

THIS DRAWING IS UNPUBLISHED.

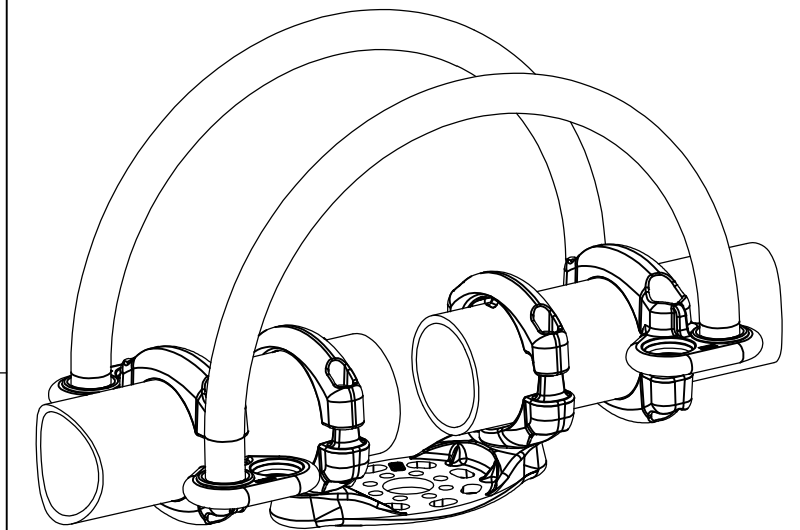
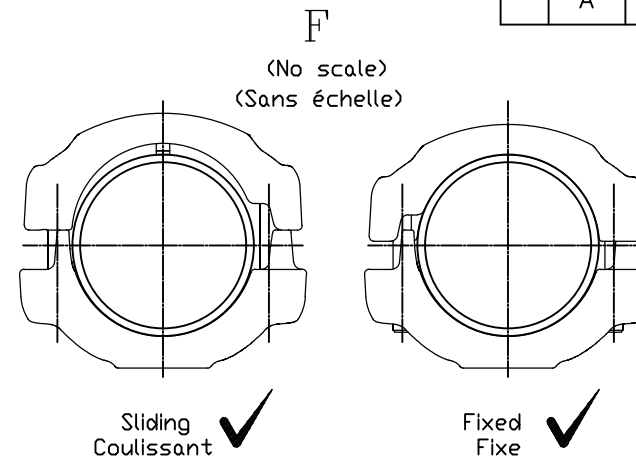
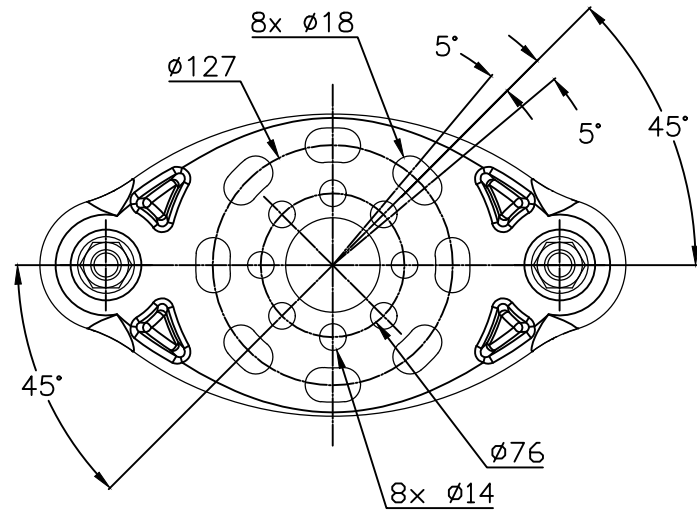
RELEASED FOR PUBLICATION

ALL RIGHTS RESERVED.

© COPYRIGHT - By -

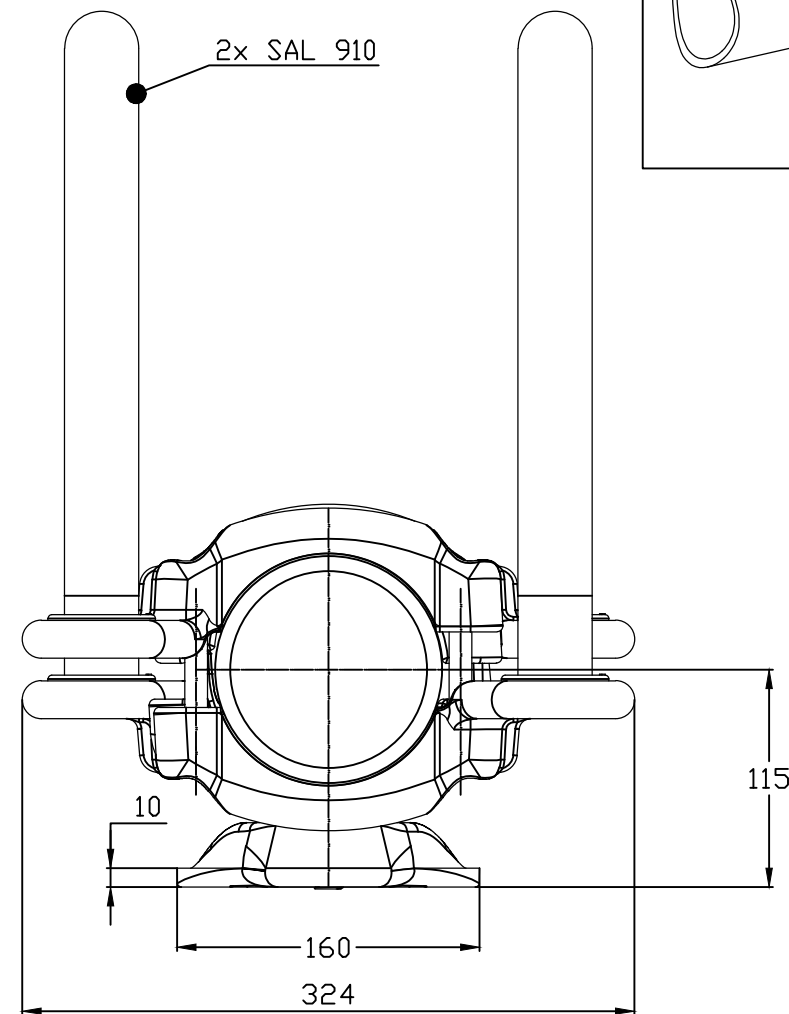
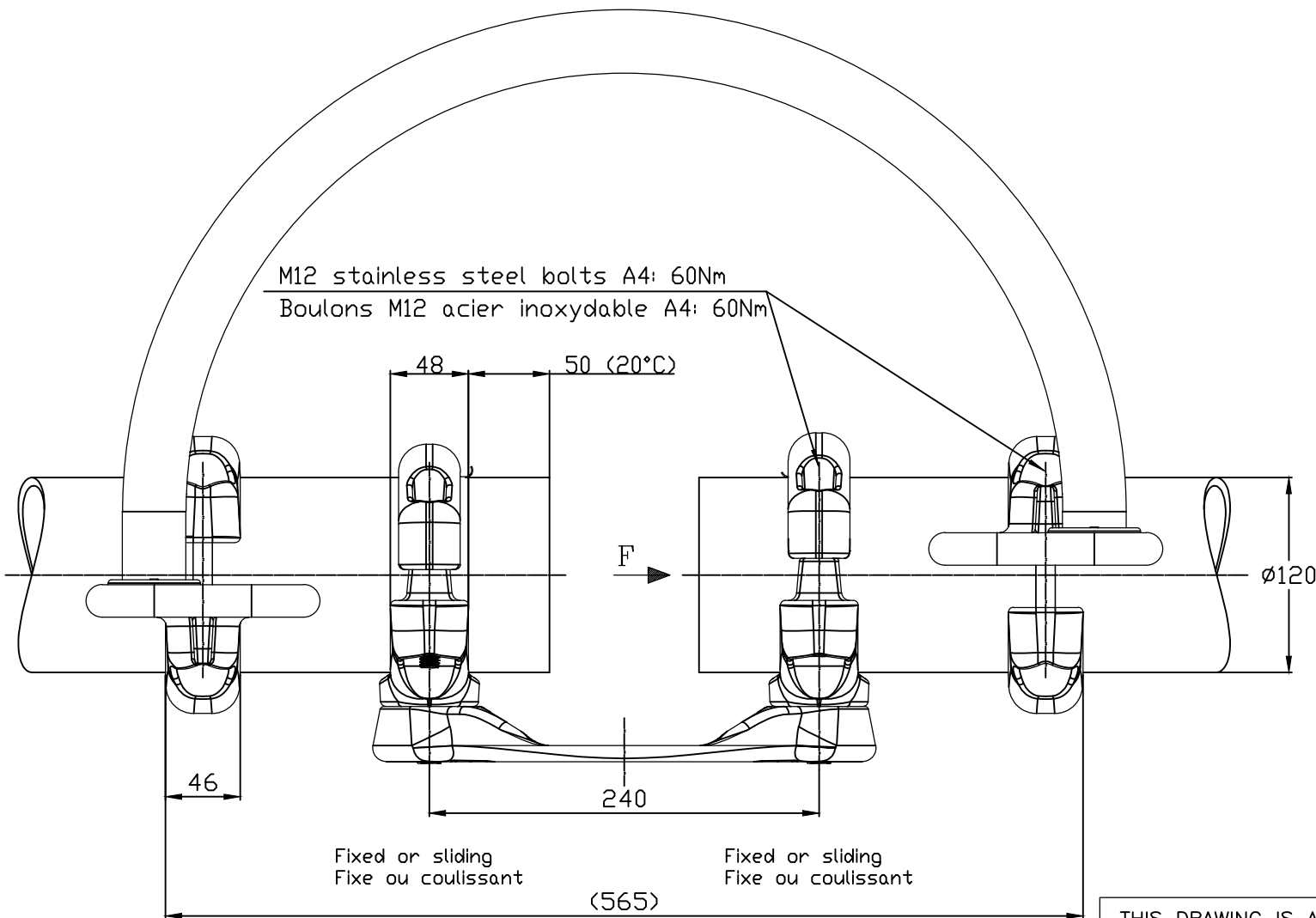
REVISIONS

P	LTR	DESCRIPTION	DATE	DWN	APVD
A	CREATION		03-JUN-19	GL	-



No scale  
Sans échelle

M12 stainless steel bolts A4: 60Nm  
Boulons M12 acier inoxydable A4: 60Nm



THIS DRAWING IS A CONTROLLED DOCUMENT.

DWN LAFORGE 03-JUN-19

CHK -

APVD -

PRODUCT SPEC

108-69094-001

APPLICATION SPEC

-

APPROX. WEIGHT 12.2 kg

CUSTOMER DRAWING



NAME FLEXIBLE JUNCTION BUSBAR SUPPORT ON BPI  
SUPPORT JONCTION SOUPLE POUR TUBE SUR ISO

5 TJL 84 P3-P5 T120 29

SIZE CAGE CODE DRAWING NO RESTRICTED TO

A3 00779 C=2357208 -

SCALE 1:4 SHEET 1 OF 1 REV A

ITEM:.....