

THIS DRAWING IS UNPUBLISHED.

RELEASED FOR PUBLICATION

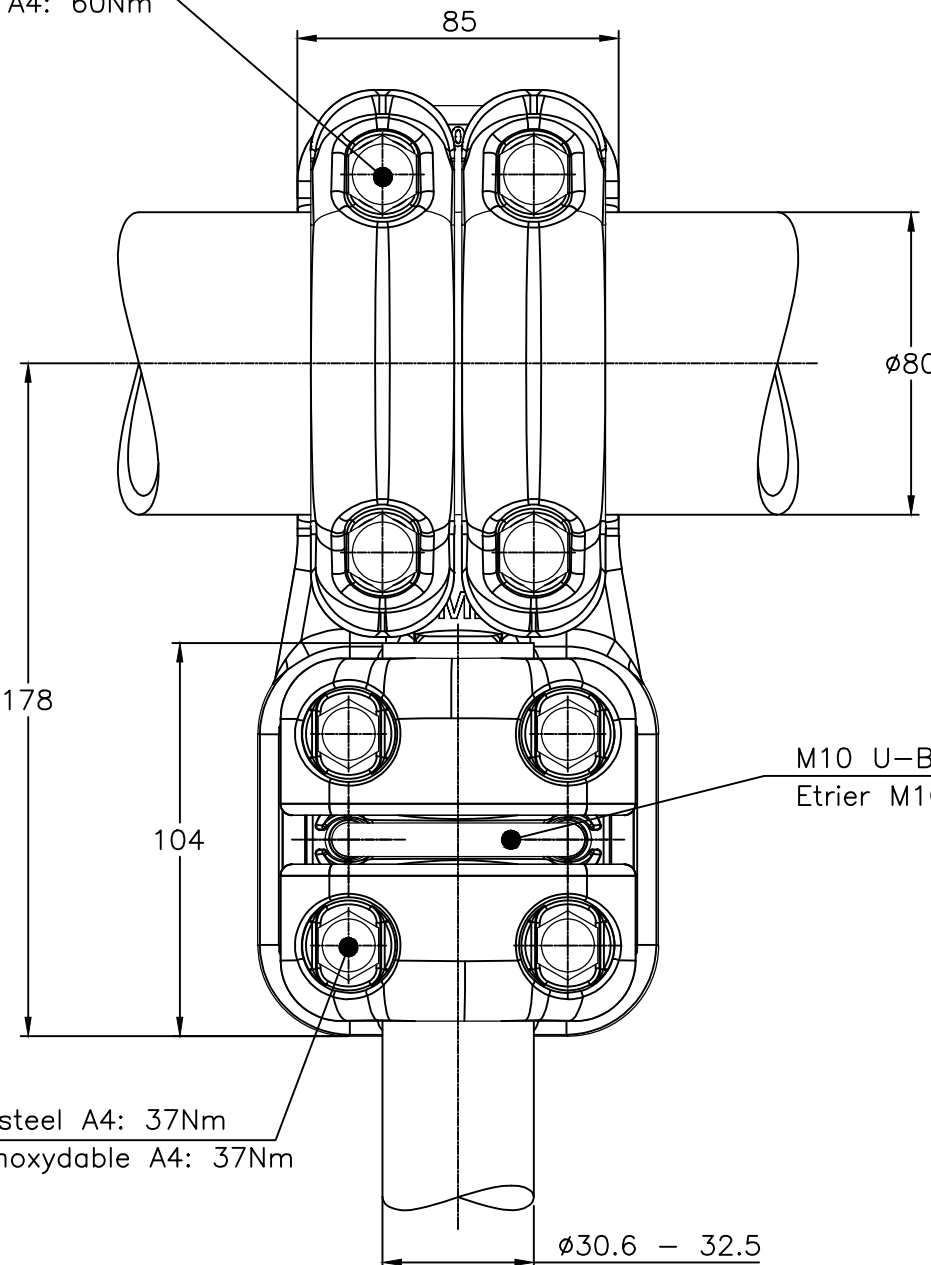
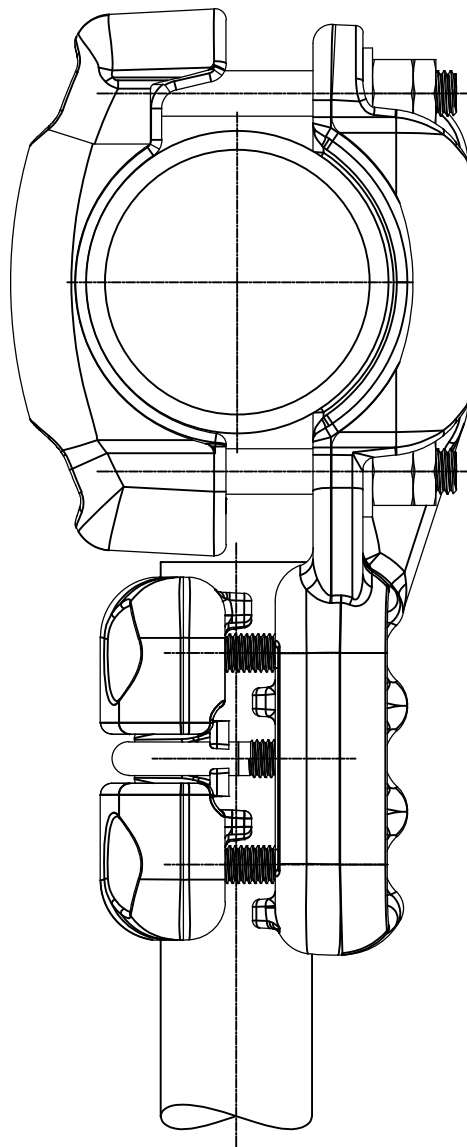
ALL RIGHTS RESERVED.

© COPYRIGHT - By -

REVISIONS

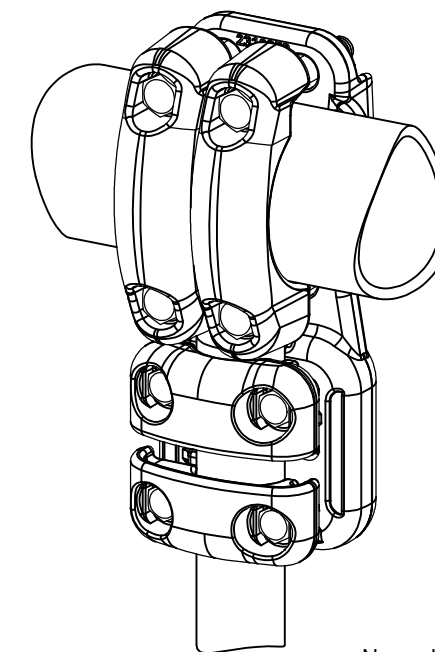
| P | LTR | DESCRIPTION | DATE | DWN | APVD |
|---|-----|-------------|-----------|-----|------|
| A | | CREATION | 03-JUN-19 | BH | - |

M12 Bolts stainless steel A4: 60Nm
Boulons M12 acier inoxydable A4: 60Nm




M10 U-Bolts stainless steel A4: 37Nm
Etrier M10 acier inoxydable A4: 37Nm

M10 Bolts stainless steel A4: 37Nm
Boulons M10 acier inoxydable A4: 37Nm



No scale - sans echelle

ITEM:.....

| | | | | | | | | | | | | | | | | | | | | |
|--|-----|--------------|---------------|--|--|------------------|-----------|-------|-----|-------|--------|-------|-----|--------|-----|---------------|--|---------|------|-----------|
| THIS DRAWING IS A CONTROLLED DOCUMENT. | | DWN HUARD | 03-JUN-19 |  TE Connectivity NAME TEE CONNECTOR RACCORD EN TE 5 MT 84 T80 MR325 | | | | | | | | | | | | | | | | |
| DIMENSIONS: mm | | CHK | - | | | APVD | - | | | | | | | | | | | | | |
| TOLERANCES UNLESS OTHERWISE SPECIFIED: | | PRODUCT SPEC | 108-69096-001 | | | APPLICATION SPEC | - | | | | | | | | | | | | | |
| <table border="0"> <tr><td>0 PLC</td><td>± -</td></tr> <tr><td>1 PLC</td><td>± -</td></tr> <tr><td>2 PLC</td><td>± -</td></tr> <tr><td>3 PLC</td><td>± -</td></tr> <tr><td>4 PLC</td><td>± -</td></tr> <tr><td>ANGLES</td><td>± -</td></tr> </table> | | 0 PLC | ± - | | | 1 PLC | ± - | 2 PLC | ± - | 3 PLC | ± - | 4 PLC | ± - | ANGLES | ± - | APPROX.WEIGHT | | 2.65 kg | SIZE | CAGE CODE |
| 0 PLC | ± - | | | | | | | | | | | | | | | | | | | |
| 1 PLC | ± - | | | | | | | | | | | | | | | | | | | |
| 2 PLC | ± - | | | | | | | | | | | | | | | | | | | |
| 3 PLC | ± - | | | | | | | | | | | | | | | | | | | |
| 4 PLC | ± - | | | | | | | | | | | | | | | | | | | |
| ANGLES | ± - | | | | | | | | | | | | | | | | | | | |
| MATERIAL | | FINISH | | CUSTOMER DRAWING | | A300779 | C=2357201 | SCALE | 1:2 | SHEET | 1 OF 1 | REV | A | | | | | | | |