

THIS DRAWING IS UNPUBLISHED.

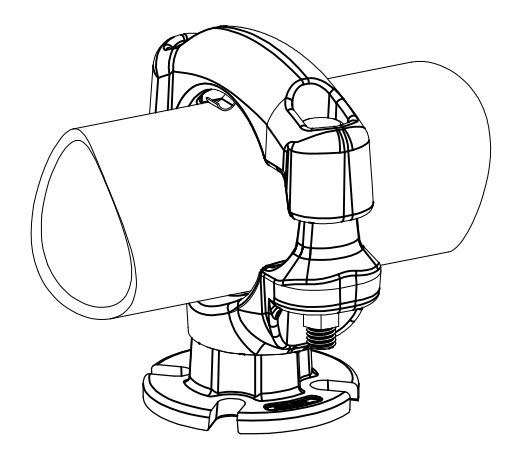
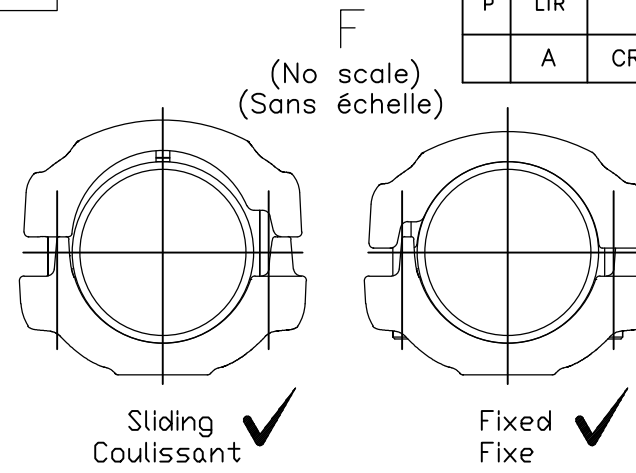
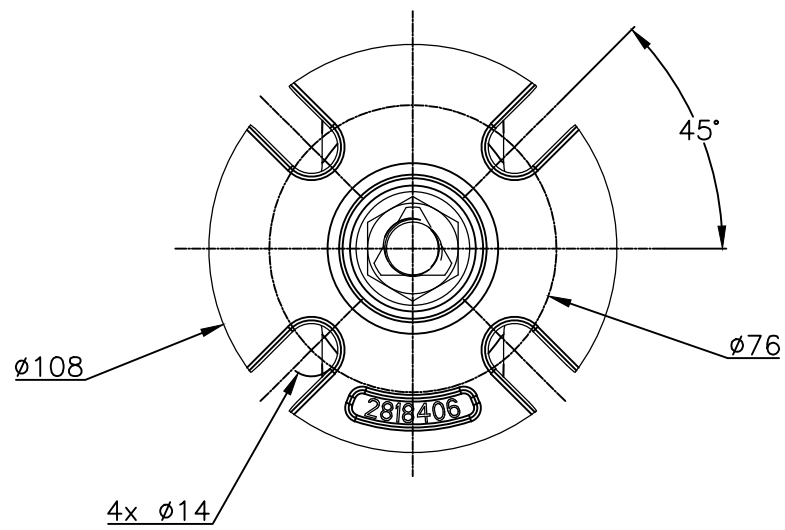
RELEASED FOR PUBLICATION

ALL RIGHTS RESERVED.

© COPYRIGHT - By -

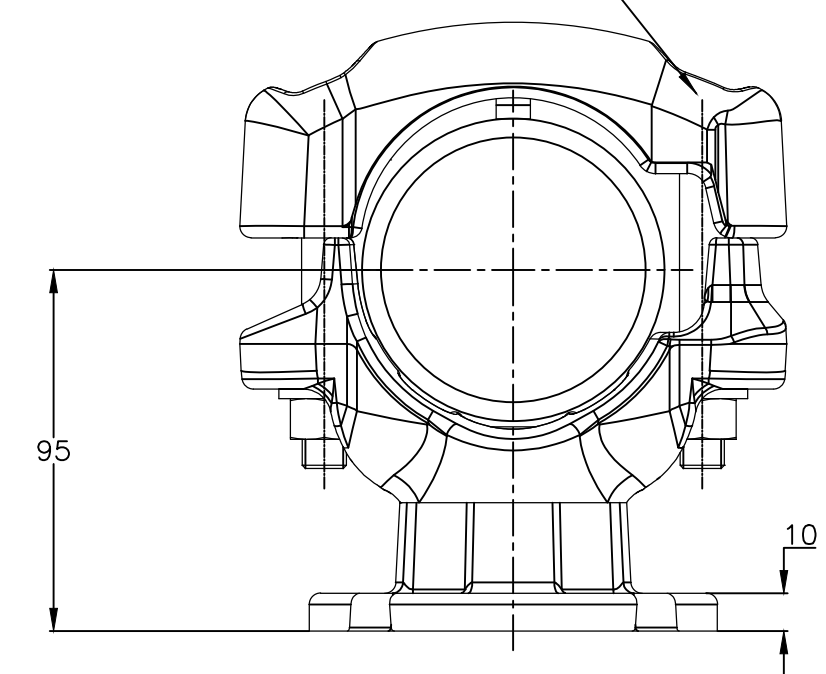
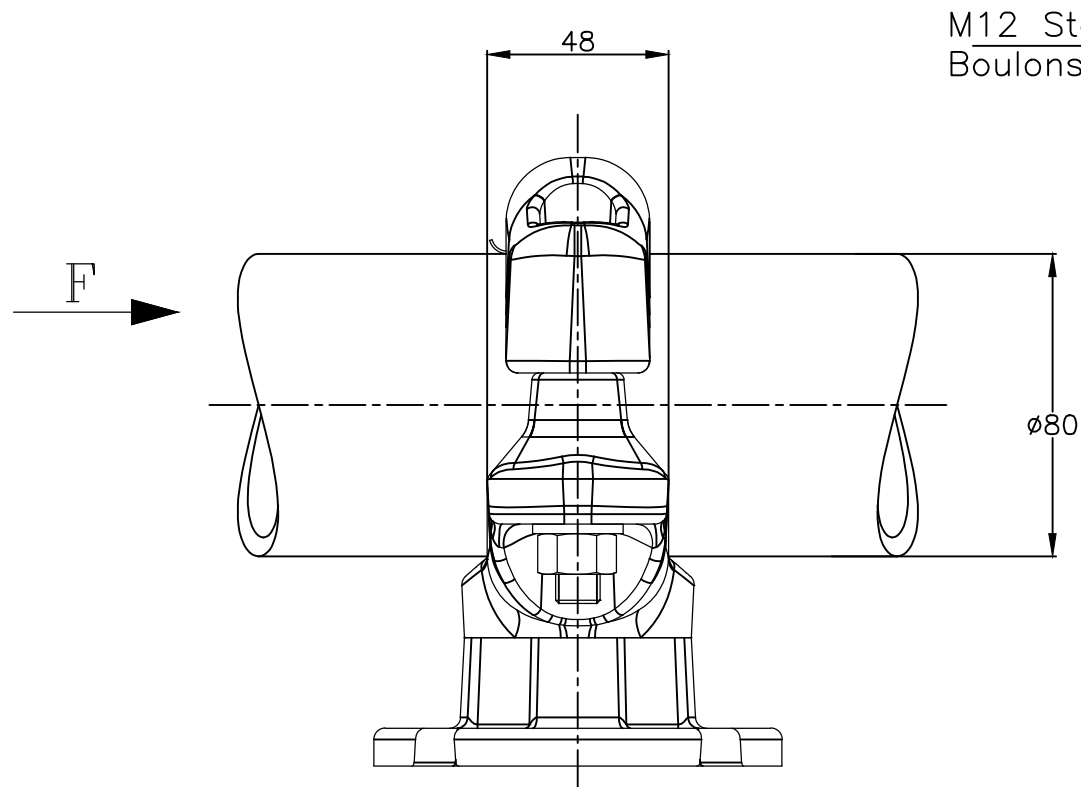
REVISIONS

P	LTR	DESCRIPTION	DATE	DWN	APVD
	A	CREATION	12-MAR-19	BH	-



No scale
Sans échelle

M12 Stainless steel bolts A2 : 60Nm
Boulons M12 Acier inoxydable A2 : 60Nm



THIS DRAWING IS A CONTROLLED DOCUMENT.		DWN	12-MAR-19		 TE Connectivity	NAME BUSBAR SUPPORT ON BPI SUPPORT TUBE SUR ISO 5 TS 82 P3 T80		RESTRICTED TO -		
DIMENSIONS: mm		CHK	-							
TOLERANCES UNLESS OTHERWISE SPECIFIED:		APVD	-							
0 PLC ± - 1 PLC ± - 2 PLC ± - 3 PLC ± - 4 PLC ± - ANGLES ± -		PRODUCT SPEC	108-69090-001							
MATERIAL		APPROX.WEIGHT		1.1 kg	SIZE	CAGE CODE	DRAWING NO	RESTRICTED TO		
-		FINISH		-	A3	00779	C=2356942	-		
CUSTOMER DRAWING					SCALE	1:2	SHEET	1 OF 1	REV	A

ITEM:.....