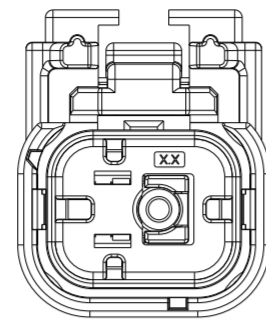


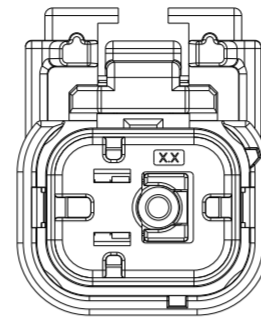
2355843-2  
AS SHOWN  
KEY CODE B

SCALE 2:1



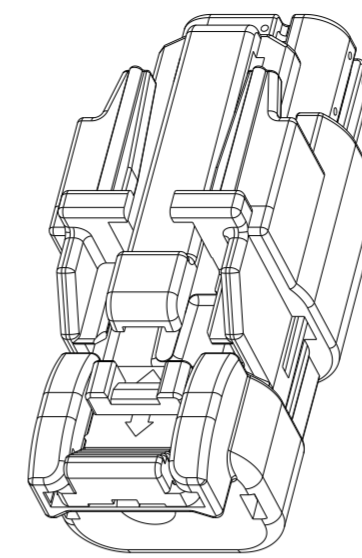
2355843-3  
AS SHOWN  
KEY CODE C

SCALE 2:1

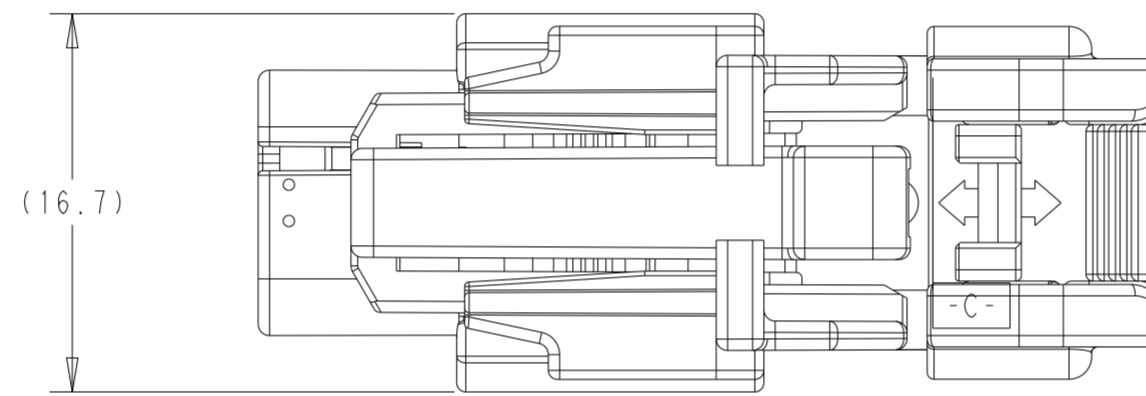


2355843-4  
AS SHOWN  
KEY CODE D

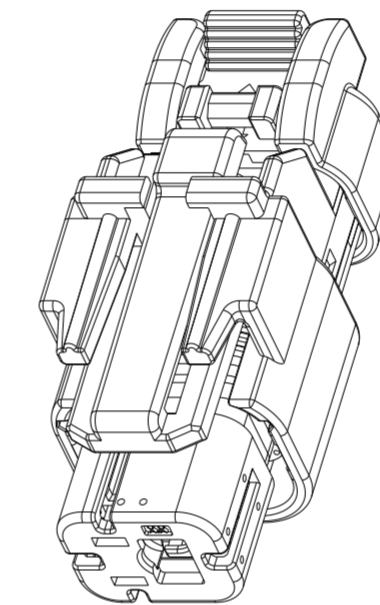
SCALE 2:1



SCALE 2:1

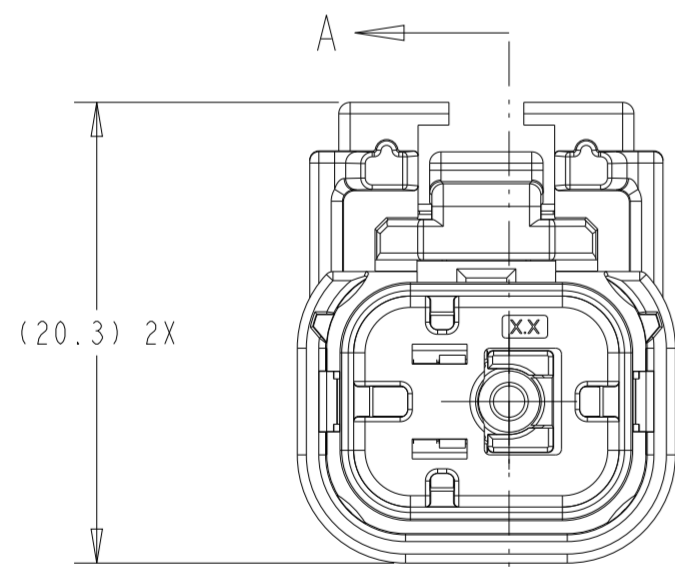


(16.7)



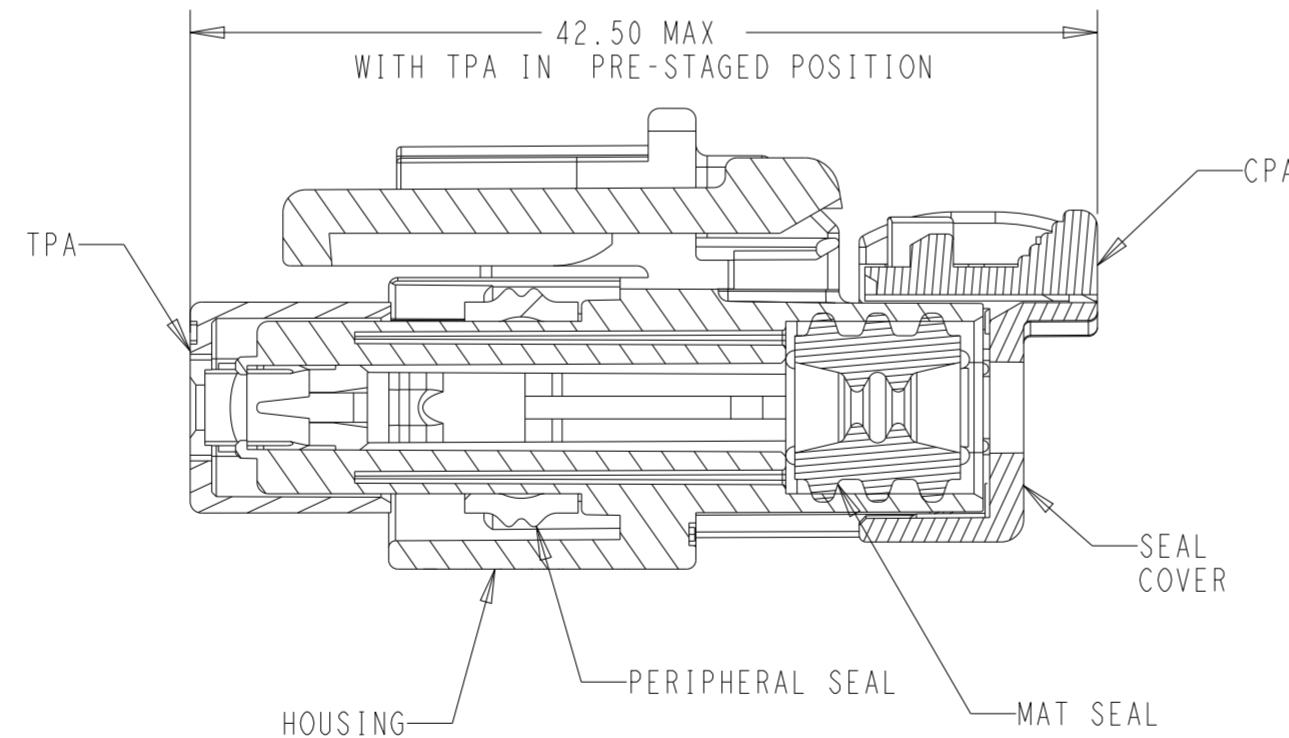
SCALE 2:1

ISOMETRIC VIEWS SHOWN FOR REFERENCE ONLY



(20.3) 2X

2355843-1  
AS SHOWN  
KEY CODE A



SECTION A-A

REVISIONS					
P	LTR	DESCRIPTION	DATE	DWN	APVD
A		RELEASE PER ECO-20-015744	5NOV2020	DFS	JB
B		RELEASE PER ECN-21-117197	10SEP2021	DFS	JB

NOTES:

1. MATERIALS:

PLUG HOUSING:  
GENERIC TYPE = 15% GF PBT  
COLOR = SEE TABLE

PERIPHERAL SEAL:  
GENERIC TYPE = SILICONE RUBBER  
COLOR = RUST RED

MAT SEAL:  
GENERIC TYPE: SILICONE RUBBER  
COLOR = GREEN

SEAL COVER:  
GENERIC TYPE = 15% GF PBT  
COLOR = BLACK

PLUG TPA:  
GENERIC TYPE = 15% GF PBT  
COLOR = BLACK

PLUG CPA:  
GENERIC TYPE = 15% GF PBT  
COLOR = RED

2 NOT TOOLED FOR PRODUCTION

3. APPLICABLE INTERFACE DRAWING: 208-160011

4. TPA SHOWN IN THE PRE-STAGED (AS SHIPPED) POSITION.

5. MAT SEAL TO ACCOMODATE WIRE INSULATION O.D. RANGE OF 2.18mm TO 3.81mm.

6. REFER TO AS16 COAX PRODUCT GROUP DRAWING: 2381263 FOR INFORMATION REGARDING MATING COMPONENTS, ACCESSORIES, AND APPLICATION TOOLING.

2	BEIGE	2355843-4
2	SIGNAL BLUE	2355843-3
2	CLARET VIOLET	2355843-2
	WATER BLUE	2355843-1
	HOUSING COLOR	PART NUMBER

THIS DRAWING IS A CONTROLLED DOCUMENT.		DWN	05NOV2019	TE Connectivity	
DIMENSIONS:		CHK	08NOV2019		
mm		K	DOLL		
		APVD	08NOV2019		
TOLERANCES UNLESS OTHERWISE SPECIFIED:		A. ALWISHAH		NAME	
0 PLC	±	108-94799		1POS, COAX, SOC HSG ASSY, SLD	
1 PLC	±	APPLICATION SPEC		AS16 COAX	
2 PLC	±	114-94667		SIZE	A2
3 PLC	±	WEIGHT		CAGE CODE	-
4 PLC	±	6.49 g		DRAWING NO	C-2355843-C
ANGLES	±	CUSTOMER DRAWING		RESTRICTED TO	-
FINISH	-	SCALE		2:1	SHEET
	-	SHEET		1	OF
		REV		B	