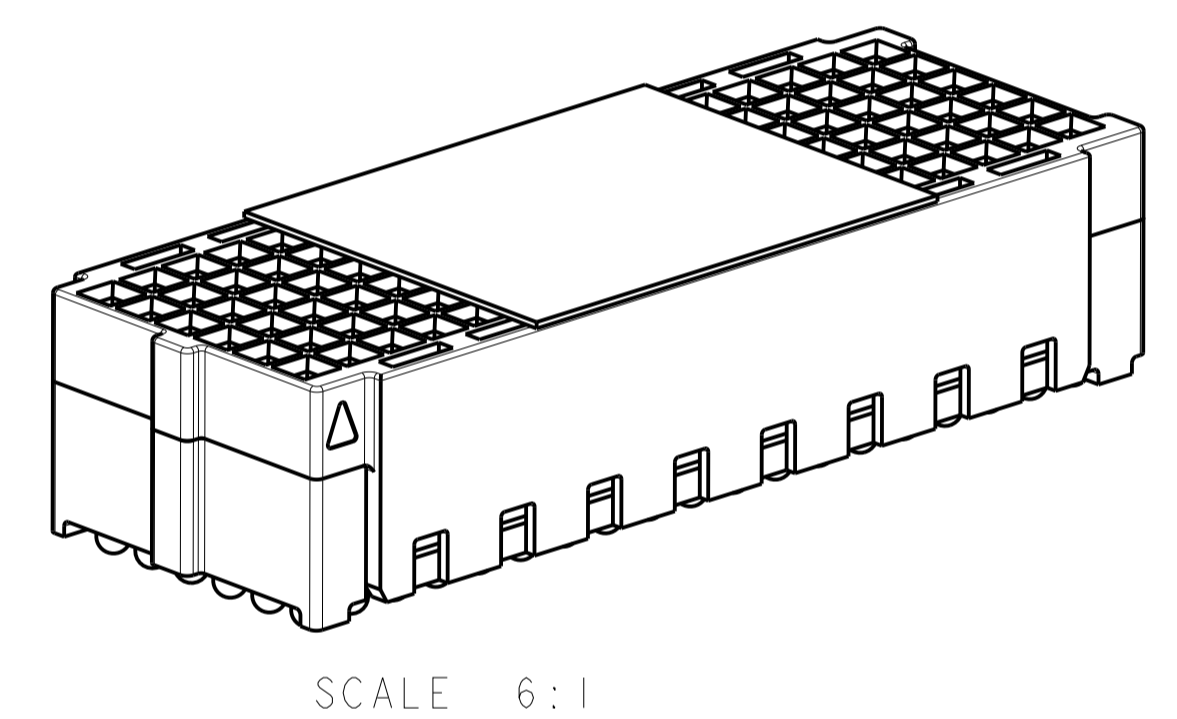
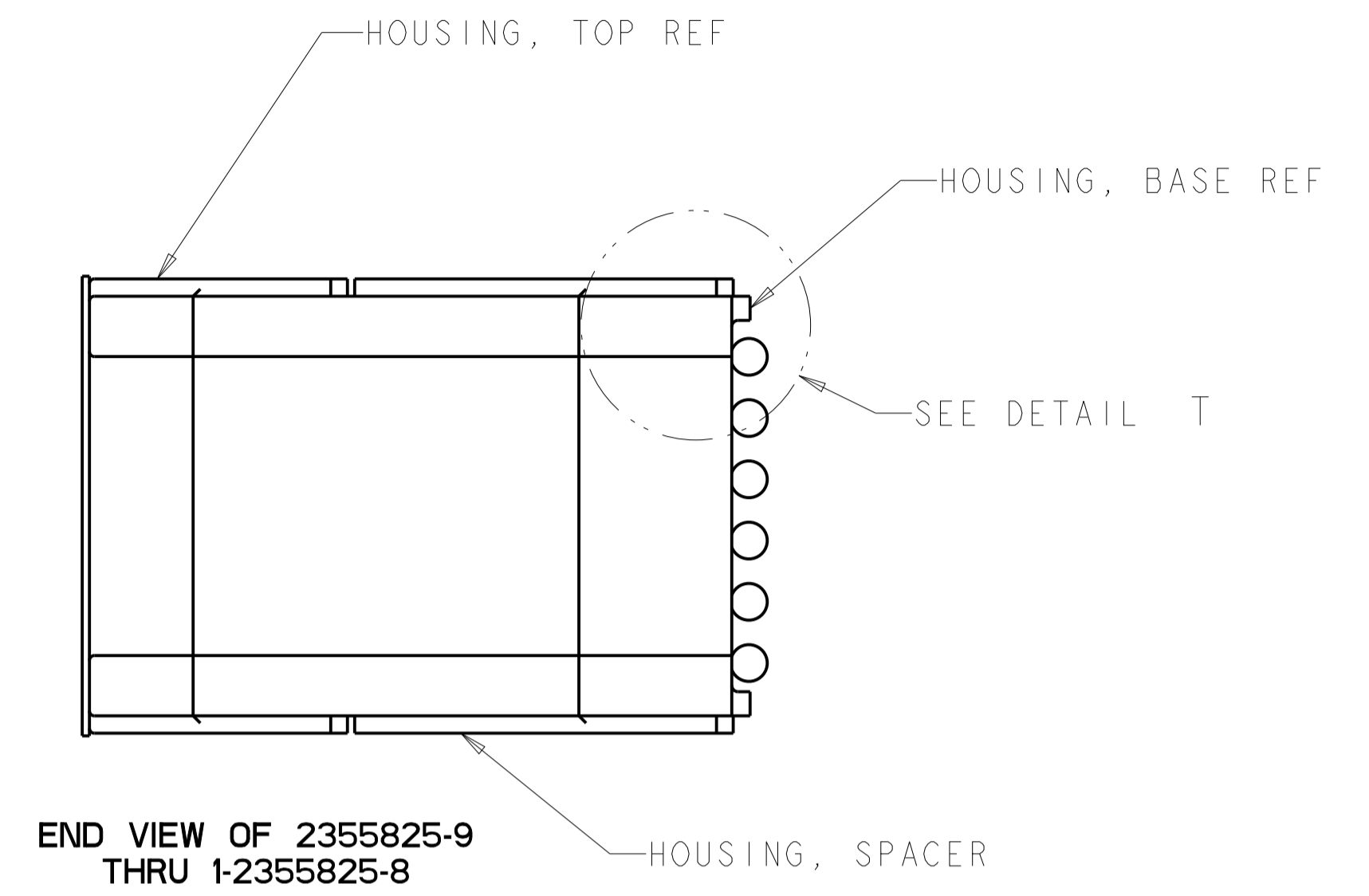
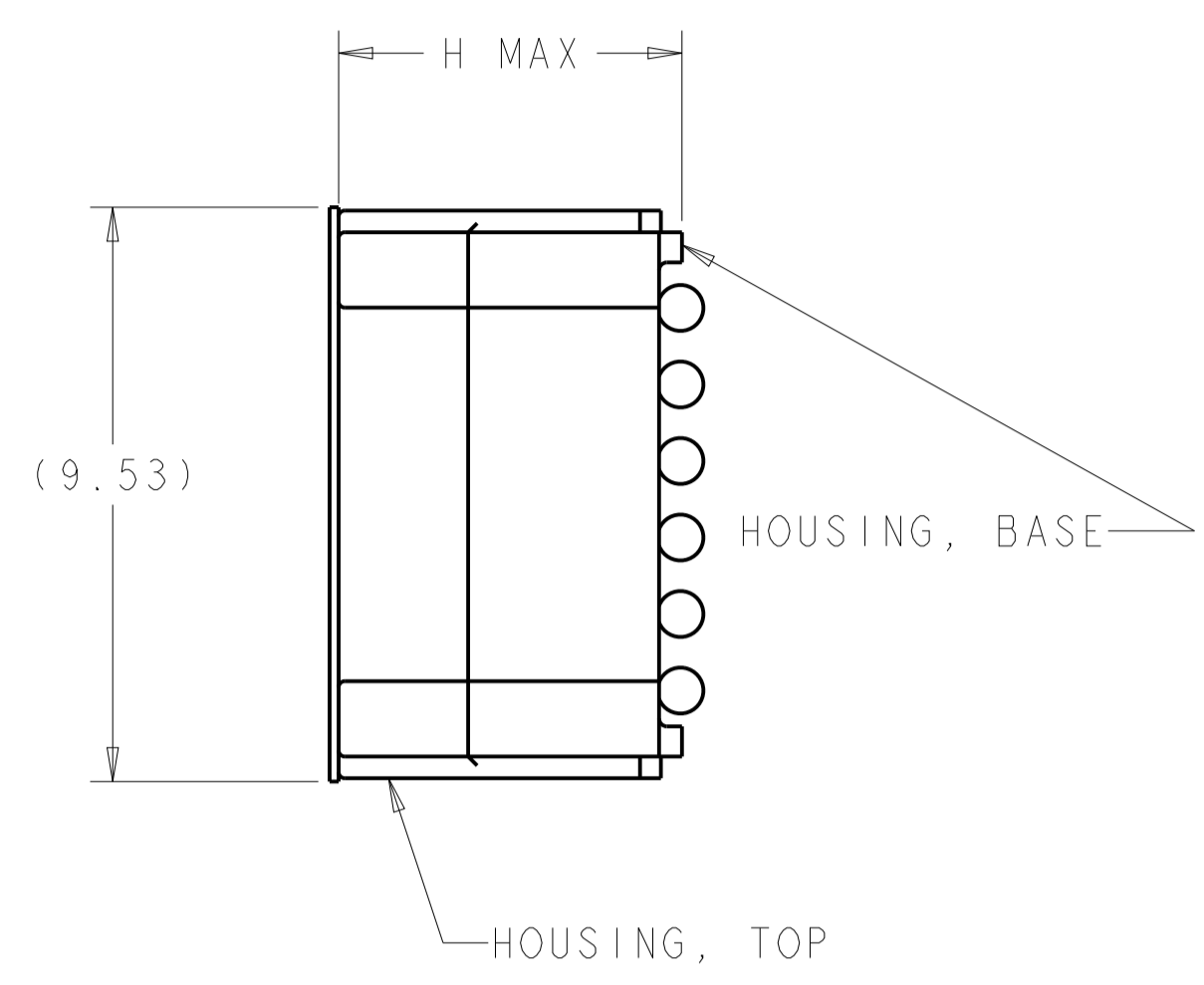
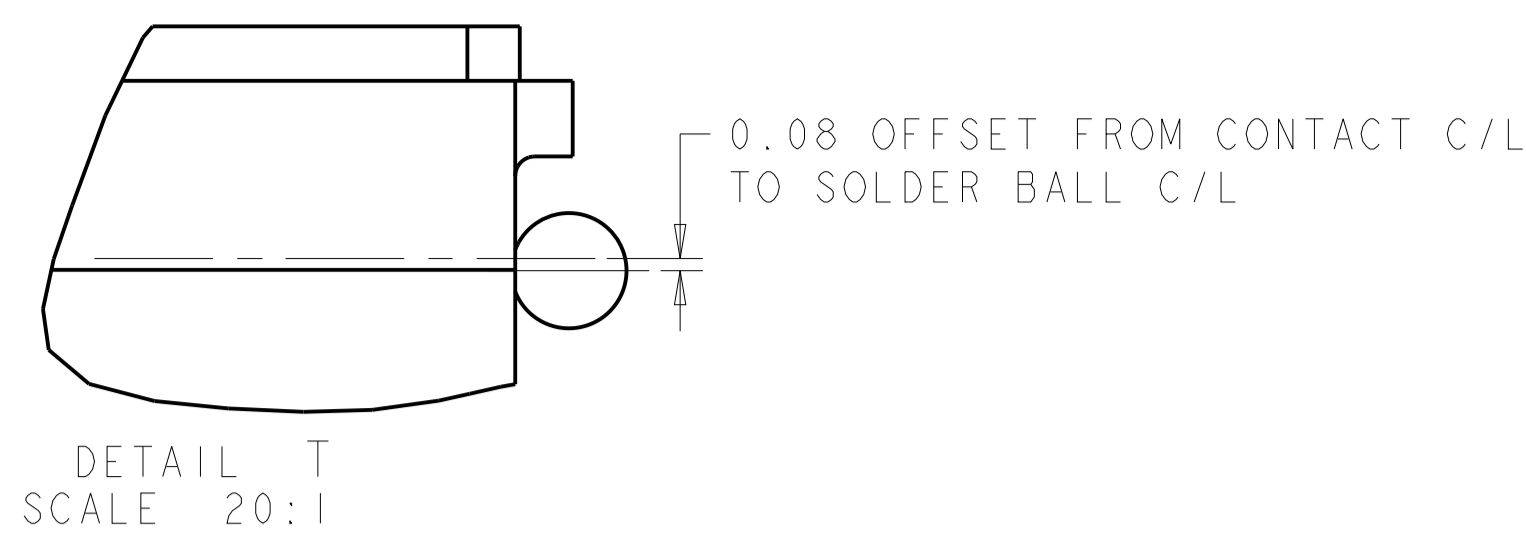
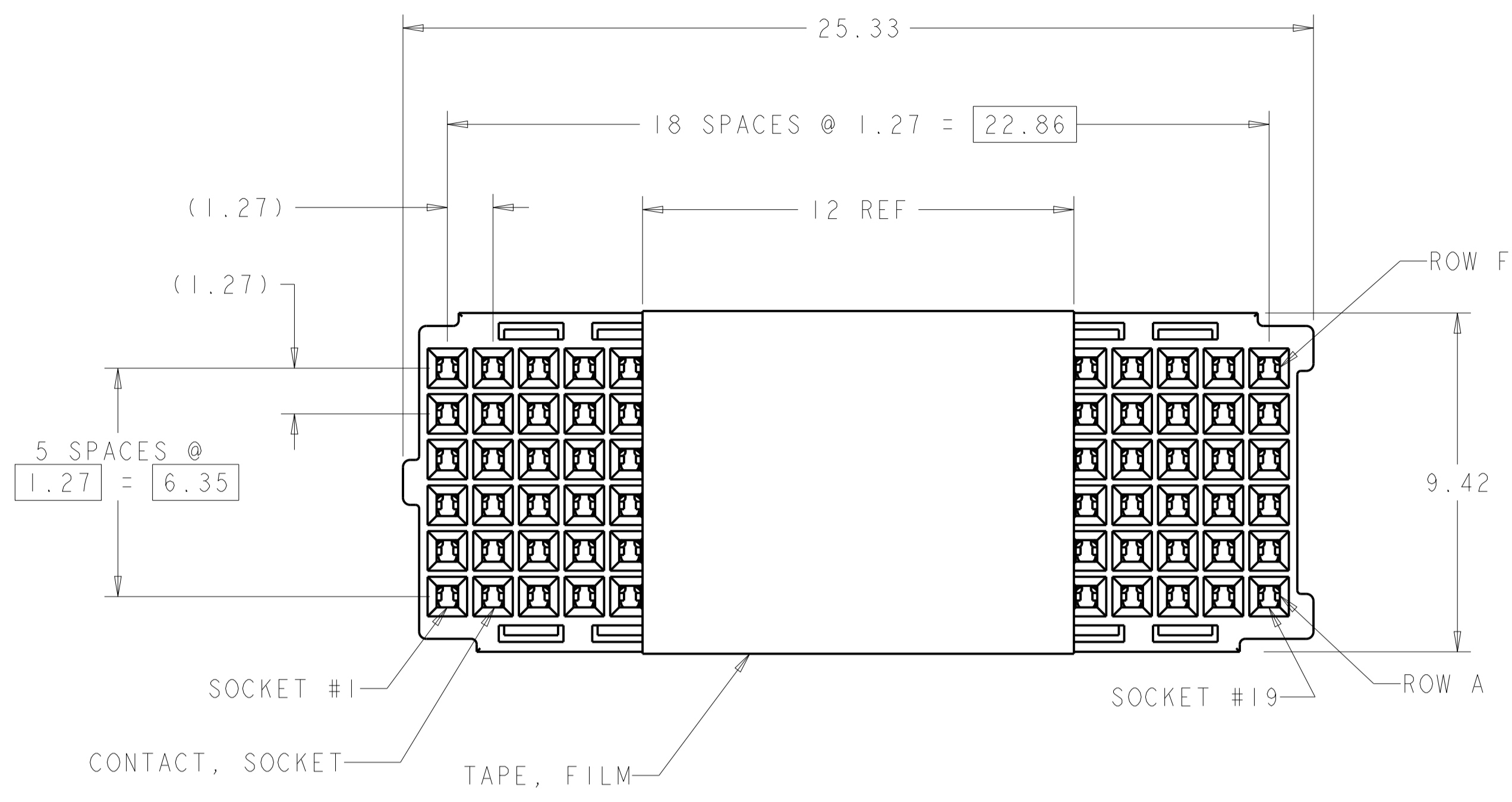
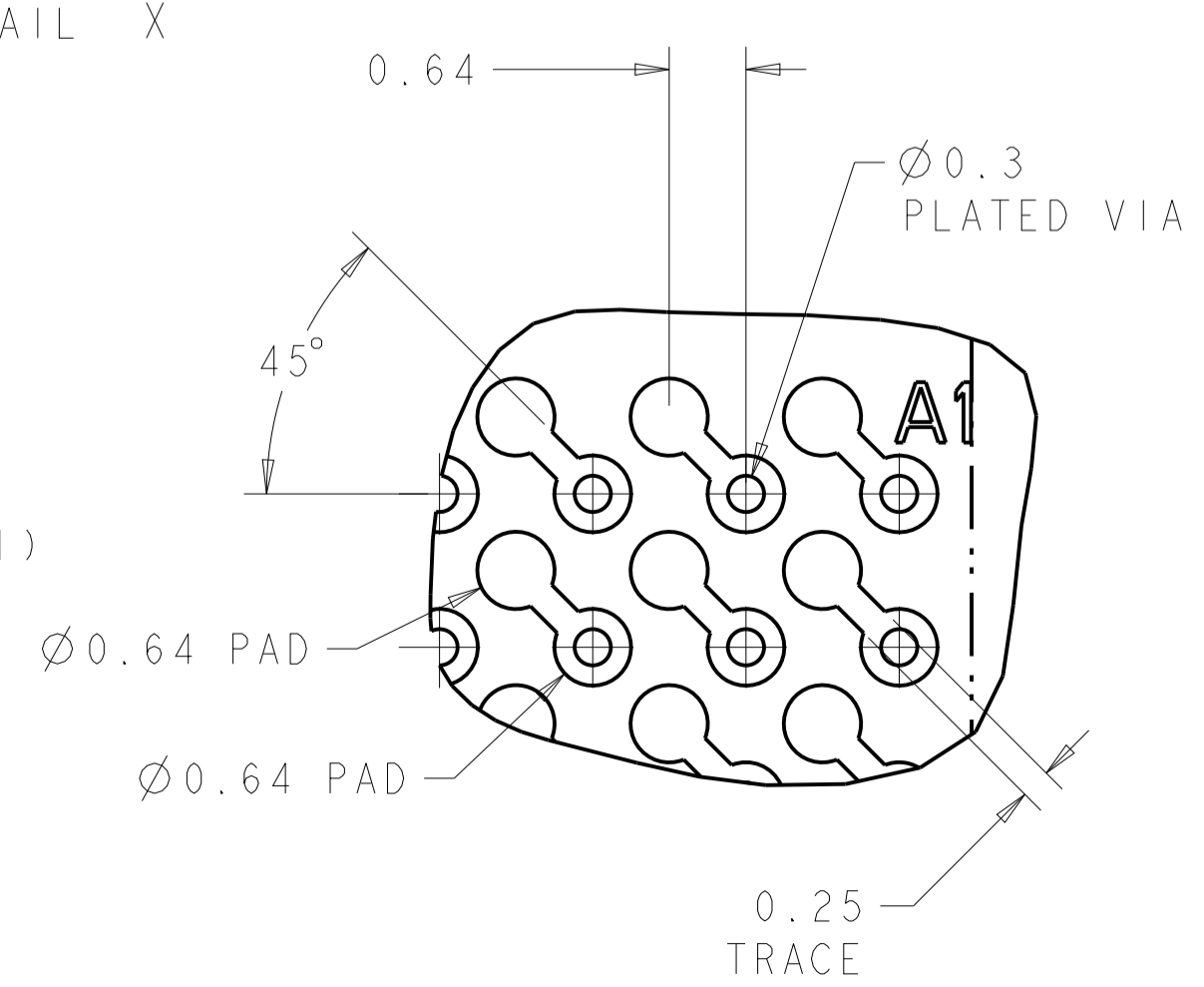
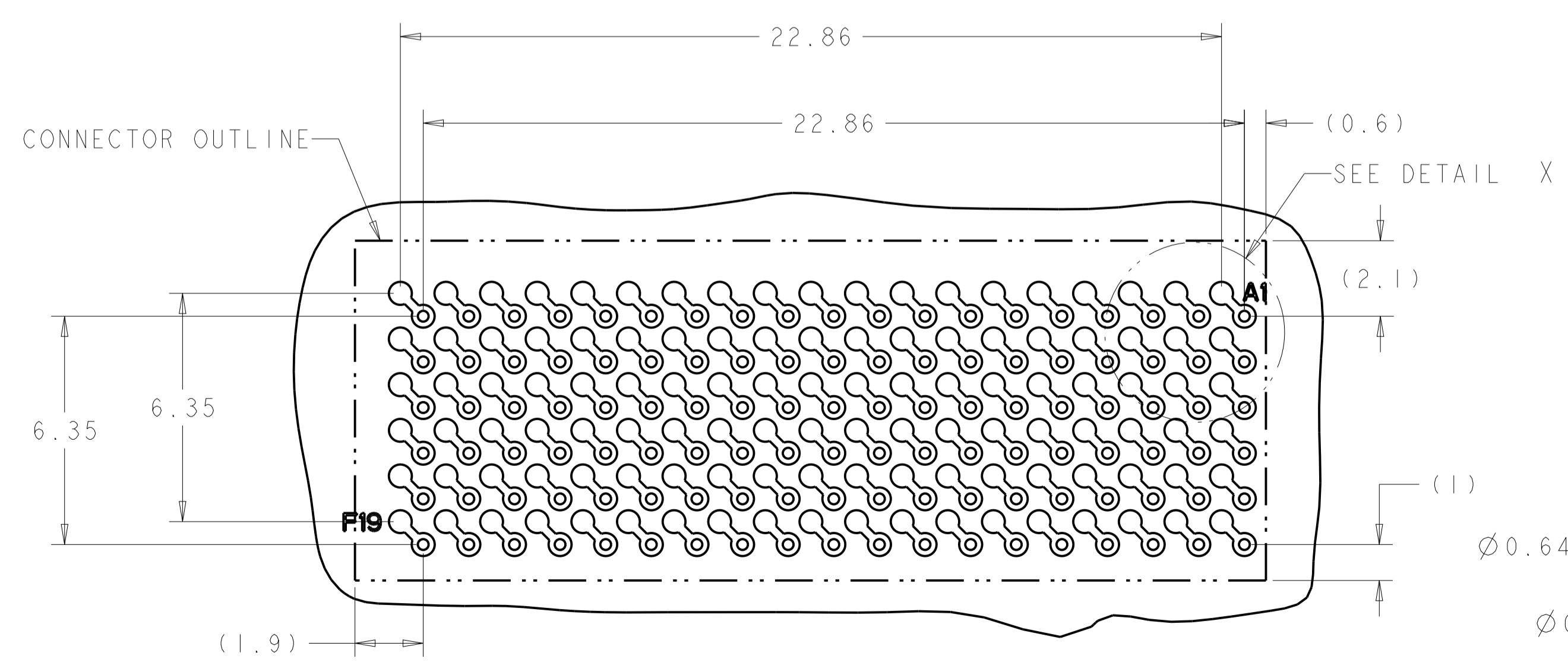
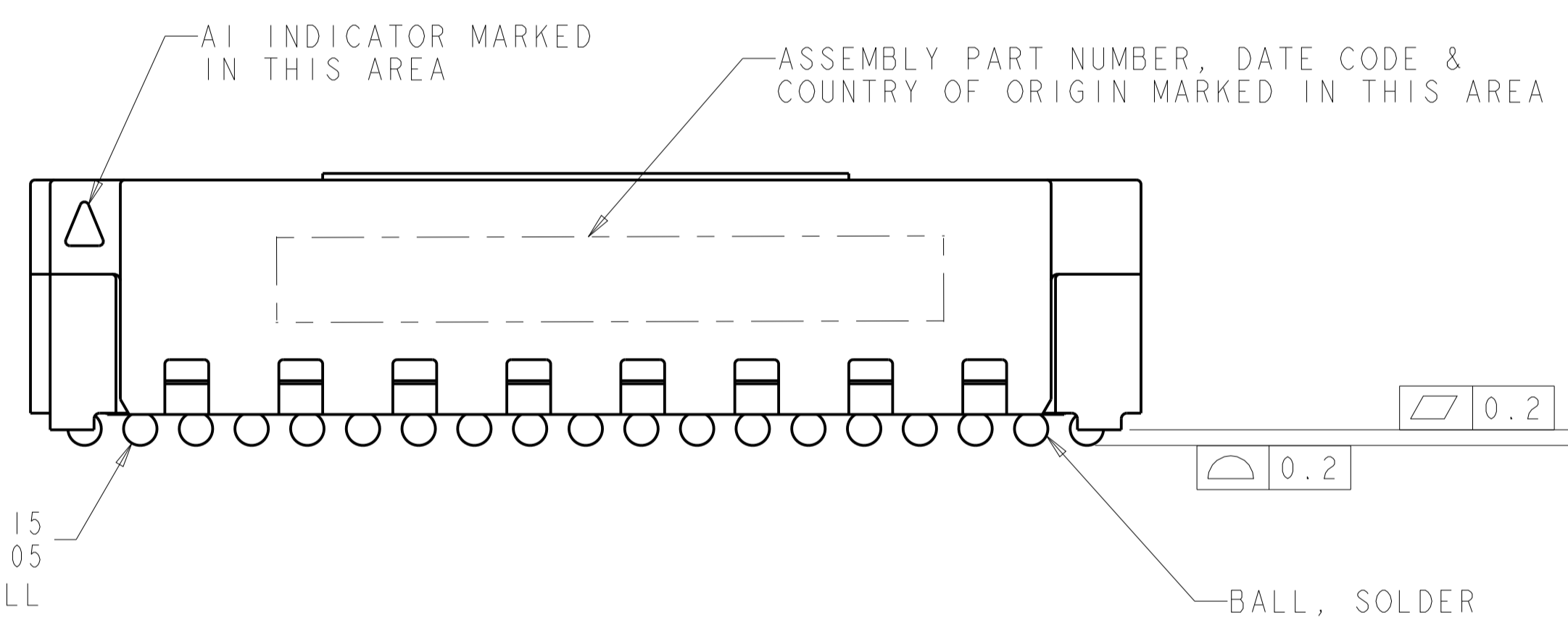


| REVISIONS | | | | |
|-----------|------|----------------------------|-----------|-------|
| P. | LTN. | DESCRIPTION | DATE | APVD. |
| A | | RELEASED PER ECO-21-003568 | 16MAR2021 | KM CG |



- ⚠ MATERIAL: HOUSINGS; LCP, COLOR-NATURAL CONTACT; BERYLLIUM COPPER SOLDER BALL; SEE TABLE TAPE, FILM; KAPTON WITH SILICON ADHESIVE
- ⚠ FINISH: CONTACT; GOLD (SEE TABLE) ON MATING AREA OVER NICKEL ON ENTIRE CONTACT.
- 3. PRODUCT IS PACKAGED ON TAPE AND REELED.
- ⚠ DIAGRAM REPRESENTS THE DE-REELING DIRECTION OF THE PACKAGED CONNECTORS.



| MATING PART NUMBER | T | MATED STACK HEIGHT (mm) | GOLD PLATING THICKNESS | H MAX REF | SOLDER BALL MATERIAL | PART NUMBER |
|--------------------|----|-------------------------|------------------------|-----------|----------------------|-------------|
| 2102060-2 | 24 | 17 | 1.27 μ m | 13 | LEAD FREE PER SAC405 | 1-2355825-8 |
| 2102060-1 | 24 | 17 | 1.27 μ m | 13 | TIN LEAD | 1-2355825-7 |
| 2102060-2 | 24 | 18 | 1.27 μ m | 14 | LEAD FREE PER SAC405 | 1-2355825-0 |
| 2102060-1 | 24 | 18 | 1.27 μ m | 14 | TIN LEAD | 2355825-9 |
| 2102060-2 | 20 | 12 | 1.27 μ m | 8 | LEAD FREE PER SAC405 | 2355825-4 |
| 2102060-1 | 20 | 12 | 1.27 μ m | 8 | TIN LEAD | 2355825-3 |
| 2102060-2 | 20 | 10 | 1.27 μ m | 6 | LEAD FREE PER SAC405 | 2355825-2 |
| 2102060-1 | 20 | 10 | 1.27 μ m | 6 | TIN LEAD | 2355825-1 |

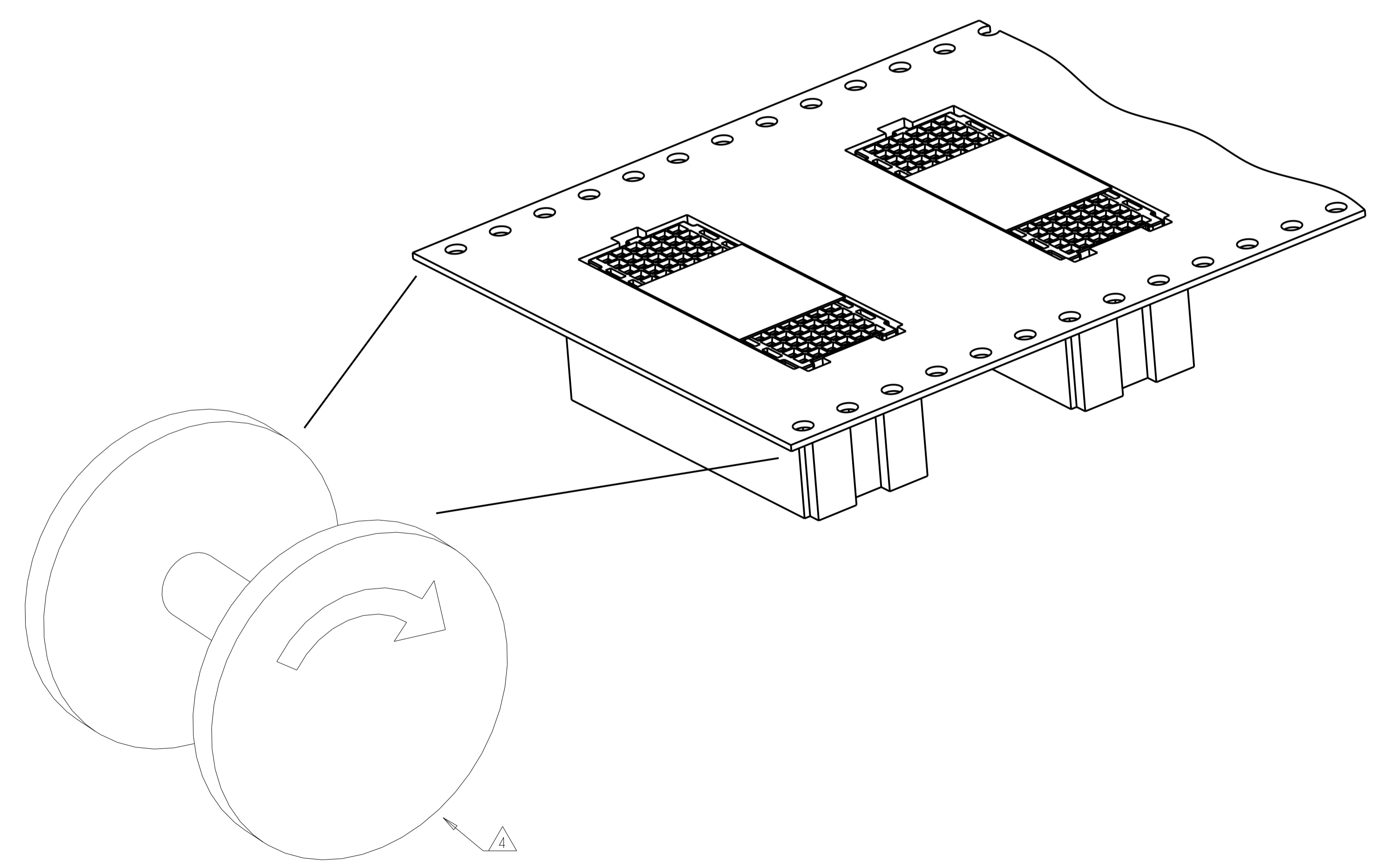
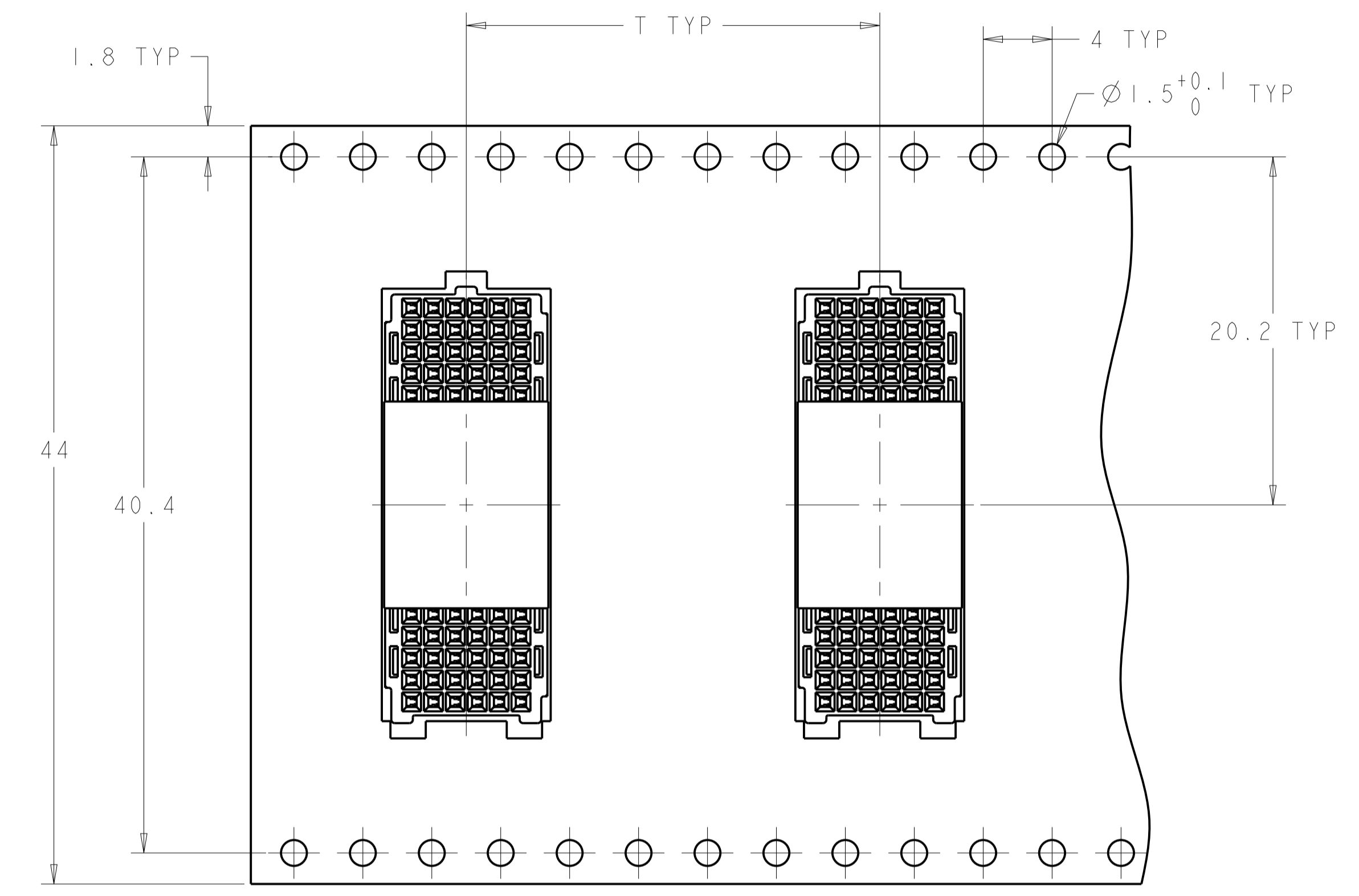
THIS DRAWING IS A CONTROLLED DOCUMENT. DWN: H. MILLER 18DEC2019. CHK: C. GINGRICH 18DEC2019. APVD: K. THACKSTON 16MAR2021. PRODUCT SPEC: 108-160206. APPLICATION SPEC: 114-13279. WEIGHT: -. CUSTOMER DRAWING. SCALE: 8:1. SHEET: 1 OF 2. REV: A.

STE TE Connectivity

ASSEMBLY, SOCKET, 114 POSITION, MEZALOK STACKING CONNECTOR, LOW-FORCE

A100779C=2355825

| REVISIONS | | | | |
|-----------|-----|-------------|------|------|
| P. | LTN | DESCRIPTION | DATE | APVD |
| - | - | SEE SHEET 1 | - | - |
| | | | | |
| | | | | |



| | | | |
|--|-------|------------------------------|---|
| THIS DRAWING IS A CONTROLLED DOCUMENT. | | DWN: K. MILLER 18DEC2019 | TE Connectivity |
| DIMENSIONS: mm | | CHK: C. GINGRICH 18DEC2019 | |
| TOLERANCES UNLESS OTHERWISE SPECIFIED: | | APVD: K. THACKSTON 16MAR2021 | NAME: ASSEMBLY, SOCKET, 114 POSITION, MEZALOK STACKING CONNECTOR, LOW-FORCE |
| 0 PLC | ± | PRODUCT SPEC | SIZE: 114-13279 |
| 1 PLC | ± | 108-160206 | CAGE CODE: A100779 |
| 2 PLC | ±0.13 | APPLICATION SPEC | DRAWING NO: C=2355825 |
| 3 PLC | ± | WEIGHT | RESTRICTED TO |
| 4 PLC | ± | CUSTOMER DRAWING | SCALE: 8:1 |
| ANGLES | ± | | SHEET: 2 OF 2 |
| FINISH | - | | REV: A |