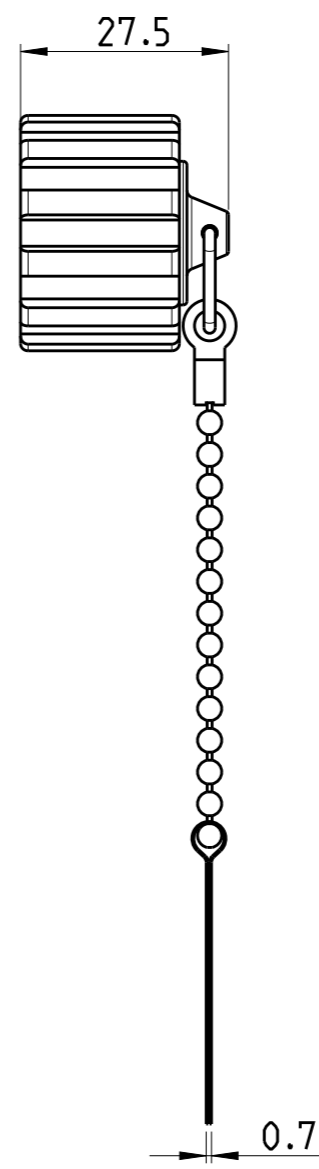
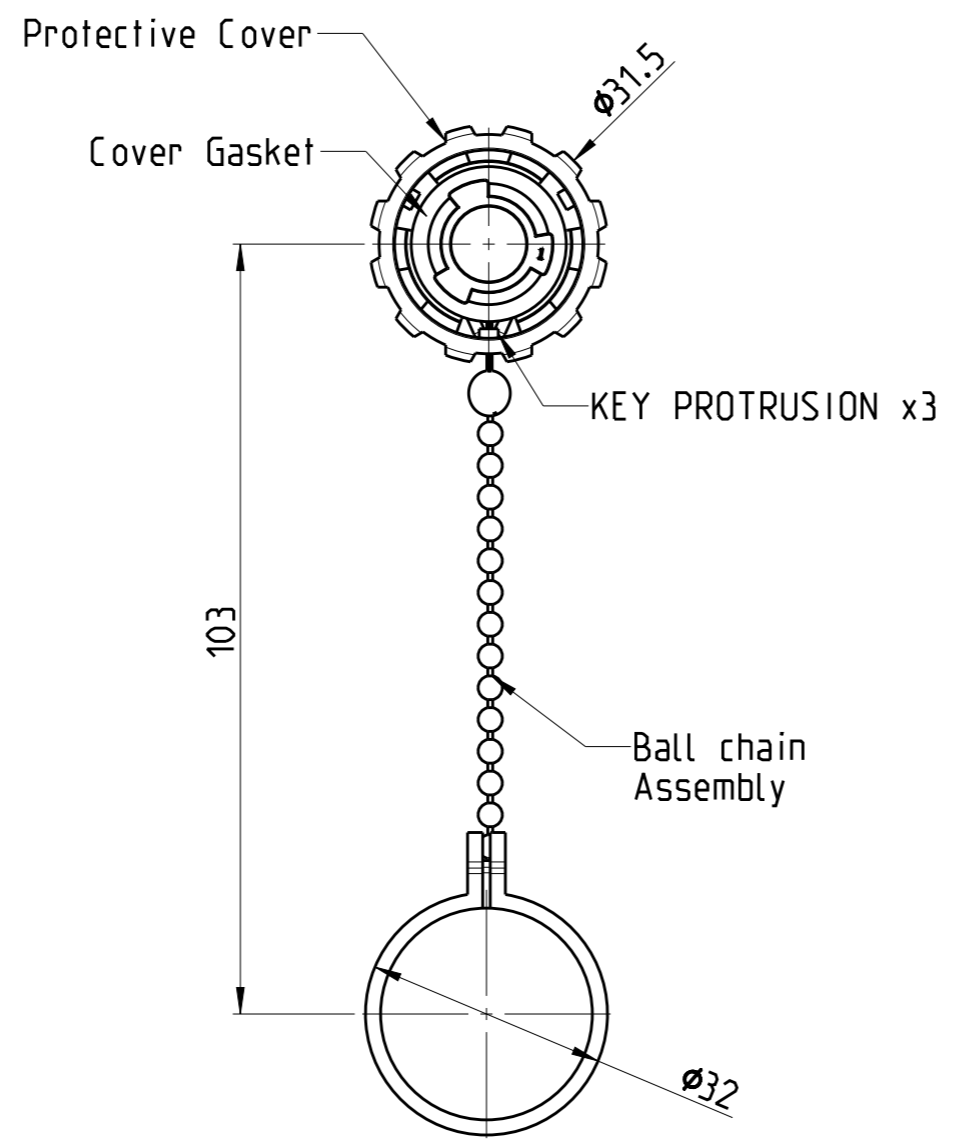


P	LTR	DESCRIPTION	DATE	DWN	APVD
A		INITIAL RELEASE	19APR2019	SS	KMA
B		ECR-19-018070	18NOV2019	SS	JK



2355444-1 AS SHOWN

Notes:

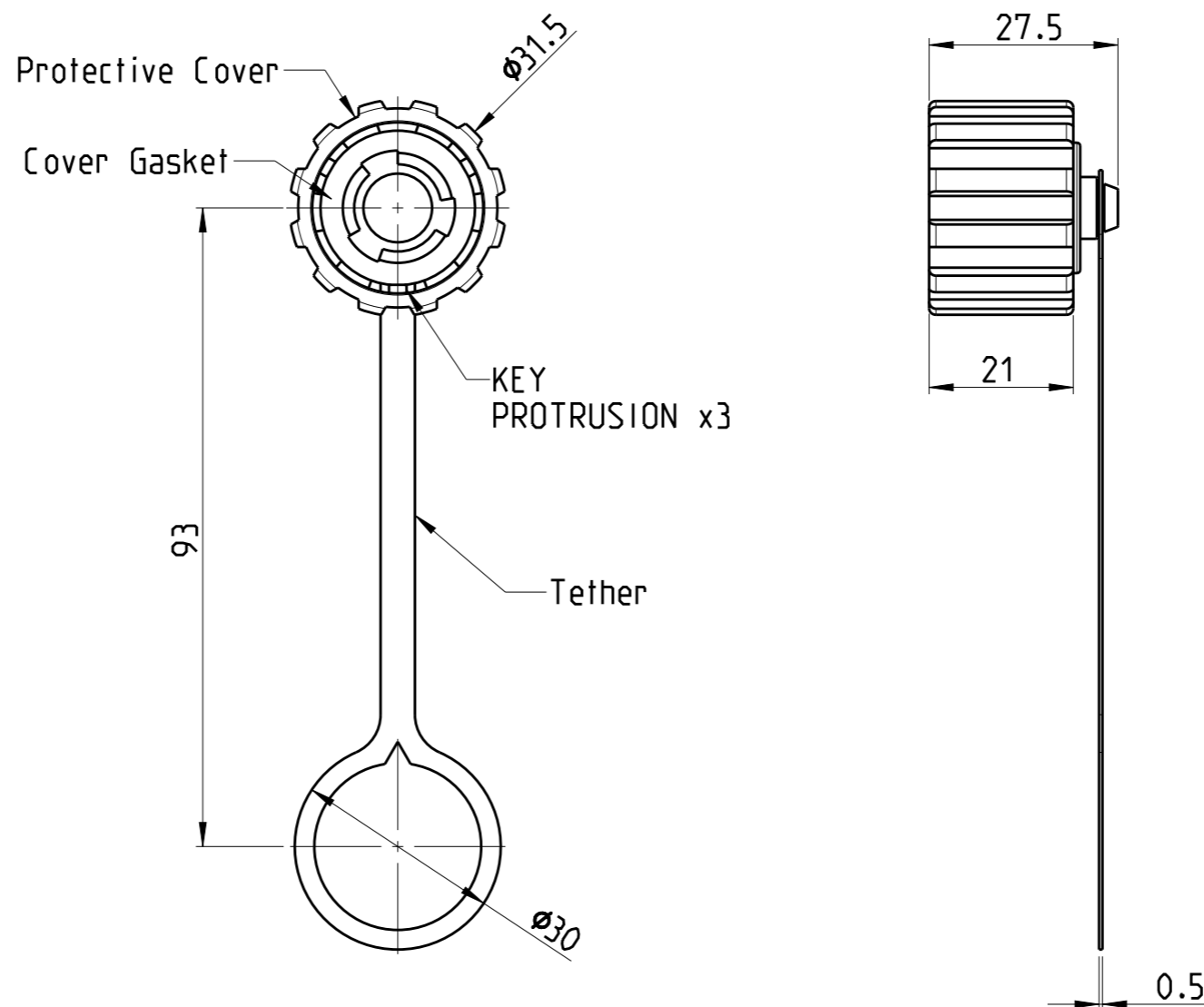
1. Material and Finish:
  - Protective Cover: Zinc Die-Cast, Nickel Plated
  - Cover Gasket: Silicon, Color: Transparent
  - Ball Chain Assembly, Copper Alloy and Stainless steel, Nickel Plated
2. Operating Temperature: -40°C to +85°C
3. IP67 rated when fully mated with the appropriate connector
4. RoHS compliant
5. Packaging Spec: 107-19763
6. Material and Finish:
  - Protective Cover: PBT UL 94 V-0, black
  - Cover Gasket: Silicon, Color: Transparent
  - Tether: PE black

E81956	6	2355444-2
E81956	1	2355444-1
UL NO.	MATERIAL	TEPN

THIS DRAWING IS A CONTROLLED DOCUMENT.		DWN S.SHARMA 19APR2019		
		CHK K.MALCZYK 24APR2019		
		APVD J.de BRULIN 24APR2019	NAME PROTECTIVE COVER ASSEMBLY KIT	
DIMENSIONS: mm 		PRODUCT SPEC -	RESTRICTED TO -	
TOLERANCES UNLESS OTHERWISE SPECIFIED: 0 PLC ±0.50 1 PLC ±0.38 2 PLC ±0.25 3 PLC ±0.10 4 PLC ANGLES ±3°		APPLICATION SPEC 114-19162	SIZE A3	CAGE CODE 00779
MATERIAL SEE TABLE		WEIGHT -	DRAWING NO C-2355444	
FINISH SEE TABLE		CUSTOMER DRAWING	SCALE 1:1	SHEET 1 OF 2
				REV B

REVISIONS

P	LTR	DESCRIPTION	DATE	DWN	APVD
-		SEE SHEET 1	-	-	-



2355444-2 AS SHOWN

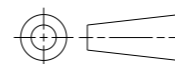
THIS DRAWING IS A CONTROLLED DOCUMENT.

DWN S.SHARMA 19APR2019  
 CHK K.MALCZYK 24APR2019  
 APVD J.de BRULIN 24APR2019



DIMENSIONS:  
mm

TOLERANCES UNLESS OTHERWISE SPECIFIED:



0 PLC ±0.50  
 1 PLC ±0.38  
 2 PLC ±0.25  
 3 PLC ±0.10  
 4 PLC ANGLES ± 3°

MATERIAL  
SEE TABLE

FINISH  
SEE TABLE

PRODUCT SPEC -  
 APPLICATION SPEC 114-19162  
 WEIGHT -

NAME  
PROTECTIVE COVER ASSEMBLY KIT

SIZE A3 CAGE CODE 00779 DRAWING NO C-2355444 RESTRICTED TO -

CUSTOMER DRAWING

SCALE 1:1 SHEET 2 OF 2 REV B