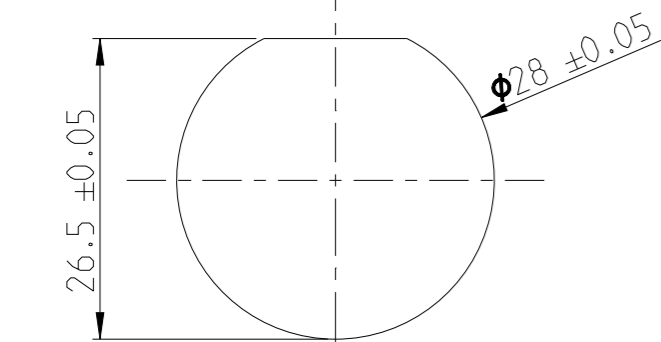
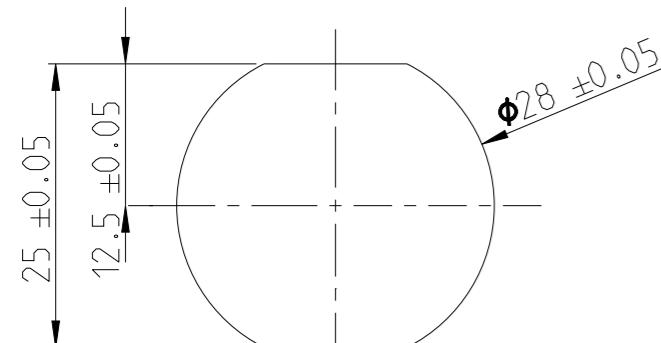


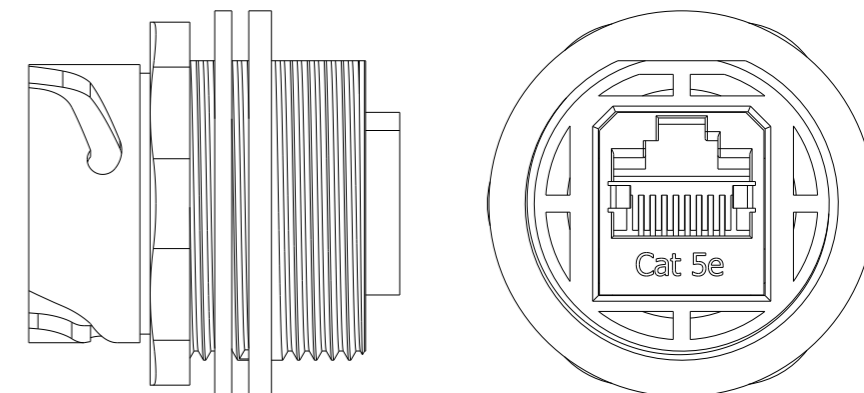
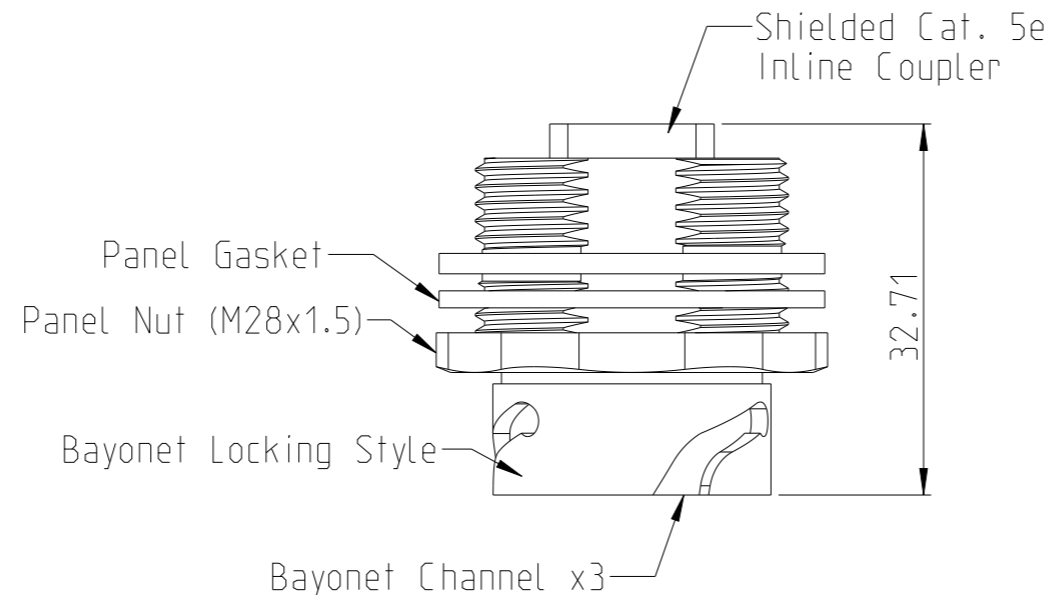
P	LTR	DESCRIPTION	DATE	DWN	APVD
A		INITIAL RELEASE	19APR2019	SS	KMA
B		ECR-19-018070	18NOV2019	SS	JK
B1		PANEL CUTOUT DIMENSION CORRECTION	17FEB2023	SS	KP
B2		ADDED VIEW FOR 2355443-2	20FEB2024	SS	LET



Recommended Single-D Panel Cutout



Recommended Double-D Panel Cutout



2355443-2 AS SHOWN

Notes:

1. Electrical Specifications:

- Meets EIA/TIA-568-B.2 Cat.5e Specification
- Contact Resistance: 20mOhm max.
- Insulation Resistance: 500MOhm min. @ 100 VDC
- Current Rating: 1.2A max. at 25°C
- Working Voltage: 72 VDC
- DWV: 1000 VDC/60s Contact to Contact, 1500 VDC/60s Contact to Metal Shell
- Operating Temperature: -40°C to +85°C

2. Material and Finish:

- Receptacle Housing: Zinc Die-Cast, Finish: Nickel Plated
- Panel Nut: Brass, Finish: Nickel Plated
- Panel Gasket: Silicon, Color: Transparent
- RJ45 Jack Metal Shell: Copper Alloy, Nickel Plated
- RJ45 Jack Plastic Housing: Glass filled PBT UL94 V-0, Color: Black
- RJ45 Jack Contacts: Phosphor Bronze, Finish: 50u" Gold min. over Nickel

3. Connector can be front or rear mounted to a maximum panel thickness of 3.2mm.

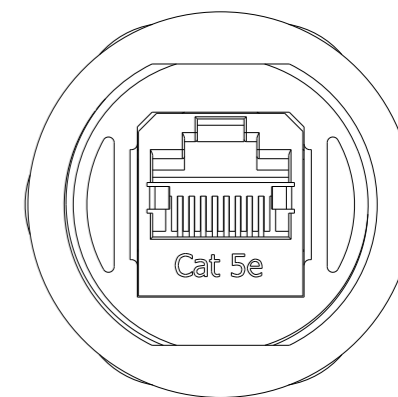
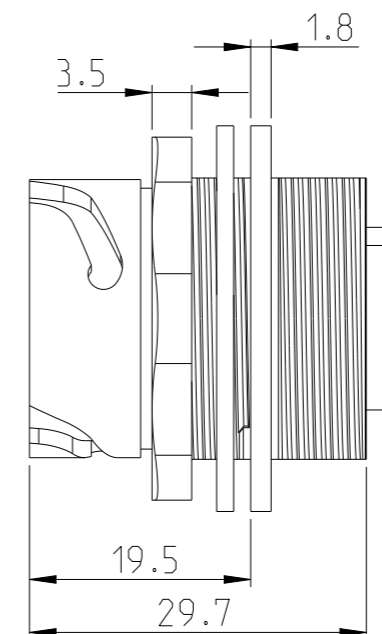
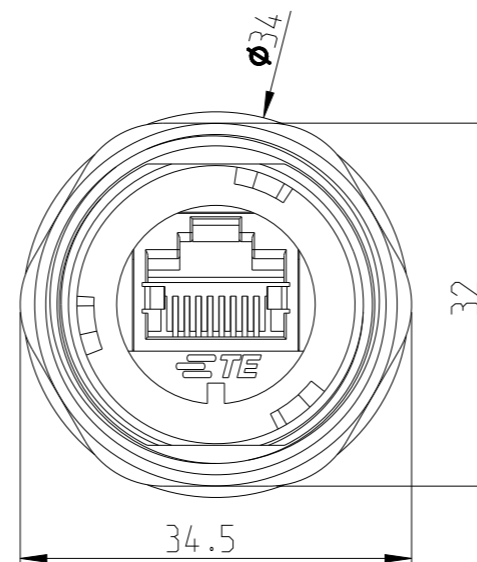
4. IP67 rated when covered or fully mated with the appropriate mating connector

5. RoHS compliant

6. Packaging Spec: 107-19763

7. Material and Finish:

- Receptacle Housing: PBT UL 94 V-0, black
- Panel Nut: Brass, Finish: Nickel Plated
- Panel Gasket: Silicon, Color: Transparent
- RJ45 Jack Metal Shell: Copper Alloy, Nickel Plated
- RJ45 Jack Plastic Housing: Glass filled PBT UL94 V-0, Color: Black
- RJ45 Jack Contacts: Phosphor Bronze, Finish: 50u" Gold min. over Nickel



2355443-1 AS SHOWN

E81956	7	2355443-2
E81956	2	2355443-1
UL NO.	MATERIAL	TEPN

THIS DRAWING IS A CONTROLLED DOCUMENT.		DWN S.SHARMA 19APR2019	TE Connectivity	
		CHK K.MALCZYK 24APR2019		
DIMENSIONS: mm 		APVD J.de BRUIJN 24APR2019	NAME JACK RECEPT. ASSY KIT SHIELDED CAT 5e RJ45 COUPLER	
TOLERANCES UNLESS OTHERWISE SPECIFIED: 0 PLC ±0.50 1 PLC ±0.38 2 PLC ±0.25 3 PLC ±0.10 4 PLC ANGLES ±		PRODUCT SPEC -	RESTRICTED TO -	
MATERIAL SEE TABLE		FINISH SEE TABLE	APPLICATION SPEC 114-19162	SIZE A3
		WEIGHT -	CAGE CODE 00779	DRAWING NO. C-2355443
CUSTOMER DRAWING			SCALE 3:2	SHEET 1 OF 1
			REV B2	