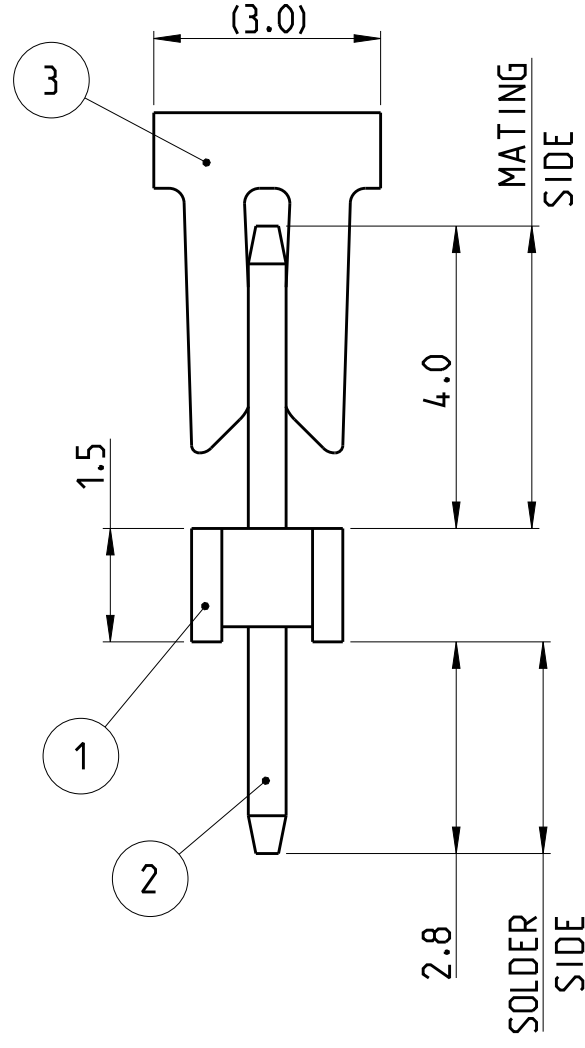
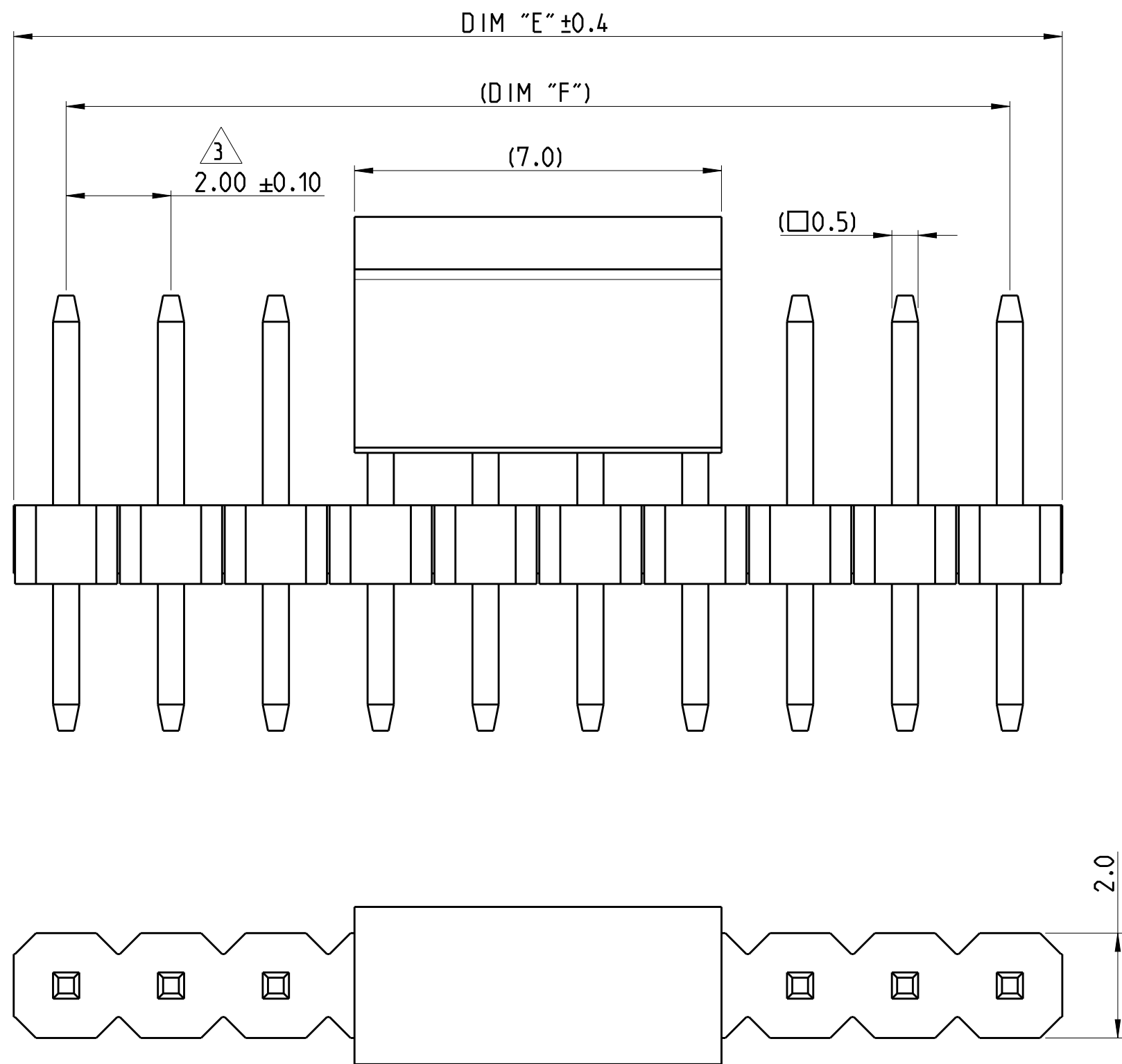
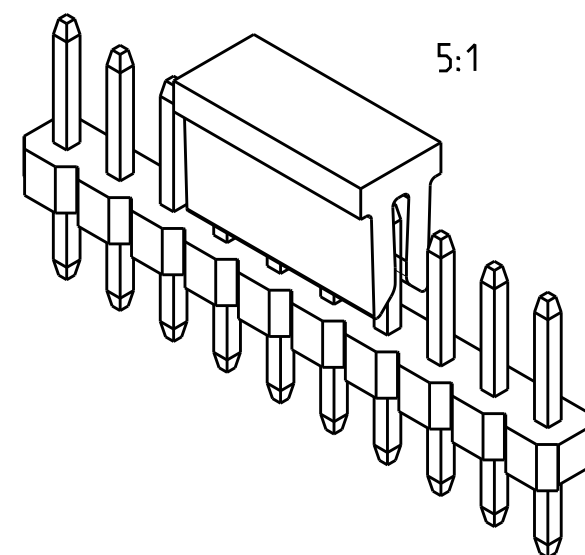


REVISIONS				
P	LTR	DESCRIPTION	DATE	APVD
A		RELEASE TO PRODUCTION	26AUG2019	AY PS
B		CHANGED P AND P CAP LENGTH FROM 6.5 TO 7.0	16DEC2019	AY PS

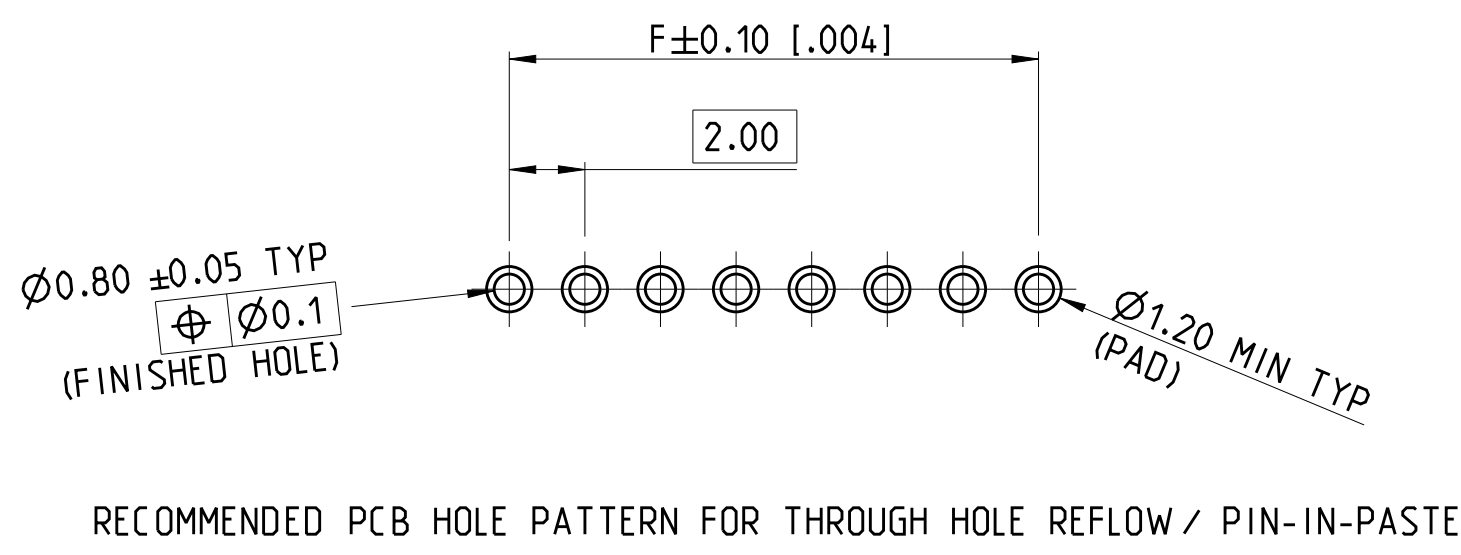
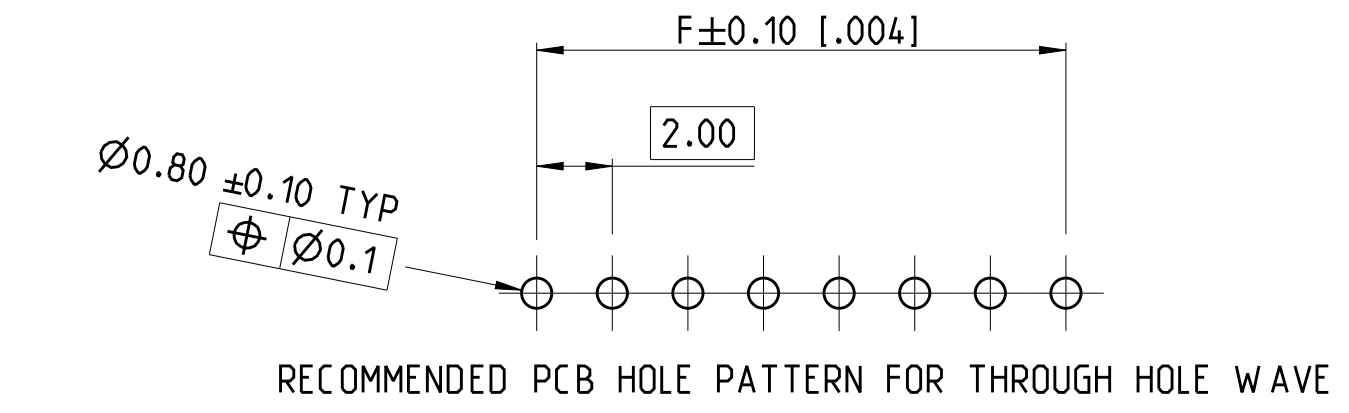


- NOTES:
- MATERIAL
HOUSING & P&P CAP : HIGH TEMPERATURE THERMOPLASTIC, UL94-V0; COLOR- BLACK
CONTACT PIN : COPPER ALLOY
FINISH : MIN. 2.0 μm BRIGHT TIN OVER NICKEL UNDER PLATING.
 - PACKAGING: TAPE AND REEL (WITH PICK AND PLACE CAP).
 - TOLERANCE NOT CUMULATIVE.
 - CUTTING BURR MAX. 0.25 mm.

48.0	50.0	25	2-2355199-5
46.0	48.0	24	2-2355199-4
44.0	46.0	23	2-2355199-3
42.0	44.0	22	2-2355199-2
40.0	42.0	21	2-2355199-1
38.0	40.0	20	2-2355199-0
36.0	38.0	19	1-2355199-9
34.0	36.0	18	1-2355199-8
32.0	34.0	17	1-2355199-7
30.0	32.0	16	1-2355199-6
28.0	30.0	15	1-2355199-5
26.0	28.0	14	1-2355199-4
24.0	26.0	13	1-2355199-3
22.0	24.0	12	1-2355199-2
20.0	22.0	11	1-2355199-1
18.0	20.0	10	1-2355199-0
16.0	18.0	9	2355199-9
14.0	16.0	8	2355199-8
12.0	14.0	7	2355199-7
10.0	12.0	6	2355199-6
8.0	10.0	5	2355199-5
6.0	8.0	4	2355199-4
4.0	6.0	3	2355199-3
2.0	4.0	2	2355199-2
DIM "F"	DIM "E"	POS	TE PN



1-2355199-0 AS SHOWN



PICK AND PLACE CAP	3
CONTACT PIN	2
HOUSING	1
DESCRIPTION	ITEM NO.

THIS DRAWING IS A CONTROLLED DOCUMENT.

DIMENSIONS: mm	TOLERANCES UNLESS OTHERWISE SPECIFIED:	DWN RAGHAVENDRA.K 09APR2019	CHK KARTHIK.JK 14AUG2019	APVD PRASHANTH 16AUG2019
0 PLC ±	1 PLC ±0.2	NAME AMPMODU 2mm BREAKAWAY HEADER SINGLE ROW, VERTICAL, Sn. T/R, PICK AND PLACE CAP		
2 PLC ±0.15	3 PLC ±	SIZE A2 CAGE CODE 00779 DRAWING NO. C-2355199 RESTRICTED TO		
4 PLC ±	ANGLES ±2°	SCALE 10:1 SHEET 1 OF 1 REV B		
FINISH	SEE NOTES	CUSTOMER DRAWING		