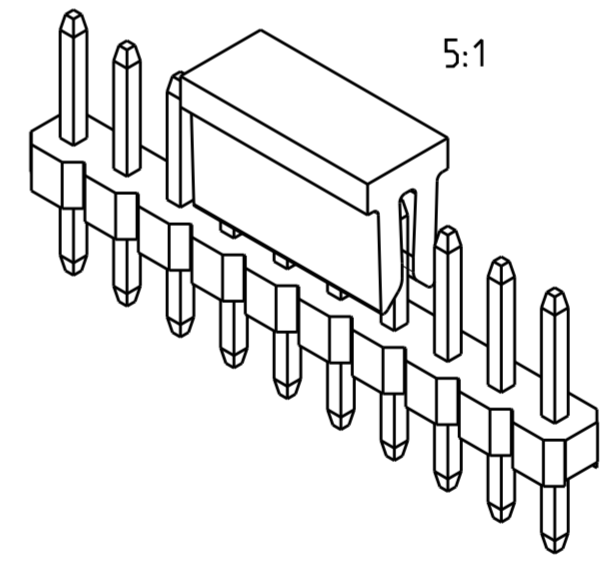
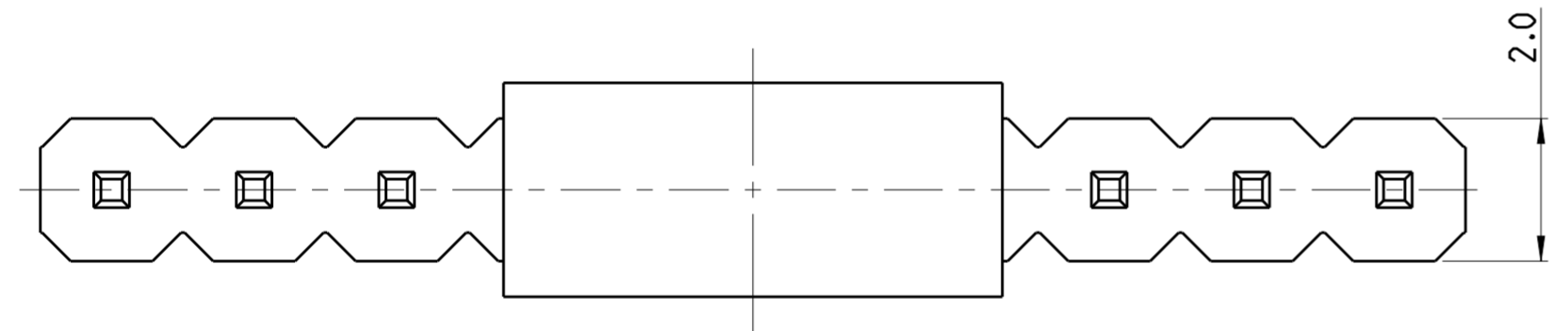
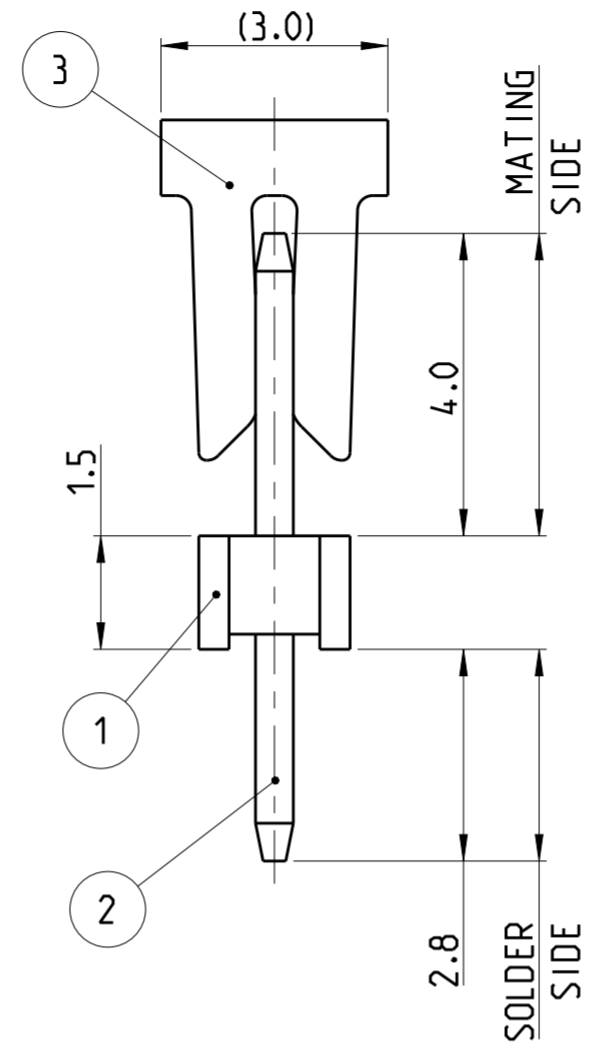
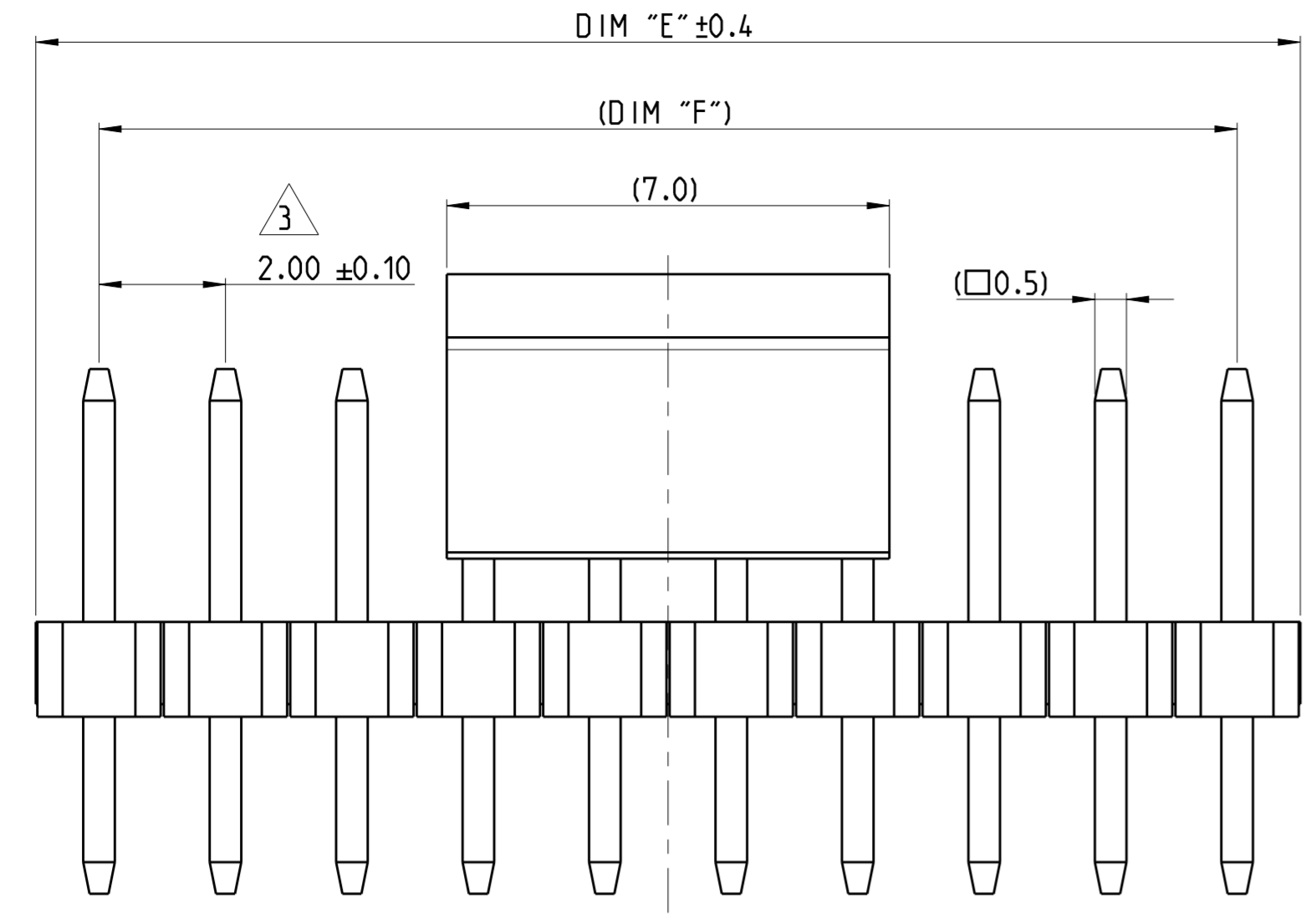


© 2019 TE Connectivity. All Rights Reserved.

REVISIONS					
P	LTR	DESCRIPTION	DATE	DWN	APVD
A		RELEASE TO PRODUCTION	26AUG2019	AY	PS
B		CHANGED P AND P CAP LENGTH FROM 6.5 TO 7.0	16DEC2019	AY	PS

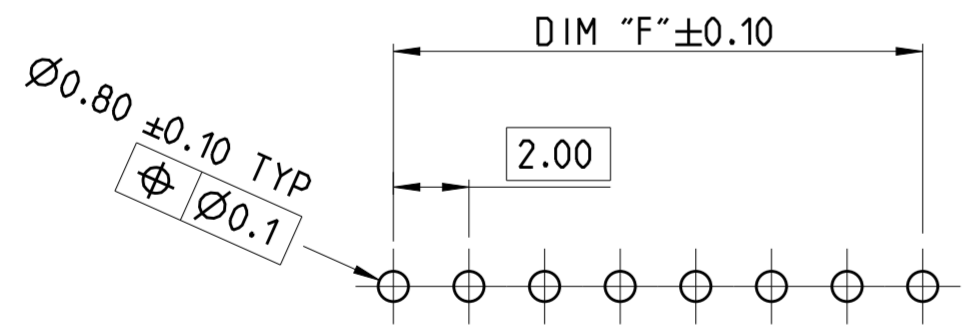
NOTES:

- MATERIAL
HOUSING & P&P CAP: HIGH TEMPERATURE THERMOPLASTIC, UL94-V0; COLOR- BLACK
CONTACT PIN : COPPER ALLOY
FINISH : MIN 2.0 μm BRIGHT TIN OVER NICKEL UNDER PLATING
- PACKAGING: TUBE WITH PICK AND PLACE CAP.
- TOLERANCE NOT CUMULATIVE.
- CUTTING BURR MAX. 0.25 mm.

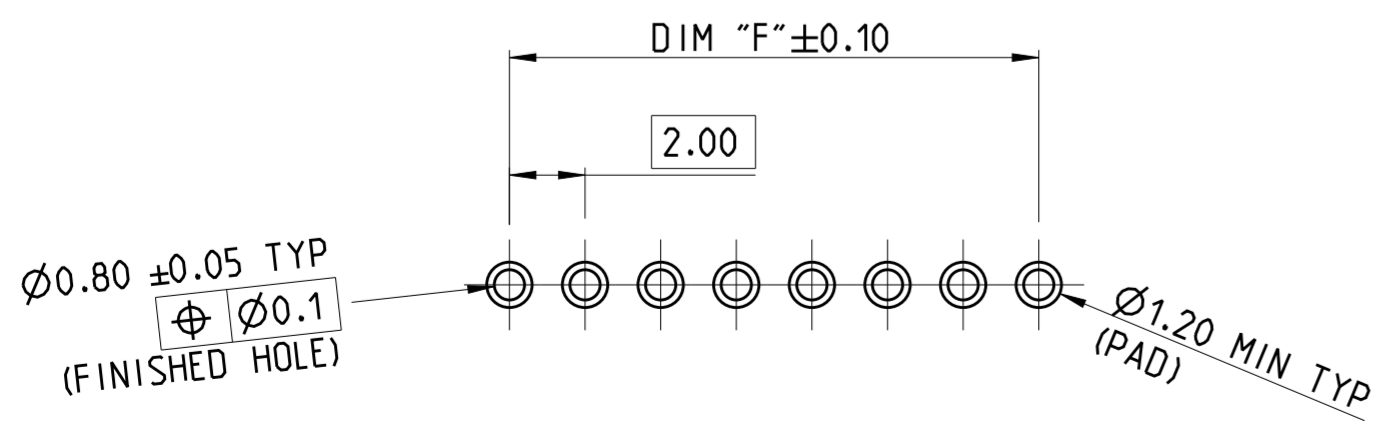


1-2355197-0 AS SHOWN

48.0	50.0	25	2-2355197-5
46.0	48.0	24	2-2355197-4
44.0	46.0	23	2-2355197-3
42.0	44.0	22	2-2355197-2
40.0	42.0	21	2-2355197-1
38.0	40.0	20	2-2355197-0
36.0	38.0	19	1-2355197-9
34.0	36.0	18	1-2355197-8
32.0	34.0	17	1-2355197-7
30.0	32.0	16	1-2355197-6
28.0	30.0	15	1-2355197-5
26.0	28.0	14	1-2355197-4
24.0	26.0	13	1-2355197-3
22.0	24.0	12	1-2355197-2
20.0	22.0	11	1-2355197-1
18.0	20.0	10	1-2355197-0
16.0	18.0	9	2355197-9
14.0	16.0	8	2355197-8
12.0	14.0	7	2355197-7
10.0	12.0	6	2355197-6
8.0	10.0	5	2355197-5
6.0	8.0	4	2355197-4
DIM "F"	DIM "E"	POS	TE PN



RECOMMENDED PCB HOLE PATTERN FOR THROUGH HOLE WAVE



RECOMMENDED PCB HOLE PATTERN FOR THROUGH HOLE REFLOW / PIN-IN-PASTE

PICK AND PLACE CAP	3
CONTACT PIN	2
HOUSING	1
DESCRIPTION	ITEM NO.

THIS DRAWING IS A CONTROLLED DOCUMENT.

DIMENSIONS: mm	TOLERANCES UNLESS OTHERWISE SPECIFIED: 0 PLC ± 1 PLC ±0.2 2 PLC ±0.15 3 PLC ± 4 PLC ±	APVD: PRASHANTH 16AUG2019	NAME: AMPMODU 2mm BREAKAWAY HEADER, SINGLE ROW, VERTICAL, Sn. TUBE, PICK AND PLACE CAP
MATERIAL: SEE NOTES	FINISH: SEE NOTES	PRODUCT SPEC: 108-64040	SIZE: A2
		APPLICATION SPEC: 114-32259	CAGE CODE: 00779
		WEIGHT: -	DRAWING NO: C-2355197
		CUSTOMER DRAWING	RESTRICTED TO: -

SCALE: 10:1 SHEET: 1 OF 1 REV: B