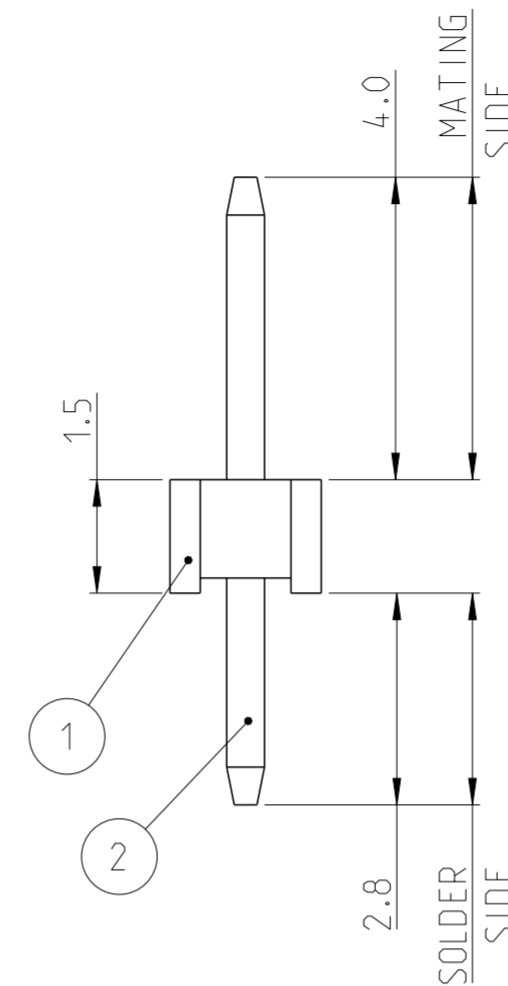
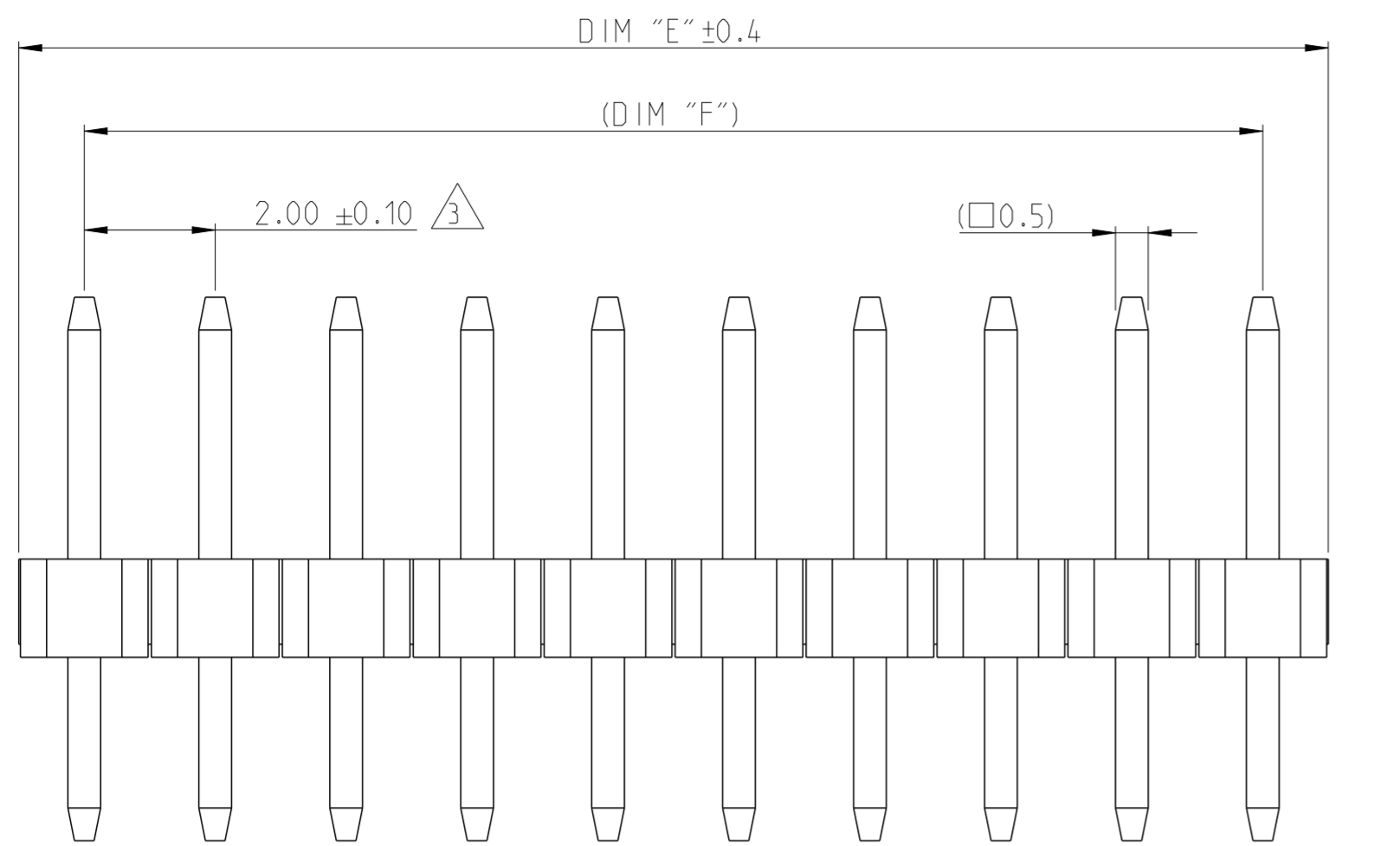
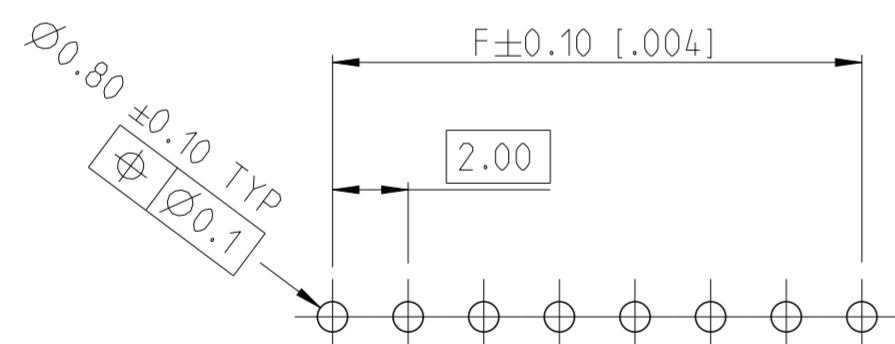
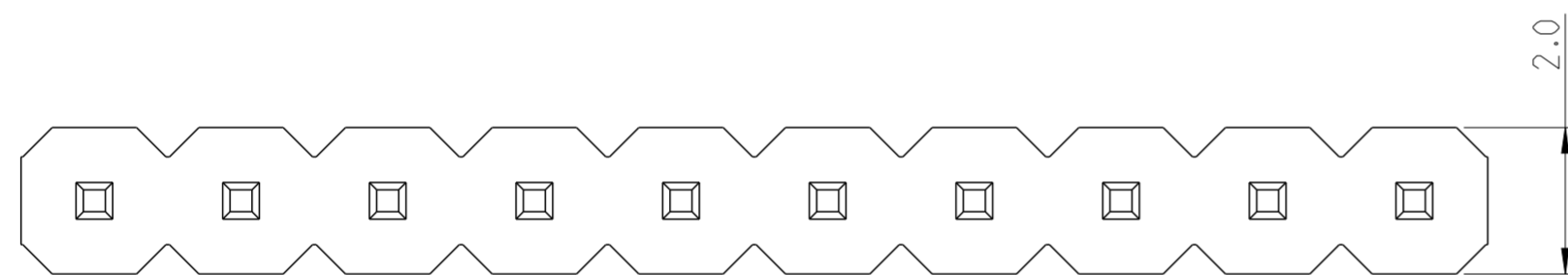


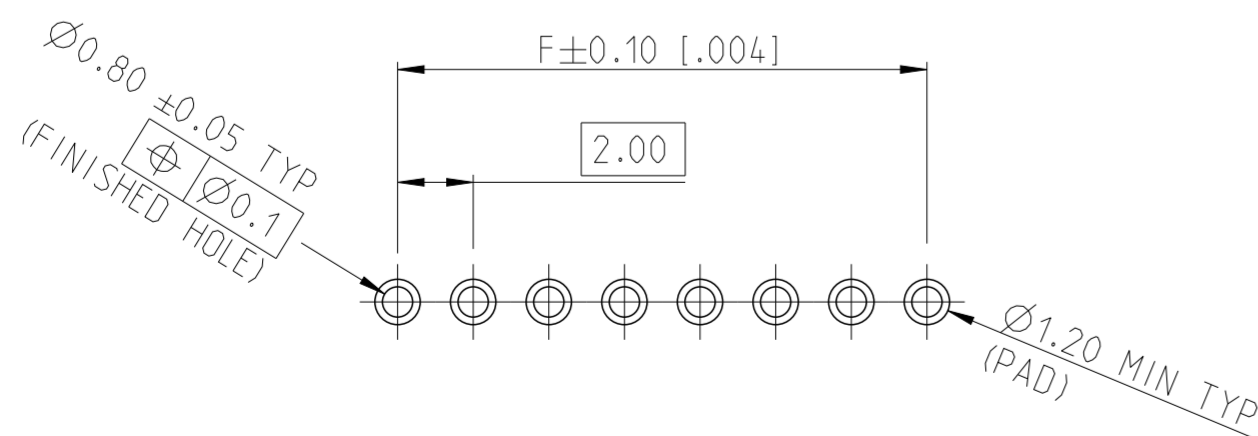
| P | LTR | DESCRIPTION | DATE | DWN | APVD |
|----|-----|------------------------------|-----------|-----|------|
| A | | RELEASE TO PRODUCTION | 26AUG2019 | AY | PS |
| A1 | | REMOVED TOLERANCE FROM DIM F | 17DEC2019 | AY | PS |



- NOTES:
- MATERIAL
HOUSING : HIGH TEMPERATURE THERMOPLASTIC, UL94-V0; COLOR- BLACK
CONTACT PIN : COPPER ALLOY
FINISH :
MATING SIDE: MIN. 0.38 μm GOLD OVER NICKEL UNDER PLATING.
SOLDER SIDE: MIN. 2.0 μm BRIGHT TIN OVER NICKEL UNDER PLATING.
 - PACKAGING: BULK PACK.
 - TOLERANCE NOT CUMULATIVE.
 - CUTTING BURR MAX. 0.25 mm.

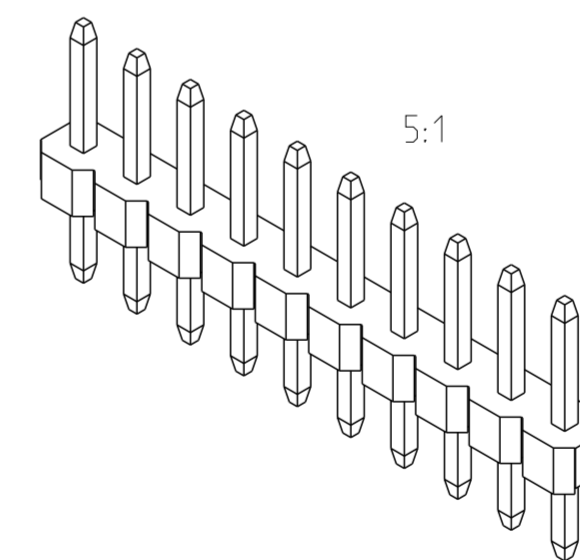


RECOMMENDED PCB HOLE PATTERN FOR THROUGH HOLE WAVE



RECOMMENDED PCB HOLE PATTERN FOR THROUGH HOLE REFLOW / PIN-IN-PASTE

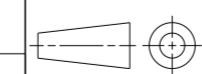
1-2355181-0 AS SHOWN



| | | | |
|---------|---------|-----|-------------|
| 48.0 | 50.0 | 25 | 2-2355181-5 |
| 46.0 | 48.0 | 24 | 2-2355181-4 |
| 44.0 | 46.0 | 23 | 2-2355181-3 |
| 42.0 | 44.0 | 22 | 2-2355181-2 |
| 40.0 | 42.0 | 21 | 2-2355181-1 |
| 38.0 | 40.0 | 20 | 2-2355181-0 |
| 36.0 | 38.0 | 19 | 1-2355181-9 |
| 34.0 | 36.0 | 18 | 1-2355181-8 |
| 32.0 | 34.0 | 17 | 1-2355181-7 |
| 30.0 | 32.0 | 16 | 1-2355181-6 |
| 28.0 | 30.0 | 15 | 1-2355181-5 |
| 26.0 | 28.0 | 14 | 1-2355181-4 |
| 24.0 | 26.0 | 13 | 1-2355181-3 |
| 22.0 | 24.0 | 12 | 1-2355181-2 |
| 20.0 | 22.0 | 11 | 1-2355181-1 |
| 18.0 | 20.0 | 10 | 1-2355181-0 |
| 16.0 | 18.0 | 9 | 2355181-9 |
| 14.0 | 16.0 | 8 | 2355181-8 |
| 12.0 | 14.0 | 7 | 2355181-7 |
| 10.0 | 12.0 | 6 | 2355181-6 |
| 8.0 | 10.0 | 5 | 2355181-5 |
| 6.0 | 8.0 | 4 | 2355181-4 |
| 4.0 | 6.0 | 3 | 2355181-3 |
| 2.0 | 4.0 | 2 | 2355181-2 |
| DIM "F" | DIM "E" | POS | TE PN |

THIS DRAWING IS A CONTROLLED DOCUMENT.

DIMENSIONS: mm



MATERIAL SEE NOTES

TOLERANCES UNLESS OTHERWISE SPECIFIED:
0 PLC ±
1 PLC ±0.2
2 PLC ±0.15
3 PLC ±
4 PLC ±
ANGLES ±2°
FINISH SEE NOTES

DWN 09APR2019 RAGHAVENDRA.K
CHK 14AUG2019 KARTHIK.JK
APVD 16AUG2019 PRASHANTH
PRODUCT SPEC 108-64040
APPLICATION SPEC 114-32259
WEIGHT -
CUSTOMER DRAWING

NAME AMPMODU 2mm BREAKAWAY HEADER, SINGLE ROW, VERTICAL, 0.38 Au, BULK
SIZE A2 CAGE CODE 00779 DRAWING NO. C-2355181 RESTRICTED TO -
SCALE 10:1 SHEET 1 OF 1 REV A1

| | |
|-------------|----------|
| CONTACT PIN | 2 |
| HOUSING | 1 |
| DESCRIPTION | ITEM NO. |