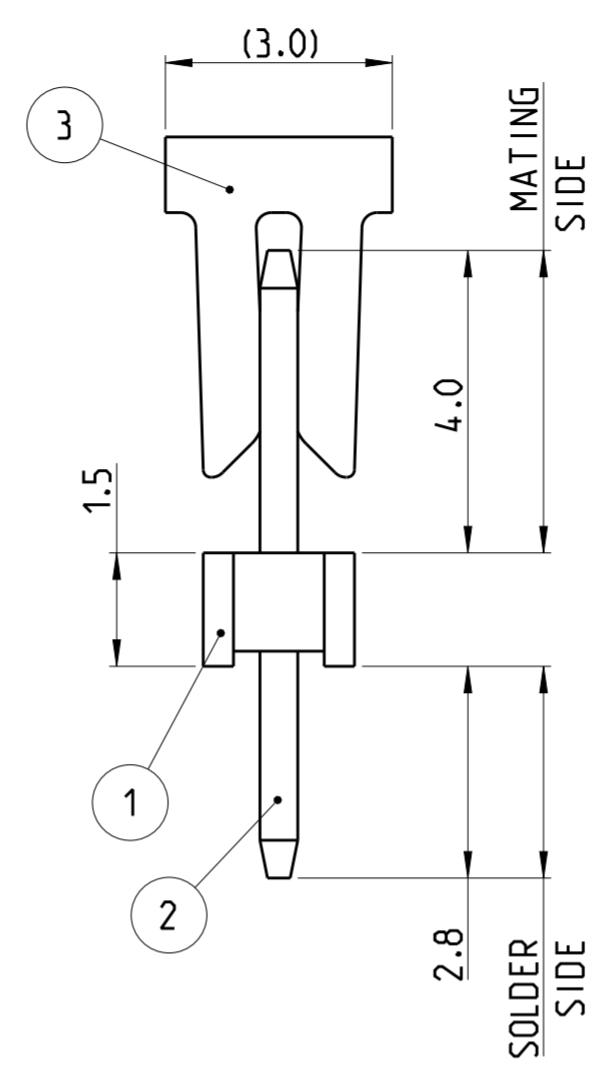
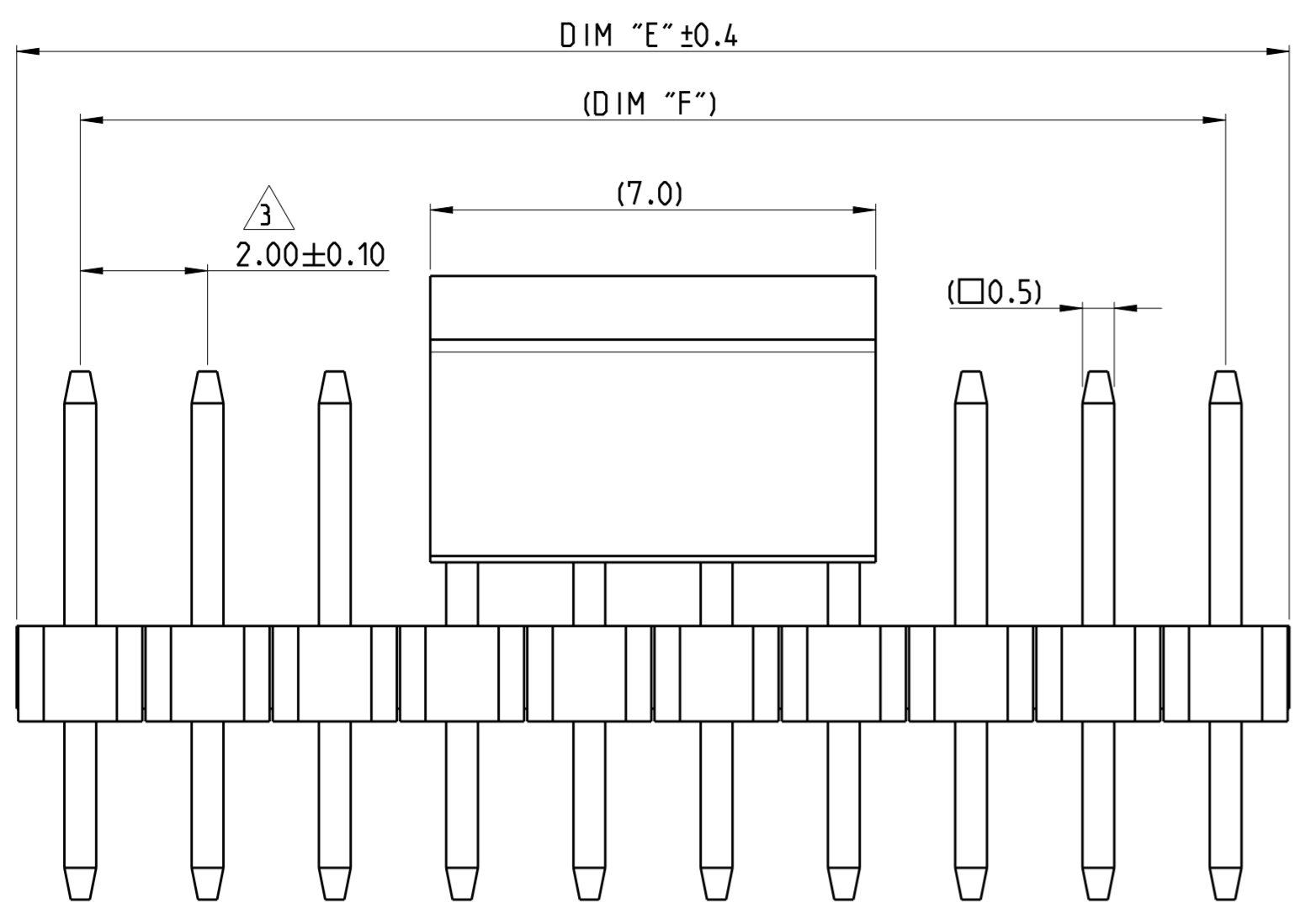
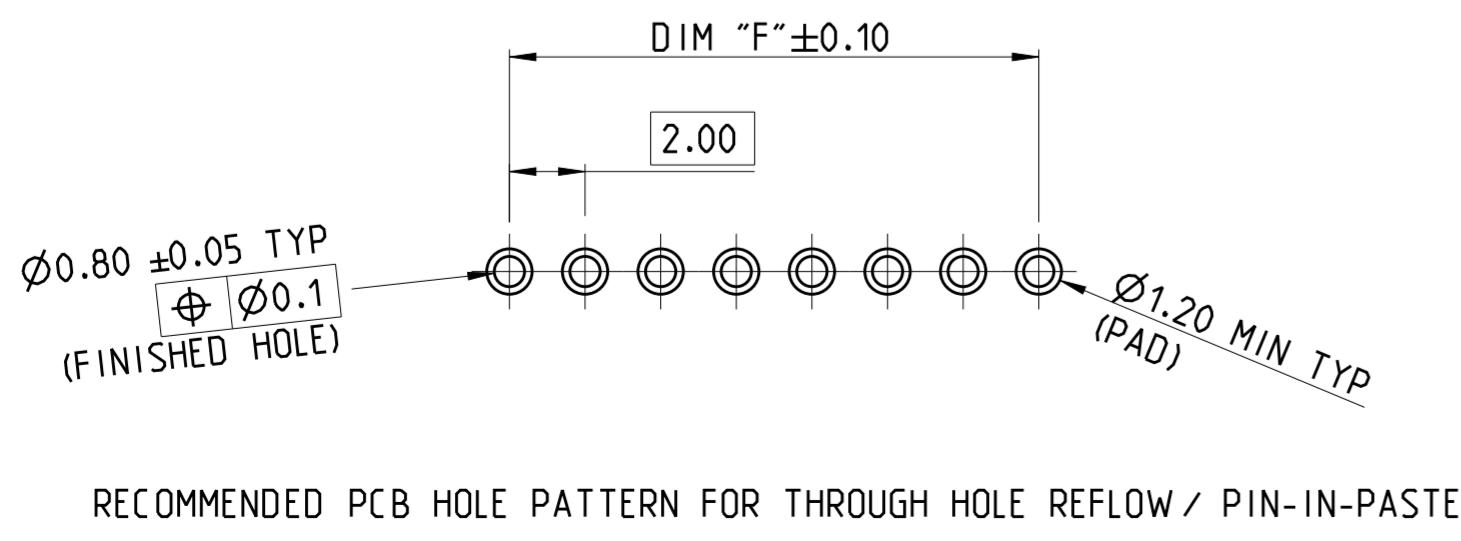
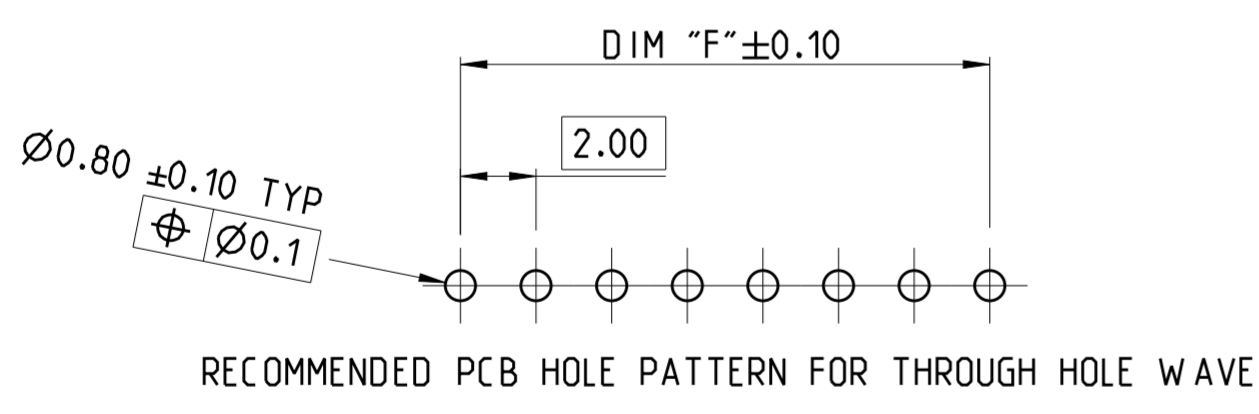
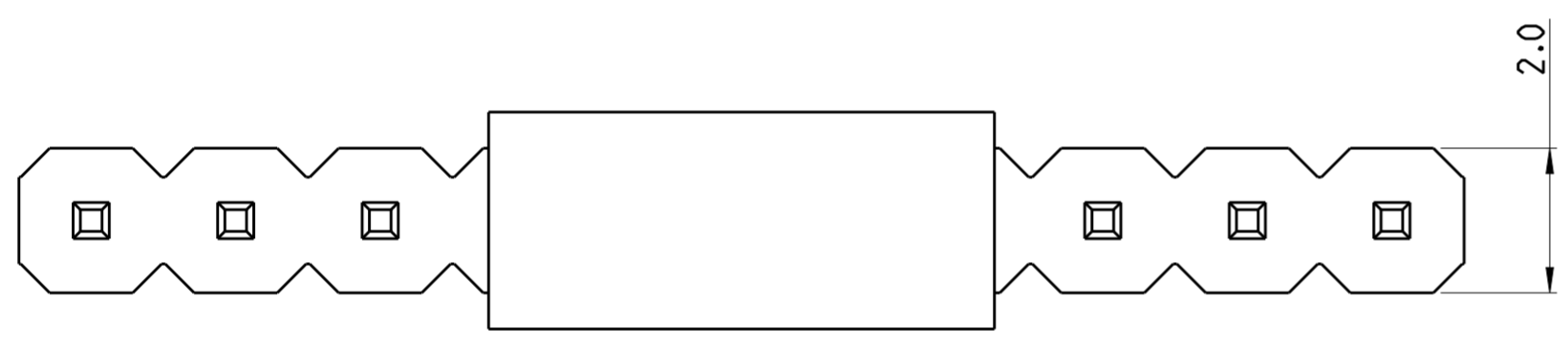


© 2019 TE Connectivity. All Rights Reserved.

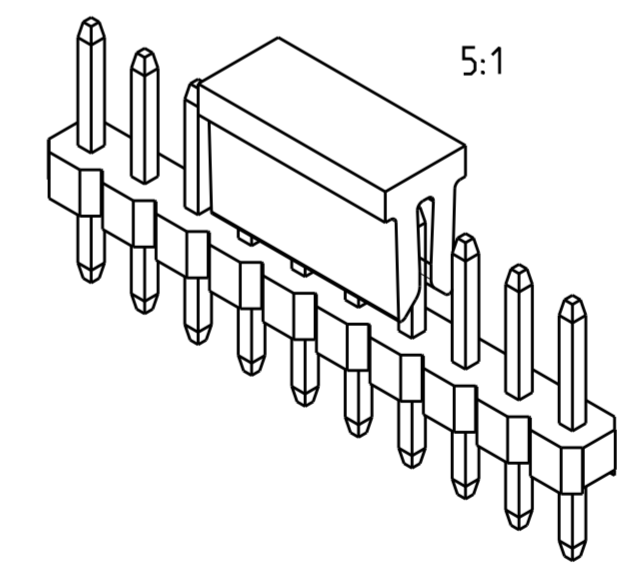
REVISIONS				
P	LTR	DESCRIPTION	DATE	APVD
A		RELEASE TO PRODUCTION	26AUG2019	AY PS
B		CHANGED P AND P CAP LENGTH FROM 6.5 TO 7.0	16DEC2019	AY PS



- NOTES:
- MATERIAL
HOUSING & P&P CAP : HIGH TEMPERATURE THERMOPLASTIC, UL94-V0; COLOR- BLACK
CONTACT PIN : COPPER ALLOY
FINISH :
MATING SIDE: MIN. 0.38 μm GOLD OVER NICKEL UNDER PLATING.
SOLDER SIDE: MIN. 2.0 μm BRIGHT TIN OVER NICKEL UNDER PLATING.
 - PACKAGING: TAPE AND REEL (WITH PICK AND PLACE CAP).
 - TOLERANCE NOT CUMULATIVE.
 - CUTTING BURR MAX. 0.25 mm.



1-2355180-0 AS SHOWN



DIM "F"	DIM "E"	POS	TE PN
48.0	50.0	25	2-2355180-5
46.0	48.0	24	2-2355180-4
44.0	46.0	23	2-2355180-3
42.0	44.0	22	2-2355180-2
40.0	42.0	21	2-2355180-1
38.0	40.0	20	2-2355180-0
36.0	38.0	19	1-2355180-9
34.0	36.0	18	1-2355180-8
32.0	34.0	17	1-2355180-7
30.0	32.0	16	1-2355180-6
28.0	30.0	15	1-2355180-5
26.0	28.0	14	1-2355180-4
24.0	26.0	13	1-2355180-3
22.0	24.0	12	1-2355180-2
20.0	22.0	11	1-2355180-1
18.0	20.0	10	1-2355180-0
16.0	18.0	9	2355180-9
14.0	16.0	8	2355180-8
12.0	14.0	7	2355180-7
10.0	12.0	6	2355180-6
8.0	10.0	5	2355180-5
6.0	8.0	4	2355180-4
4.0	6.0	3	2355180-3
2.0	4.0	2	2355180-2

THIS DRAWING IS A CONTROLLED DOCUMENT.

DIMENSIONS: mm	TOLERANCES UNLESS OTHERWISE SPECIFIED: 0 PLC ± 1 PLC ±0.2 2 PLC ±0.15 3 PLC ± 4 PLC ±	ANGLES ±2°	FINISH SEE NOTES
-------------------	------------------------------------------------------------------------------------------------------	---------------	---------------------

MATERIAL SEE NOTES	APVD PRASHANTH 16AUG2019	PRODUCT SPEC 108-64040	APPLICATION SPEC 114-32259
DESCRIPTION ITEM NO.	WEIGHT -	SIZE A2	CAGE CODE 00779
		DRAWING NO. C-2355180	RESTRICTED TO -

NAME: AMPMODU 2mm BREAKAWAY HEADER SINGLE ROW, VERTICAL, 0.38 Au, T/R PICK AND PLACE CAP

SCALE: 10:1 SHEET: 1 OF 1 REV: B