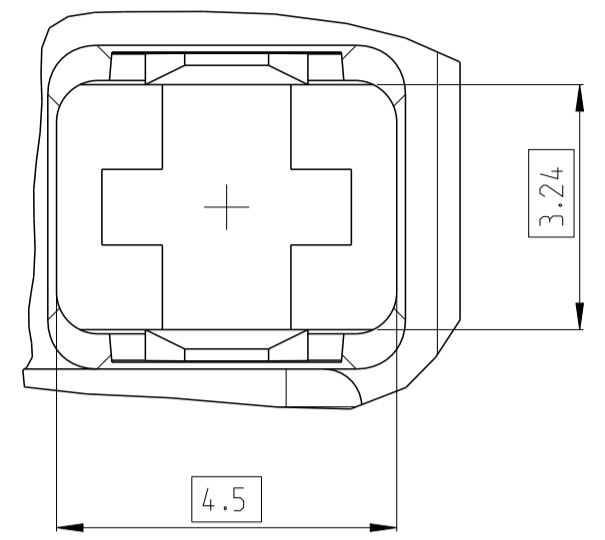
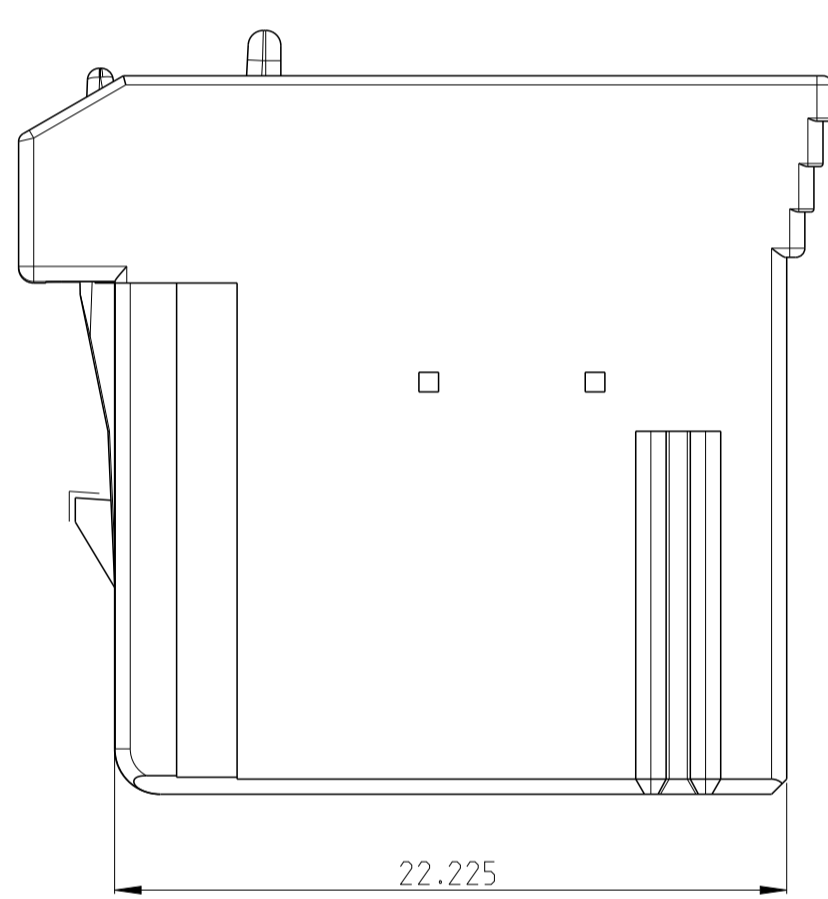
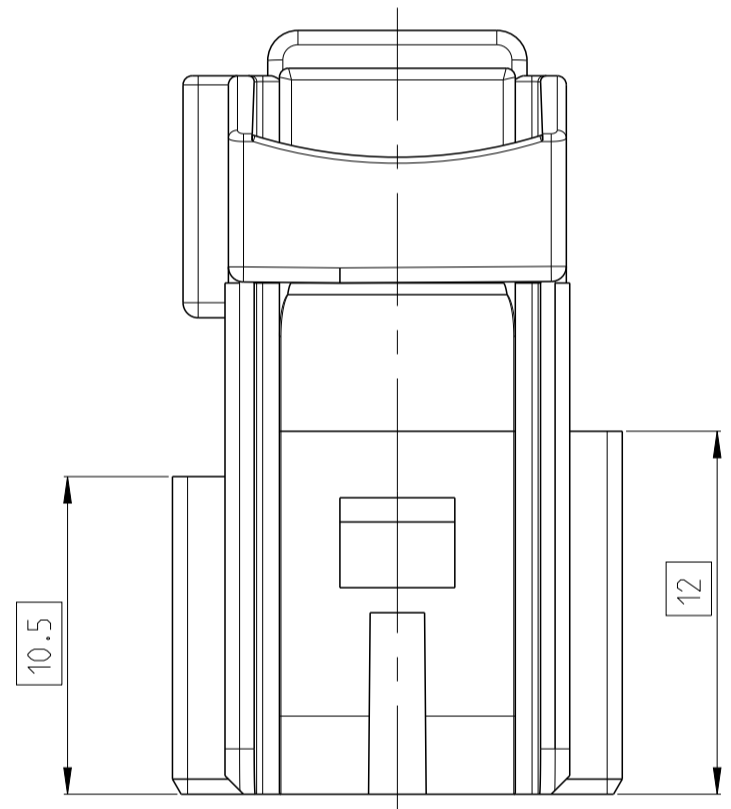
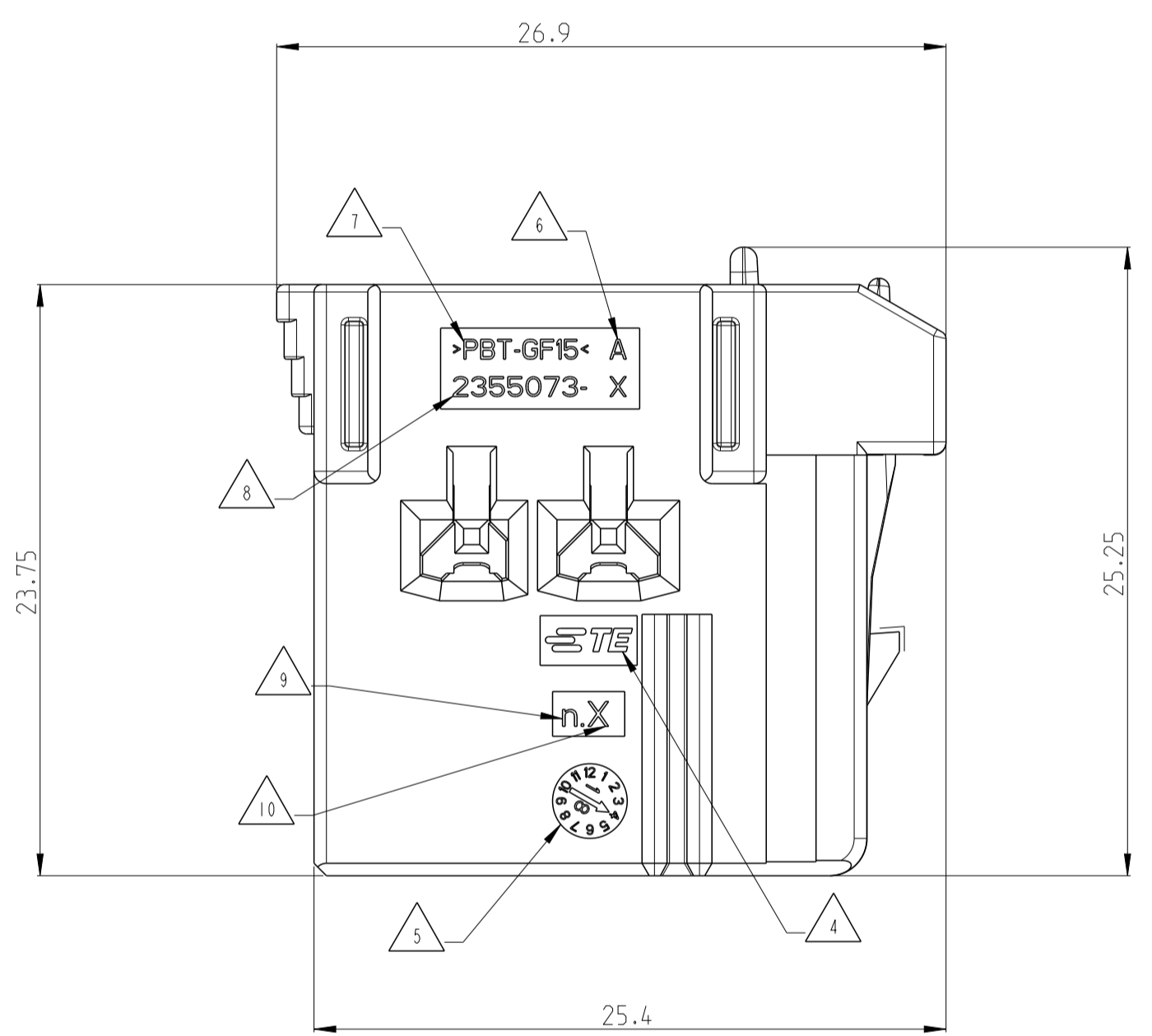
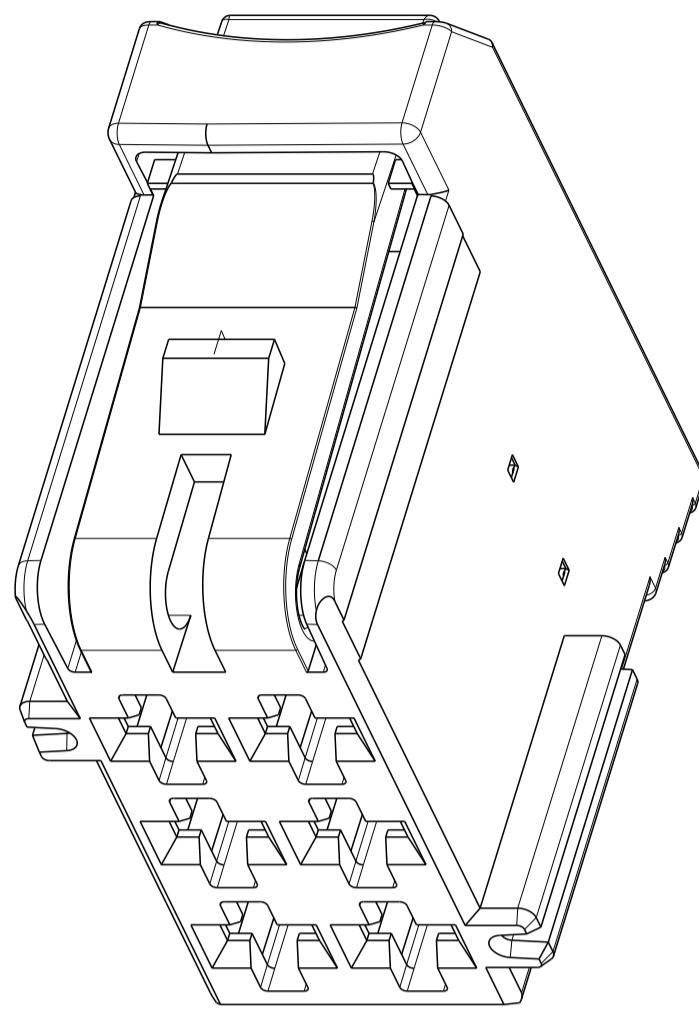
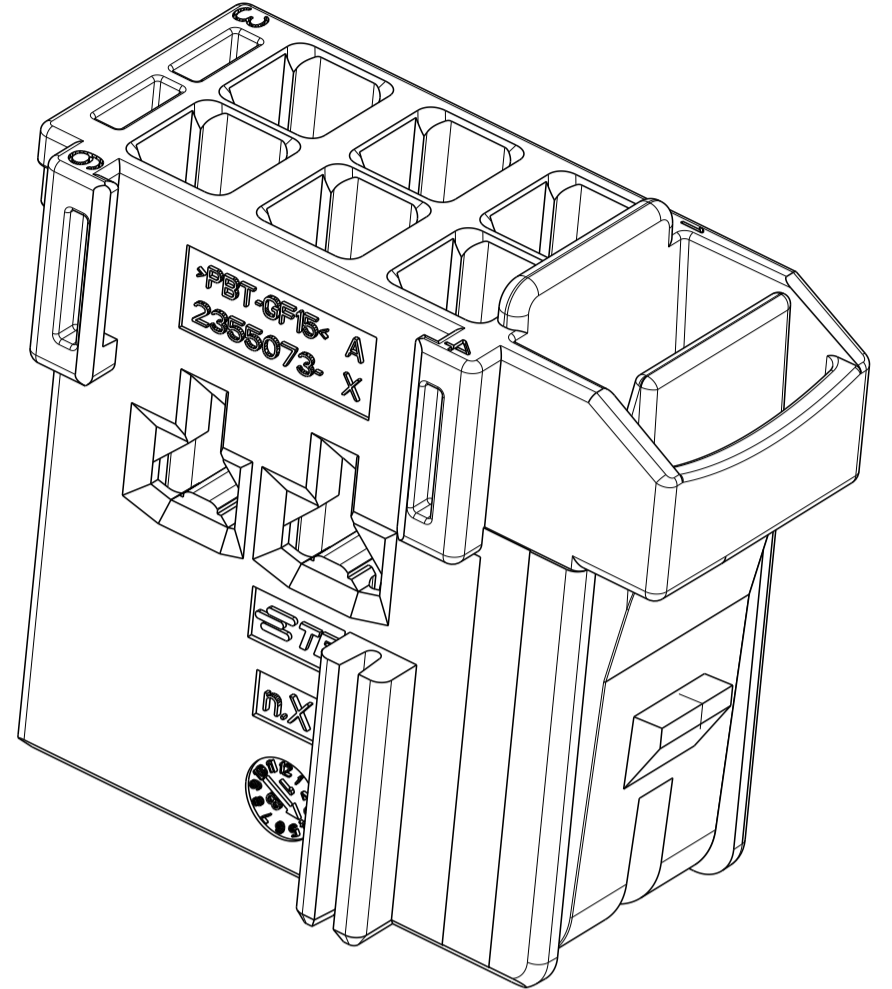
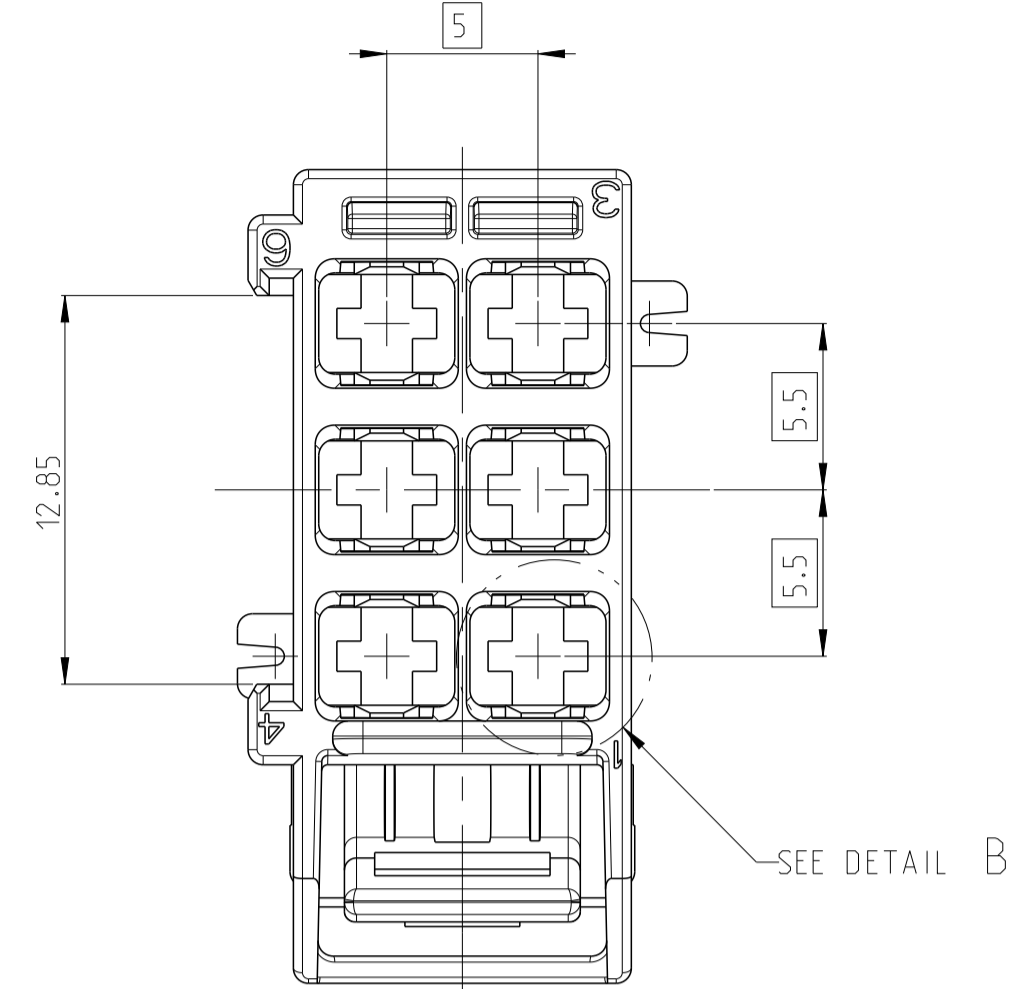


2355073-1, AS SHOWN  
 BASIC CODING A = RIBS B-C

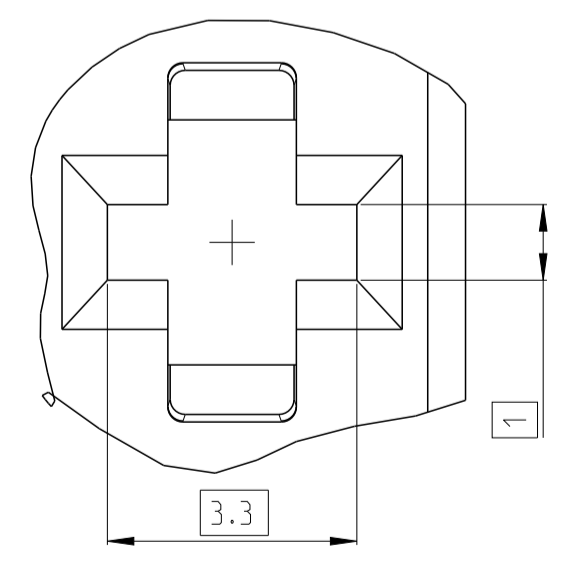
REVISIONS				
P	LTN	DESCRIPTION	DATE	APPV
A		RELEASE DRW AWING	26FEB2019	S.ZH I.Y
A1		REVISE TO MIDDLE DIM-SYMMETRY TOL. 10B No.	04SEP2019	S.ZH E.J
A2		ADD NEW P/N/NEW COLORANT FOR CODING A)	30NOV2021	W.W Z.Z



DETAIL B  
 SCALE 10:1



- NOTES.
- MATING CONNECTOR FOR AMP MCP 2.8 HOUSING. SEE DRAWINGS 1355072 (TAB HOUSING) 966140 (TAB HEADER) 114-18085-025 (INTERFACE-DRAWING)
  - THIS MCP 6POS HOUSING MEET WITH SECONDARY LOCKING DEVICE.SEE DRAWING 2355074.
  - CAVITY MATING WITH AMP MCP 2.8 CONTACTS (WITHOUT SWS. MAX WIRE SIZE: 2.5 mm<sup>2</sup> FLR).
  - TE LOGO.
  - MAKING DATE.
  - PART REVISION. ACTUAL STATUS ACC.TO TABLE
  - MATERIAL-MARKING.
  - TE PART NUMBER (X=1,2,3,4.....). 1-2355073-1 PRE DASH NUMBER NOT SHOWN ON THE PART.
  - TOOL NUMBERING (n=1,2,.....).
  - MOLD CAVITY MARK (X=1,2,3,4.....).
  - MALFUNCTION CAUSED BY LACQUER IS NOT COVERED BY TE WARRENTY.



DETAIL A  
 SCALE 10:1

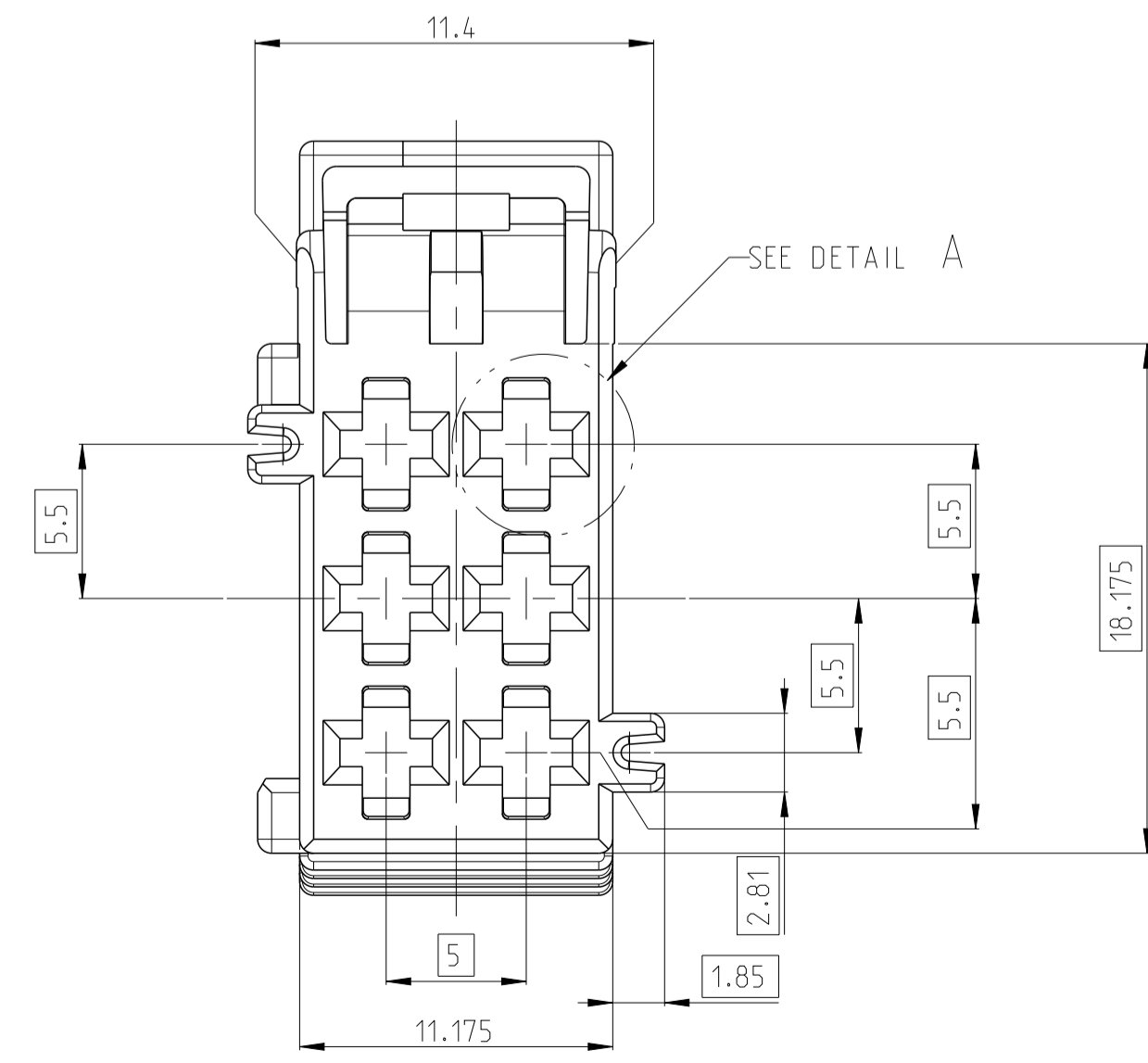


TABLE:

ITEM NO	DESCRIPTION	PART NO.	PART REV.	COLOUR	MATERIAL DESCRIPTION
7	6POS. HSG. CODING A	1-2355073-1	A	GENTIAN BLUE	PBT-G15
6	6POS. HSG. CODING F	2355073-6	A	ORANGE	PBT-G15
5	6POS. HSG. CODING E	2355073-5	A	EMERALD GREEN	PBT-G15
4	6POS. HSG. CODING D	2355073-4	A	CLARET VIOLET	PBT-G15
3	6POS. HSG. CODING C	2355073-3	A	LIGHT BLUE	PBT-G15
2	6POS. HSG. CODING B	2355073-2	A	NATURE	PBT-G15
1	6POS. HSG. CODING A	2355073-1	A	SLATE GREY	PBT-G15

THIS DRAWING IS A CONTROLLED DOCUMENT. DWG: W.WANG 30NOV2021  
 CHK: C.WAN 30NOV2021  
 APVD: Z.ZHOU 30NOV2021

**TE** Connectivity

NAME: AMP MCP 2.8. REC HSG. UNSLD FOR 6POS.  
 SIZE: 108-32326  
 APPLICATION SPEC: -

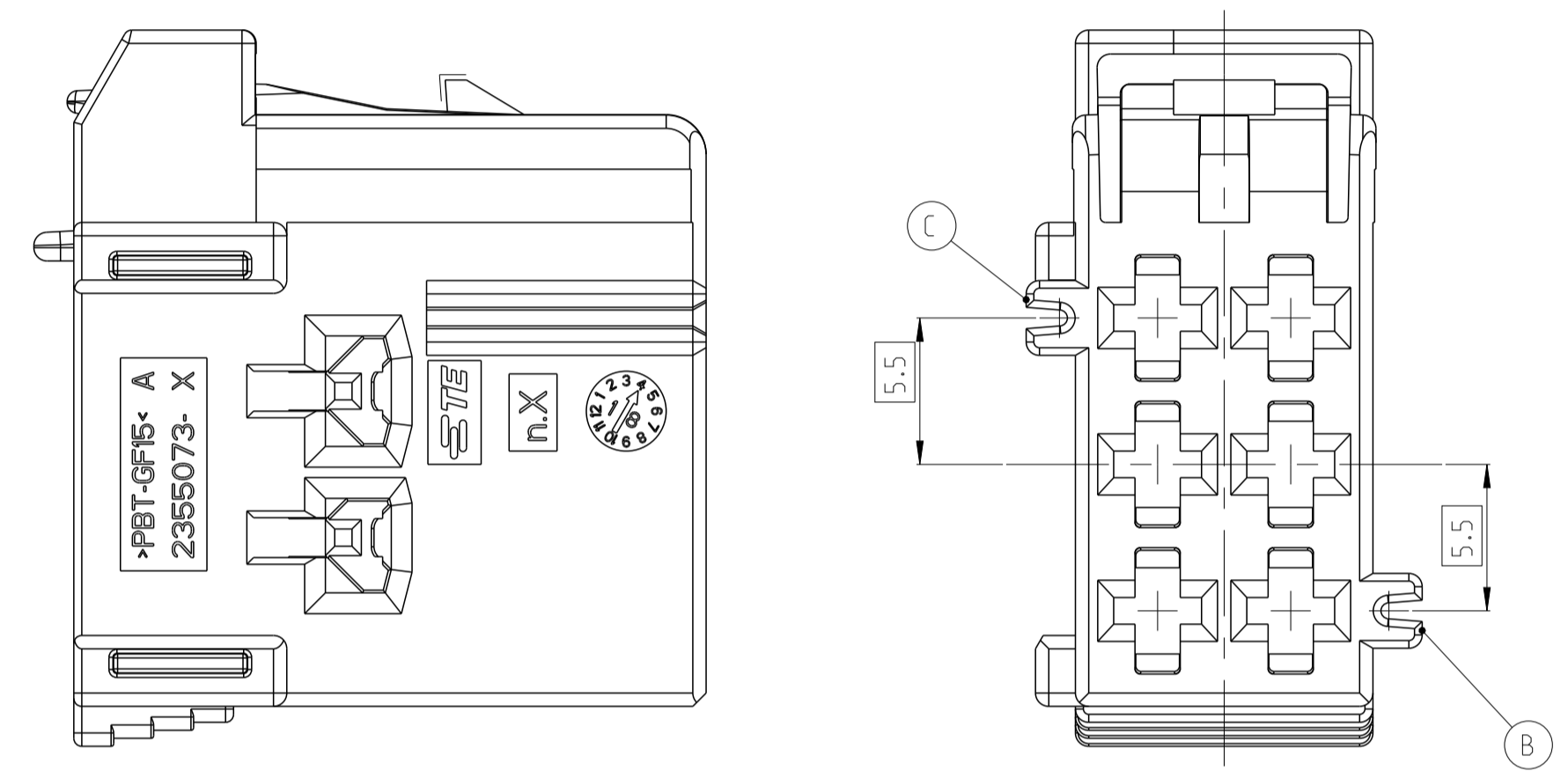
MATERIAL: - FINISH: - WEIGHT: -  
 CUSTOMER DRAWING

SCALE: 4:1 SHEET 1 OF 2 REV: A2

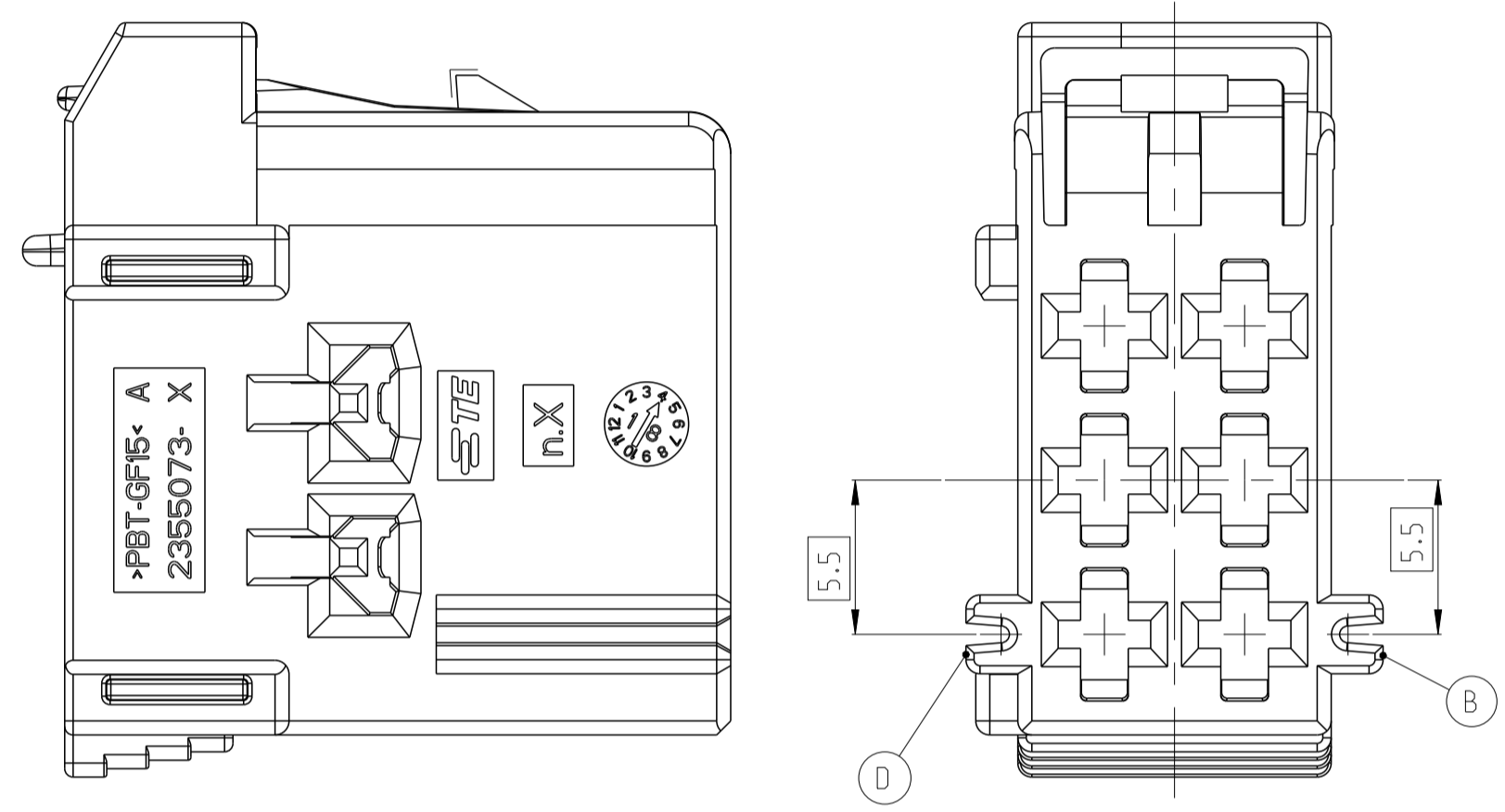
REVISIONS				
P.	LTM	DESCRIPTION	DATE	APVD
-		SEE SHEET 1	-	-

# CODINGS:

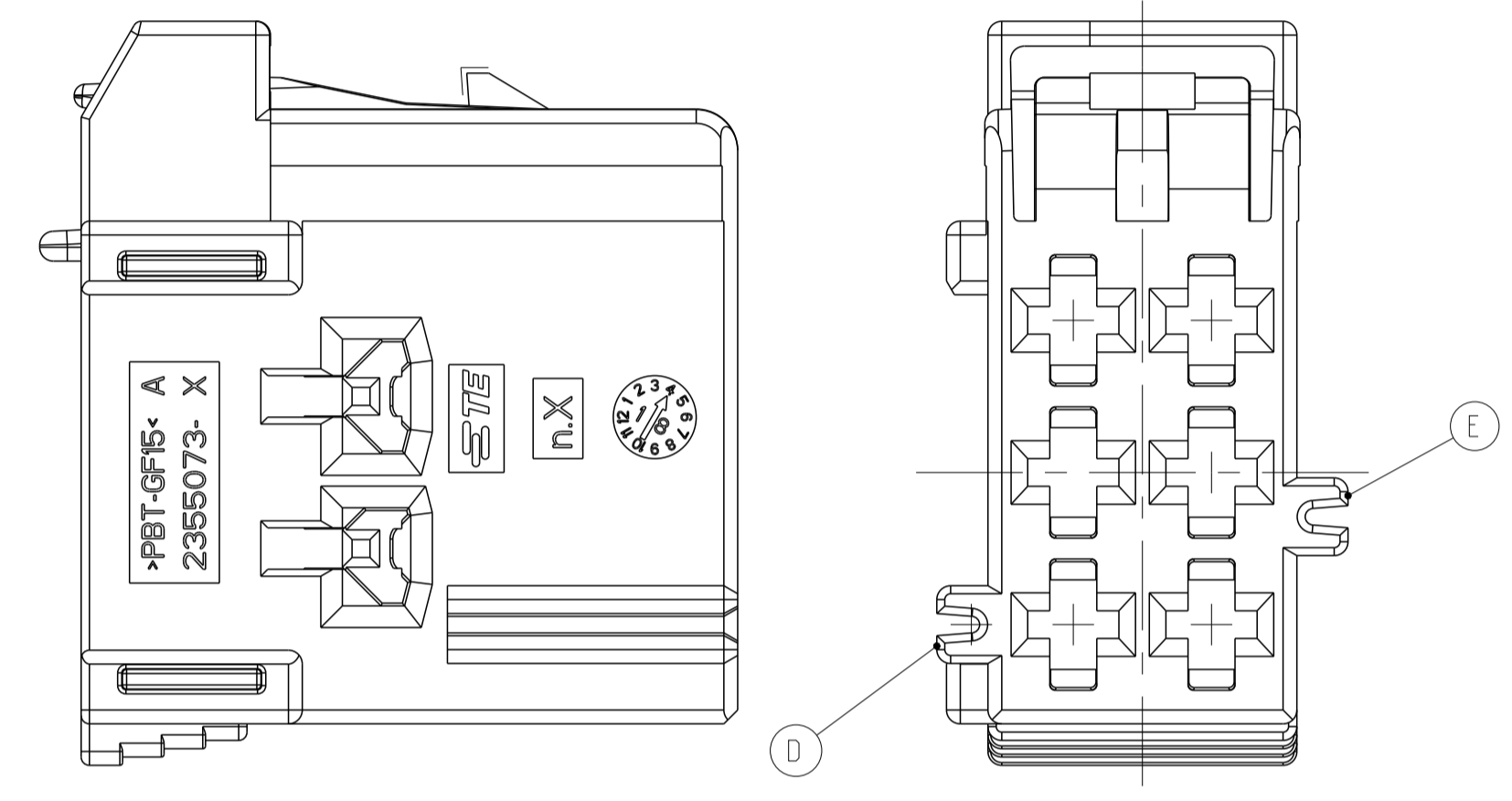
2355073-1 & 1-2355073-1, AS SHOWN  
 BASIC CODING A = RIBS B-C



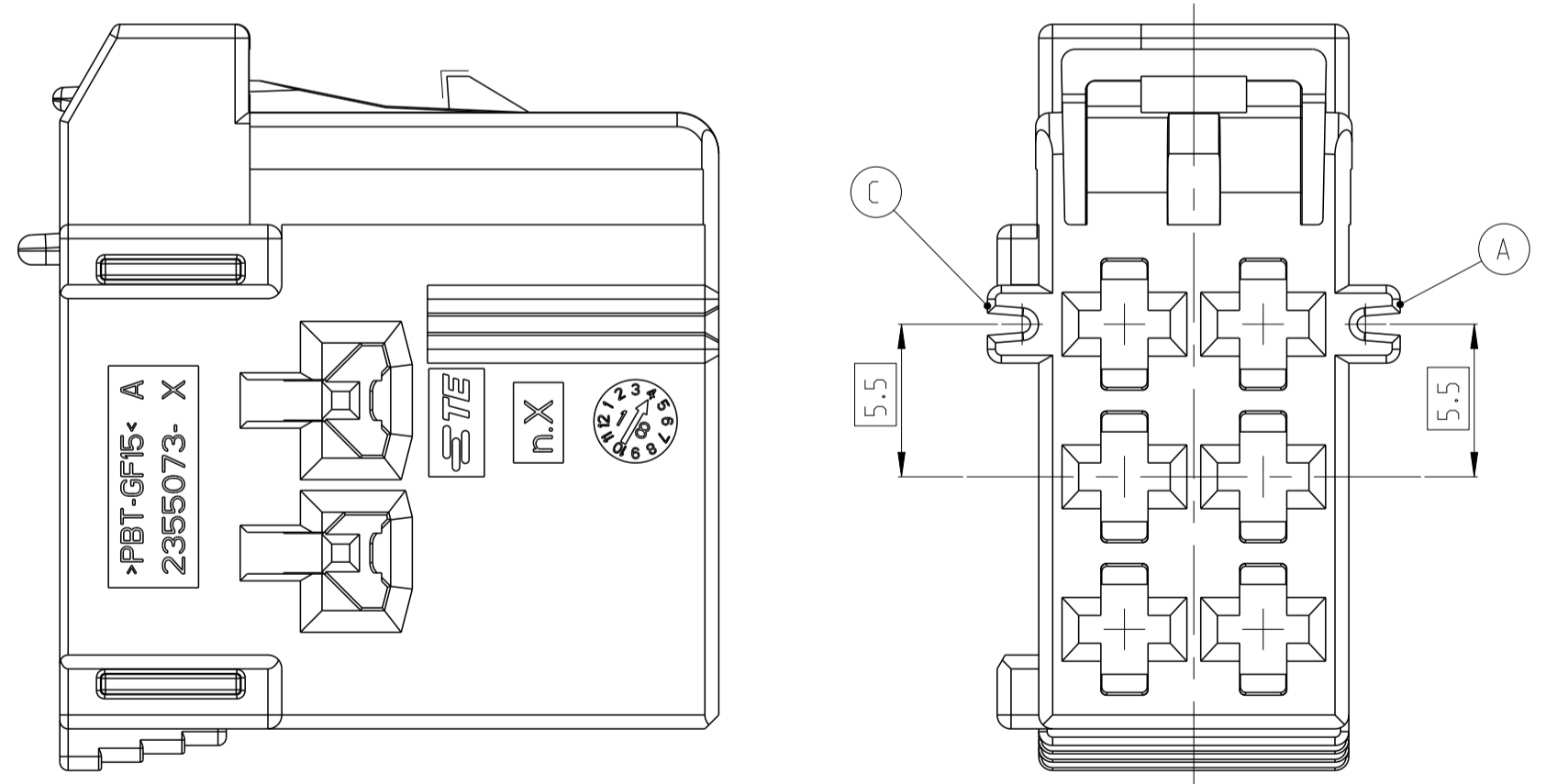
2355073-3, AS SHOWN  
 BASIC CODING C = RIBS B-D



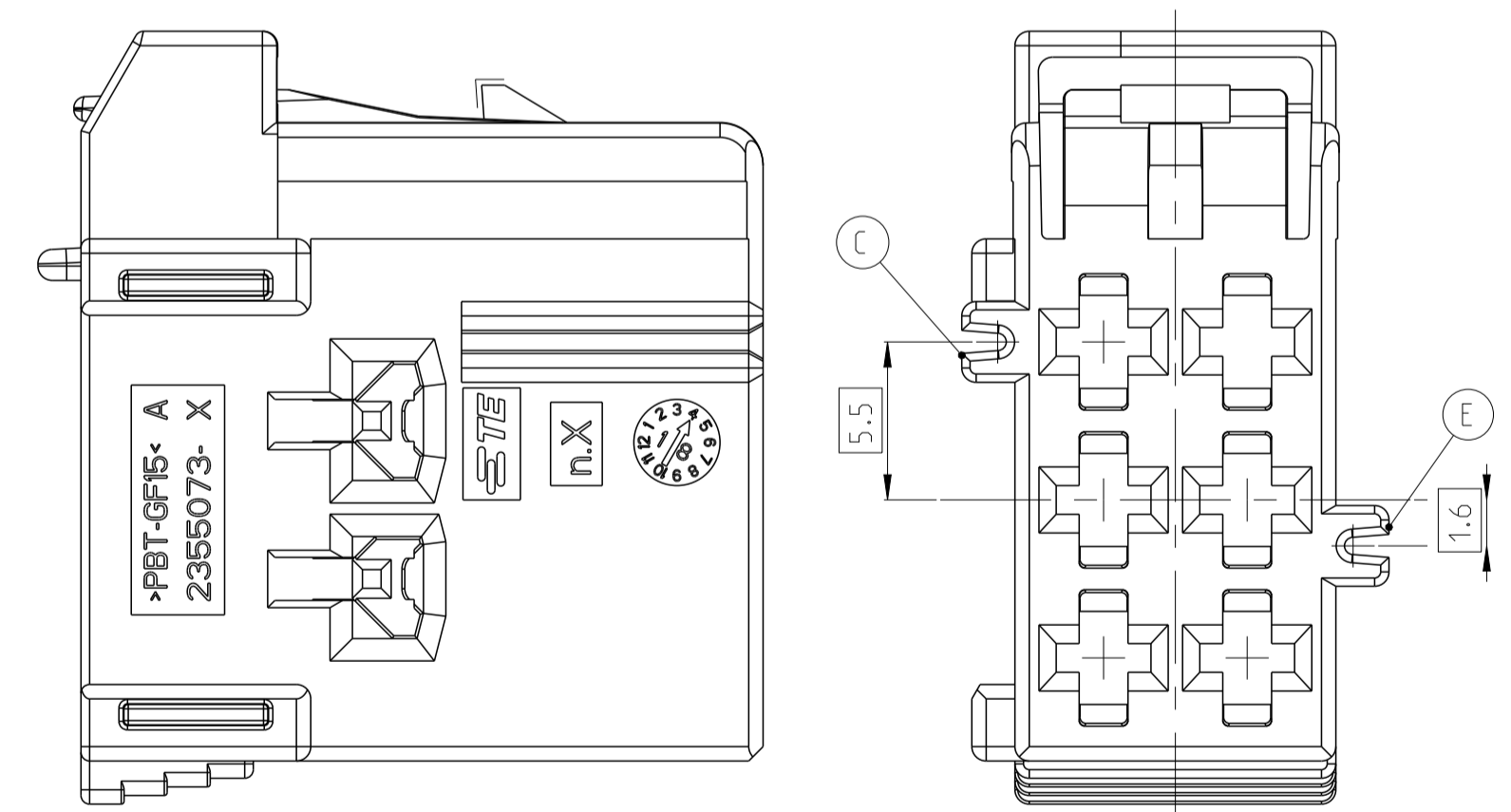
BASIC CODING E = RIBS D-E  
 2355073-5, AS SHOWN



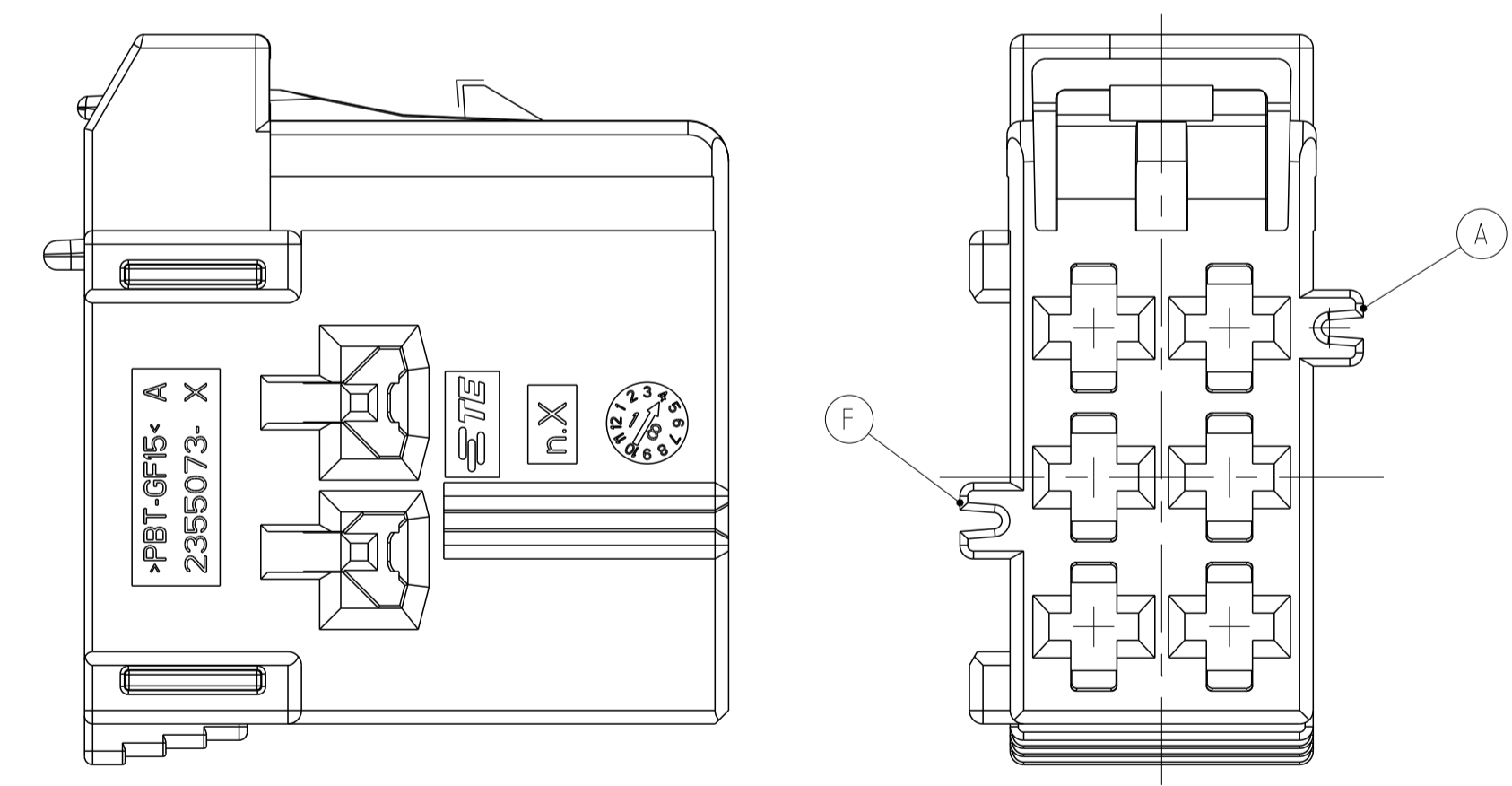
2355073-2, AS SHOWN  
 BASIC CODING B = RIBS A-C



2355073-4, AS SHOWN  
 BASIC CODING D = RIBS C-E



BASIC CODING F = RIBS F-A  
 2355073-6, AS SHOWN



THIS DRAWING IS A CONTROLLED DOCUMENT.		OWN: W. WANG 30NDV2021	TE Connectivity NAME: AMP MCP 2.8. REC HSG. UNSLD FOR 6POS. PRODUCT SPEC: 108-32326 APPLICATION SPEC:
DIMENSIONS: mm		CHK: C. W. AN 30NDV2021	
TOLERANCES UNLESS OTHERWISE SPECIFIED: 0 PLC ± 1 PLC ±0.2 2 PLC ±0.2 3 PLC ±0.2 4 PLC ±0.2 ANGLES ±3° FINISH:		APVD: Z. ZHOU 30NDV2021	SIZE: A1
MATERIAL: -		WEIGHT: -	SCALE: 4:1
CUSTOMER DRAWING		REVISIONS: 00779 ©=2355073	SHEET 2 OF 2