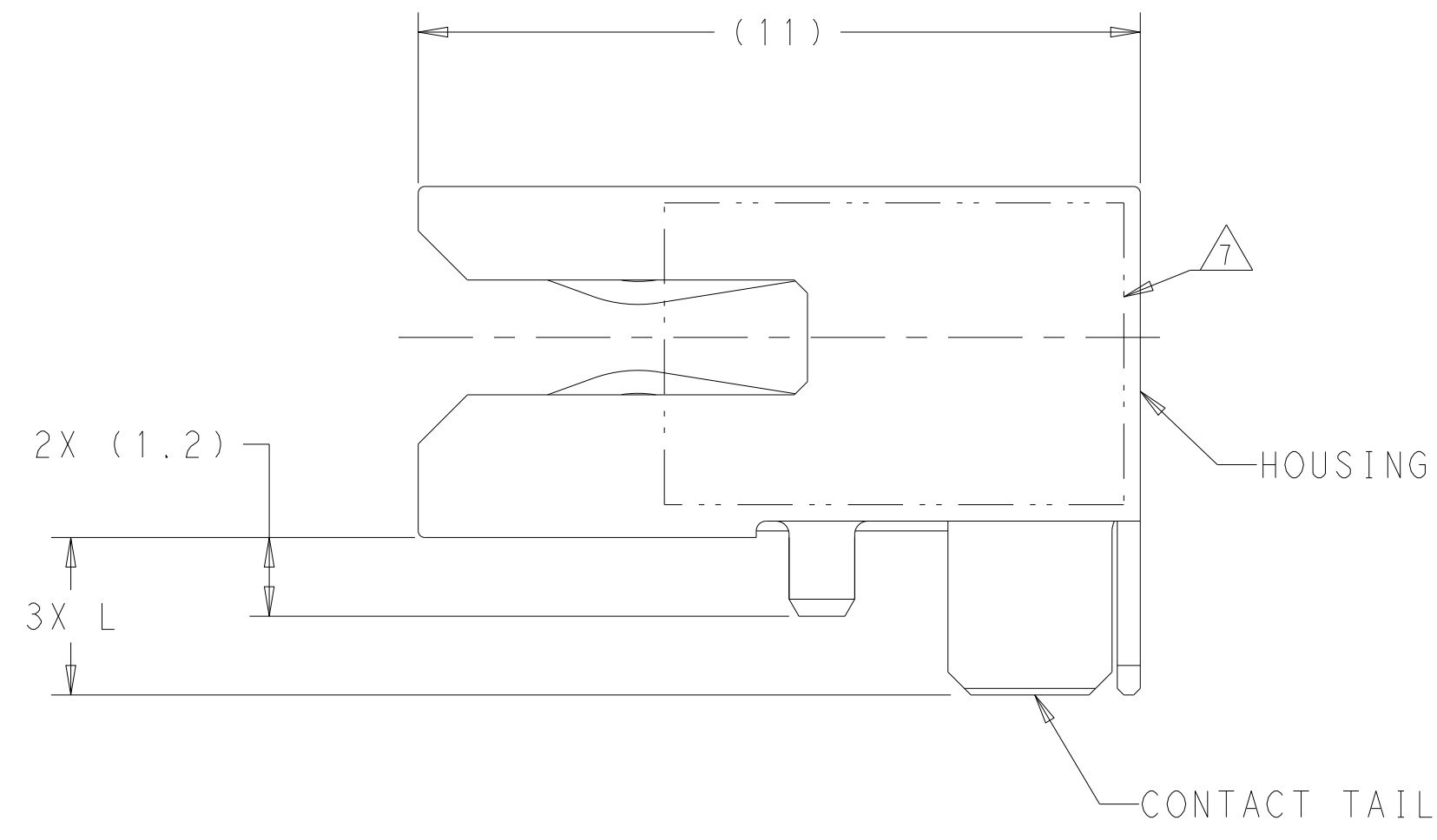
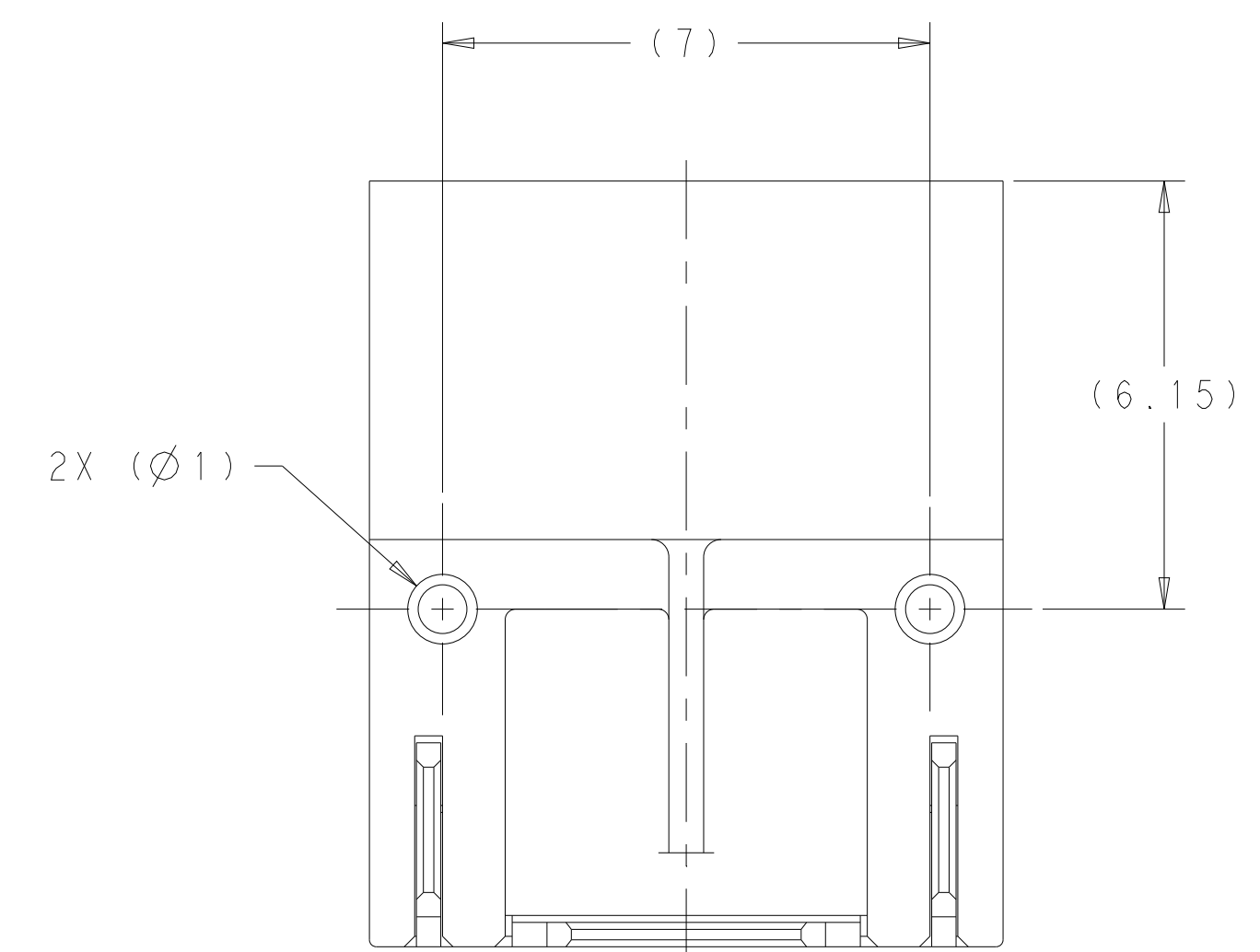
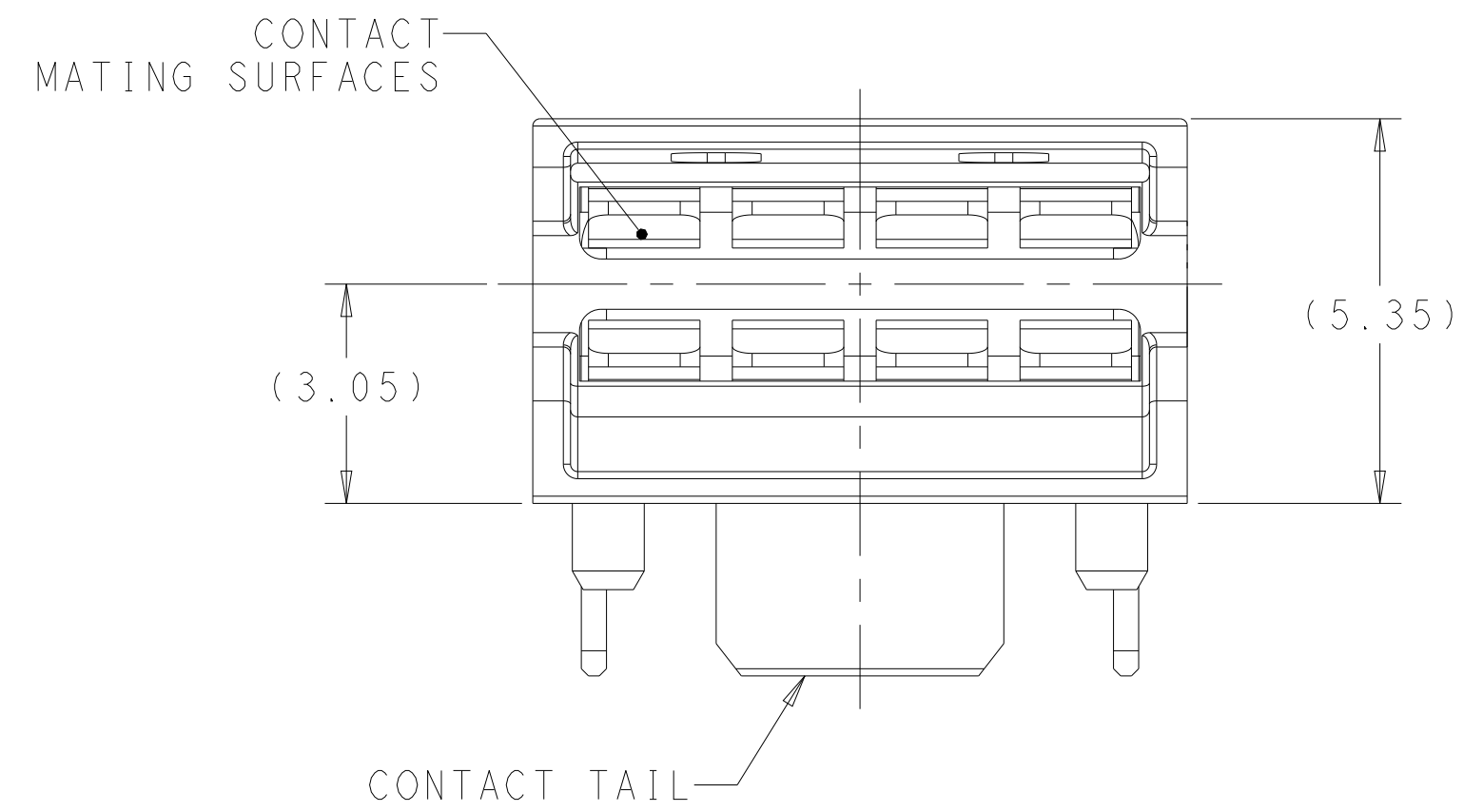
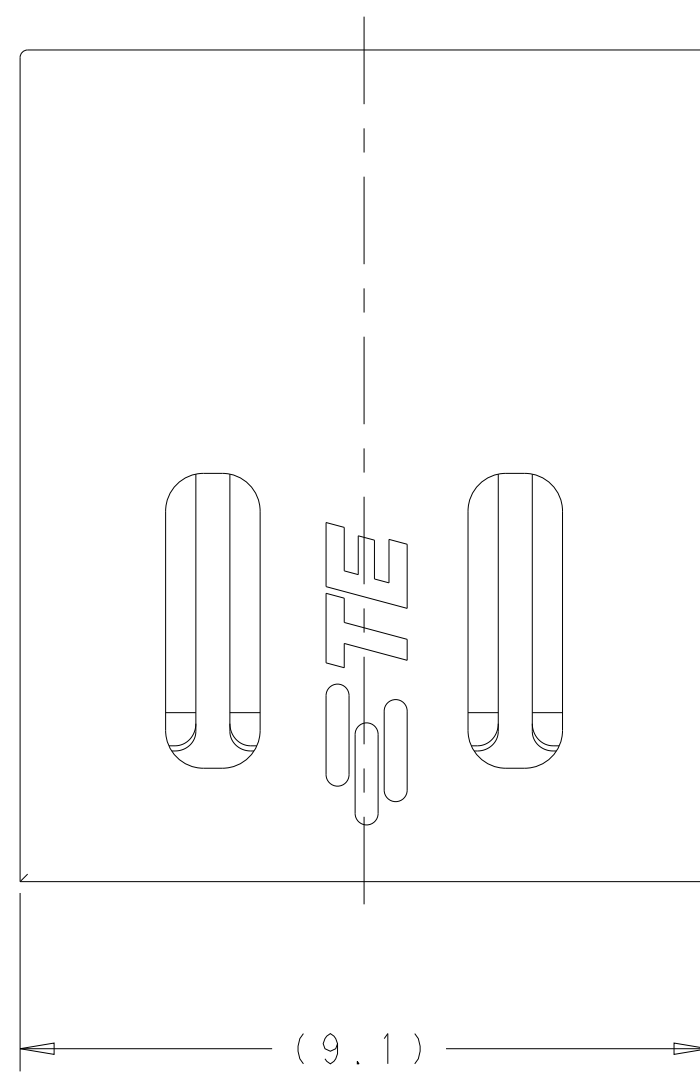
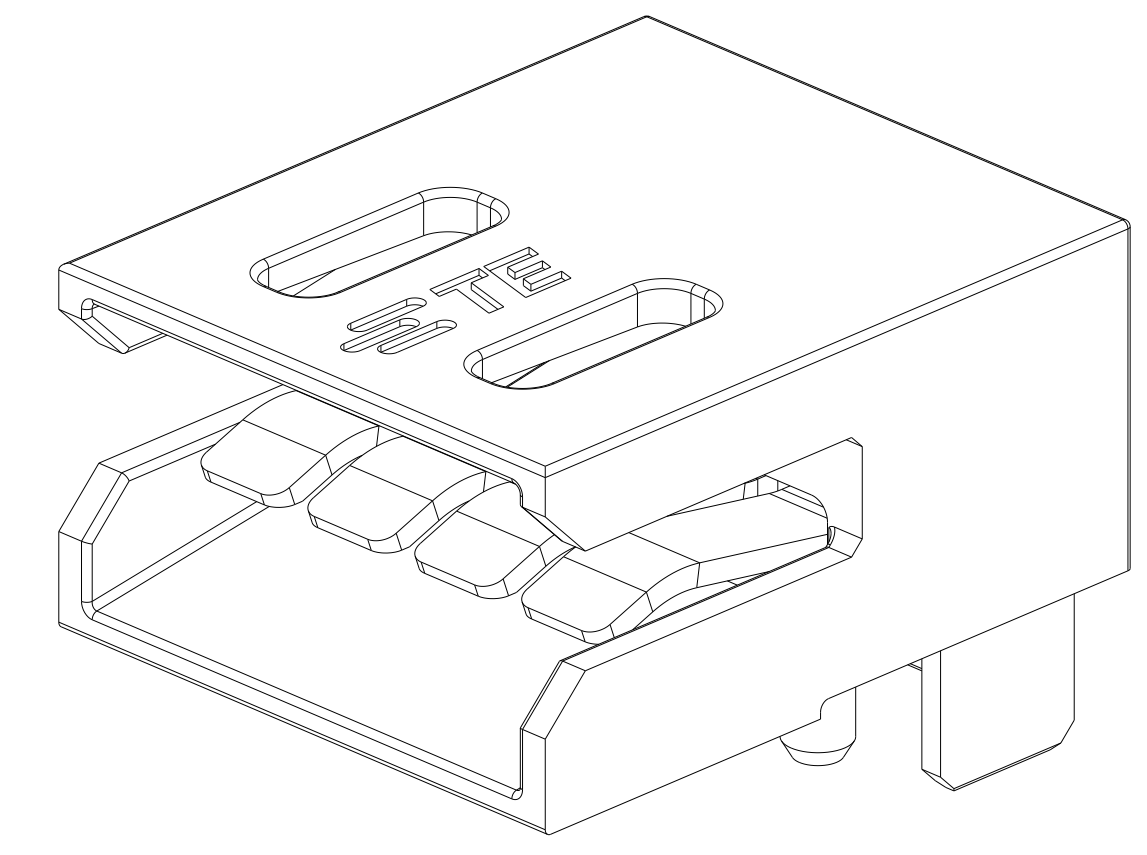


REVISIONS				
P	LTN	DESCRIPTION	DATE	APVD
A1		ECN-22-133227	04JAN2022	HA DS



- △ HOUSING - LCP, BLACK.
CONTACTS - COPPER ALLOY.
- △ CONFORMS TO THE REQUIREMENTS OF TE PRODUCT SPECIFICATION 108-130028 BASED ON TELCORDIA GR-1217-CORE FOR SYSTEM QUALITY LEVEL III, APPLICATIONS IN CONTROLLED ENVIRONMENTS (CENTRAL OFFICE). REFERENCE: CONTACT MATE AREAS PLATED 0.38um MIN GOLD OR 0.03um MIN GOLD OVER 0.30um MIN PALLADIUM NICKEL, SOLDER TAILS PLATED MATTE-TIN.
- △ DATUMS AND BASIC DIMENSIONS ESTABLISHED BY CUSTOMER.
- 4. MINIMUM HOST PCB THICKNESS: 1.5.
- △ SEE MSA SPECIFICATION SFF-1002 FOR ADDITIONAL PADDLE CARD LAYOUTS COMPATIBLE WITH THIS RECEPTACLE AND FOR OPTIONAL SPLIT CONTACT PAD LAYOUTS FOR THE PADDLE CARD. SPECIFICATION PINOUT MAY ALSO DESIGNATE PAD SEQUENCE DIFFERENT FROM ILLUSTRATION.
- △ COMPONENT AND TRACE KEEP OUT AREA. EACH EDGE 0.15 MIN FROM EDGE OF HOLE.
- △ PART NUMBER AND DATE CODE MARKED IN APPROXIMATE AREA SHOWN.
- △ TAPE AND REEL PACKAGED FOR PICK AND PLACE SMT PROCESSING, SEE FIGURE 1. POCKET TAPE : WIDTH = 24
- △ CONFORMS TO THE REQUIREMENTS OF TE PRODUCT SPECIFICATION 108-130028 BASED ON TELCORDIA GR-1217-CORE FOR SYSTEM QUALITY LEVEL III, APPLICATIONS IN CONTROLLED ENVIRONMENTS (CENTRAL OFFICE). REFERENCE: CONTACT MATE AREAS PLATED 0.76um MIN GOLD.



△ 9	(1.2)	2351970-4
△ 9	(2.4)	2351970-3
△ 2	(1.2)	2351970-2
△ 2	(2.4)	2351970-1
PLATING	L	PART NUMBER

THIS DRAWING IS A CONTROLLED DOCUMENT.

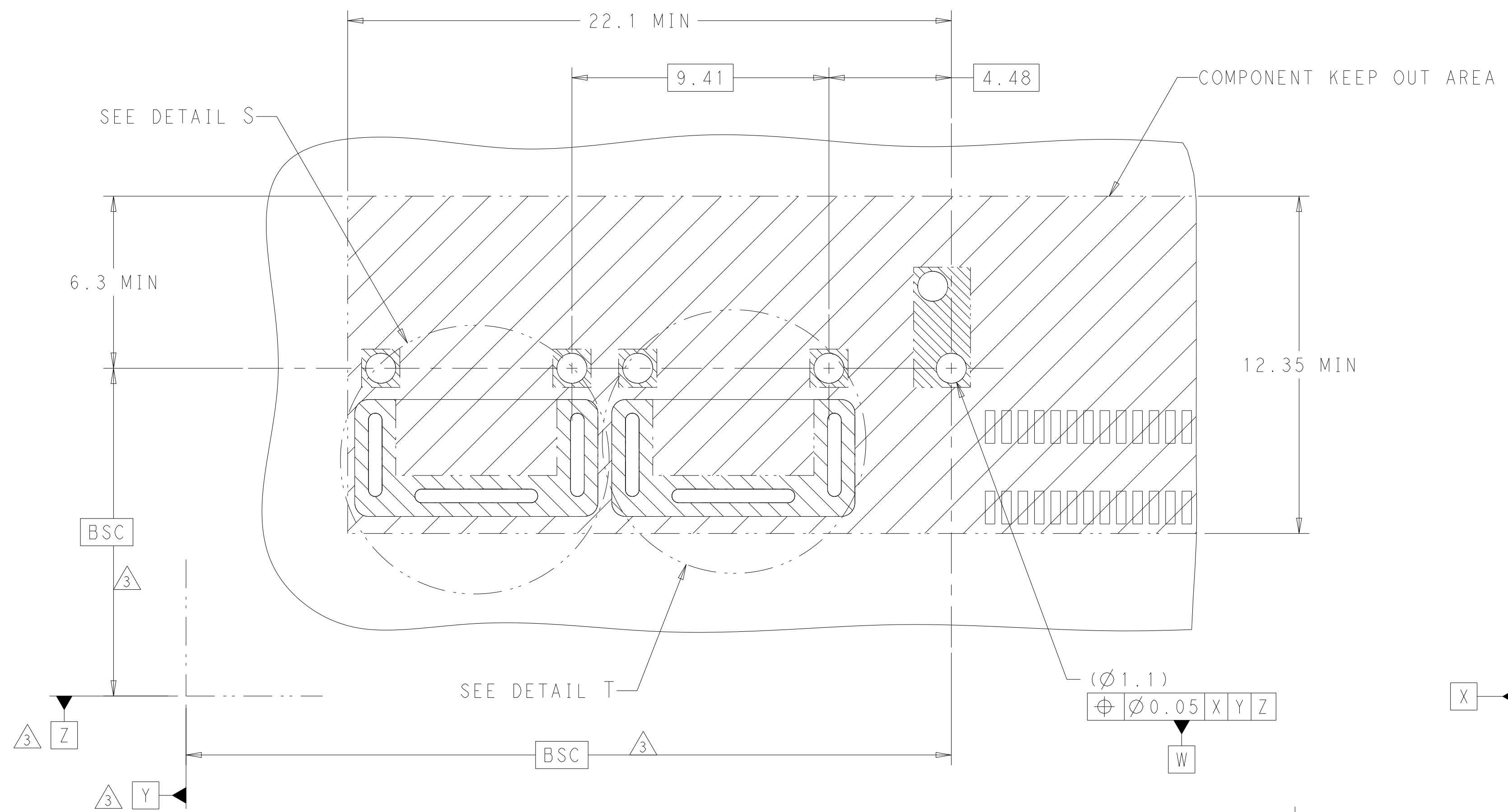
DIMENSIONS:	TOLERANCES UNLESS OTHERWISE SPECIFIED:	OWN	M. HORNING	26FEB2019
mm	0 PLC ±	CHK	M. HORNING	26FEB2019
	1 PLC ±0.1	APVD	D. SHIRK	26FEB2019
	2 PLC ±0.13	PRODUCT SPEC		
	3 PLC ±0.050	108-130028		
	4 PLC ±	APPLICATION SPEC		
	ANGLES ±	114-130013		
	FINISH ±	WEIGHT		
MATERIAL				

RECEPTACLE ASSEMBLY, RIGHT ANGLE
SLIVER POWER

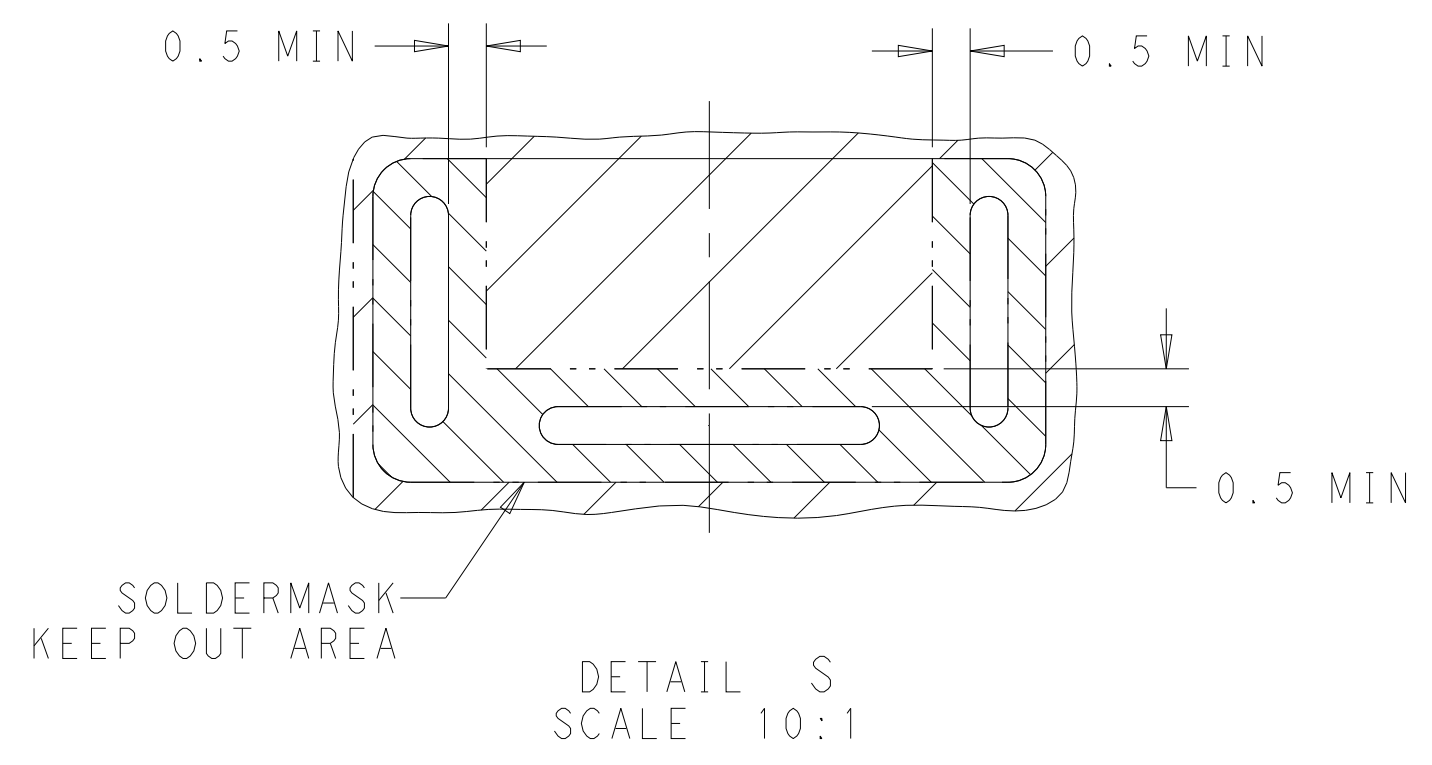
SIZE CAGE CODE DRAWING NO RESTRICTED TO
A1 00779 C=2351970 -

CUSTOMER DRAWING SCALE 1:1 SHEET 1 OF 4 REV A1

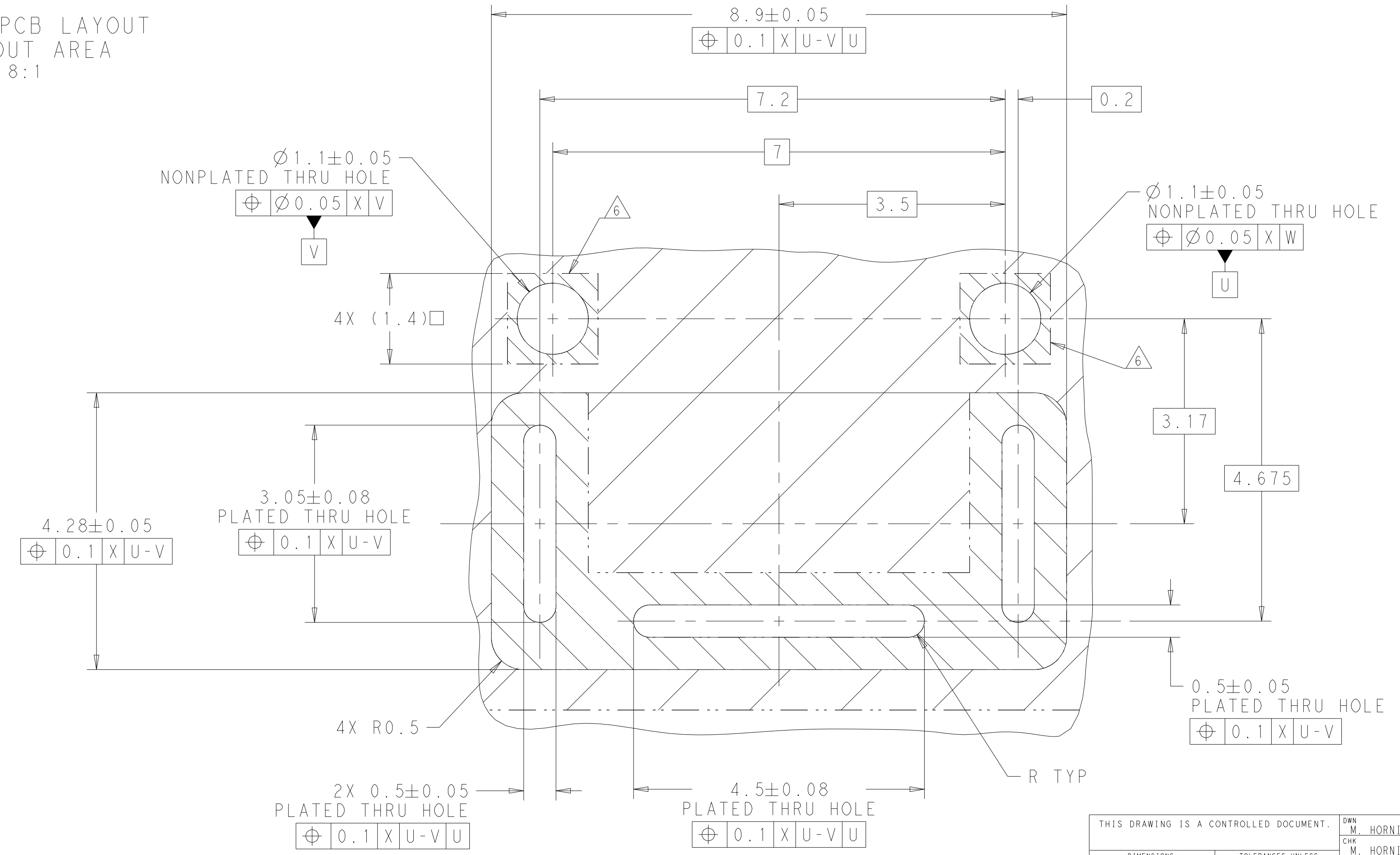
REVISIONS				
P	LTN	DESCRIPTION	DATE	APVD
-	-	SEE SHEET 1	-	-



RECOMMENDED PCB LAYOUT AND KEEP OUT AREA
 SCALE 8:1



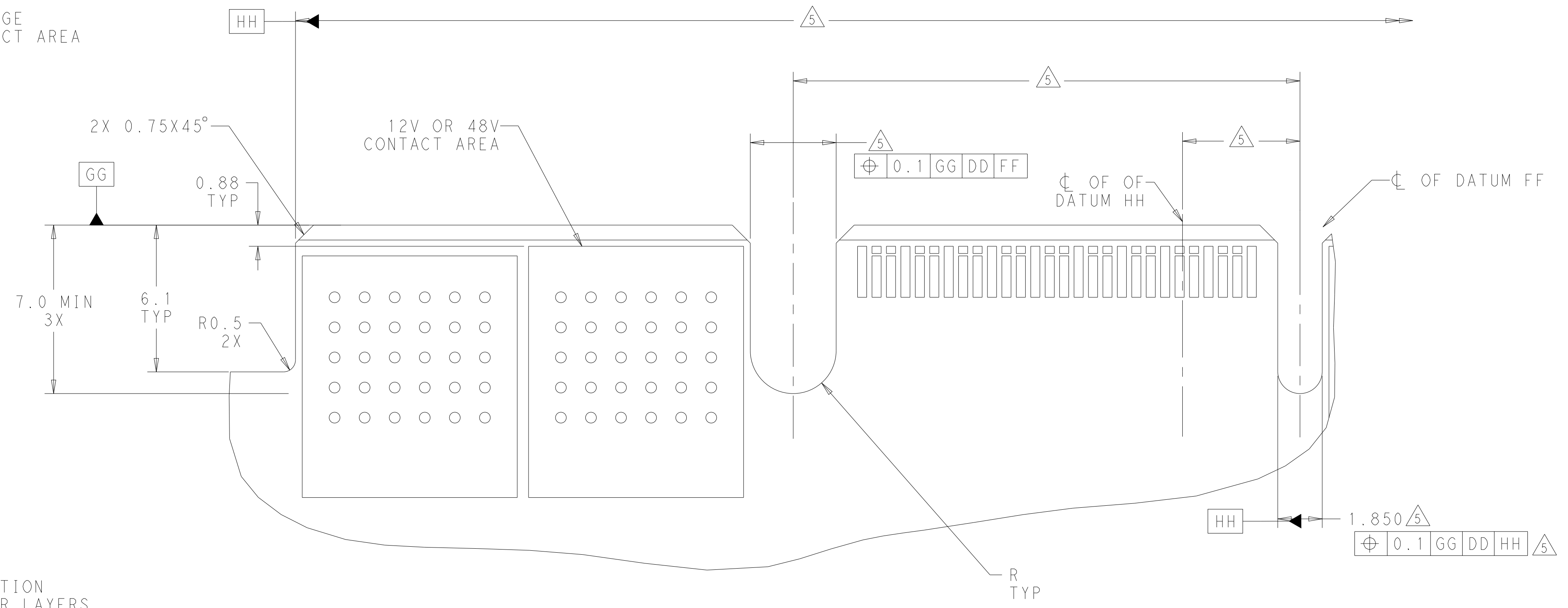
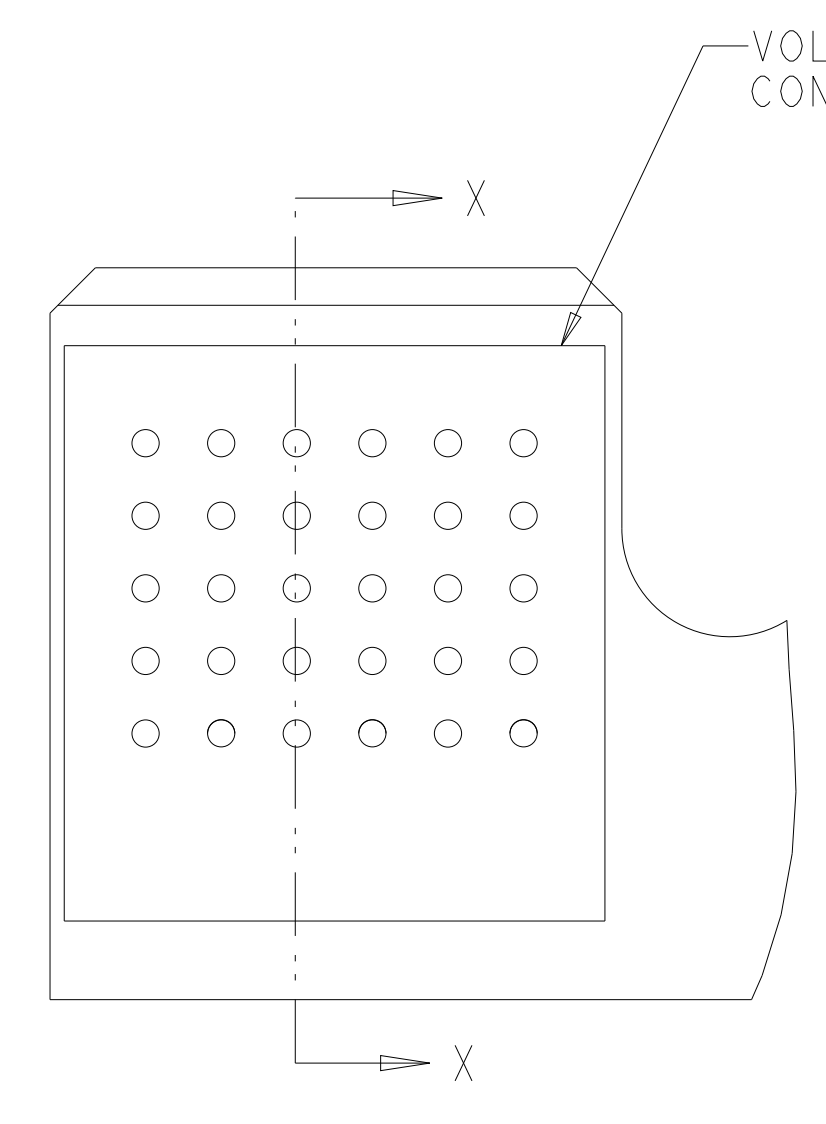
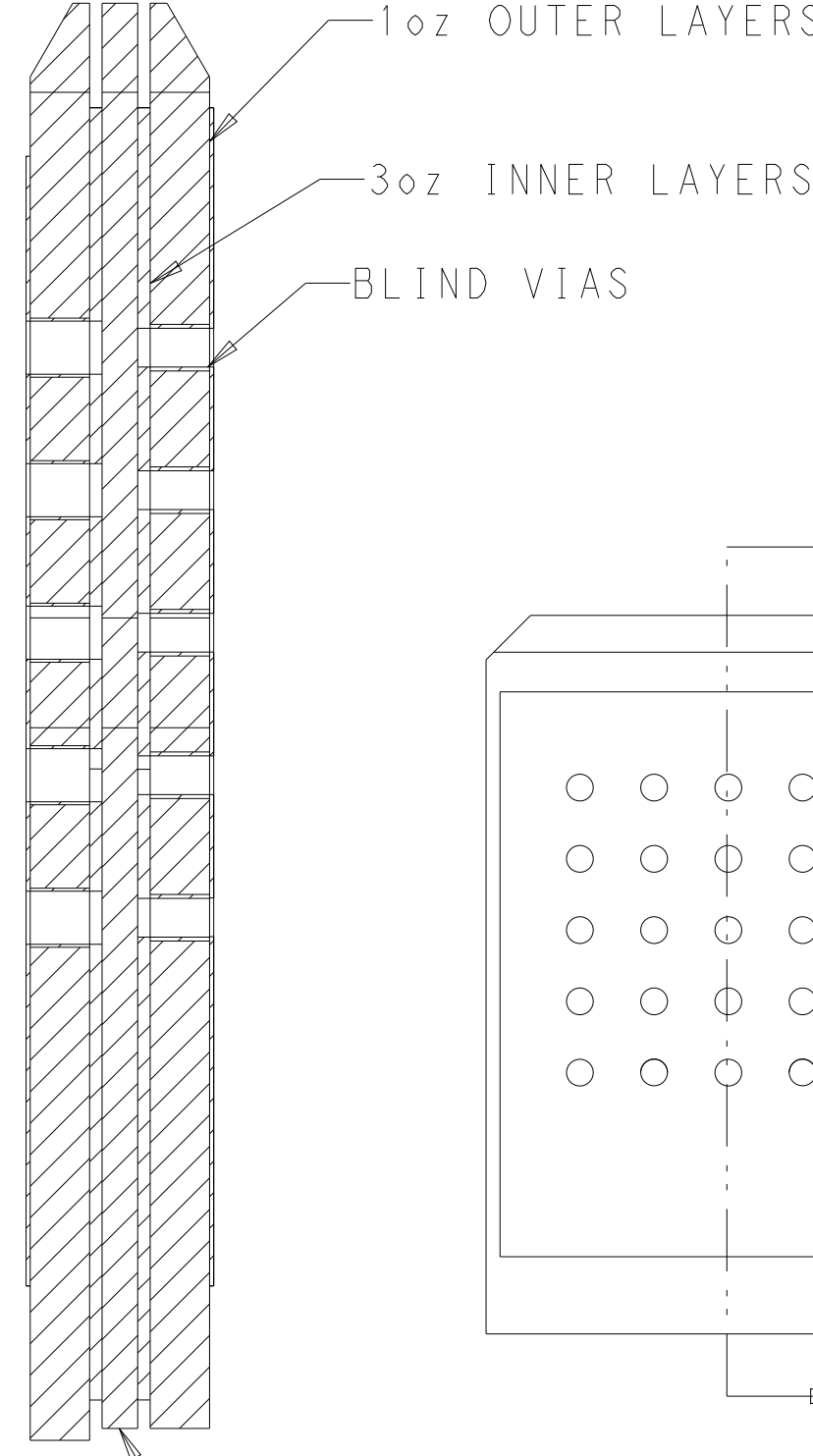
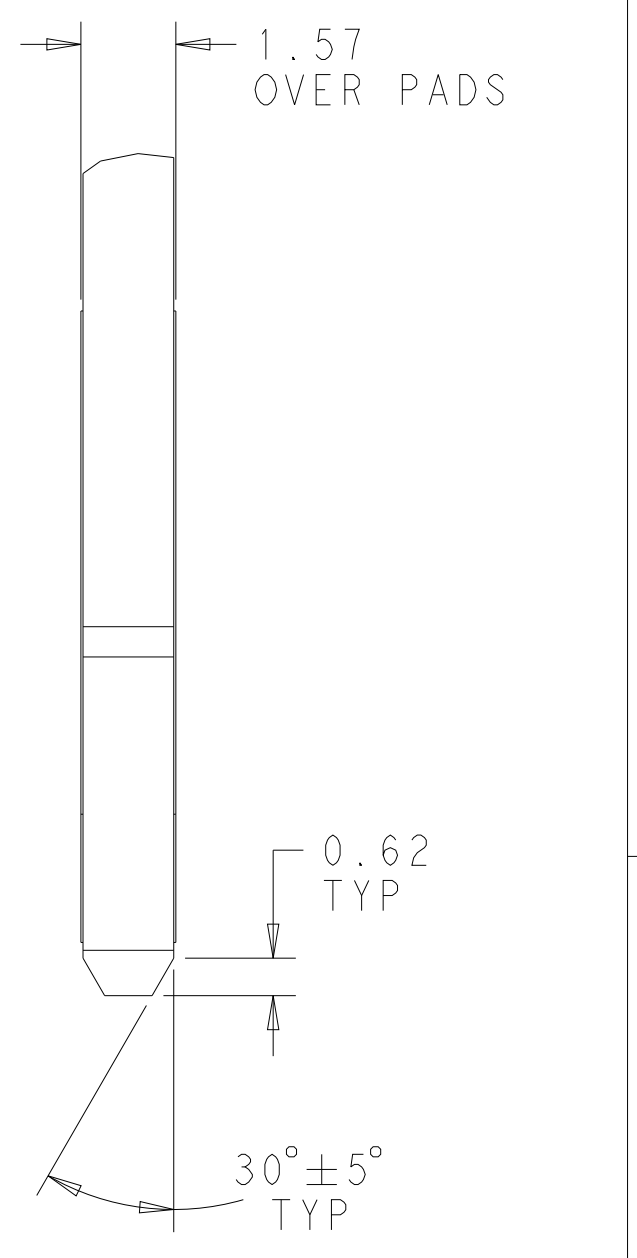
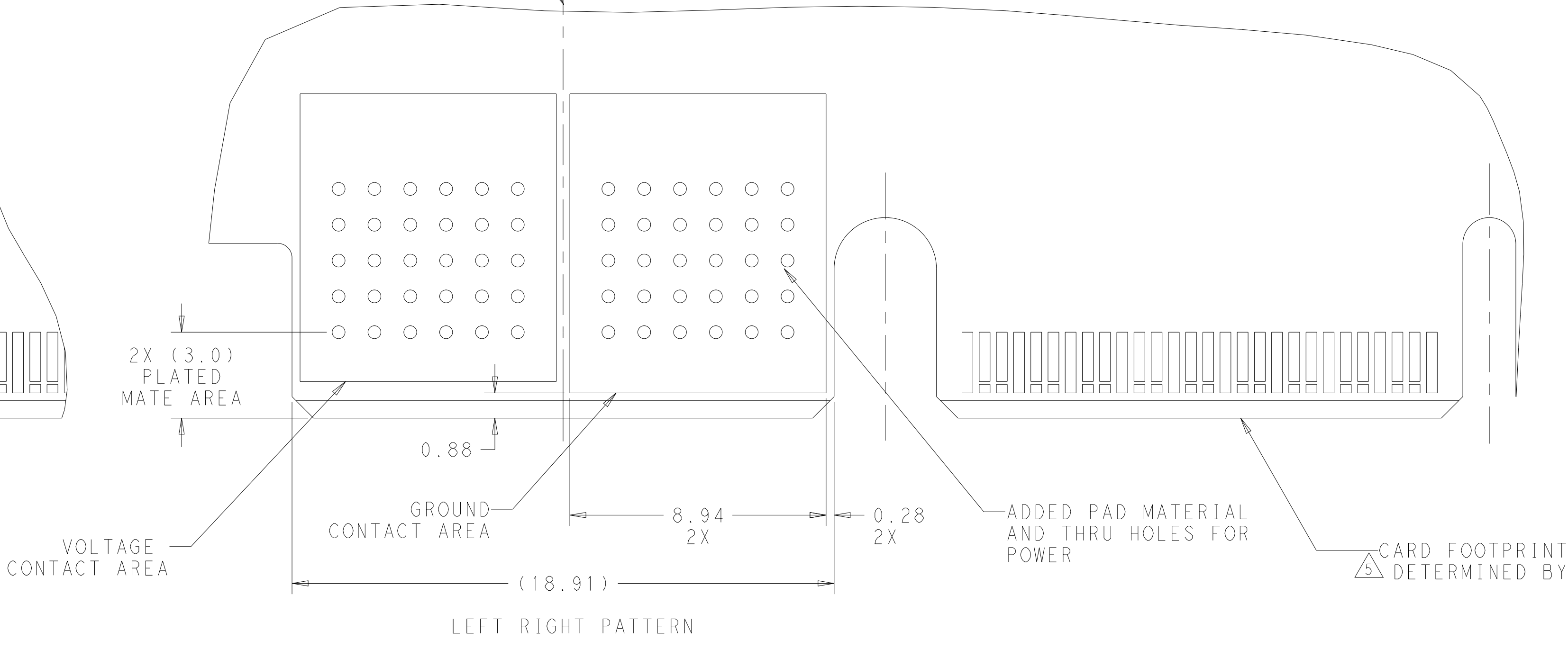
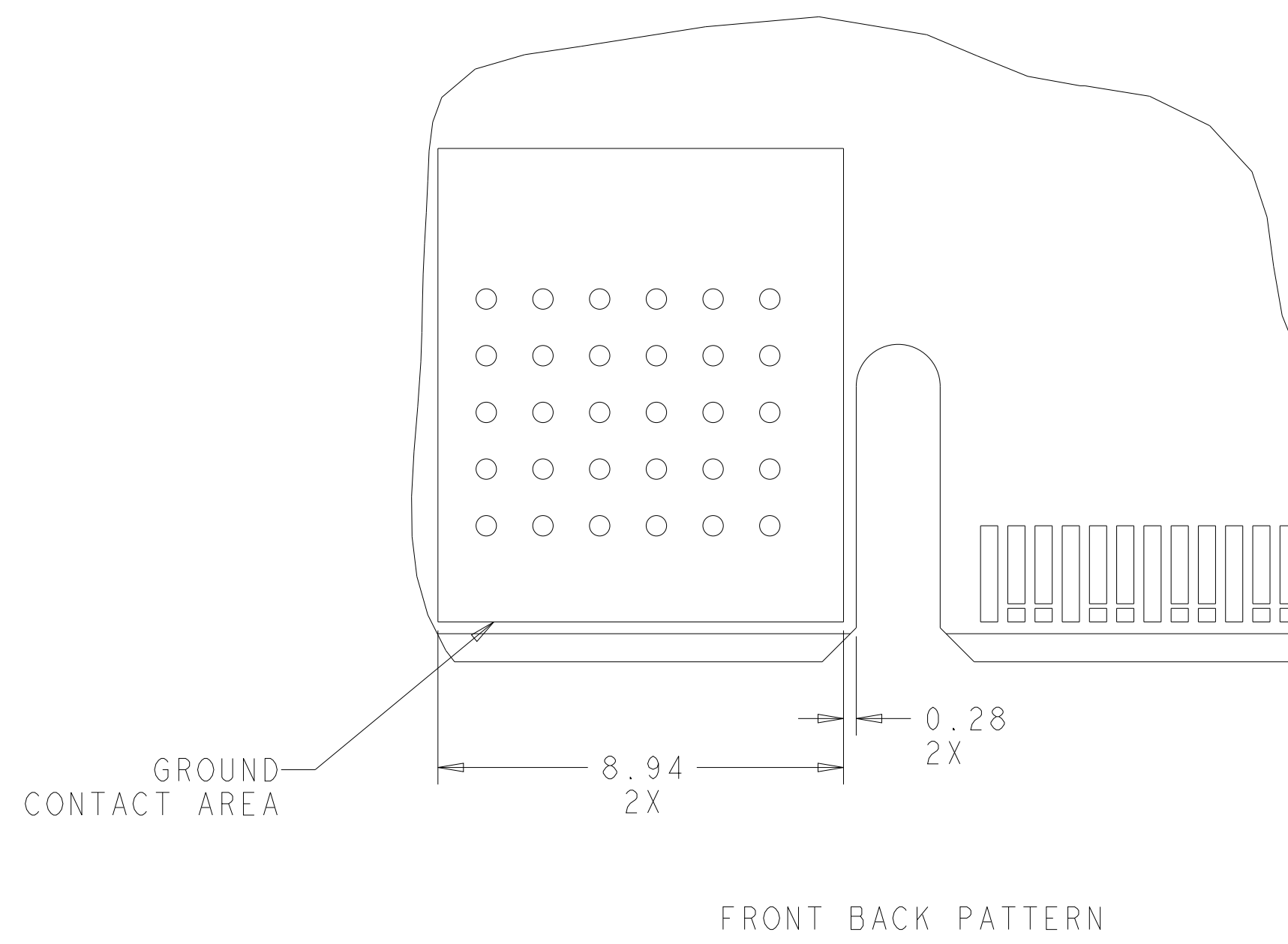
DETAIL S
 SCALE 10:1



DETAIL T
 SCALE 20:1

THIS DRAWING IS A CONTROLLED DOCUMENT.		DWN M. HORNING 26FEB2019 CHK M. HORNING 26FEB2019 APVD D. SHIRK 26FEB2019	TE Connectivity NAME RECEPTACLE ASSEMBLY, RIGHT ANGLE SLIVER POWER PRODUCT SPEC 108-130028 APPLICATION SPEC 114-130013	SIZE A1 CAGE CODE 00779 DRAWING NO. C=2351970	RESTRICTED TO
DIMENSIONS: mm 0 PLC ±0.1 1 PLC ±0.13 2 PLC ±0.050 3 PLC ±0.050 4 PLC ±0.050 ANGLES FINISH ±	TOLERANCES UNLESS OTHERWISE SPECIFIED:	WEIGHT CUSTOMER DRAWING		SCALE 1:1 SHEET 2 OF 4 REV A1	

REVISIONS				
P	LTN	DESCRIPTION	DATE	APVD
-	SEE SHEET 1			



30VIA HOLES AS SHOWN ALLOW CONDUCTION FROM MATING SURFACE TO THICK INNER LAYERS. FRONT BACK: PATTERN ARE BLIND VIAS LEFT RIGHT: PATTERN ARE THROUGH HOLES

RECOMMENDED PCB (12V GEOMETRY SHOWN) OUTLINE DIMENSIONS. TOLERANCE VALUES ARE CRITICAL. PLEASE BE SURE TO DESIGNATE TOLERANCES TO PCB SUPPLIER TO ENSURE OPTIMIZED FUNCTIONALITY.

THIS DRAWING IS A CONTROLLED DOCUMENT.		OWN M. HORNIG 26FEB2019	STE TE Connectivity
DIMENSIONS: mm		CHK M. HORNIG 26FEB2019	
TOLERANCES UNLESS OTHERWISE SPECIFIED:		APVD D. SHIRK 26FEB2019	NAME RECEPTACLE ASSEMBLY, RIGHT ANGLE SLIVER POWER
0 PLC ±	1 PLC ±0.1	PRODUCT SPEC	108-130028
2 PLC ±0.13	3 PLC ±0.050	APPLICATION SPEC	114-130013
4 PLC ±	ANGLES ±	SIZE CAGE CODE DRAWING NO	A100779C=2351970
MATERIAL	FINISH	WEIGHT	RESTRICTED TO
		CUSTOMER DRAWING	SCALE 1:1 SHEET 3 OF 4 REV A1

REVISIONS				
P	LTN	DESCRIPTION	DATE	APVD
-		SEE SHEET 1	-	-

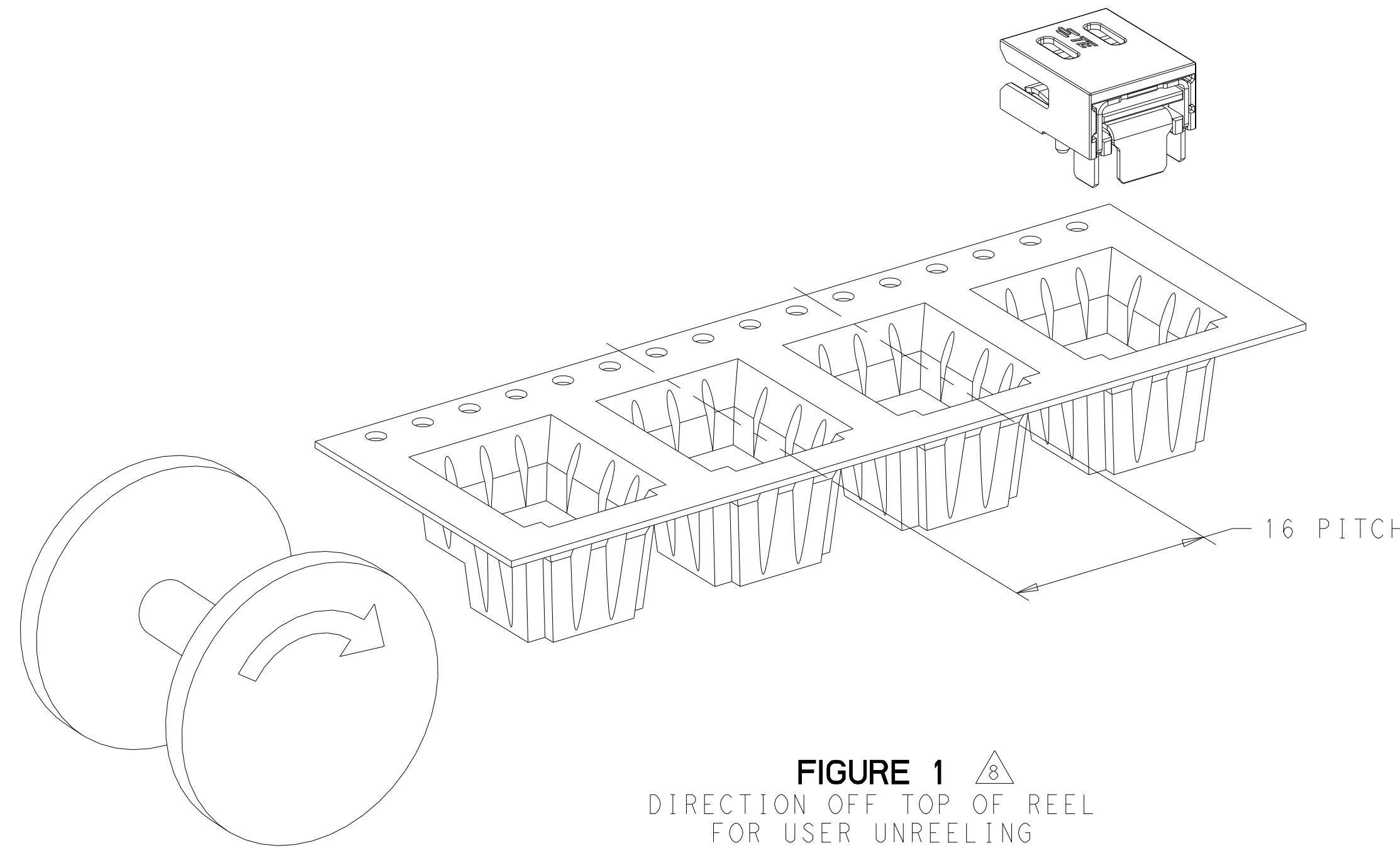




FIGURE 1 
 DIRECTION OFF TOP OF REEL
 FOR USER UNREELING
 SCALE 3:1

THIS DRAWING IS A CONTROLLED DOCUMENT.		DWN M. HORNIG 26FEB2019 CHK M. HORNIG 26FEB2019 APVD D. SHIRK 26FEB2019	 TE Connectivity
DIMENSIONS: mm	TOLERANCES UNLESS OTHERWISE SPECIFIED: 0 PLC ± 1 PLC ±0.1 2 PLC ±0.13 3 PLC ±0.050 4 PLC ± ANGLES ± FINISH ±	NAME RECEPTACLE ASSEMBLY, RIGHT ANGLE SLIVER POWER PRODUCT SPEC 108-130028 APPLICATION SPEC 114-130013 WEIGHT -	
MATERIAL -		SIZE A1 CAGE CODE 00779 DRAWING NO. C=2351970 CUSTOMER DRAWING	RESTRICTED TO - SCALE 10:1 SHEET 4 OF 4 REV A1