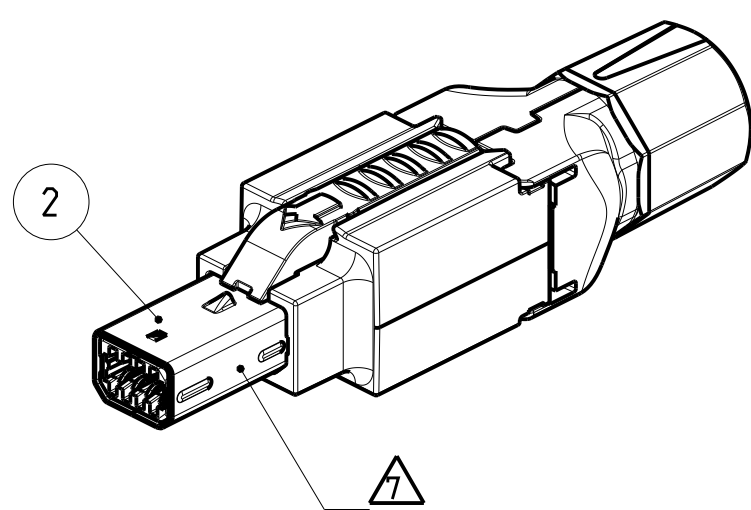
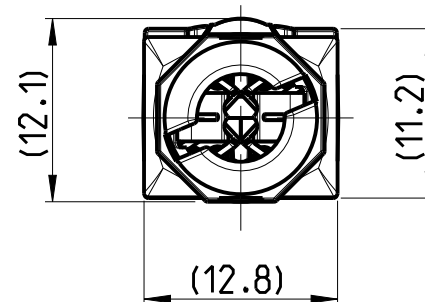
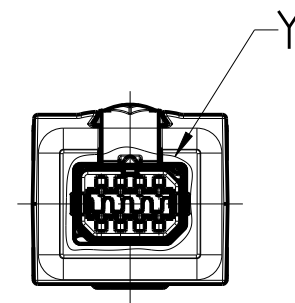
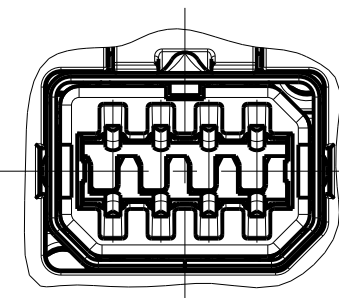


REVISIONS		DATE	DWN	APVD
P	LTR	DESCRIPTION		
1		NEW PRELIMINARY DRAWING	1FEB2020	ER JDB
A1		RELEASE TO PRODUCTION	19MAR2021	SS MSZ

TYPE II U-SHAPE ASSEMBLY STATE

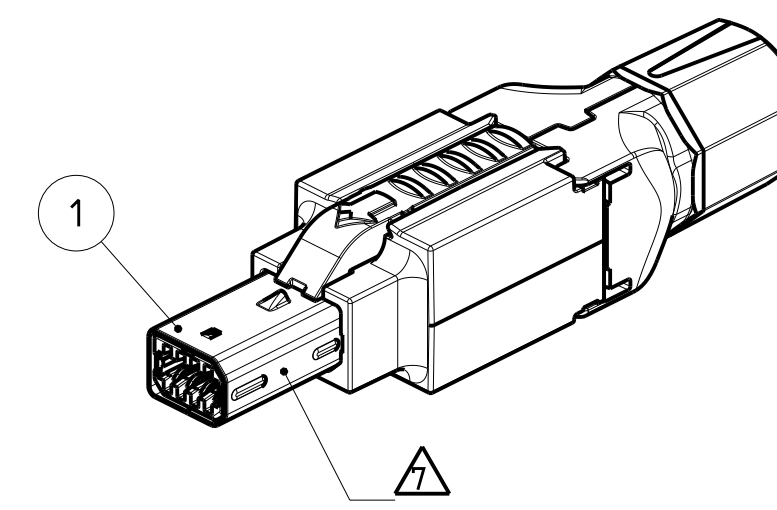
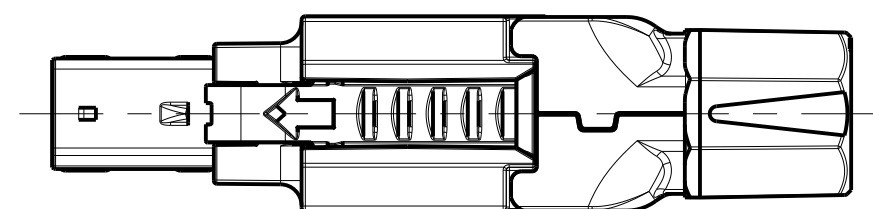
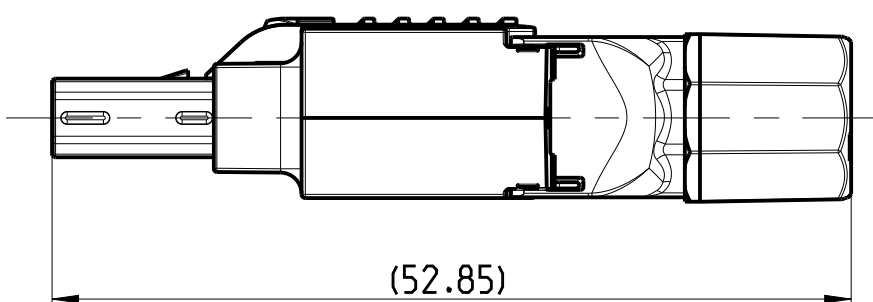
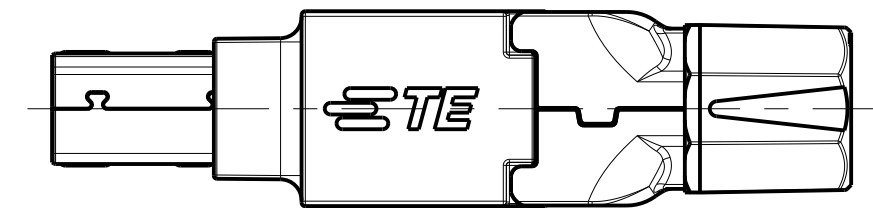
NOT SPECIFIED NOTES AND DIMENSIONS SEE -1

DETAIL Y
TYPE II, U-SHAPE
SCALE 5:1



-2 AS SHOWN

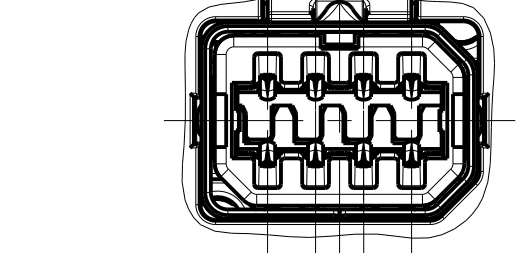
TYPE I, D-SHAPE ASSEMBLY STATE



-1 AS SHOWN

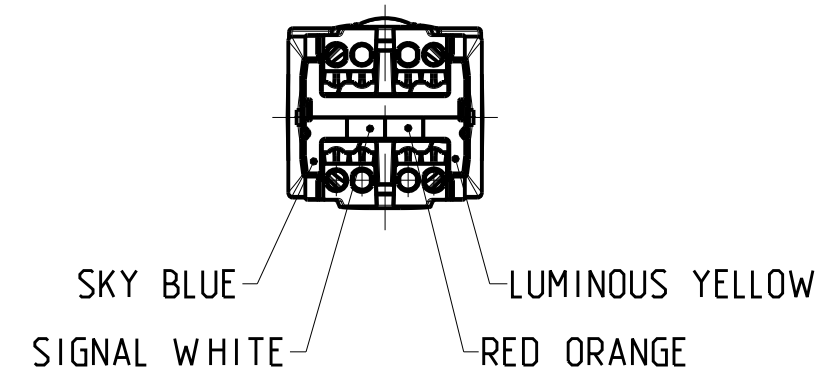
DETAIL X
TYPE I, D-SHAPE
SCALE 5:1

CONTACT 4 CONTACT 6
CONTACT 2 CONTACT 8



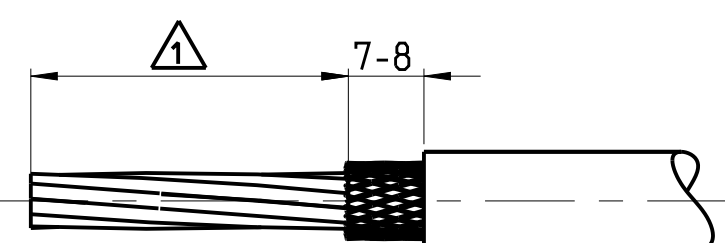
CONTACT 1 CONTACT 7
CONTACT 3 CONTACT 5

DELIVERY STATE



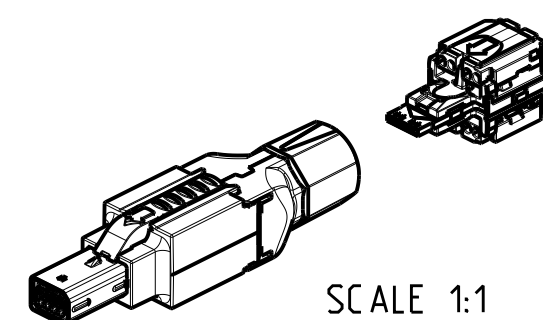
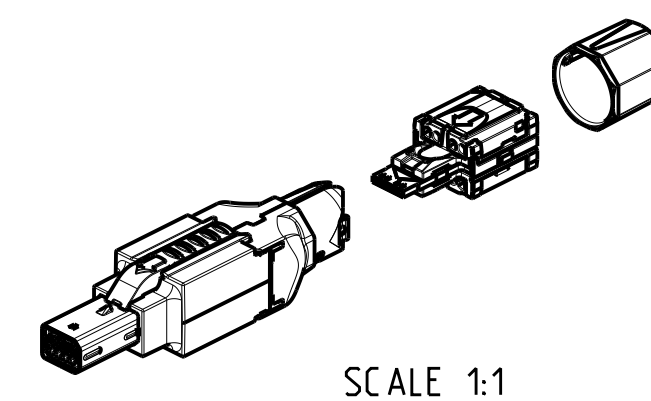
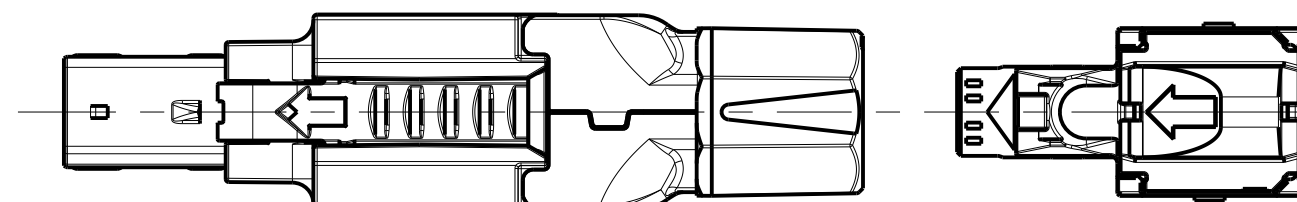
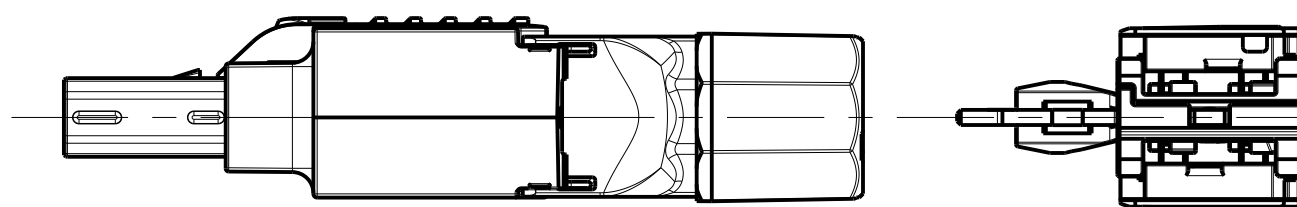
CABLE: 4 POS. AWG 26 STRANDED OR SOLID

RECOMMENDED STRIPPING LENGTH



COLOR ALLOCATION OF MINI IO CONTACTS 4 POS. TYPE:

CONTACT NO.	WIRE COLOR
1	YELLOW
2	ORANGE
3	WHITE
6	BLUE



- △ RECOMMENDED LENGTH OF DISMANTLED CABLE MIN. 40mm ACC. APPLICATION SPEC. 114-94602
- △ SINGLE PACKAGING: 1 PIECE OF EACH COMPONENT PACKED IN A FOLDING CARTON WITH AN INSTRUCTION SHEET FOLDING CARTON PACKED IN A CORRUGATED SHIPPING BOX. SEE PACKAGING APC. 107-18136
- △ MULTI PACKAGING: PACKED IN A SMALL BOX AND SEPARATED BY AN CORRUGATED SPACER. 60 PIECES OF CONNECTOR ASSEMBLED WITH A BAYONET NUT AND 60 PIECES OF TERMINATION UNITS WITH ONE INSTRUCTION SHEET. SEE PACKAGING SPEC. 107-18136
- 4 APPLICATION SEE INSTRUCTION SHEET 408-18020-2
- 5 WIRE SIZE AWG 26: OUTSIDE DIAMETER 0.90-1.20mm CABLE OUTSIDE-DIAMETER 4.6 - MAX. 5.7
- 6 CONNECTOR ACC. TO IEC 61076-3-122, ISSUED 2018. CONNECTOR COMPATIBLE WITH MINI IO FAMILY
- △ COATED SURFACE (TOUCHING IS NOT RECOMMENDED TO AVOID REMOVAL OF COATING DURING HANDLING PROCESS)

NOT TOOLED YET	NOT TOOLED YET			TE CONNECTIVITY ORDER-NO.		
1-2350304-2	2350304-2	1-2350304-1	2350304-1	6x60	12x12	2
				-	-	1
QUANTITY				DESCRIPTION		POS.
				MINI IO CONNECTOR Cat5e Fi. 2x2 Pos., AWG 24/26, 180 DEG.; CABLE DIA. 5.7; WITH INSTRUCTION SHEET; TYPE II U-SHAPE / TIA 568A		2
				MINI IO CONNECTOR Cat5e Fi. 2x2 Pos., AWG 24/26, 180 DEG.; CABLE DIA. 5.7; WITH INSTRUCTION SHEET; TYPE I D-SHAPE / TIA 568A		1
				SURFACE COLOUR	MATERIAL	

TOLERANCING ISO 8015
GEOMETRIC TOLERANCING ISO 1101
SIZE ISO 14405
GENERAL TOLERANCES ISO 2768-K

THIS DRAWING IS A CONTROLLED DOCUMENT. DIMENSIONING AND TOLERANCING PER GPS (ISO STANDARDS)		DWN E. REISS 1FEB2020	TE Connectivity	
TOLERANCES UNLESS OTHERWISE SPECIFIED: ALLE DIMENSIONEN		CHK M. SZELAG 1FEB2020	APVD J. DE BRUIJN 1FEB2020	
DIMENSIONS: DIMENSIONEN: mm		NAME MINI IO CONNECTOR Cat5e Fi. 2x2 POS., AWG 24/26, 180 DEG. CABLE DIA. 5.7		
0 PLC ±0.3 1 PLC ±0.3 2 PLC ±0.3 3 PLC ±0.3 4 PLC ±0.3		PRODUCT SPEC 108-94740 APPLICATION SPEC 114-94602		
MATERIAL		SIZE CAGE CODE DRAWING NO. 00779 2350304		
		RESTRICTED TO NEW PUR -		
		CUSTOMER DRAWING /KUNDENZEICHNUNG SCALE MASSSTAB 1 OF 1 REV A1		