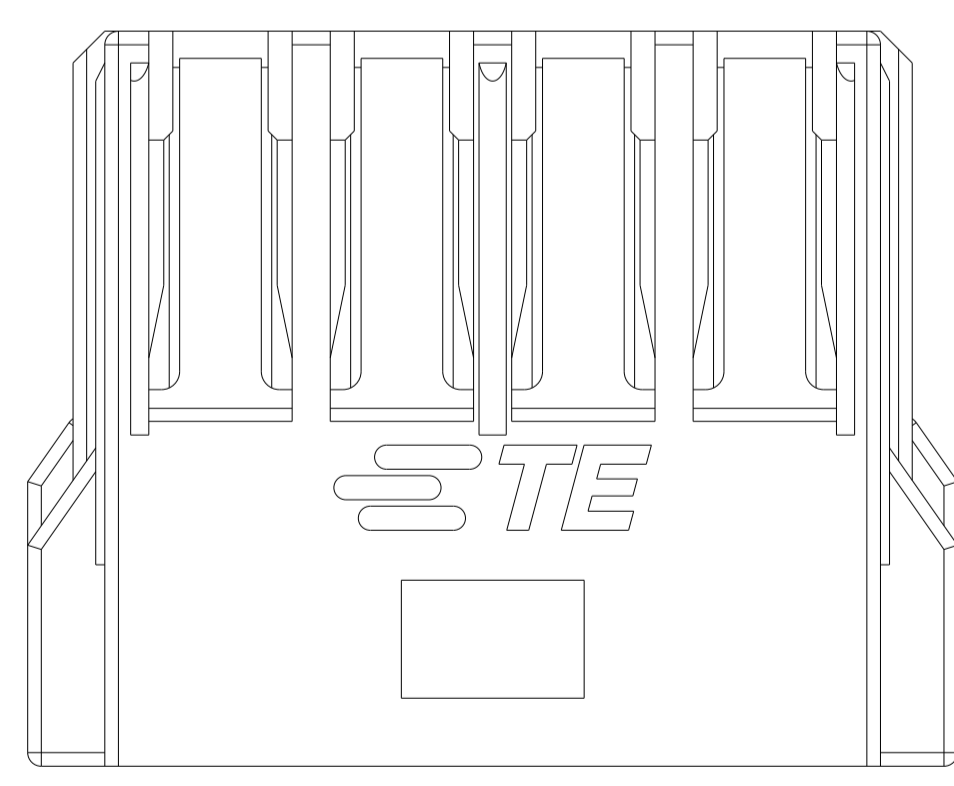
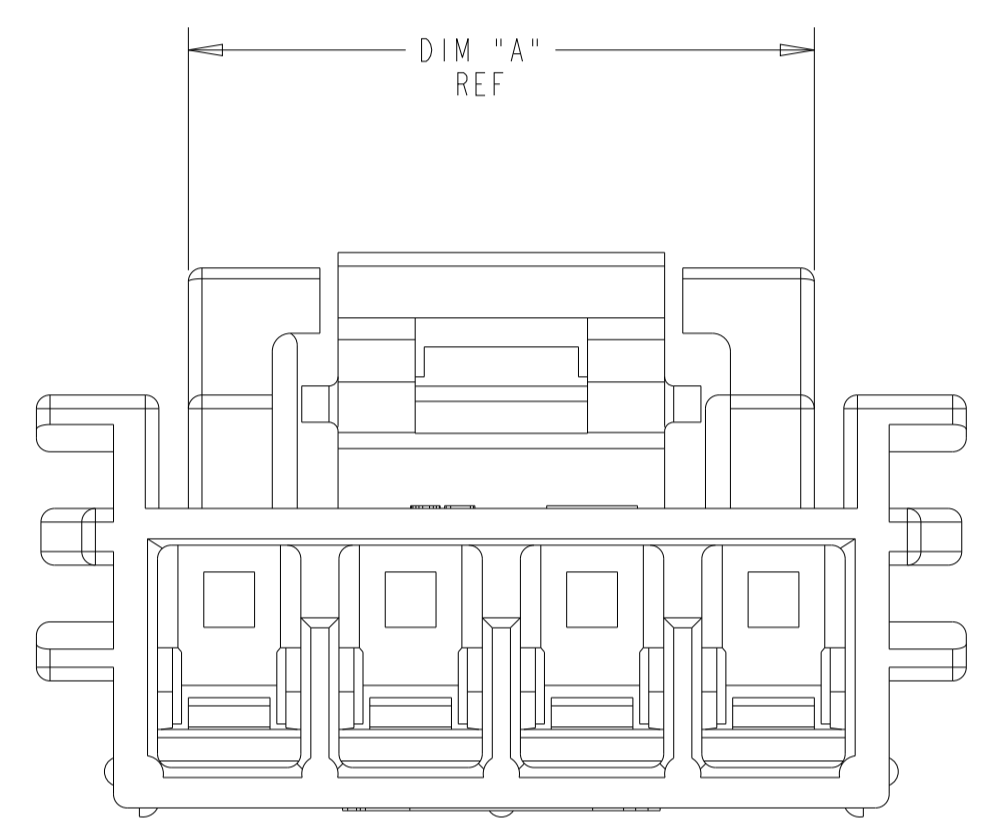
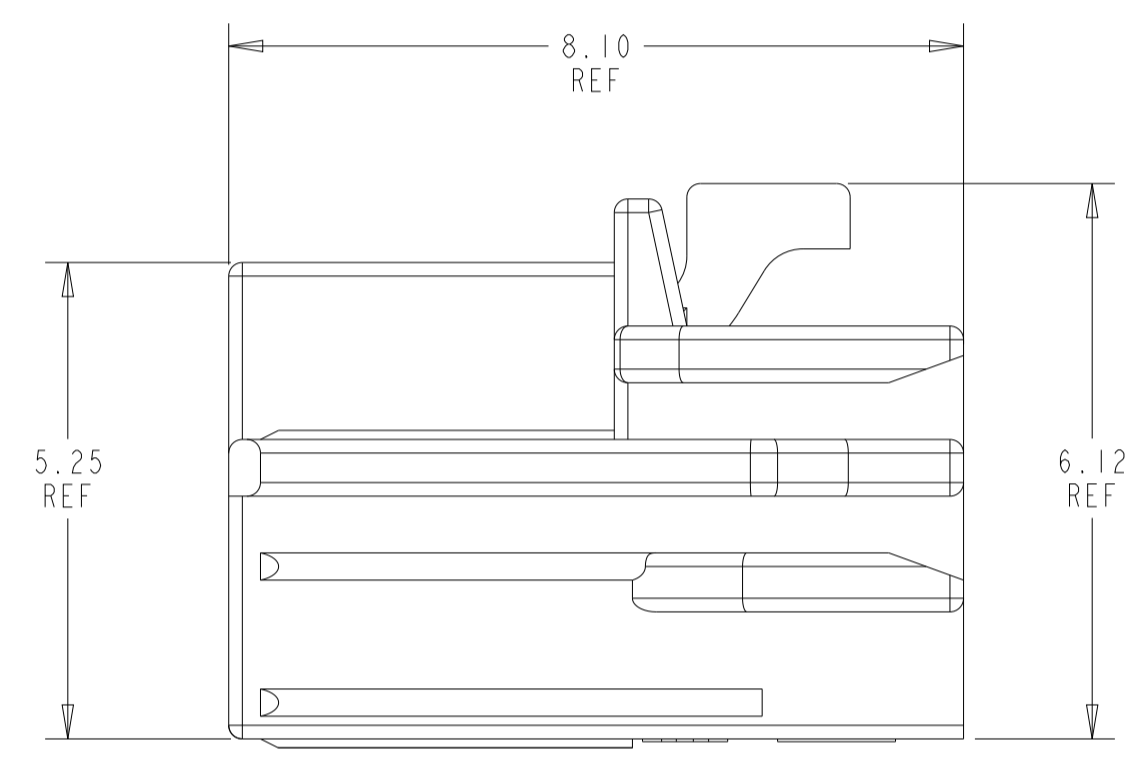
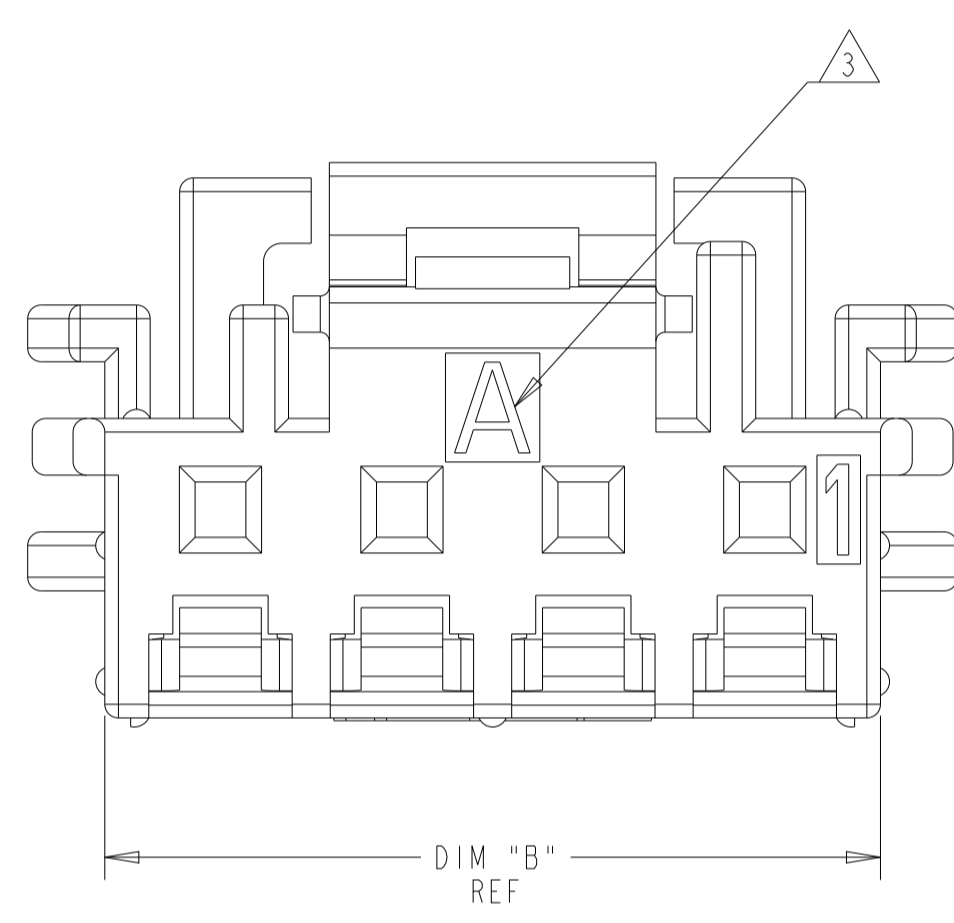
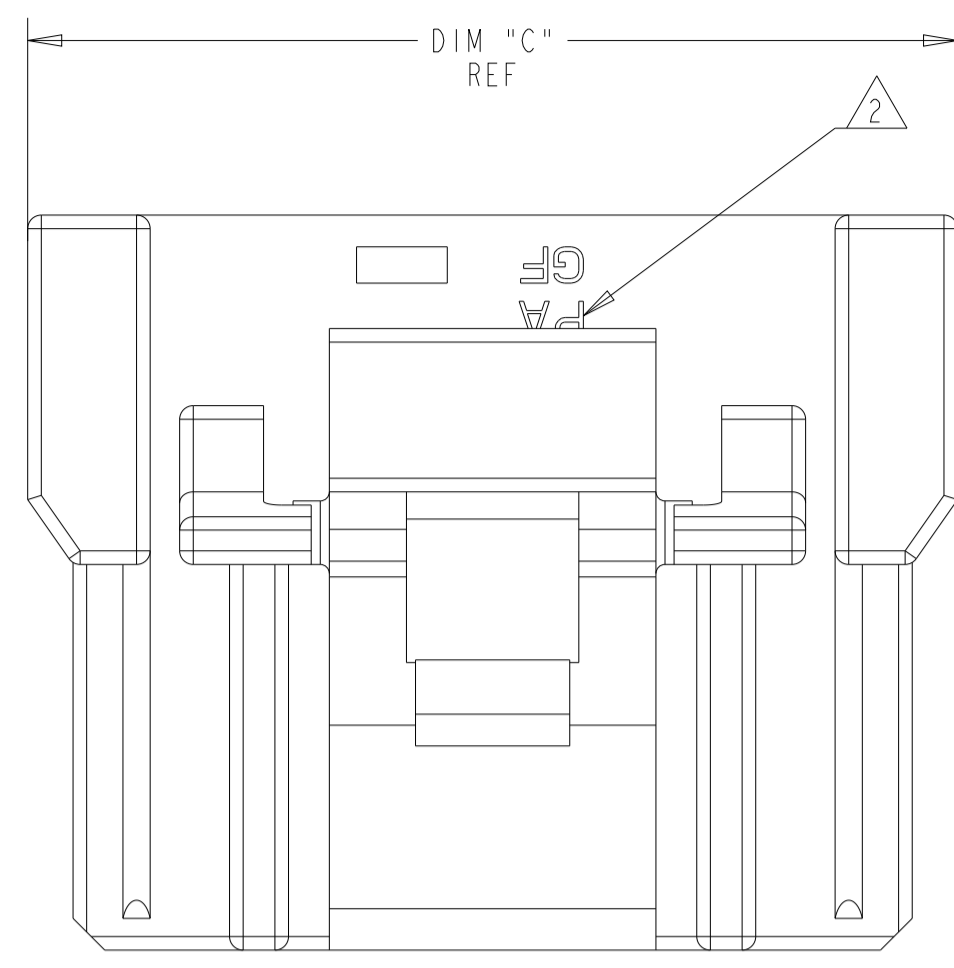


REVISIONS					
P	LTN	DESCRIPTION	DATE	DWN	APVD
A		RELEASED PER ECO-20-008335	15JUN2020	BKW	SW
B		RELEASED PER ECN-22-190035	14DEC2022	CX	DZ
C		REVISED PER ECR-23-169880	21MAR2023	MV	DZ

- ⚠ MATERIAL: PA, GLASS FILLED, COLOR: SEE TABLE
- ⚠ MATERIAL MARK: PA GF
- ⚠ KEYING ID MARK
- 4. COUNTERPART: TERMINAL: 2350223-1, TPA: *-2357686-*, HEADER: PLEASE SEE TABLE

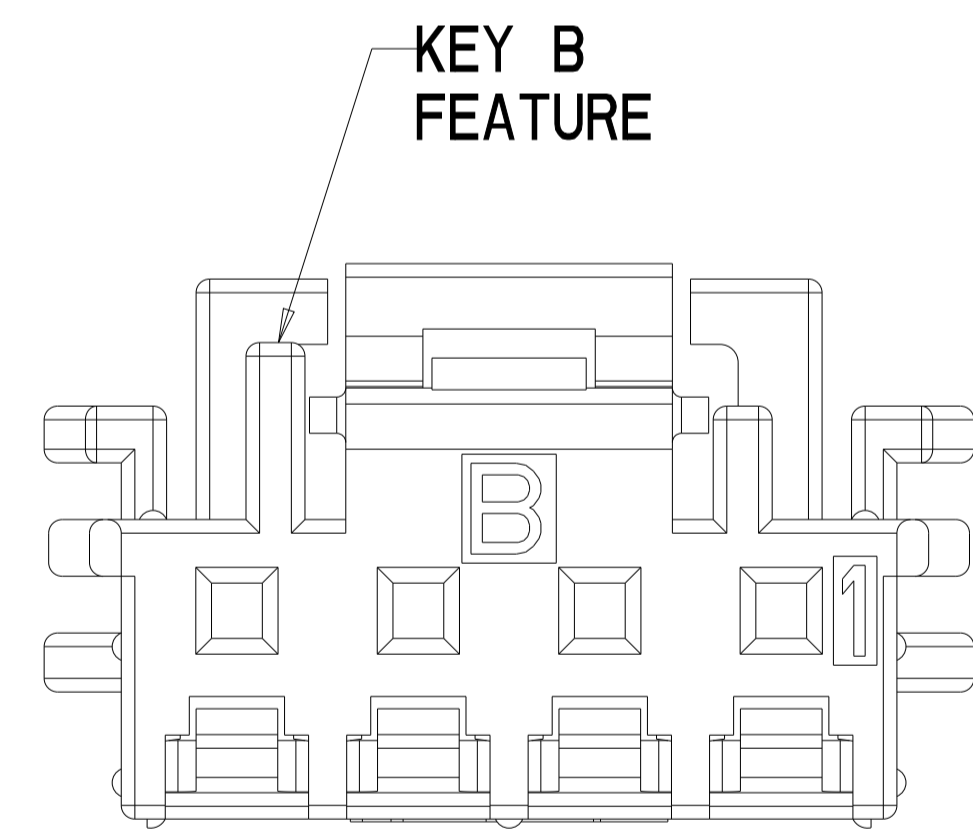
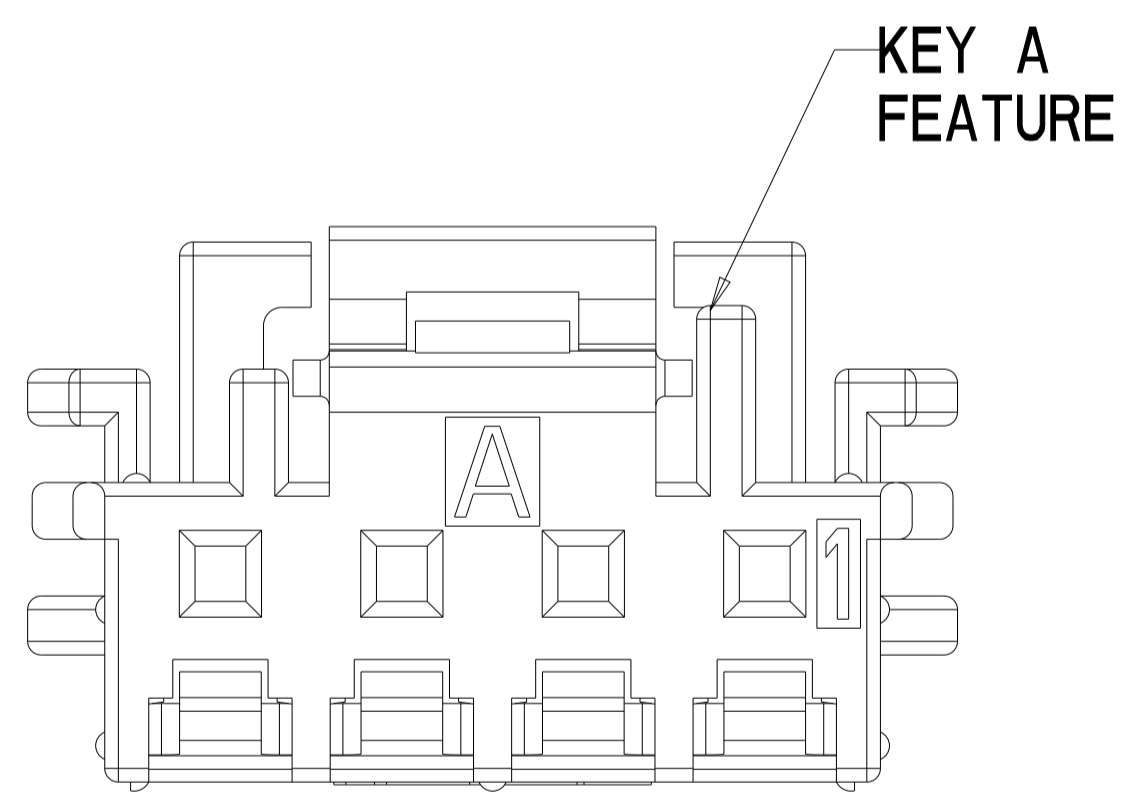
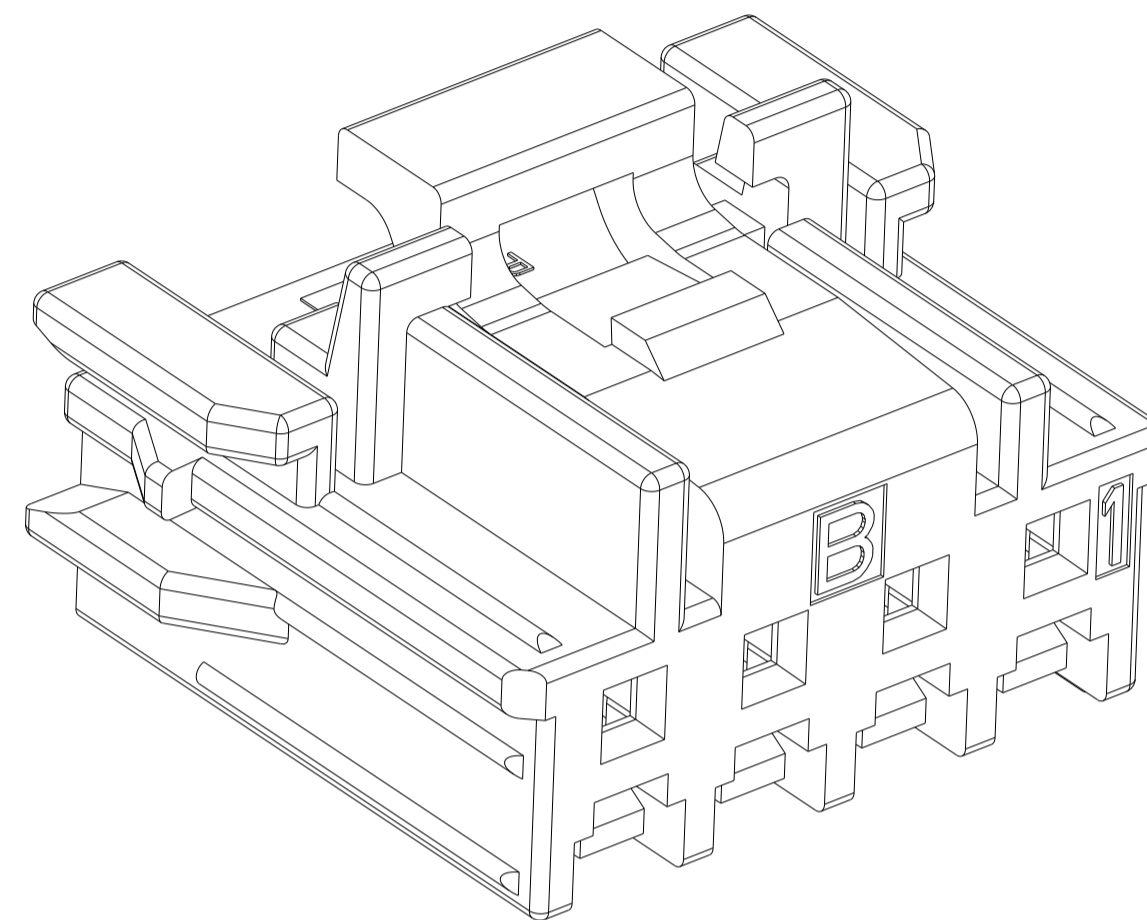
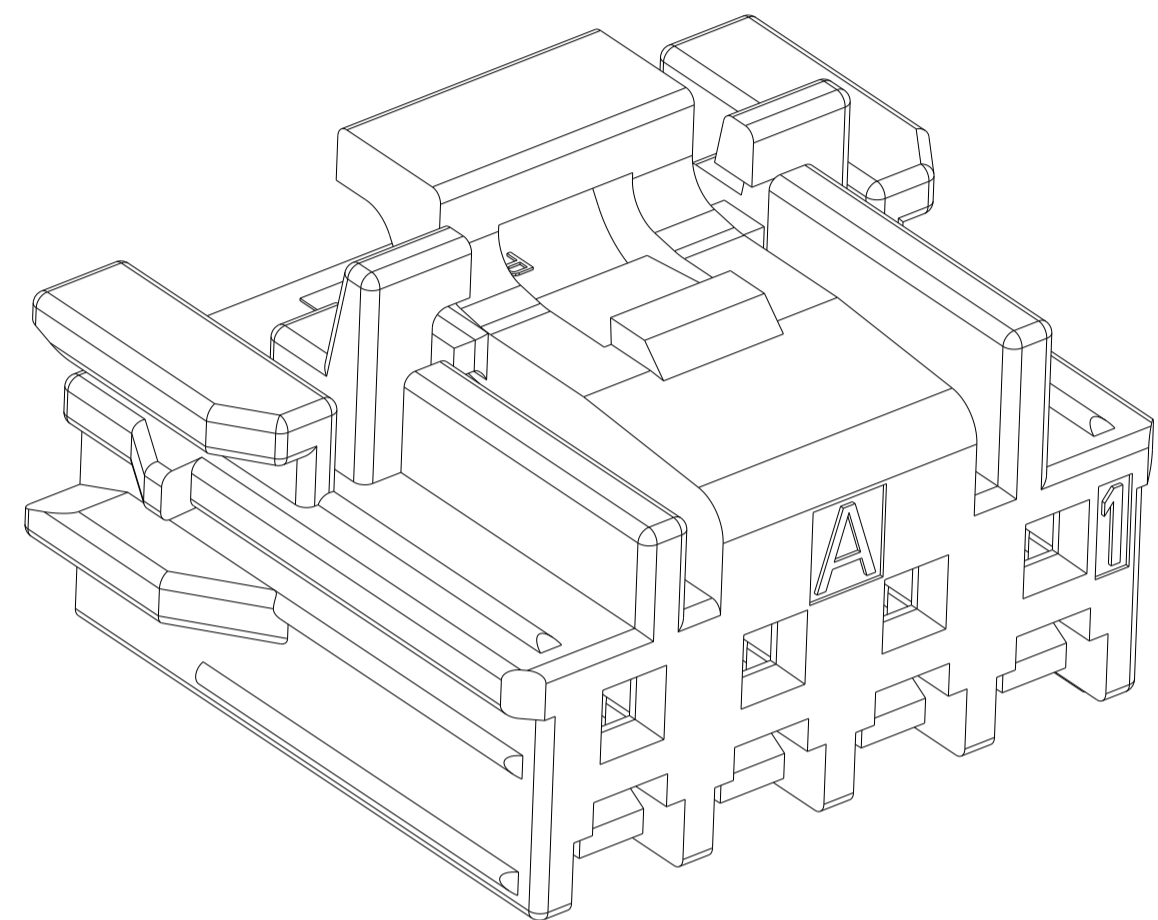


5-2336678-0	5-2232829-0	5-2232826-0	22.25	20.55	6.90	BLACK	KEY B	1*10	3-2350224-0
4-2336678-9	4-2232829-9	4-2232826-9	20.25	18.55	6.90	BLACK	KEY B	1*9	2-2350224-9
4-2336678-8	4-2232829-8	4-2232826-8	18.25	16.55	6.90	BLACK	KEY B	1*8	2-2350224-8
4-2336678-7	4-2232829-7	4-2232826-7	16.25	14.55	6.90	BLACK	KEY B	1*7	2-2350224-7
4-2336678-6	4-2232829-6	4-2232826-6	14.25	12.55	6.90	BLACK	KEY B	1*6	2-2350224-6
4-2336678-5	4-2232829-5	4-2232826-5	12.25	10.55	6.90	BLACK	KEY B	1*5	2-2350224-5
4-2336678-4	4-2232829-4	4-2232826-4	10.25	8.55	6.90	BLACK	KEY B	1*4	2-2350224-4
4-2336678-3	4-2232829-3	4-2232826-3	8.25	6.55	7.30	BLACK	KEY B	1*3	2-2350224-3
4-2336678-2	4-2232829-2	4-2232826-2	6.25	4.55	5.30	BLACK	KEY B	1*2	2-2350224-2
2-2336678-0	2-2232829-0	2-2232826-0	22.25	20.55	6.90	NATURAL	KEY A	1*10	2-2350224-0
1-2336678-9	1-2232829-9	1-2232826-9	20.25	18.55	6.90	NATURAL	KEY A	1*9	1-2350224-9
1-2336678-8	1-2232829-8	1-2232826-8	18.25	16.55	6.90	NATURAL	KEY A	1*8	1-2350224-8
1-2336678-7	1-2232829-7	1-2232826-7	16.25	14.55	6.90	NATURAL	KEY A	1*7	1-2350224-7
1-2336678-6	1-2232829-6	1-2232826-6	14.25	12.55	6.90	NATURAL	KEY A	1*6	1-2350224-6
1-2336678-5	1-2232829-5	1-2232826-5	12.25	10.55	6.90	NATURAL	KEY A	1*5	1-2350224-5
1-2336678-4	1-2232829-4	1-2232826-4	10.25	8.55	6.90	NATURAL	KEY A	1*4	1-2350224-4
1-2336678-3	1-2232829-3	1-2232826-3	8.25	6.55	7.30	NATURAL	KEY A	1*3	1-2350224-3
1-2336678-2	1-2232829-2	1-2232826-2	6.25	4.55	5.30	NATURAL	KEY A	1*2	1-2350224-2
RIGHT ANGLE SMT	VERTICAL SMT	VERTICAL TH	DIM "C"	DIM "B"	DIM "A"	COLOR	KEYING	POSITIONS	PART NUMBER
COUNTER PART									

THIS DRAWING IS A CONTROLLED DOCUMENT.

DIMENSIONS:	TOLERANCES UNLESS OTHERWISE SPECIFIED:	DWN B. WEAVER 21JUN2019	TE Connectivity NAME PLUG HOUSING, SGI 2.0
mm	0 PLC ± 1 PLC ± 2 PLC ± 3 PLC ± 4 PLC ± ANGLES ± FINISH	CHK C. YI 21JUN2019	
MATERIAL		APVD T. BENCHOFF 21JUN2019	SIZE CAGE CODE DRAWING NO RESTRICTED TO
		PRODUCT SPEC 108-143160	A 00779 C=2350224
		APPLICATION SPEC 114-143160	SCALE 12:1 SHEET 1 OF 3 REV C
		WEIGHT	CUSTOMER DRAWING

REVISIONS				
P	LTN	DESCRIPTION	DATE	APVD
-		SEE SHEET 1	-	-

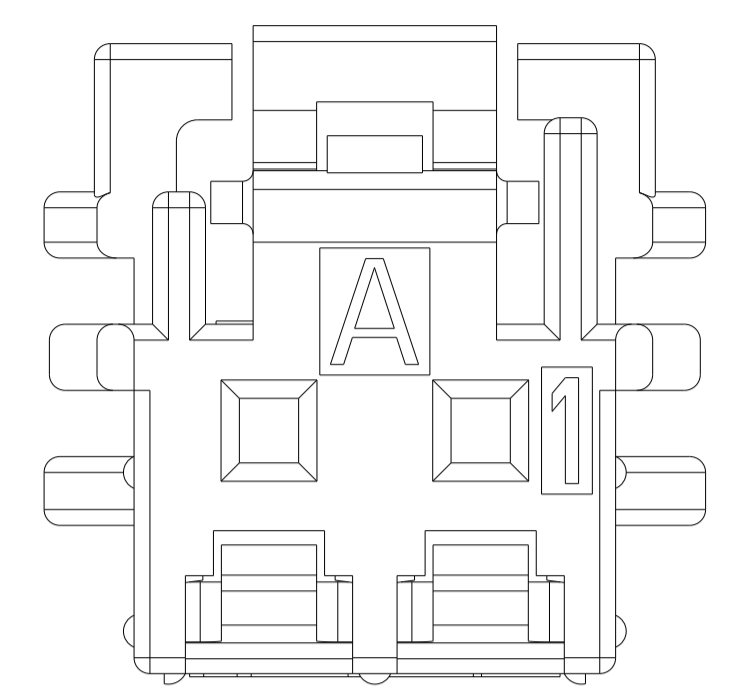


THIS DRAWING IS A CONTROLLED DOCUMENT.		DWN B. WEAVER 21JUN2019 CHK C. YI 21JUN2019 APVD T. BENCHOFF 21JUN2019		
DIMENSIONS: mm 		TOLERANCES UNLESS OTHERWISE SPECIFIED: 0 PLC ± 1 PLC ± 2 PLC ± 3 PLC ± 4 PLC ± ANGLES ± FINISH ±		NAME PLUG HOUSING, SGI 2.0 PRODUCT SPEC - APPLICATION SPEC 108-143160 SIZE CAGE CODE DRAWING NO RESTRICTED TO A 00779 C=2350224 -
MATERIAL		WEIGHT	CUSTOMER DRAWING	SCALE 12:1 SHEET 2 OF 3 REV C

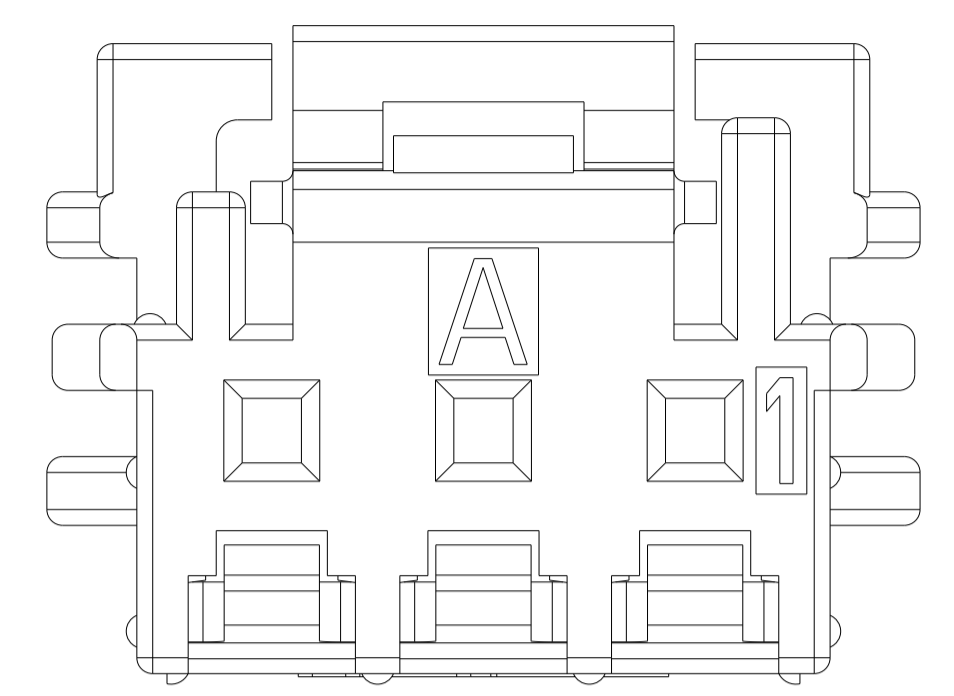
REVISIONS				
P	LTN	DESCRIPTION	DATE	APVD
-		SEE SHEET 1	-	-

KEYING A SHOWN

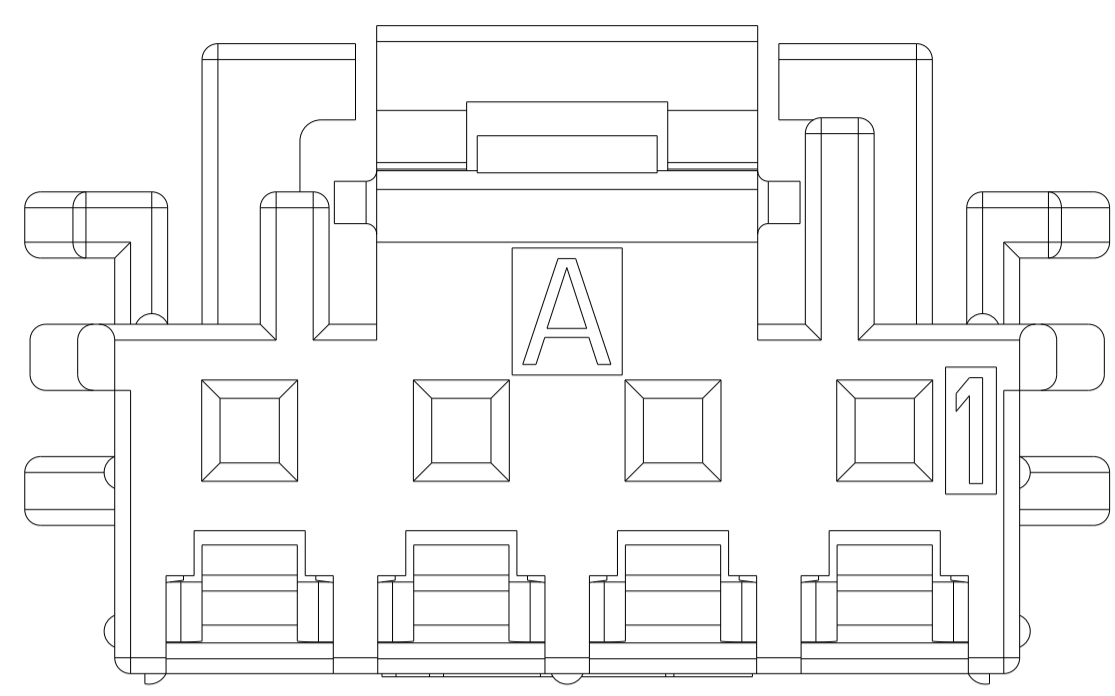
2 POSITION



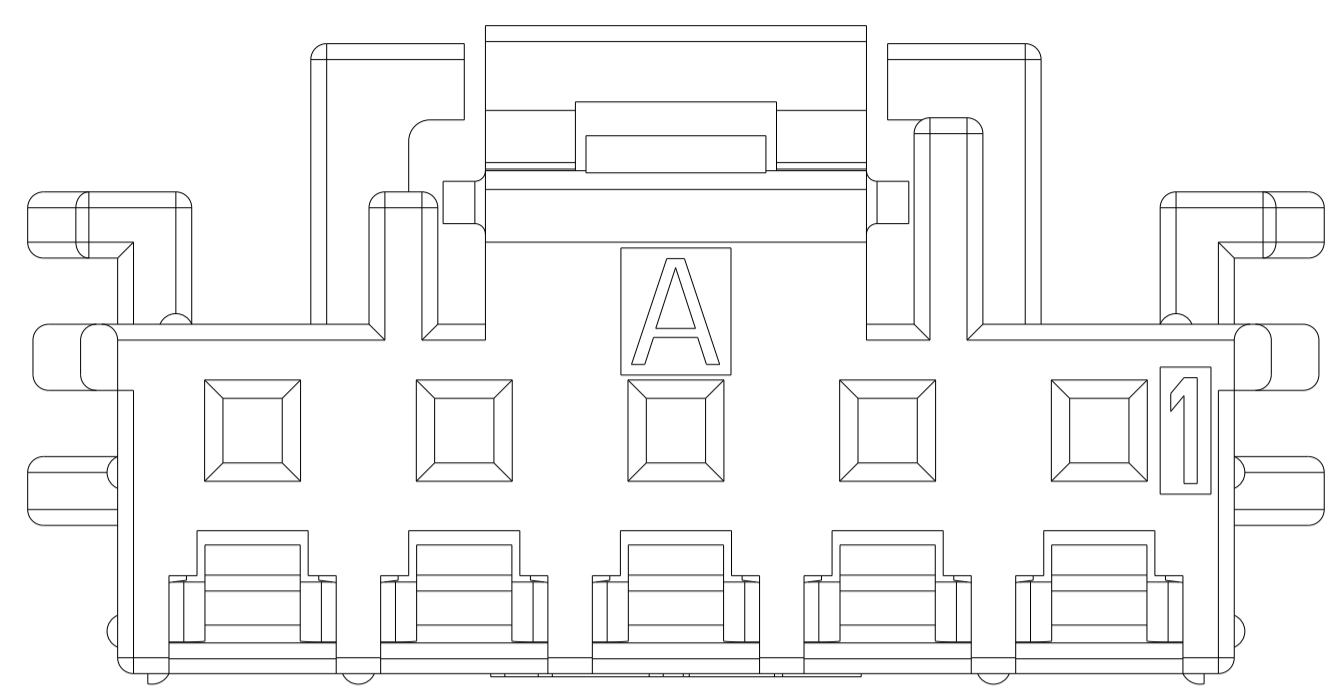
3 POSITION



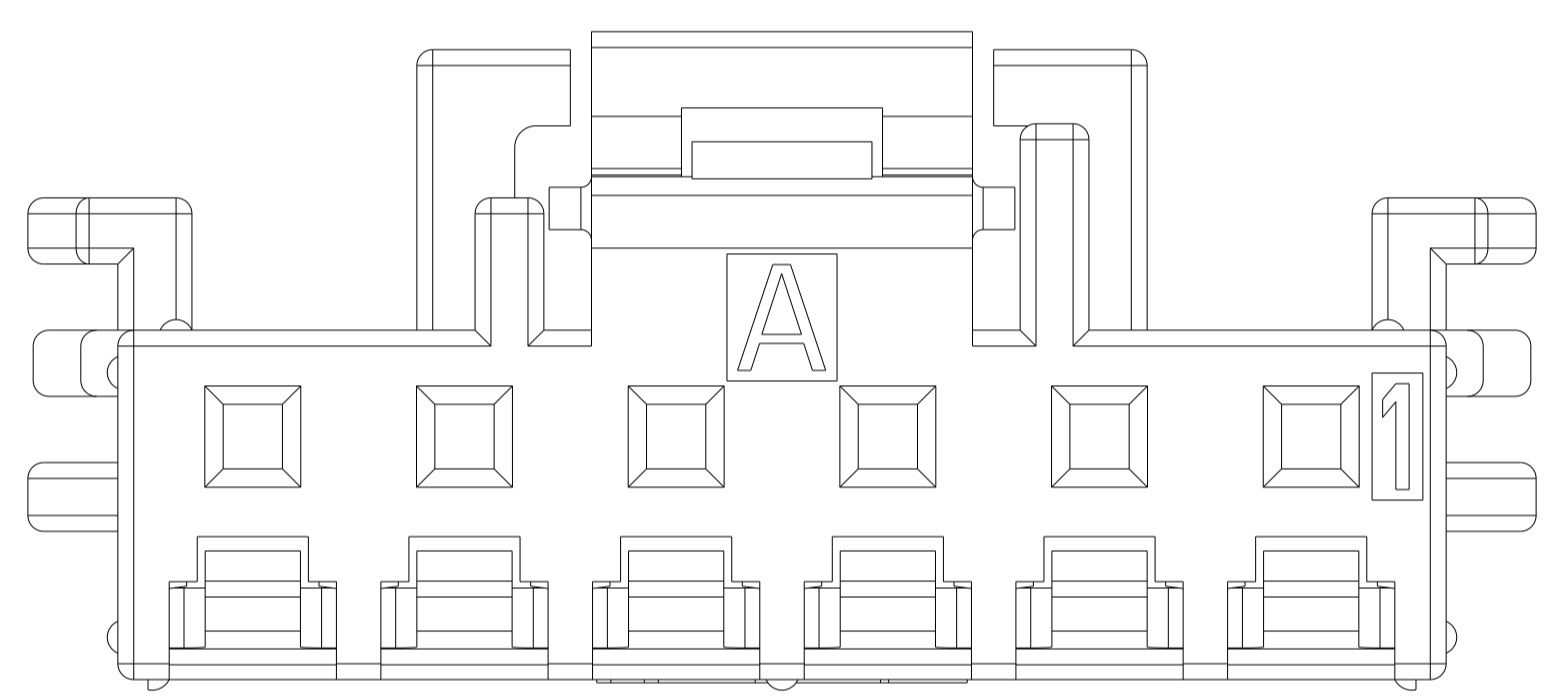
4 POSITION



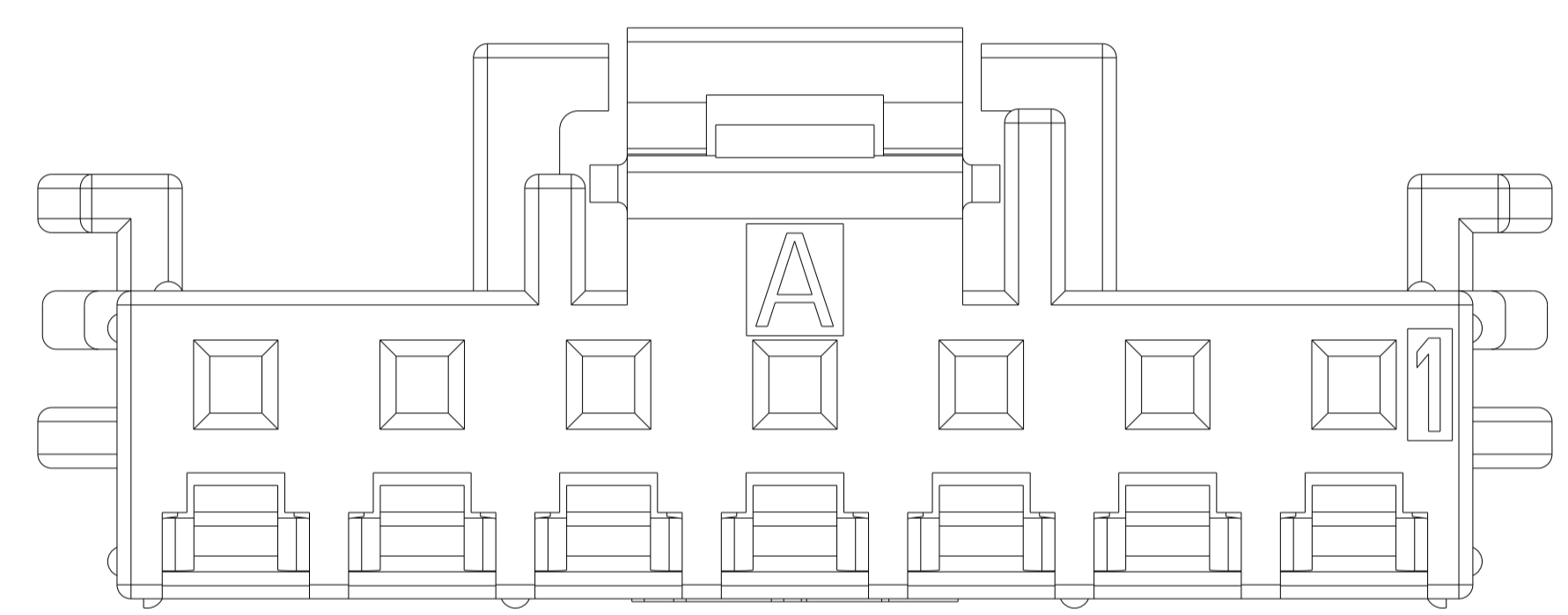
5 POSITION



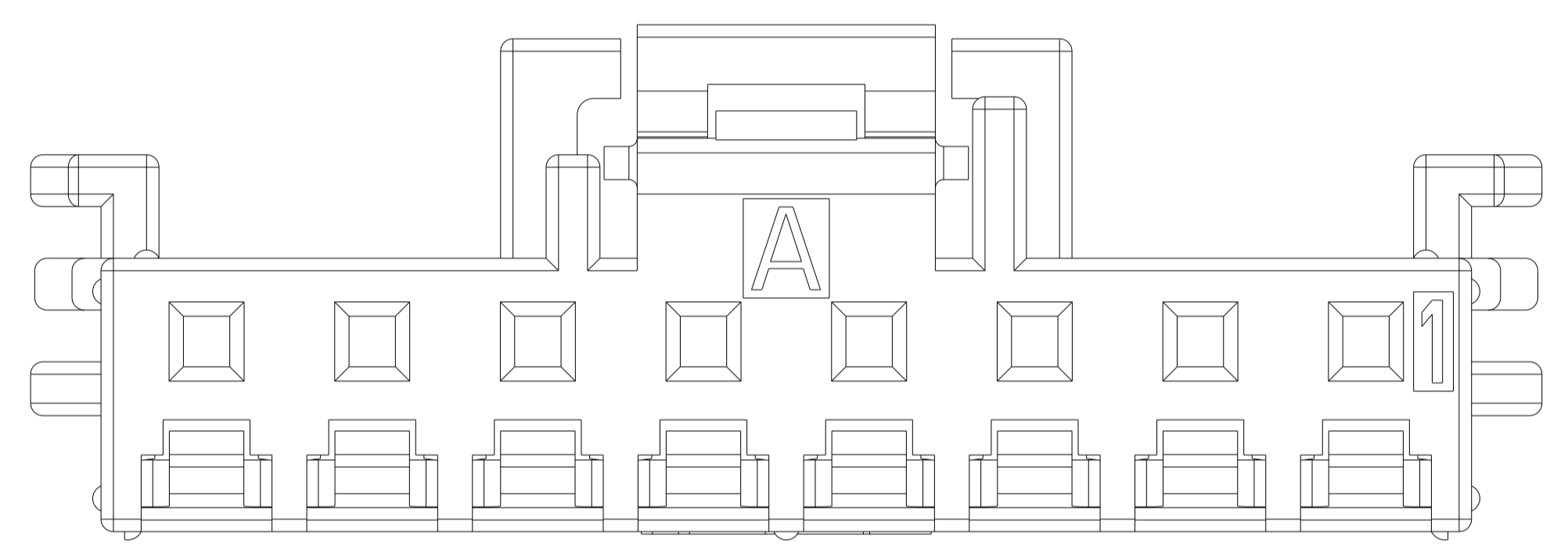
6 POSITION



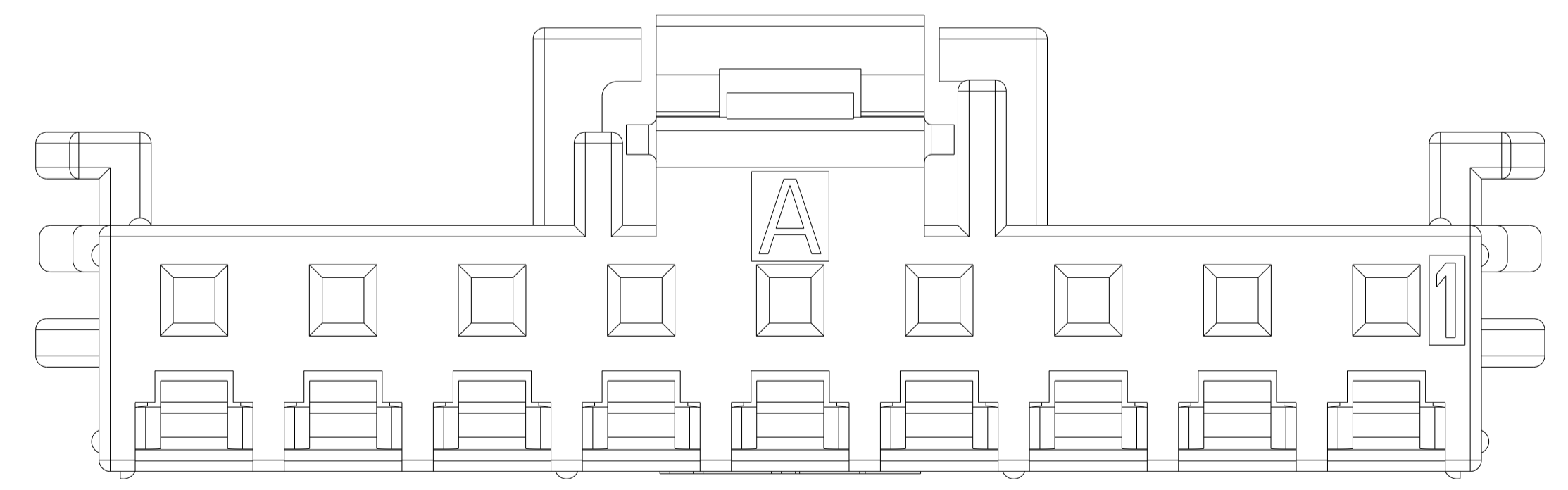
7 POSITION



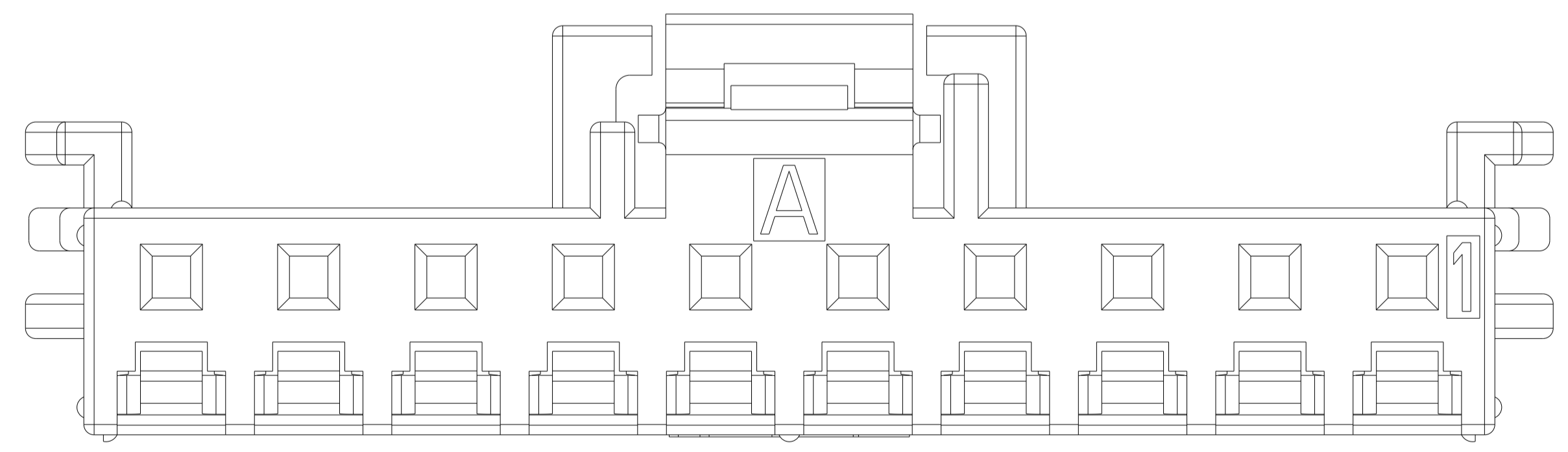
8 POSITION



9 POSITION



10 POSITION



THIS DRAWING IS A CONTROLLED DOCUMENT.		OWN: B. WEAVER 21JUN2019		NAME: PLUG HOUSING, SGI 2.0	
DIMENSIONS: mm		CHK: C. YI 21JUN2019		PRODUCT SPEC: 108-143160	
TOLERANCES UNLESS OTHERWISE SPECIFIED:		APVD: T. BENCHOFF 21JUN2019	APPLICATION SPEC: 114-143160		RESTRICTED TO:
0 PLC ±		SIZE: A		CAGE CODE: 00779	DRAWING NO: 2350224
1 PLC ±		WEIGHT: -		SCALE: 12:1	
2 PLC ±		MATERIAL: -		SHEET 3 OF 3	
3 PLC ±		FINISH: -		REV C	
4 PLC ±		CUSTOMER DRAWING			
ANGLES ±					
FINISH ±					