

REVISIONS

| P | LTR | DESCRIPTION | DATE | DWN | APVD |
|---|-----|------------------|-----------|-----|------|
| | S | PRODUCTION ISSUE | 01FEB2019 | PNT | MT |

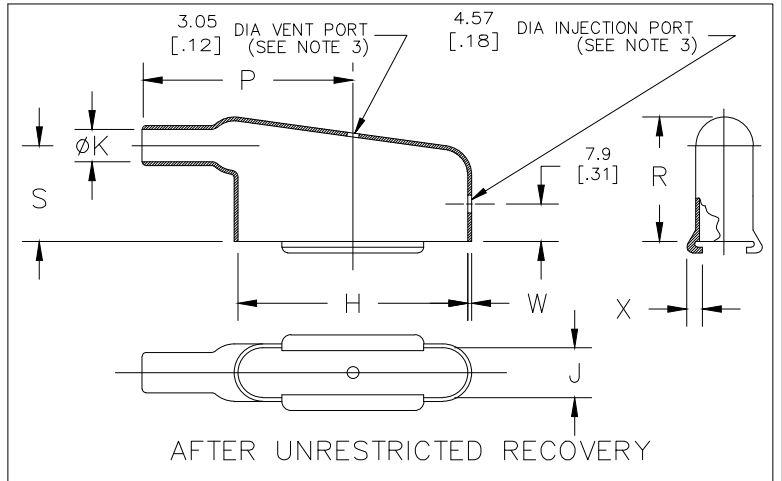
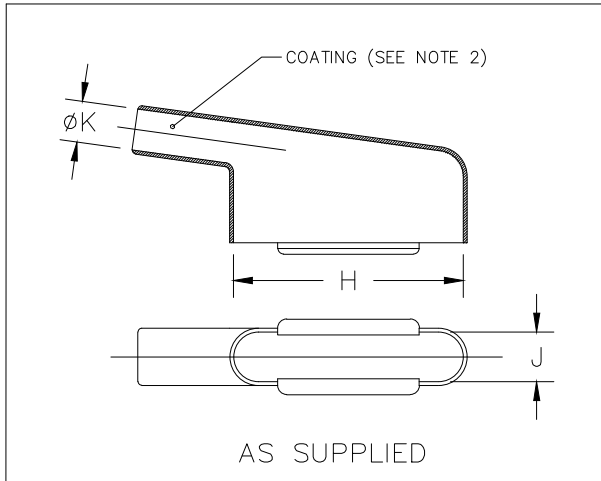


TABLE OF DIMENSIONS

| PART NUMBER | H | | J | | K | | P | R | S | W | X | Weight Nom lb/[gms] b | This Boot Fits Cannon-Cinch |
|-------------|-------------|-------------|-------------|-------------|-------------|-------------|-------------|-------------|-------------|-------------|-------------|-----------------------|-----------------------------|
| | ±5% a | ±5% b | ±5% a | ±5% b | Min a | Max b | | | | | | | |
| **234A011 | 20.3 [0.80] | 20.3 [0.80] | 10.7 [0.42] | 10.7 [0.42] | 7.9 [0.31] | 4.1 [0.16] | 25.9 [1.02] | 21.6 [0.85] | 15.2 [0.60] | 1.02 [0.04] | 3.05 [0.12] | 2.18 [0.048] | DE-9 |
| **234A021 | 28.2 [1.11] | 28.2 [1.11] | 10.7 [0.42] | 10.7 [0.42] | 10.2 [0.40] | 5.3 [0.21] | 30.7 [1.21] | 24.6 [0.97] | 18.5 [0.73] | 1.02 [0.04] | 3.05 [0.12] | 2.68 [0.059] | DA-15 |
| **234A032 | 42.2 [1.66] | 42.2 [1.66] | 10.7 [0.42] | 10.7 [0.42] | 14.0 [0.55] | 7.4 [0.29] | 42.9 [1.69] | 27.9 [1.10] | 22.1 [0.87] | 1.02 [0.04] | 3.05 [0.12] | 4.63 [0.102] | DB-25 |
| 234A042 | 58.7 [2.31] | 58.7 [2.31] | 10.7 [0.42] | 10.7 [0.42] | 17.3 [0.68] | 8.6 [0.34] | 53.3 [2.10] | 30.5 [1.20] | 25.4 [1.00] | 1.02 [0.04] | 3.05 [0.12] | 5.99 [0.132] | DC-37 |
| 234A052 | 57.9 [2.28] | 57.9 [2.28] | 13.7 [0.54] | 13.7 [0.54] | 19.1 [0.75] | 10.7 [0.42] | 55.9 [2.20] | 32.3 [1.27] | 25.4 [1.00] | 1.02 [0.04] | 3.05 [0.12] | 6.90 [0.152] | DD-50 |
| 234A061 | 20.3 [0.80] | 20.3 [0.80] | 10.7 [0.42] | 10.7 [0.42] | 7.9 [0.31] | 3.8 [0.15] | 25.9 [1.02] | 18.5 [0.73] | 12.2 [0.48] | 1.02 [0.04] | 3.05 [0.12] | 2.04 [0.045] | DE-9 |
| 234A071 | 28.2 [1.11] | 28.2 [1.11] | 10.7 [0.42] | 10.7 [0.42] | 10.2 [0.40] | 5.1 [0.20] | 30.7 [1.21] | 19.8 [0.78] | 13.5 [0.53] | 1.02 [0.04] | 3.05 [0.12] | 2.54 [0.056] | DA-15 |

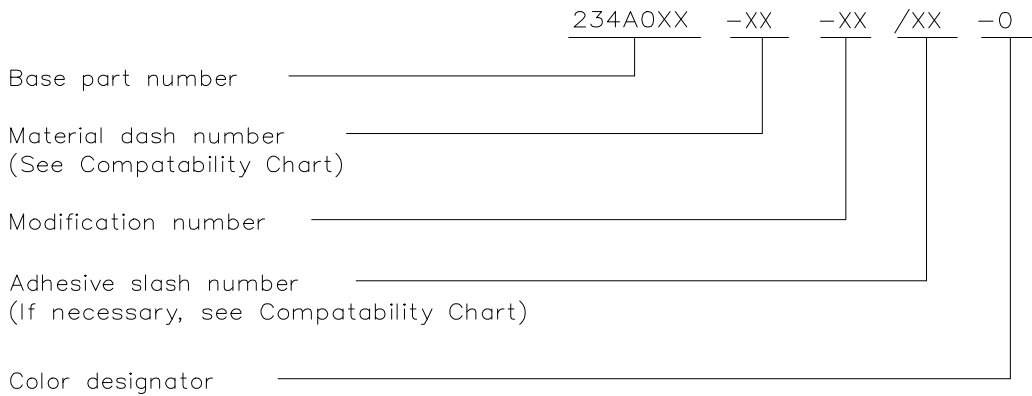
THIS DRAWING IS UNPUBLISHED. ALL RIGHTS RESERVED. TE Connectivity Ltd. © COPYRIGHT

| | | | | | | |
|--|--------------|-----------|----------------------|--|----------------------------|---------------|
| DIMENSIONS: mm [INCHES] | DWN | 01FEB2019 | MATERIAL | SEE SHEET 2 | FINISH | - |
| | CHK | 01FEB2019 | TE Connectivity Ltd. | | | |
| TOLERANCES UNLESS OTHERWISE SPECIFIED: | APVD | 01FEB2019 | | | | |
| | PRODUCT SPEC | - | NAME | BOOT, RECTANGULAR SUBMINIATURE, 90 DEGREES END ENTRY | | |
| 0 PLC ± - | 1 PLC ± - | 2 PLC ± - | 3 PLC ± - | 4 PLC ± - | ANGLES ± - | RESTRICTED TO |
| WEIGHT | | | A4 | 00779 | C-234A011-XX-0THRU071-XX-0 | - |
| CUSTOMER DRAWING | | | | SCALE | DNS | SHEET 1 OF 2 |
| | | | | REV | S | |

| REVISIONS | | | | | |
|-----------|-----|-------------|------|-----|------|
| P | LTR | DESCRIPTION | DATE | DWN | APVD |
| | - | SEE SHEET 1 | - | - | - |

| COMPATIBILITY CHART | | | | |
|---------------------|--------------------------------------|---------|-------------------|-------------------|
| MATERIAL DASH NO. | MATERIAL DESCRIPTION | RT SPEC | COATING SLASH NO. | COATING SPEC |
| -3 | POLYOLEFIN, SEMI-RIGID | RT-301 | /42;/86;/180 | S1017;S1048;S1030 |
| -4 | POLYOLEFIN, FLEXIBLE | RT-1304 | /42;/86;/180 | S1017;S1048;S1030 |
| -12 | FLUOROELASTOMER | RT-1312 | N/A | N/A |
| -25 | ELASTOMER, FLUID RESISTANT | RW-2070 | /42;/86;/225 | S1017;S1048;S1206 |
| -100 | POLYOLEFIN, SEMI-FLEXIBLE ZEROHAL | RW-2082 | /86;/180 | S1048;S1030 |

ORDERING INFORMATION


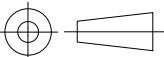


NOTES

- Dimensions appearing in table are as follows:
 - a - As Supplied
 - b - After Unrestricted Recovery
- Coating is optional. As supplied dimensions appearing in table are for uncoated parts. When coating is added, entry diameters will be reduced by 1.5[.06] max.
- Molding ports are optional. When -00 modification number is specified molding ports will be located as shown.
- Weight shown in table of dimensions is based on polyolefin part.
- *5. /180 coating is only available on 234A011, 234A021 and 234A032. Contact factory for additional sizes.

THIS DRAWING IS UNPUBLISHED. ALL RIGHTS RESERVED.

© COPYRIGHT - TE Connectivity Ltd.

| | | | | |
|---|--------------------|-----------|---|--------------------|
| DIMENSIONS: mm [INCHES] | DWN PRAVEEN N T | 01FEB2019 | MATERIAL SEE SHEET 2 | FINISH - |
| | CHK N NAGAR | 01FEB2019 |  TE Connectivity Ltd. | |
| TOLERANCES UNLESS OTHERWISE SPECIFIED: | APVD M TAYLOR | 01FEB2019 | | |
| 0 PLC ± - | PRODUCT SPEC | - | NAME BOOT, RECTANGULAR SUBMINIATURE, 90 DEGREES END ENTRY | |
| 1 PLC ± - | APPLICATION SPEC | - | | |
| 2 PLC ± - | WEIGHT | - | SIZE A4 | CAGE CODE 00779 |
| 3 PLC ± - | | | DRAWING NO G-234A011-XX-0THRU071-XX-0 | RESTRICTED TO - |
| 4 PLC ± - | | | | |
| ANGLES ± - | | | | |
|  | CUSTOMER DRAWING | | SCALE DNS | SHEET 2 OF 2 |
| | | | | REV S |