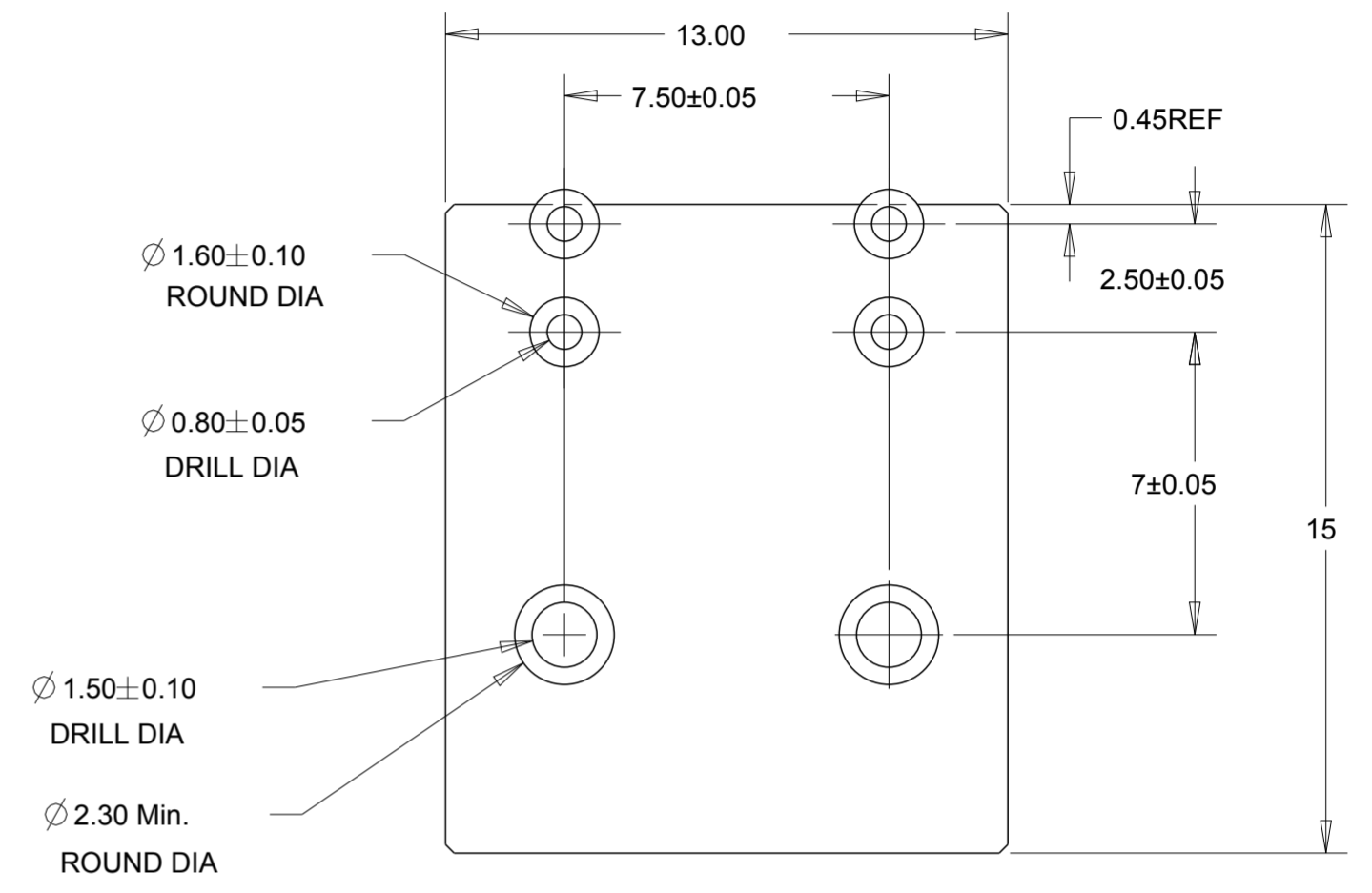
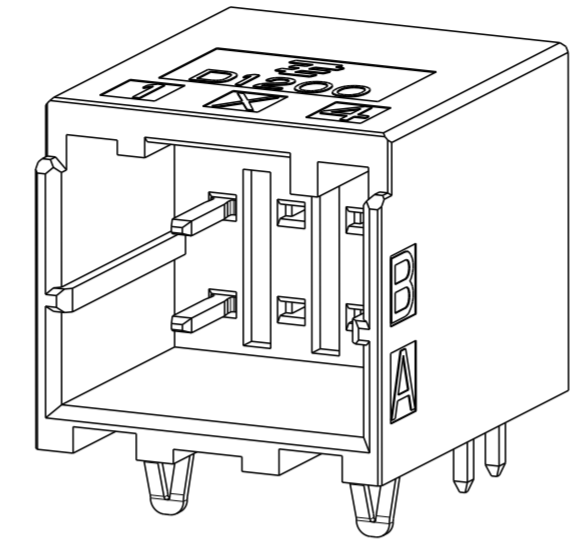
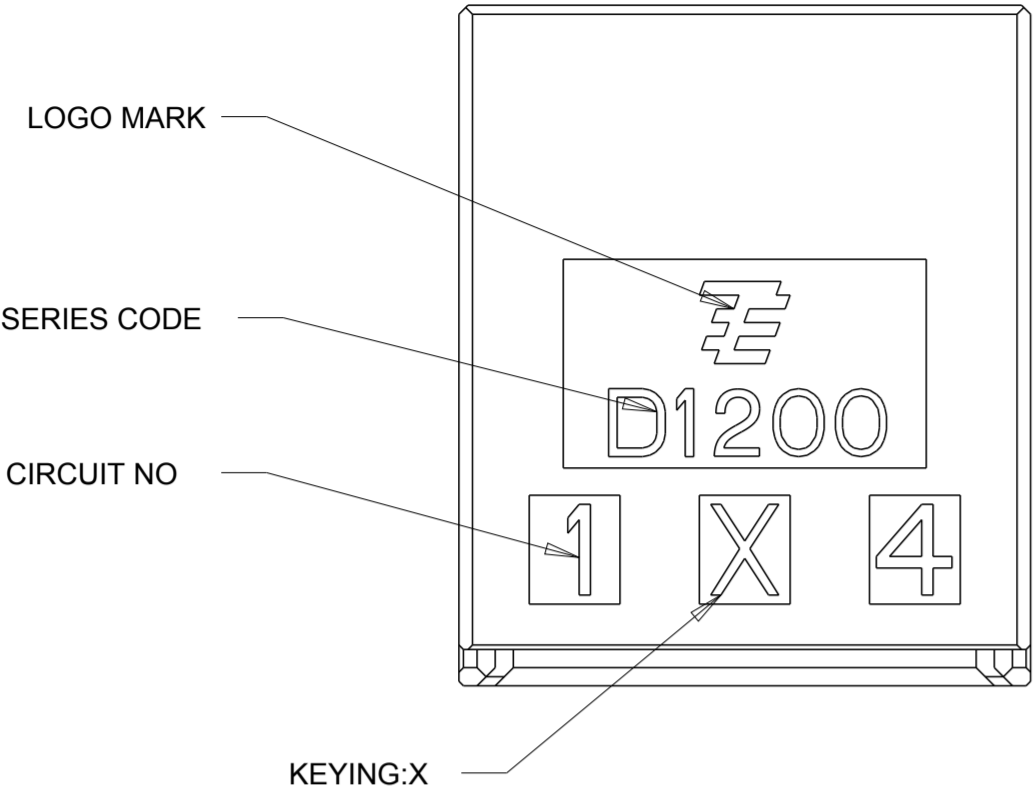


THIS DRAWING IS UNPUBLISHED. RELEASED FOR PUBLICATION
 © COPYRIGHT copyright_date BY - ALL RIGHTS RESERVED.

REVISIONS					
P	LTR	DESCRIPTION	DATE	DWN	APVD
A		INITIAL	15JAN2019	F.Z	R.B



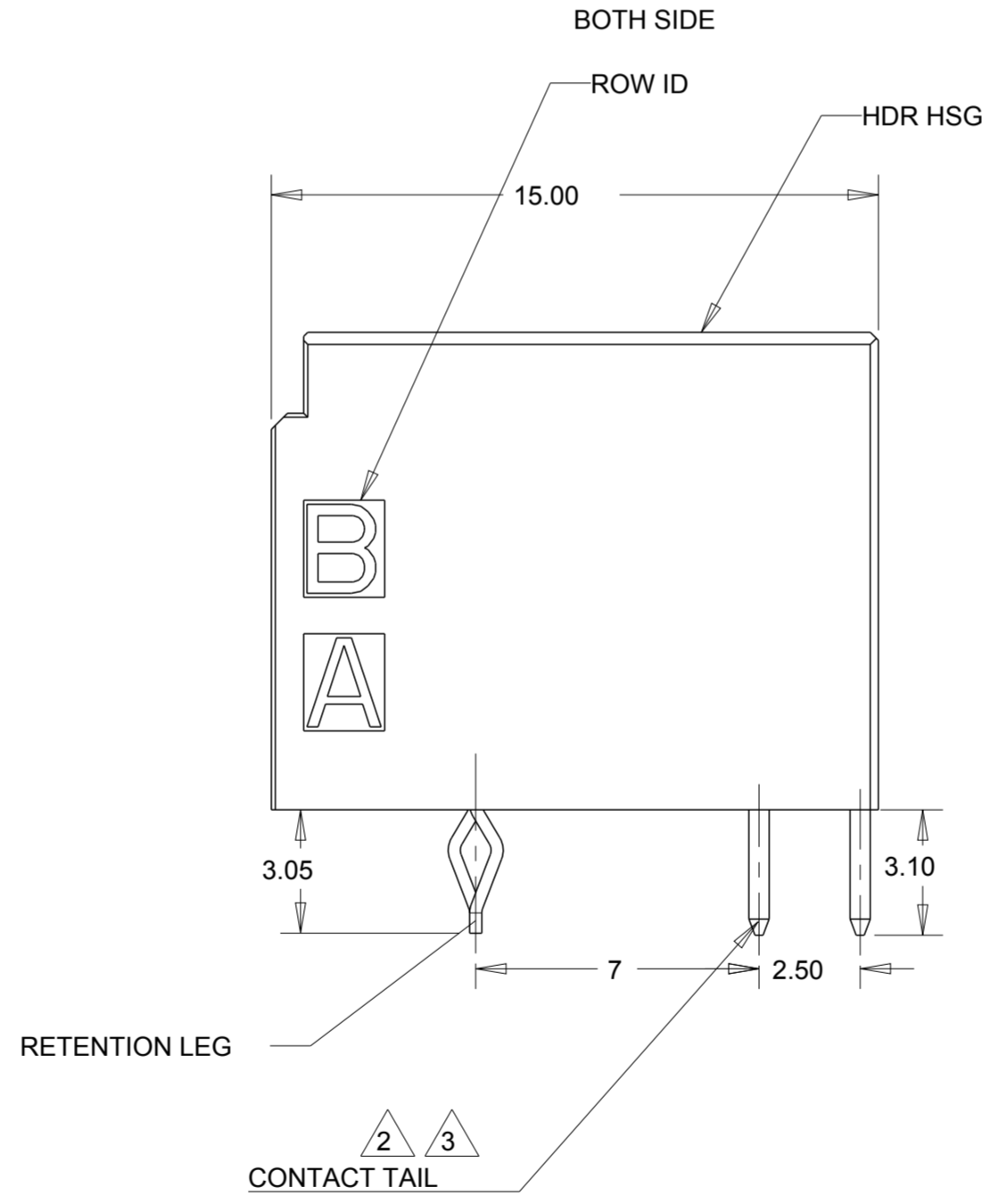
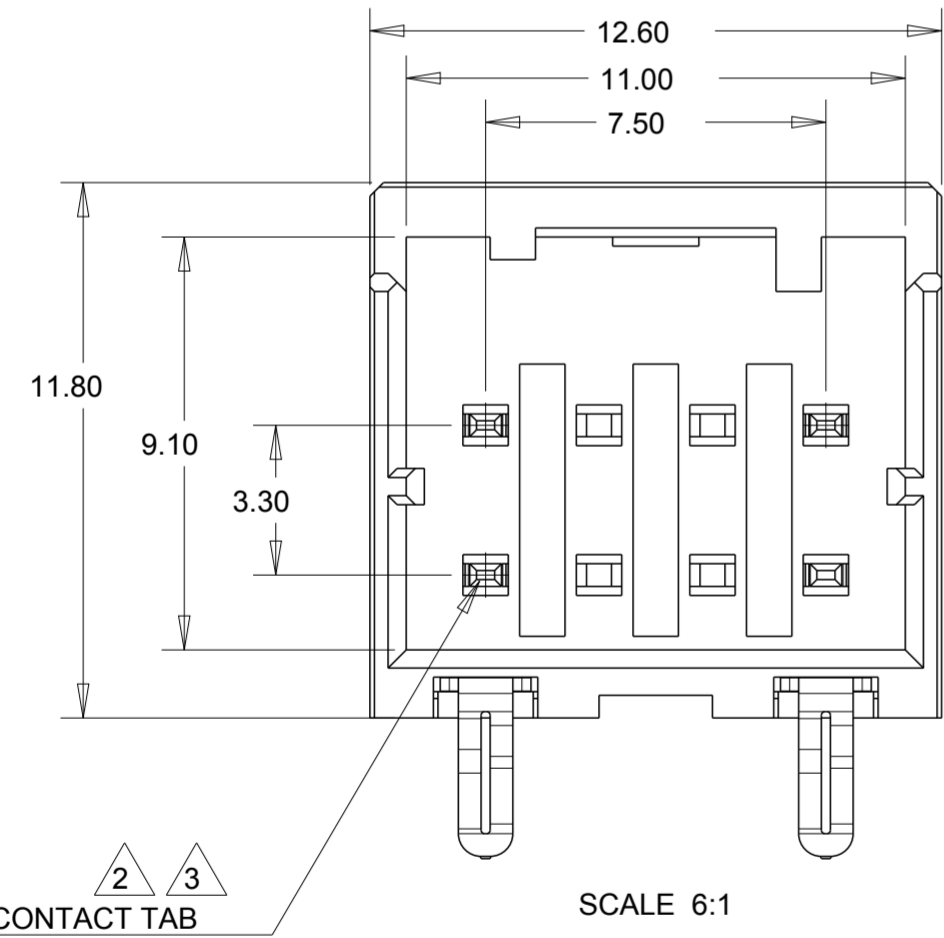
RECOMMEND PC BOARD HOLE PATTERN
 : CONNECTOR MOUNT SIDE (NOT ACCUMULATE TOLERANCE)
 PC BOARD THICKNESS : 1.0~1.6±0.1

1. MATERIAL: HOUSING: GLASS FILED THERMO PLASTIC
 POLYESTER(94V-0), COLOR: BLACK
 CONTACT: COPPER ALLOY
 RETENTION LEG: PRE-TIN COPPER ALLOY

2. FINISH (ALL OVER): NICKEL PL. 1.27 mMIN

3. FINISH (ALL OVER): TIN PL. 1.0 mMIN AFTER

4. THE SHAPE, SIZE AND POSITION OF THE CHARACTER SHOW THE OUTLINE. THEY DON'T SHOW DETAILS.



8	X	1-2349950-4
POS	KEY	PART NO

THIS PRINT IS
PRELIMINARY
 UNQUALIFIED PRODUCT
 CONTACT PRODUCT ENGINEERING
 BEFORE USING THIS PRINT

THIS DRAWING IS A CONTROLLED DOCUMENT.		DWN FISHER.ZHU 24-Jan-19	TE Connectivity NAME DYNAMIC D1200D 2.5mm PITCH HDR ASSY 4POS TIN PLATING CONTACT REMOVAL		
DIMENSIONS:		CHK RICK.BIAN 24-Jan-19			
mm		APVD RICK.BIAN 24-Jan-19			
TOLERANCES UNLESS OTHERWISE SPECIFIED: ±0.3, ±3°		PRODUCT SPEC 108-78298			
Ø-PLG ±		APPLICATION SPEC 114-5377	SIZE A2	CAGE CODE 00779	DRAWING NO C-2349950
1-PLG ±		WEIGHT	RESTRICTED TO		
2-PLC ±		CUSTOMER DRAWING	SCALE 3:1	SHEET 1 OF 1	REV A
3-PLC ±					
4-PLG ±					
ANGLES					
FINISH					