

4

3

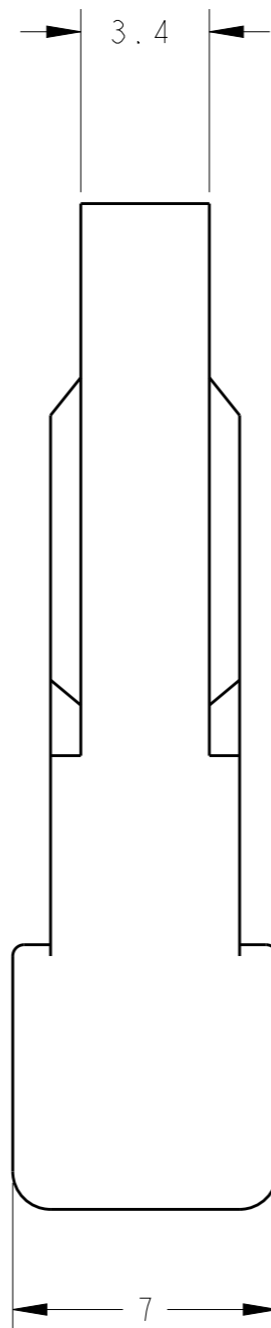
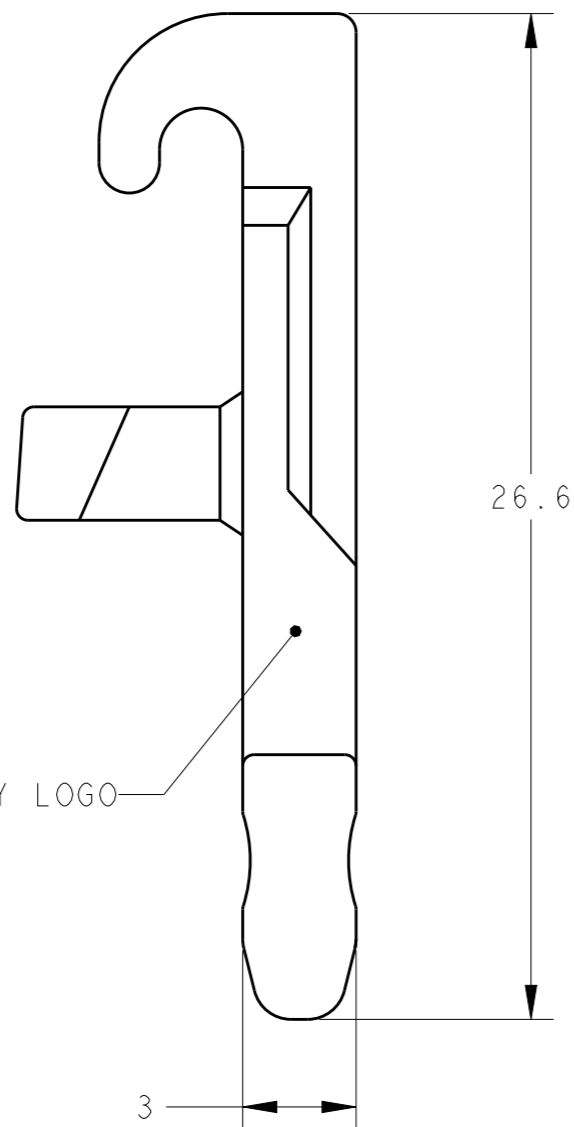
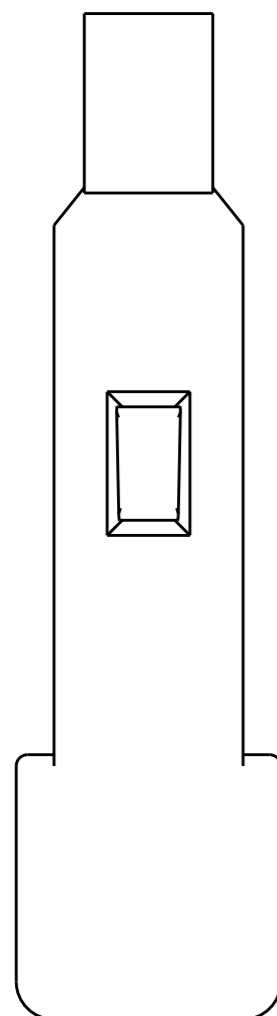
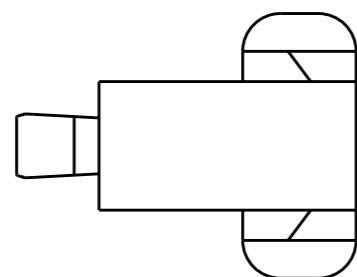
2

1

© 2019 TE Connectivity. All Rights Reserved. TE Connectivity Ltd. company. All Rights Reserved.

REVISIONS

P	LTR	DESCRIPTION	DATE	DWN	APVD
	A	RELEASED	10SEP2019	Y.O	E.I
	B	REVISED	21MAY2020	Y.O	E.I



1. MATERIAL: POLYAMIDE
 2. SEE INSTRUCTION SHEET 408-78173

2349891-1

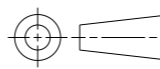
THIS DRAWING IS A CONTROLLED DOCUMENT.

DWN Y. OKADA 09JAN2019
 CHK T. SHIMOYASU 09JAN2019
 APVD F. IKEMATSU 09JAN2019



DIMENSIONS:
mm

TOLERANCES UNLESS OTHERWISE SPECIFIED:
± 0.5, ± 5°



0 PLC ±
 1 PLC ±0.5
 2 PLC ±0.13
 3 PLC ±0.013
 4 PLC ±0.000J
 ANGLES ±5

PRODUCT SPEC 108-140216
 APPLICATION SPEC -

NAME SPRING OPENER
 SPRING CLAMP TYPE
 D4950, DYNAMIC

MATERIAL SEE NOTE
 FINISH -

WEIGHT -
 CUSTOMER DRAWING

SIZE A3 CAGE CODE 00779 DRAWING NO C-2349891 RESTRICTED TO

SCALE 5:1 SHEET 1 OF 1 REV B