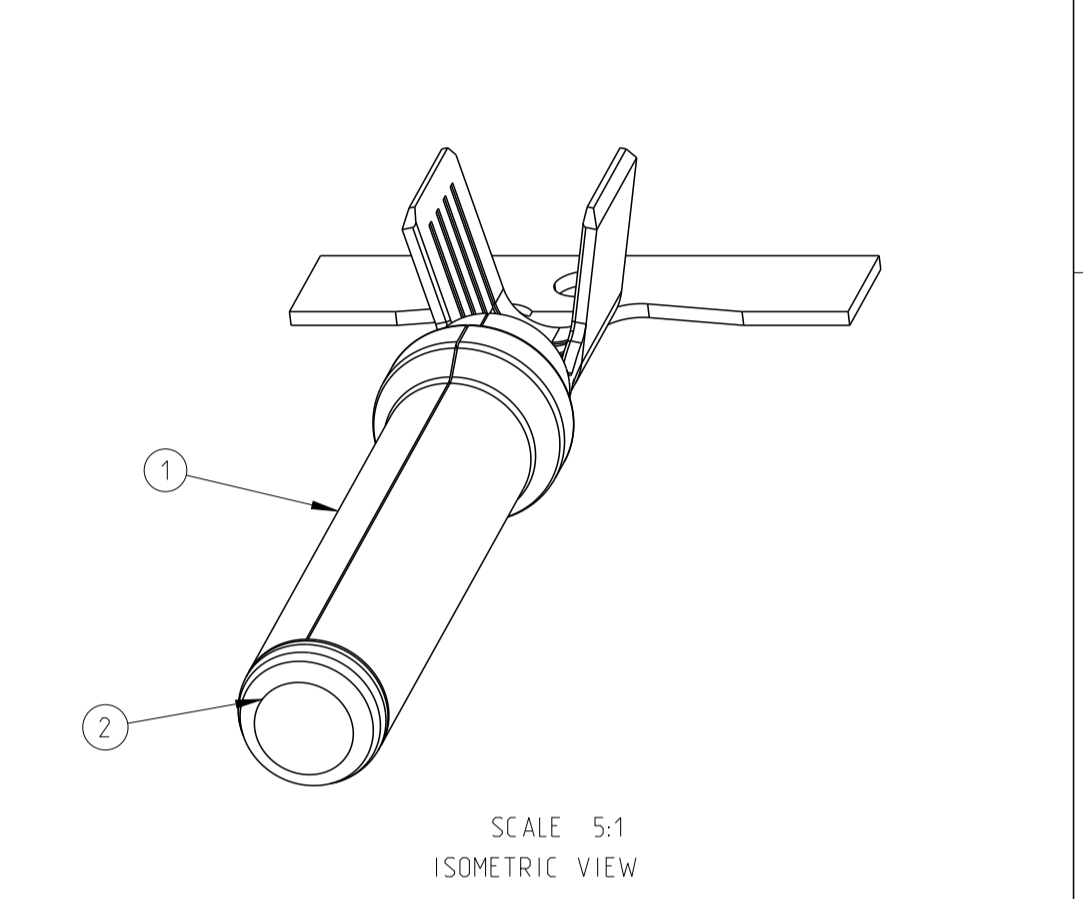
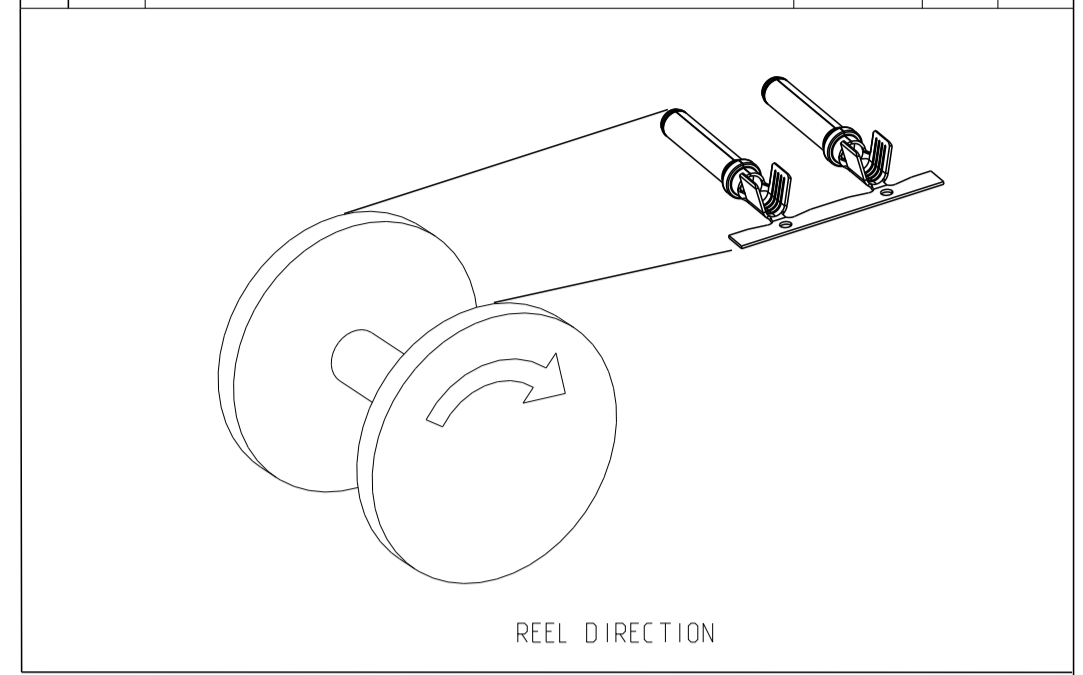
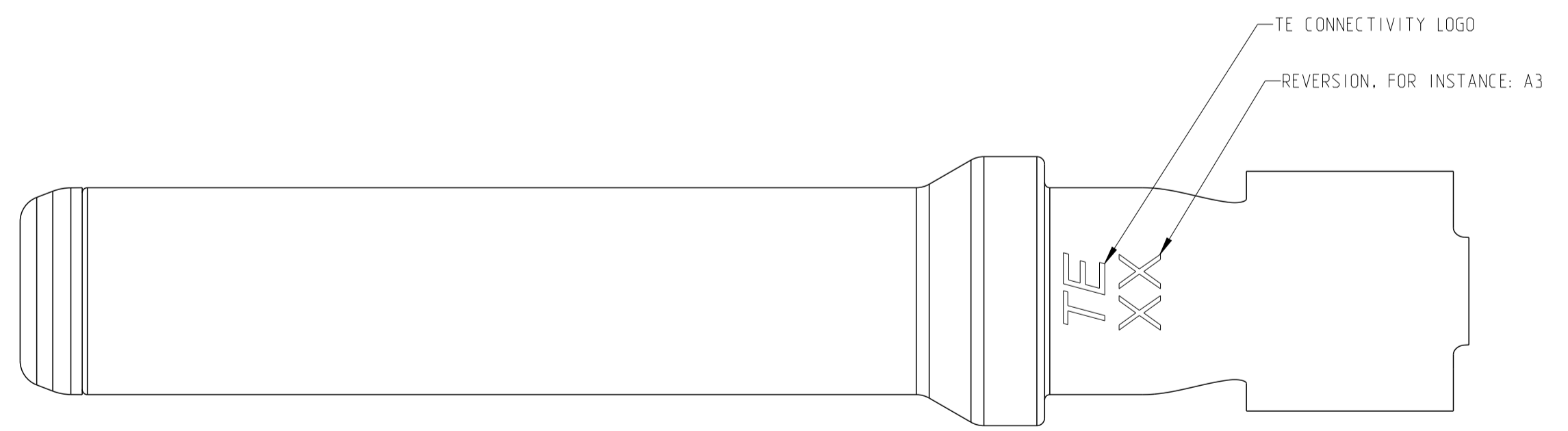
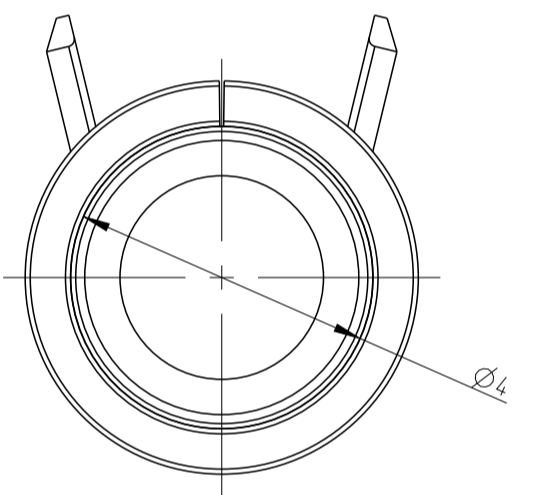
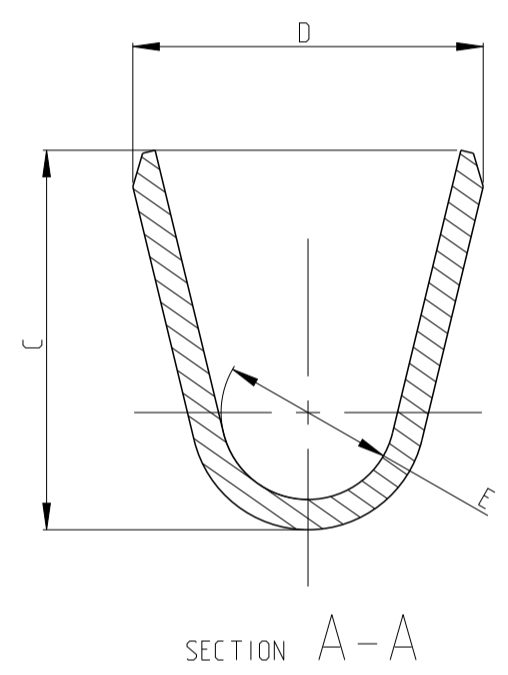
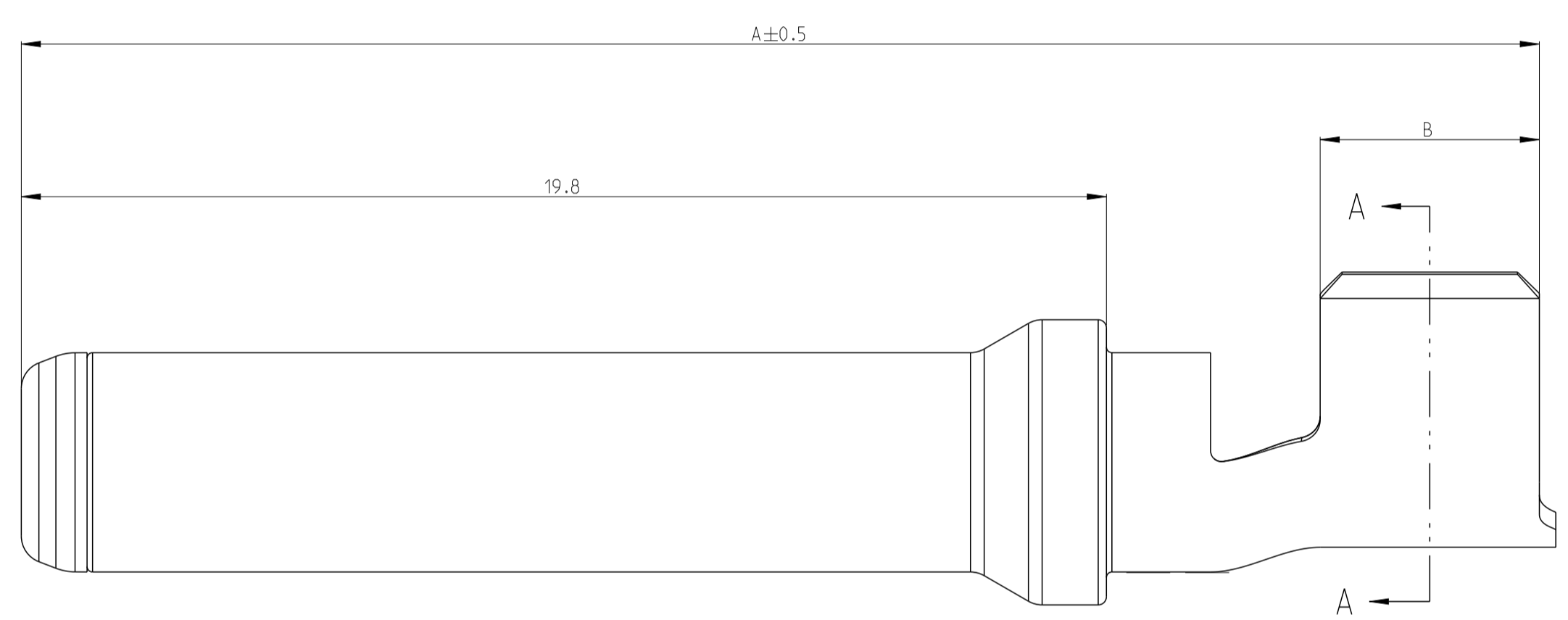
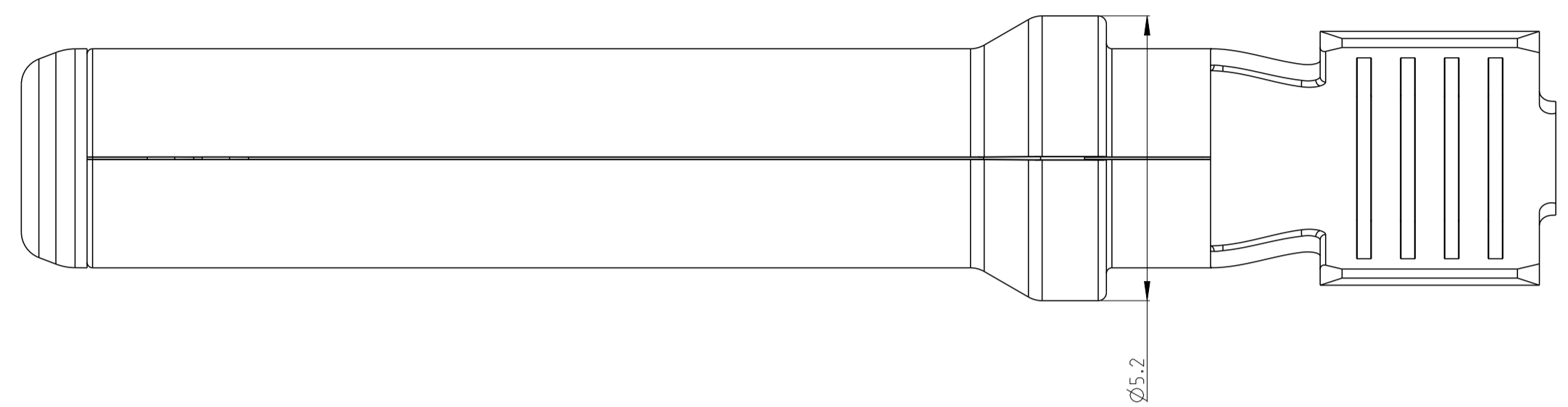


REVISIONS					
REV	LTN	DESCRIPTION	DATE	DMN	APVD
C		INITIAL RELEASE	30AUG2021	J.Y	I.Y
C1		REVISE,ADD PN 2-2349180-2	06MAR2023	J.Z	W.Z
C2		ADD PN *-2349180-3	15MAY2023	J.Z	W.Z



- 1. PACKAGING: REEL
- 2. SUITABLE FOR SOCKET CONTACT: SEE DRAWING 2349177



PART NO.	REV.	WIRE RANGE	ITEM	DESCRIPTION	MATERIAL	FINISH	DIM. A	DIM. B	DIM. C	DIM. D	DIM. E	DIM. F
2-2349180-2	A	4.0-5.0mm ²	2	CAP	PA66 GF30	-	29.85	4.5	5.83	5.33	2.9	21.45
			1	BODY	Cu-ALLOY	Ag						
1-2349180-3	A	6.0mm ²	2	CAP	PA66 GF30	-	28.2	4.5	6.32	5.55	2.9	19.8
			1	BODY	Cu-ALLOY	SnAg						
1-2349180-2	C	4.0-5.0mm ²	2	CAP	PA66 GF30	-	28.2	4.5	5.83	5.33	2.9	19.8
			1	BODY	Cu-ALLOY	SnAg						
1-2349180-1	C	2.5-3.0mm ²	2	CAP	PA66 GF30	-	27.7	4	5.02	4.63	2.3	19.8
			1	BODY	Cu-ALLOY	SnAg						
2349180-3	A	6.0mm ²	2	CAP	PA66 GF30	-	28.2	4.5	6.32	5.55	2.9	19.8
			1	BODY	Cu-ALLOY	Ag						
2349180-2	C	4.0-5.0mm ²	2	CAP	PA66 GF30	-	28.2	4.5	5.83	5.33	2.9	19.8
			1	BODY	Cu-ALLOY	Ag						
2349180-1	C	2.5-3.0mm ²	2	CAP	PA66 GF30	-	27.7	4	5.02	4.63	2.3	19.8
			1	BODY	Cu-ALLOY	Ag						

THIS DRAWING IS A CONTROLLED DOCUMENT.

DMN: J.YIN 30AUG2021
CHK: W.ZHANG 30AUG2021
APVD: J.YIN 30AUG2021

TE TE Connectivity

NAME: DIA. 4MM PIN CONTACT

PRODUCT SPEC: 108-32306
APPLICATION SPEC: 114-160038

SIZE: A | CAGE CODE: 00779 | DRAWING NO: 2349180 | RESTRICTED TO: -

SCALE: 10:1 | SHEET: 1 OF 1 | REV: C2

CUSTOMER DRAWING