

THIS DRAWING IS UNPUBLISHED.

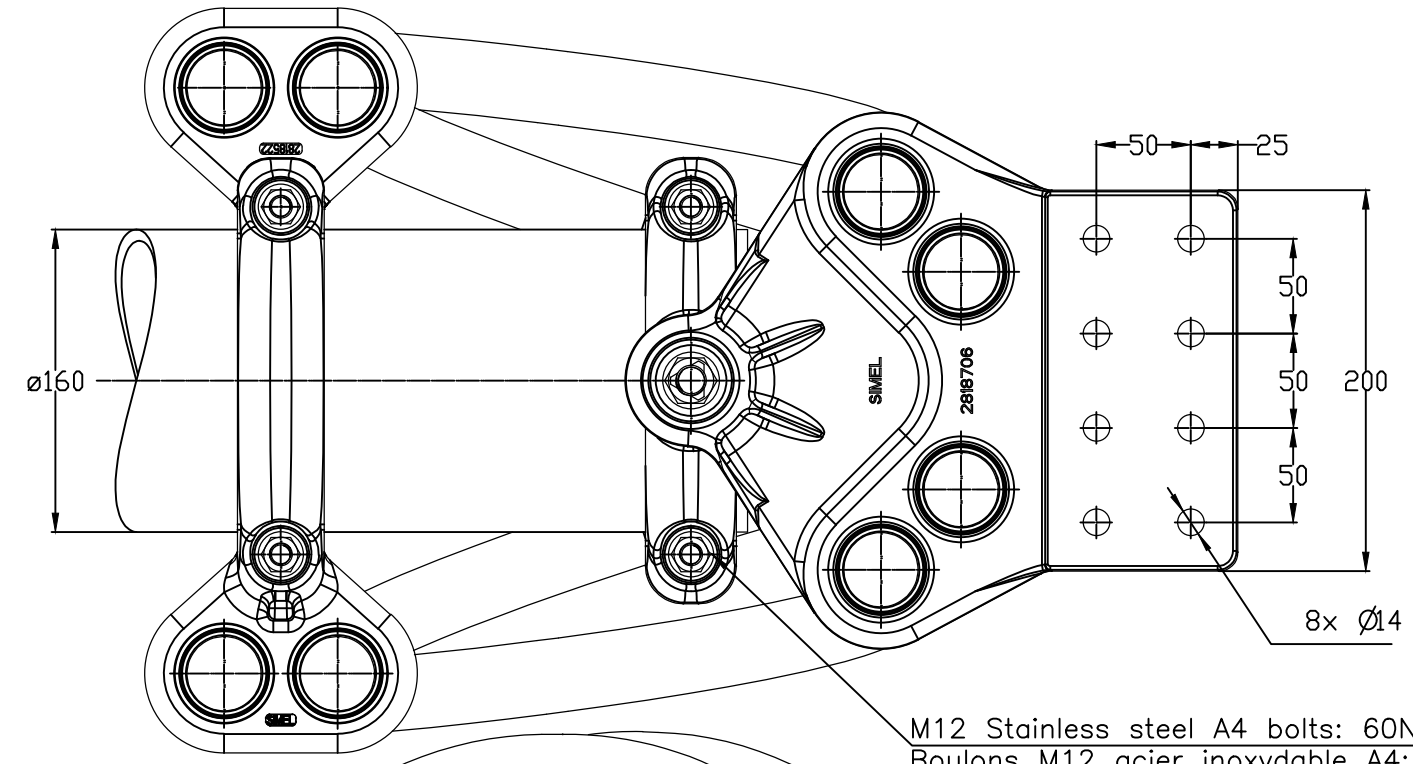
RELEASED FOR PUBLICATION

ALL RIGHTS RESERVED.

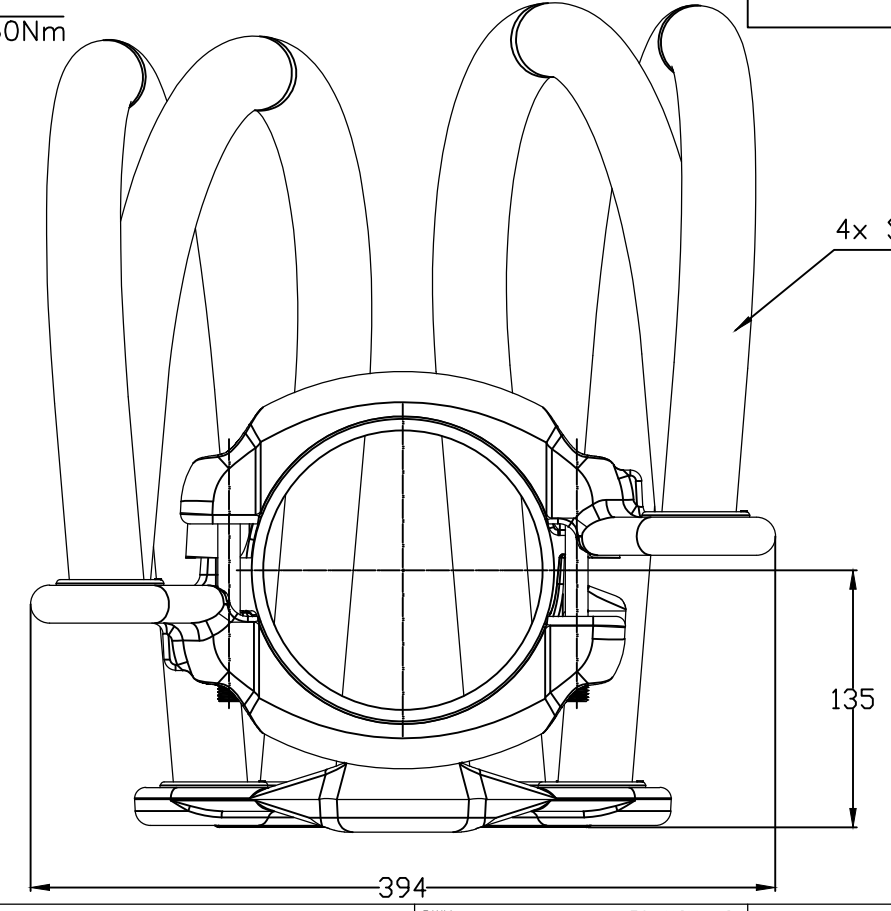
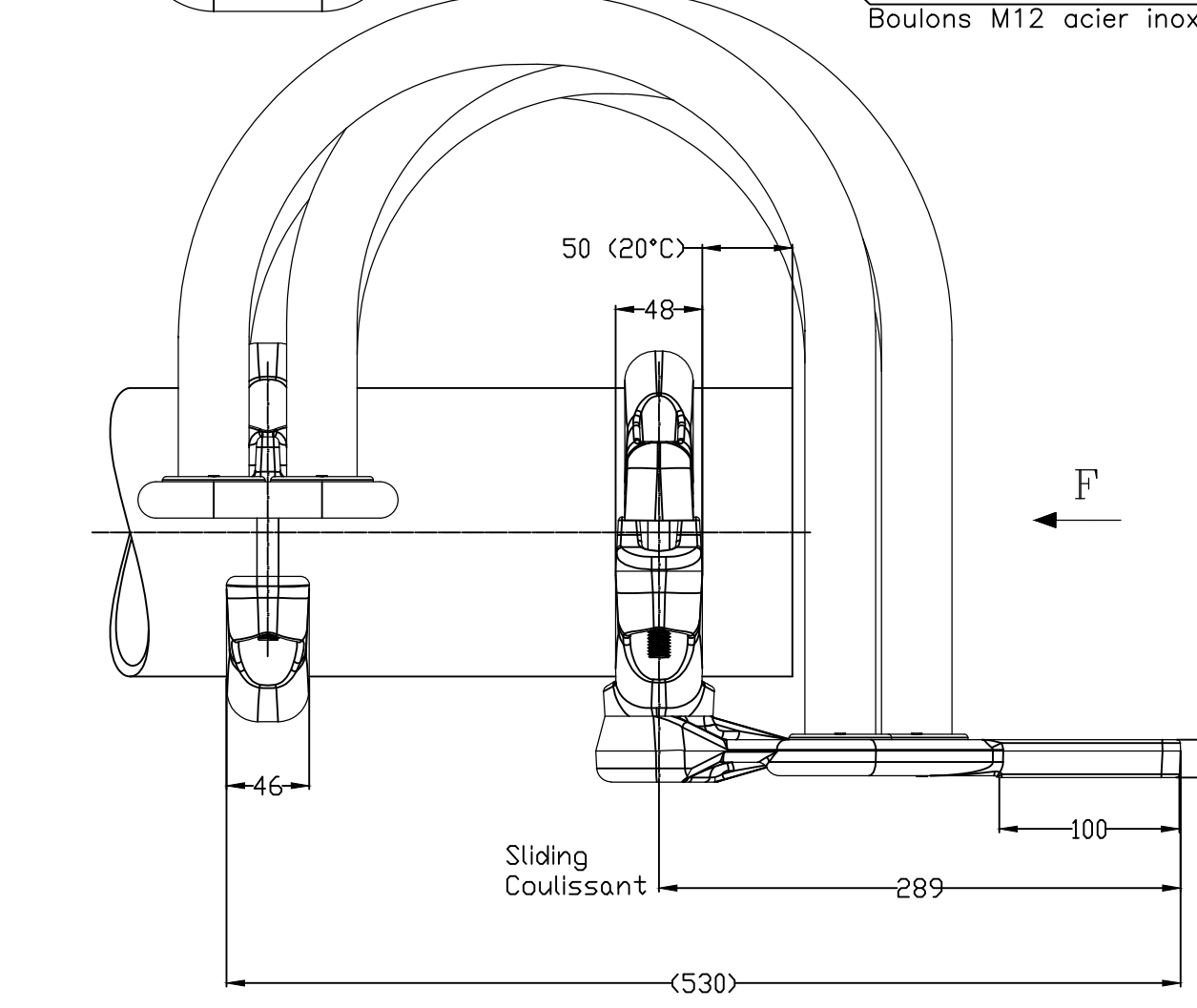
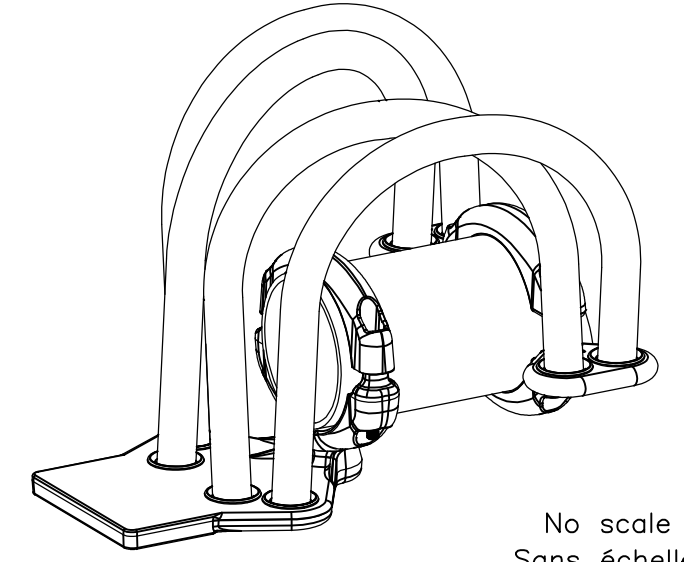
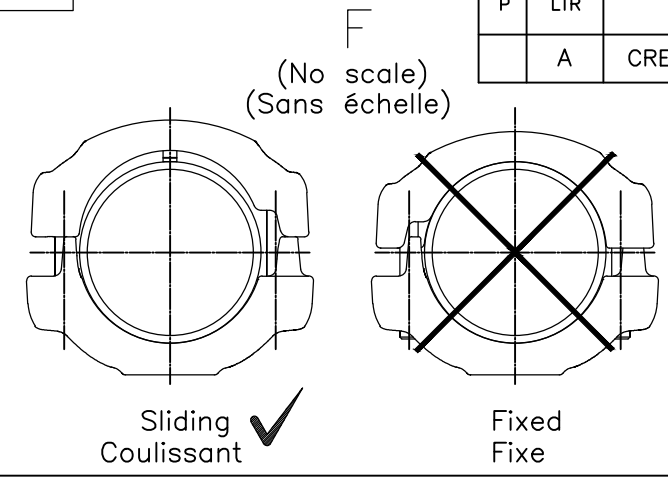
© COPYRIGHT - By -

REVISIONS

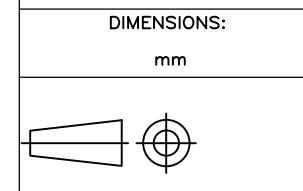
P	LTR	DESCRIPTION	DATE	DWN	APVD
	A	CREATION	30-NOV-18	GL	-



M12 Stainless steel A4 bolts: 60Nm
Boulons M12 acier inoxydable A4: 60Nm



THIS DRAWING IS A CONTROLLED DOCUMENT.



DIMENSIONS:	TOLERANCES UNLESS OTHERWISE SPECIFIED:
mm	
0 PLC	± -
1 PLC	± -
2 PLC	± -
3 PLC	± -
4 PLC	± -
ANGLES	± -
FINISH	-

DWN	LAFORGE	30-NOV-18
CHK	-	-
APVD	-	-
PRODUCT SPEC	108-69094-001	-
APPLICATION SPEC	-	-
APPROX.WEIGHT	14.9 kg	-



NAME	EXPANSION CONNECTOR FOR TUBE TO PAD RACCORD A DILATATION POUR TUBE SUR PLAGE		
SIZE	CAGE CODE	DRAWING NO	RESTRICTED TO
5	A300779	C=2348278	-

ITEM:.....

CUSTOMER DRAWING

SCALE	1:4	SHEET	1 OF 1	REV	A
-------	-----	-------	--------	-----	---