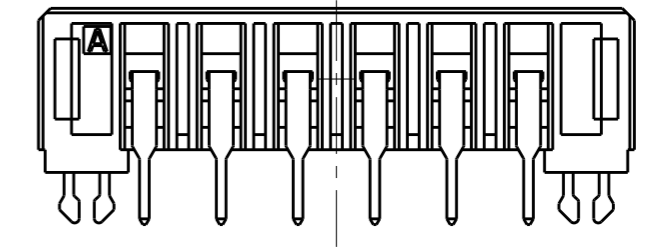
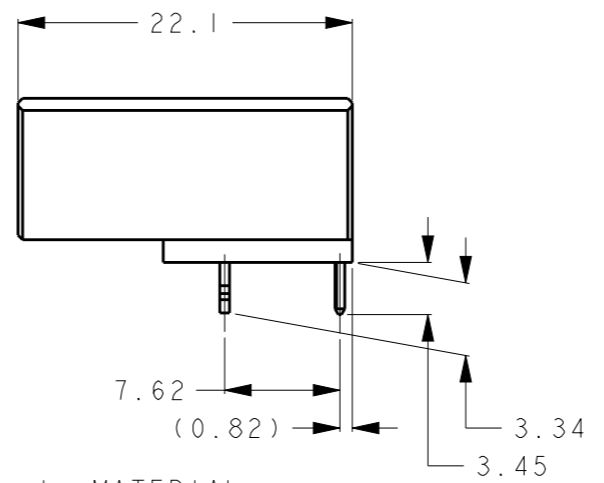
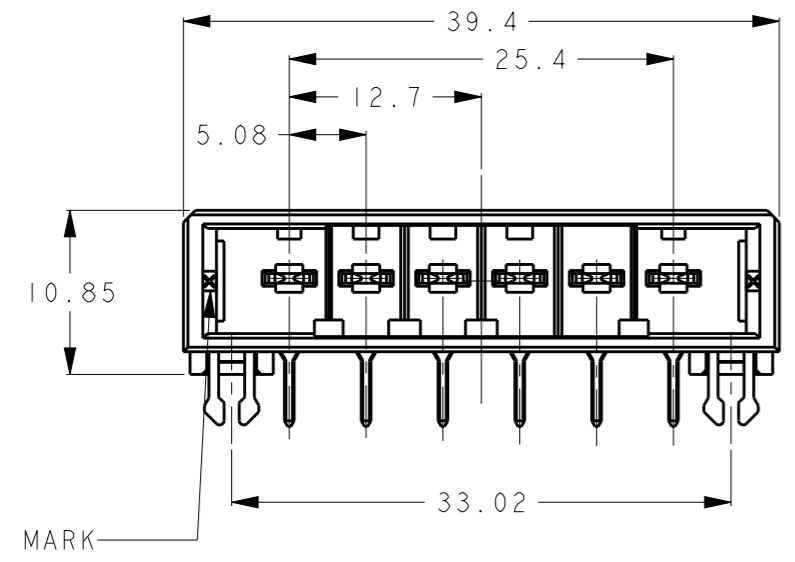
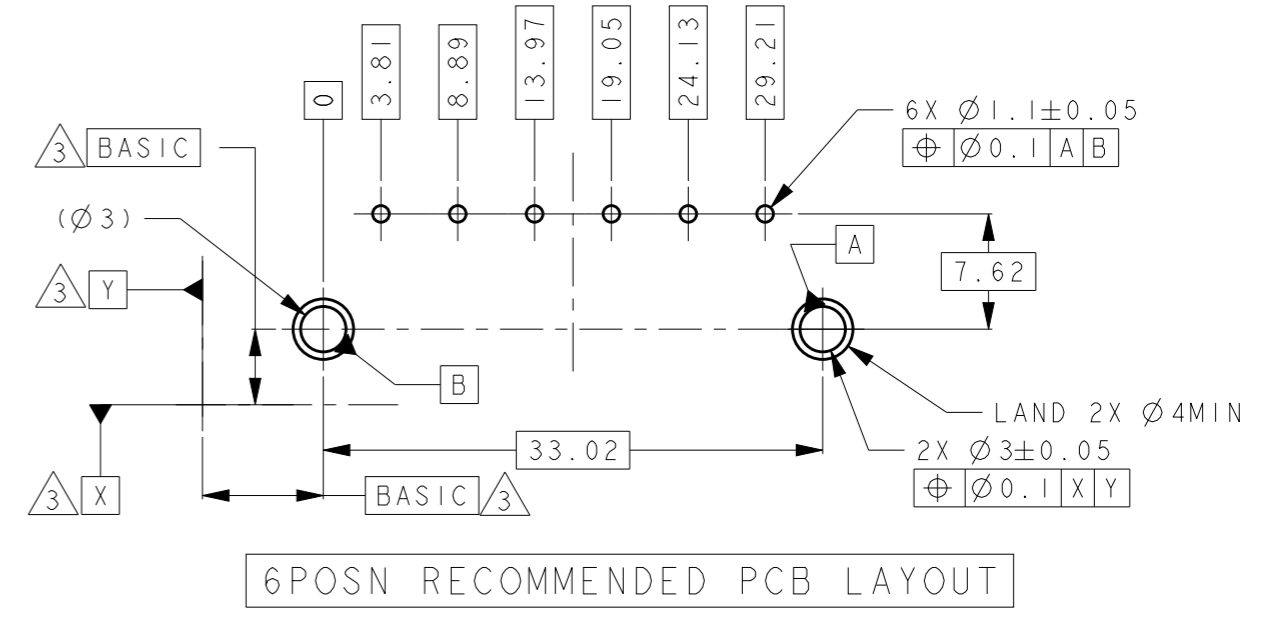
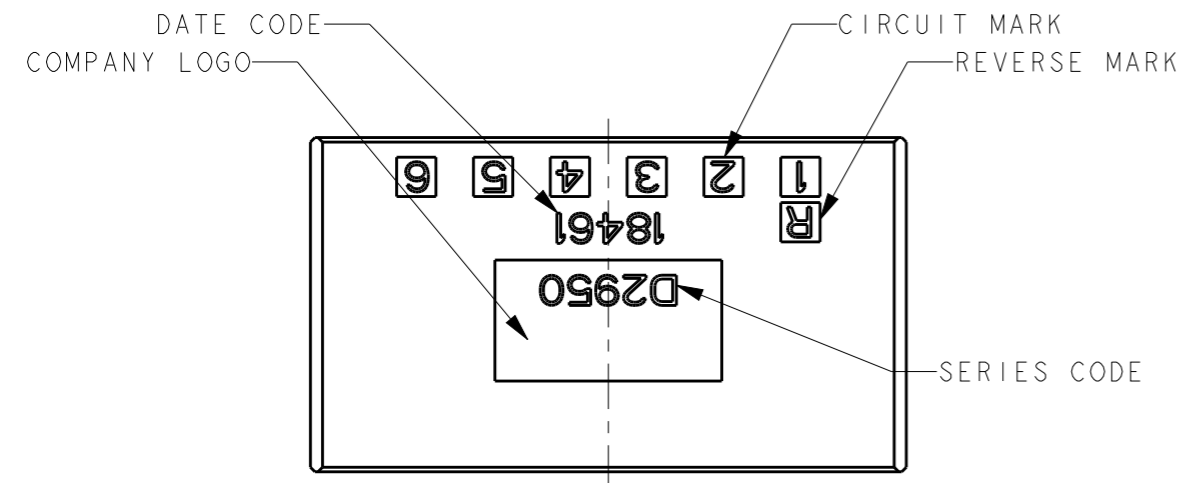


THIS DRAWING IS UNPUBLISHED. RELEASED FOR PUBLICATION 20
 © COPYRIGHT 20 BY - ALL RIGHTS RESERVED.

REVISIONS					
P	LTR	DESCRIPTION	DATE	DWN	APVD
	A	RELEASED	10OCT2019	K.T	E.I

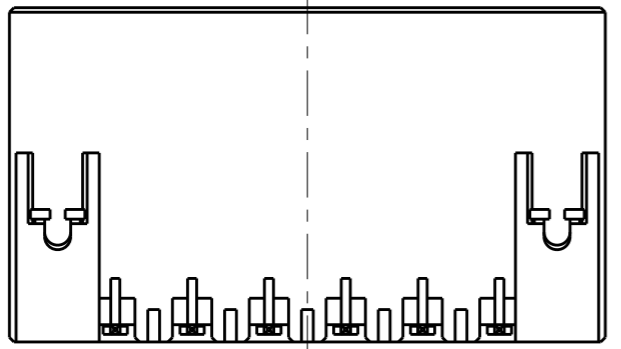


- MATERIAL
HOUSING: THERMOPLASTIC POLYESTER.
CONTACT: COPPER ALLOY
RETENSION LEG: COPPER ALLOY
- PLATING
CONTACT POINT: UNDER Ni PLATING.
OVER Au PLATING.
RETENSION LEG AND TINE : UNDER Ni PLATING.
OVER Tin PLATING.

△ DATUMS AND BASIC DIMENSIONS ESTABLISHED BY CUSTOMER.

4. INSTRUCTION SHEET: 408-78172

X	6	1-2347005-6
X	5	1-2347005-5
KEYING	POSN	PART NUMBER

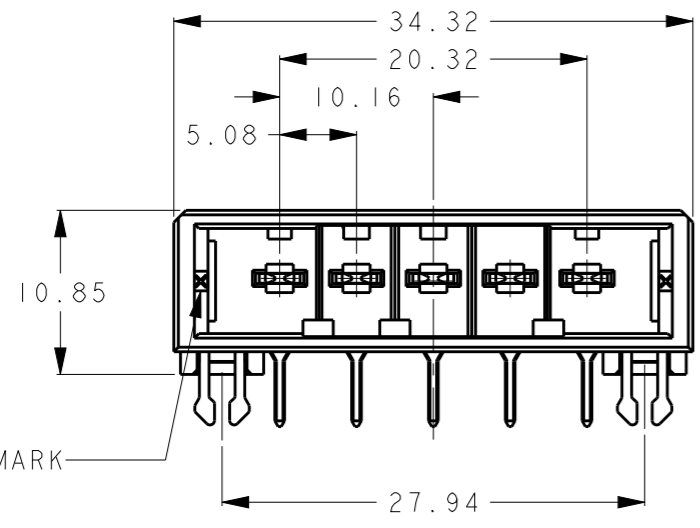
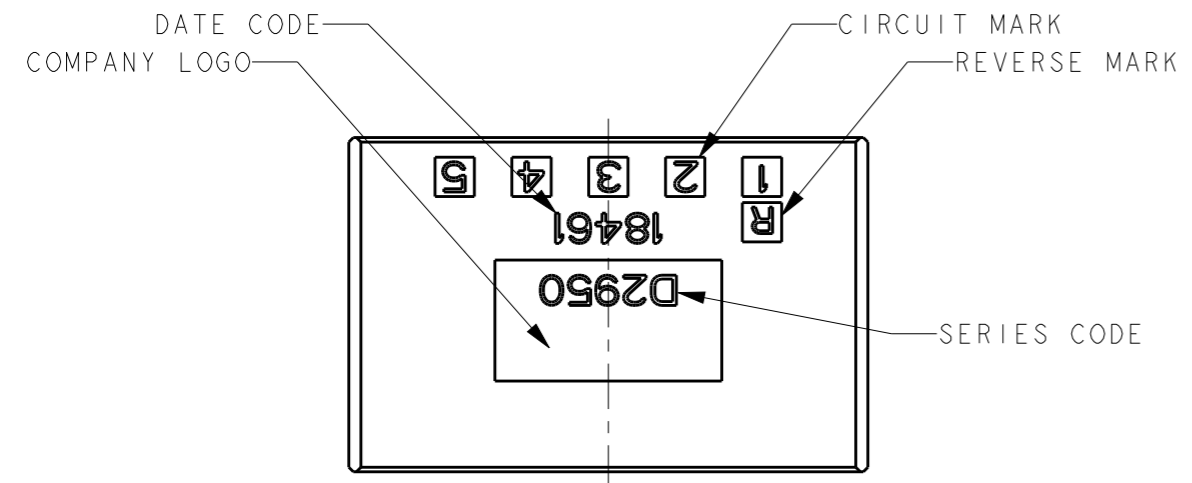


1-2347005-6
(6POSN, KEY: X)

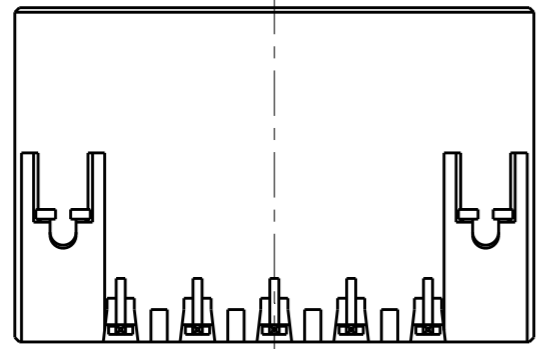
THIS DRAWING IS A CONTROLLED DOCUMENT.		DWN K. TERAJIMA 10OCT2019	TE Connectivity	
DIMENSIONS: mm		CHK T. SHIMOYASU 10OCT2019		
TOLERANCES UNLESS OTHERWISE SPECIFIED: ±0.4		APVD E. IKEMATSU 10OCT2019	NAME D2950 FIELD INSTALLABLE SPRING CLAMP CONNECTOR HDR	
0 PLC ± 1 PLC ± 2 PLC ± 3 PLC ± 4 PLC ± ANGLES ±3°		PRODUCT SPEC 108-140221	DRAWING NO A300779	
MATERIAL -		FINISH -	RESTRICTED TO -	
-		WEIGHT -	SCALE 2:1 SHEET 1 OF 2 REV A	
-		CUSTOMER DRAWING	CAGE CODE G-2347005	

THIS DRAWING IS UNPUBLISHED. RELEASED FOR PUBLICATION 20
 © COPYRIGHT 20 BY - ALL RIGHTS RESERVED.

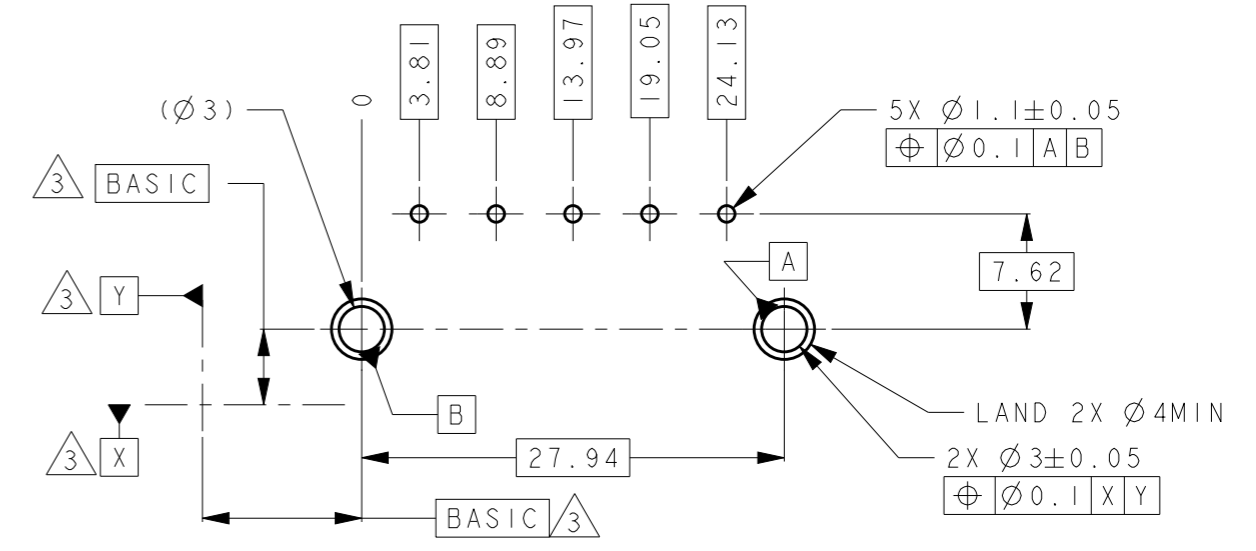
REVISIONS					
P	LTR	DESCRIPTION	DATE	DWN	APVD
		SEE SHEET 1			



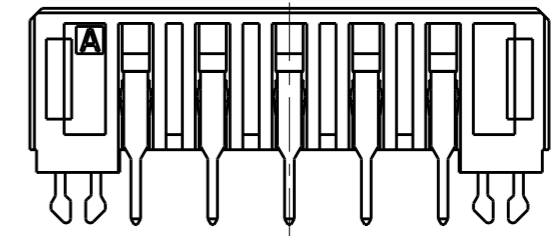
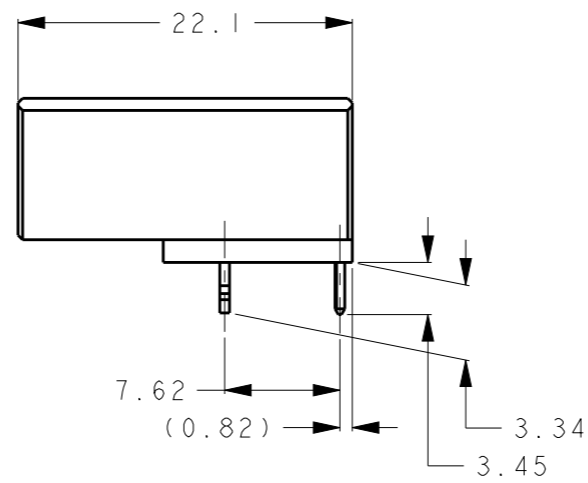
KEYING MARK


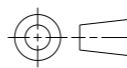


1-2347005-5
(5POSN, KEY: X)



5POSN RECOMMENDED PCB LAYOUT



THIS DRAWING IS A CONTROLLED DOCUMENT.		DWN K. TERAJIMA 10OCT2019	 TE Connectivity		
DIMENSIONS: mm		CHK T. SHIMOYASU 10OCT2019			NAME D2950 FIELD INSTALLABLE SPRING CLAMP CONNECTOR HDR
		APVD E. IKEMATSU 10OCT2019			SIZE A300779
TOLERANCES UNLESS OTHERWISE SPECIFIED: ±0.4		PRODUCT SPEC -	DRAWING NO C-2347005	RESTRICTED TO -	
0 PLC ± 1 PLC ± 2 PLC ± 3 PLC ± 4 PLC ± ANGLES ±3°		APPLICATION SPEC -	WEIGHT -	SCALE 2:1	
MATERIAL -		FINISH -	CUSTOMER DRAWING	SHEET 2 OF 2 REV A	