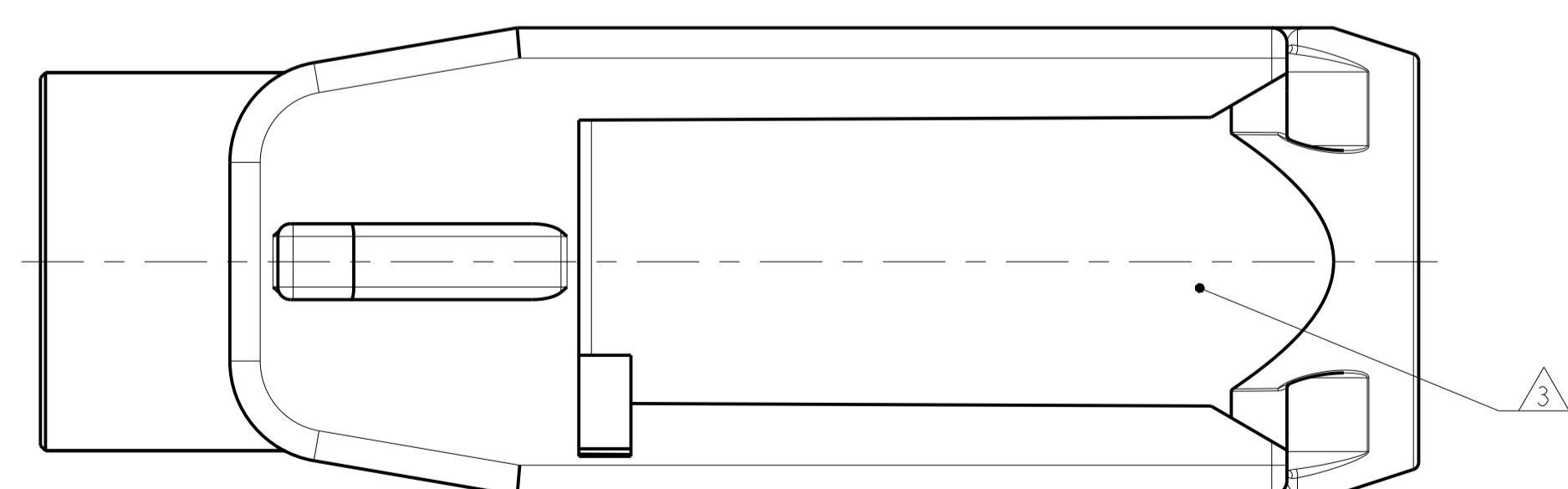
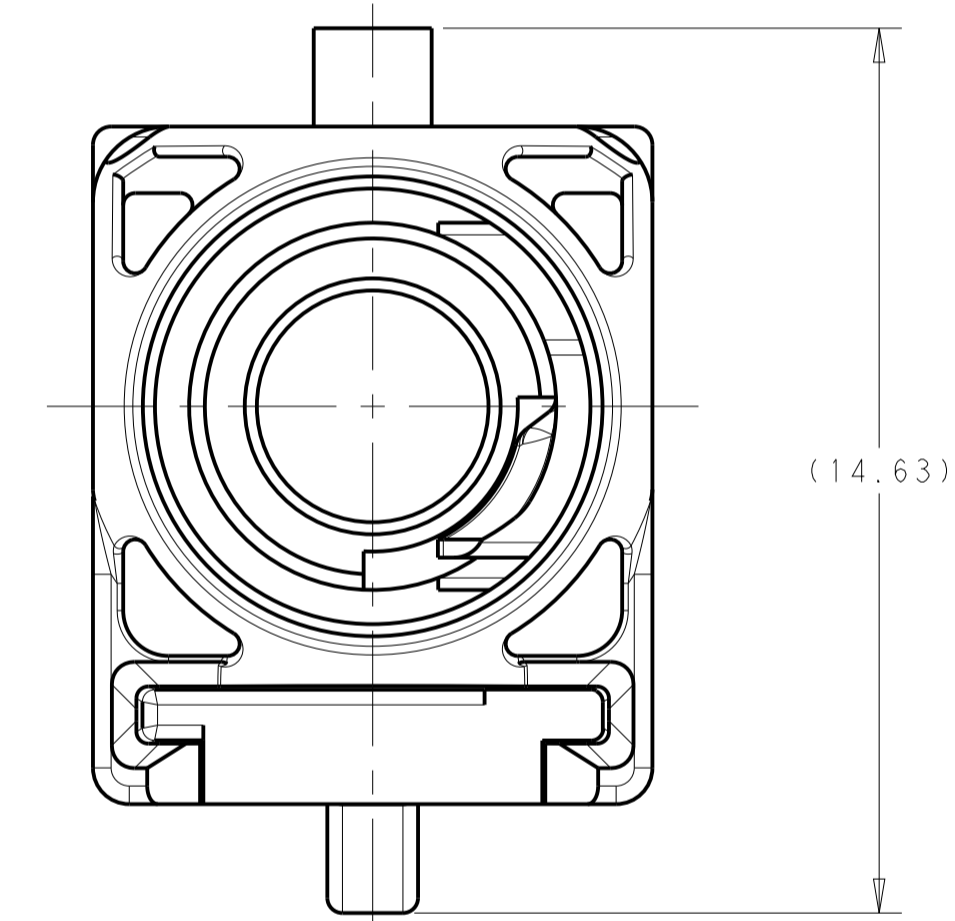
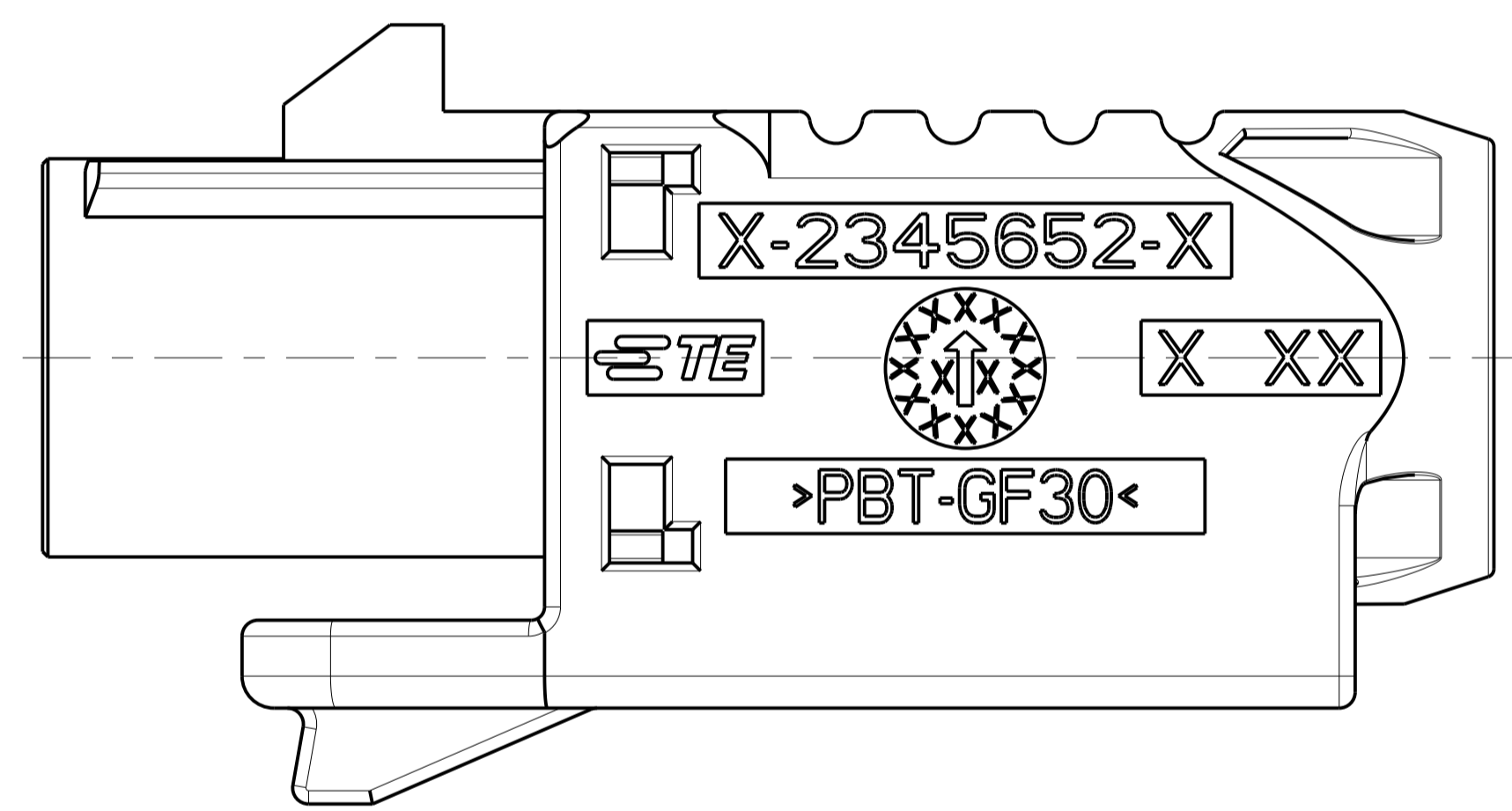
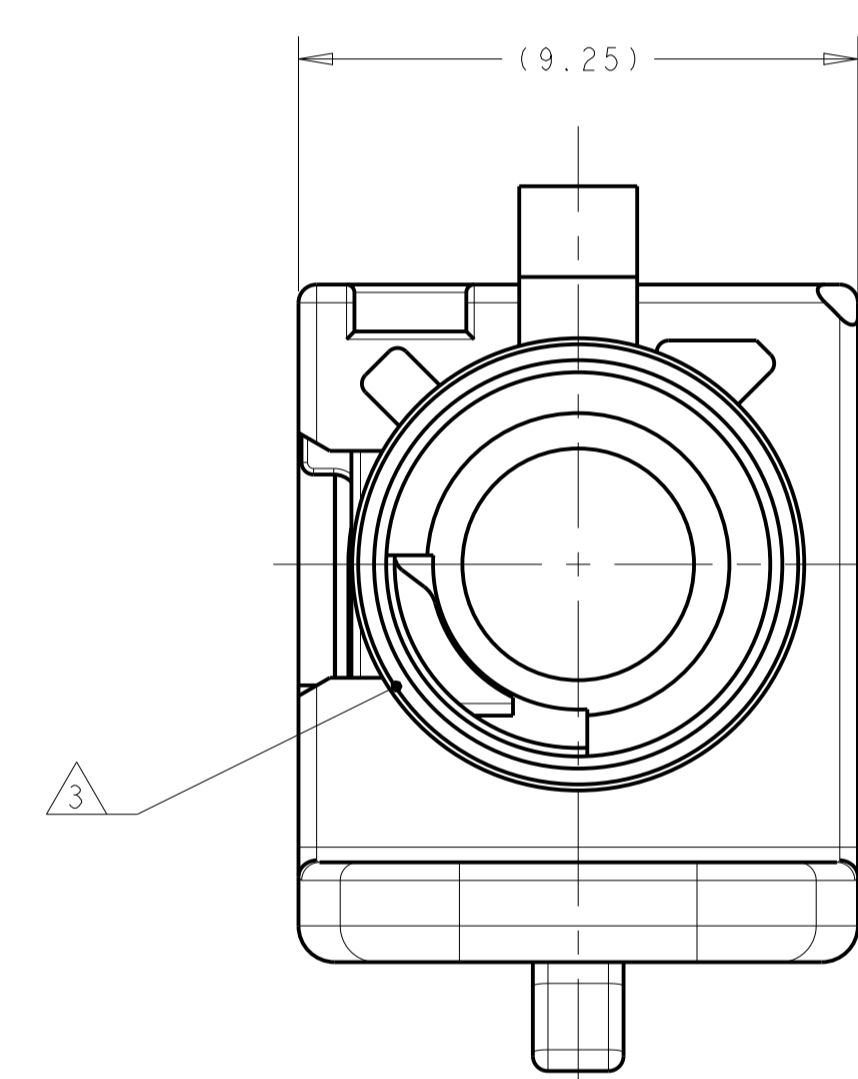
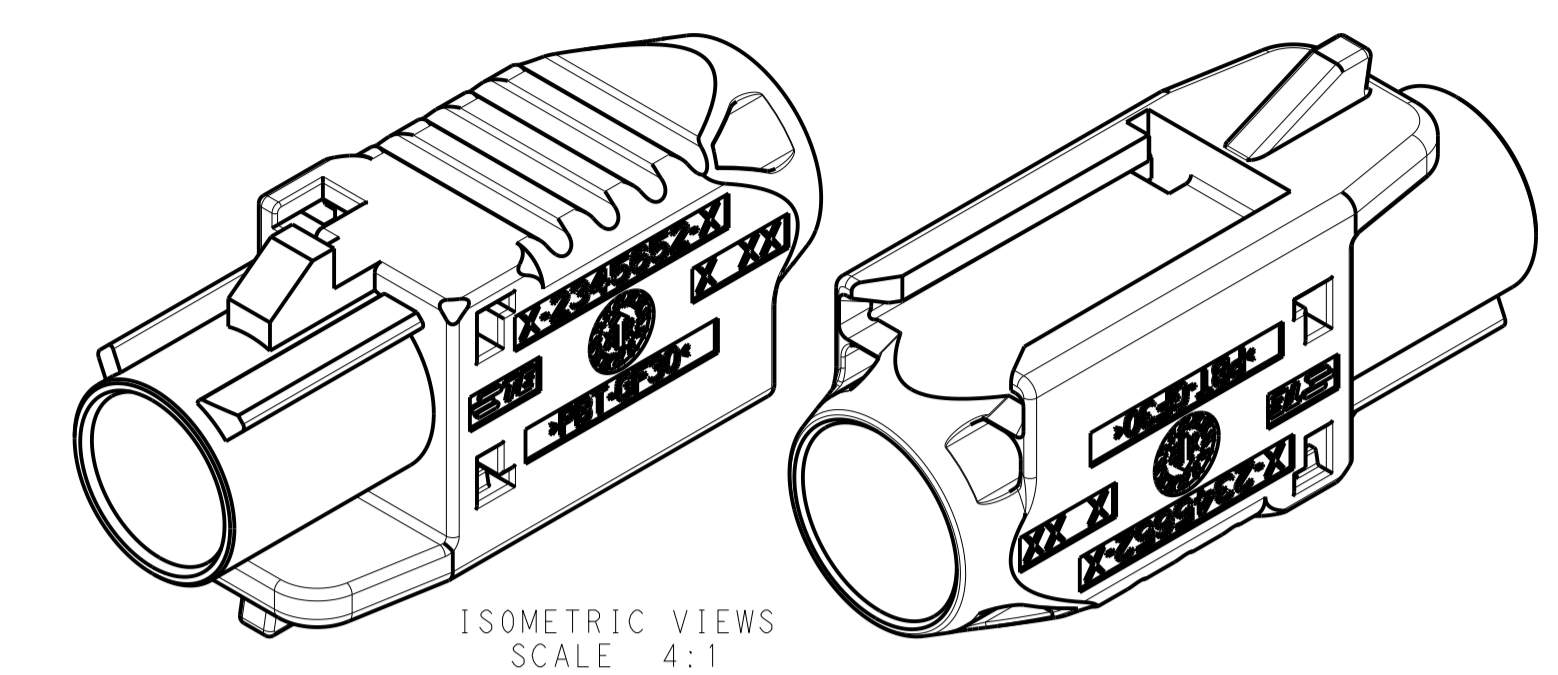
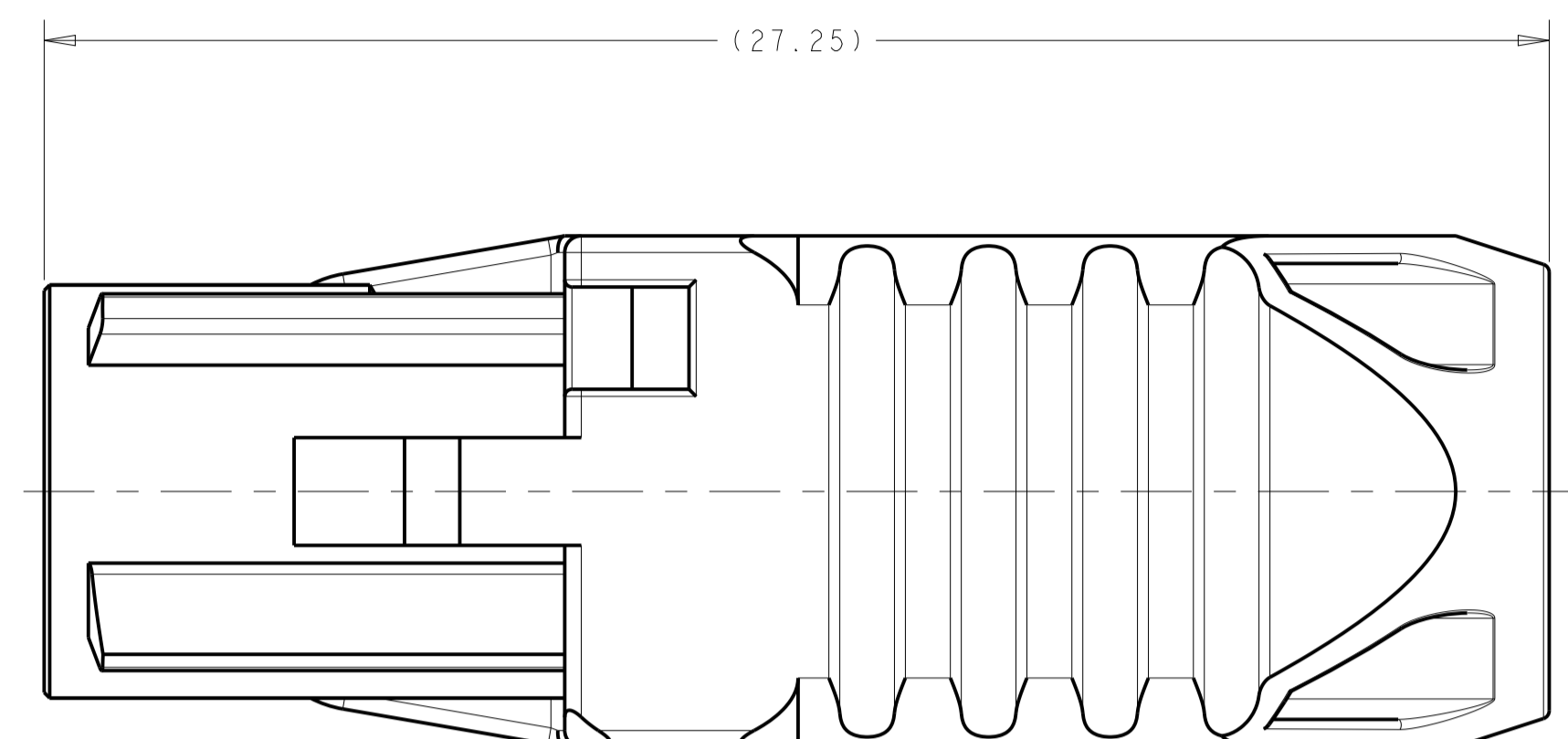


REVISIONS				
P.	LTN	DESCRIPTION	DATE	APVD
1		INITIAL DRAWING	05JUL2019	JMS NE
A		INITIAL RELEASE	03MAR2021	VS AC

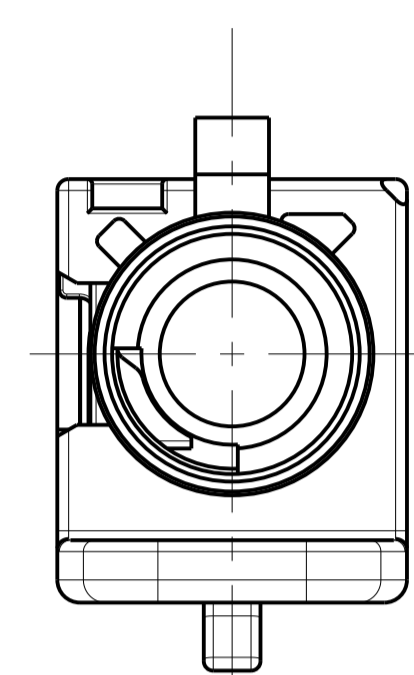


Z	PER DETAIL Z	WATER BLUE	2-2345652-0
N	PER DETAIL N	PASTEL GREEN	1-2345652-3
M	PER DETAIL M	PASTEL ORANGE	1-2345652-2
L	PER DETAIL L	CARMINE RED	1-2345652-1
K	PER DETAIL K	CURRY	1-2345652-0
I	PER DETAIL I	BEIGE	2345652-9
H	PER DETAIL H	HEATHER VIOLET	2345652-8
G	PER DETAIL G	BLUE GREY	2345652-7
F	PER DETAIL F	NUT BROWN	2345652-6
E	PER DETAIL E	LEAF GREEN	2345652-5
D	PER DETAIL D	CLARET VIOLET	2345652-4
C	PER DETAIL C	SIGNAL BLUE	2345652-3
B	PER DETAIL B	CREAM	2345652-2
A	PER DETAIL A	JET BLACK	2345652-1
KEY CODE	KEYING	CODING COLOR	PART NUMBER

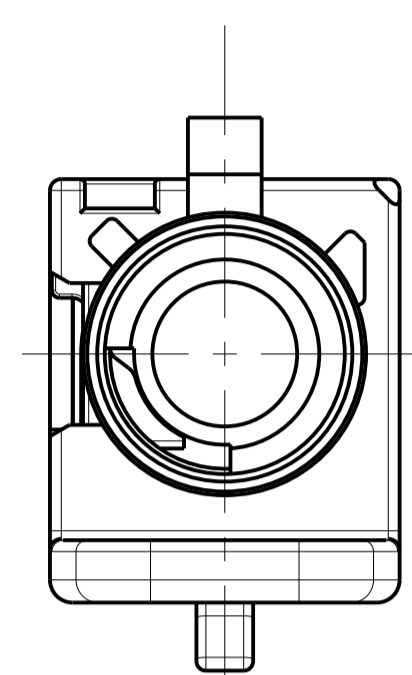
- 1. 2345652-1 AS SHOWN.
- 2 MATERIAL, POLYESTER PBT, COLOR SEE TABLE.
- 3 STANDARD 7mm CLIP SLOT EWCAP-005-7.
- 4 MALE INTERFACE PER ISO-20860-1, ISO-20860-2, SAE/USCAR-17, SAE/USCAR-18.

THIS DRAWING IS A CONTROLLED DOCUMENT.		OWN: J. SHIRK 05JUL2019	TE Connectivity
		CHK: N. EVANS 05JUL2019	
DIMENSIONS:		APVD: N. EVANS 05JUL2019	NAME: MALE HOUSING, CLIP SLOT, 1 POSITION, FAKRA PRODUCT SPEC: 108-32137 APPLICATION SPEC: 114-32145
TOLERANCES UNLESS OTHERWISE SPECIFIED: 0 PLC ± 1 PLC ± 2 PLC ± 3 PLC ± 4 PLC ± ANGLES ± FINISH		SIZE: A CAGE CODE: - DRAWING NO: 2345652 RESTRICTED TO: -	
MATERIAL: 2		WEIGHT: -	CUSTOMER DRAWING SCALE: 8:1 SHEET 1 OF 2 REV A

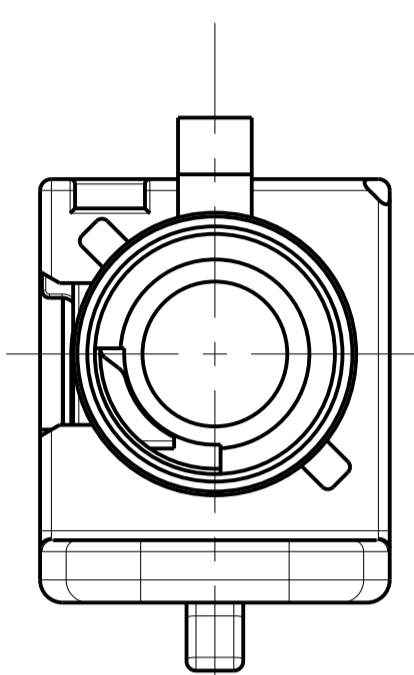
REVISIONS				
P.	LTN	DESCRIPTION	DATE	APVD
-		SEE SHEET 1	-	-



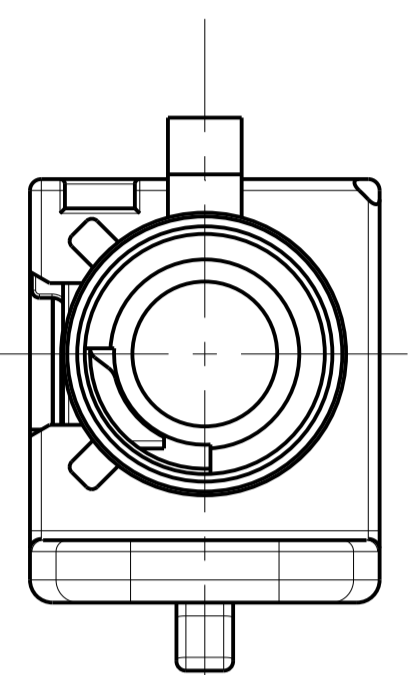
DETAIL A
SCALE 5:1



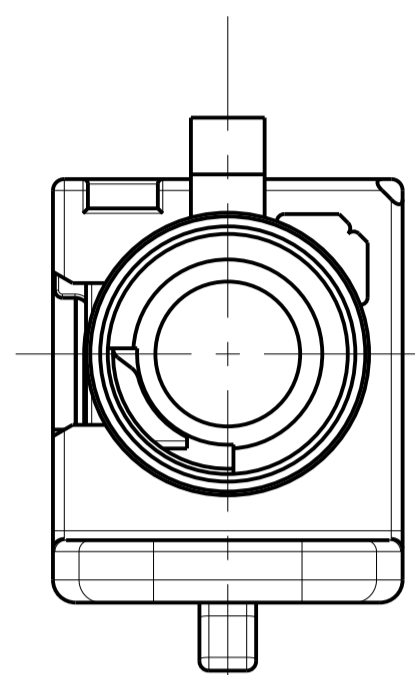
DETAIL B
SCALE 5:1



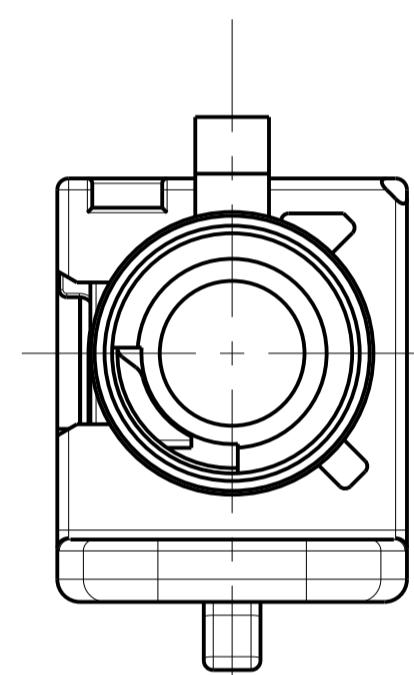
DETAIL C
SCALE 5:1



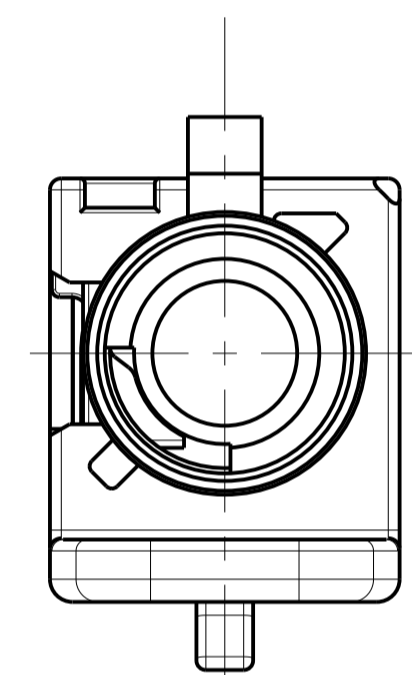
DETAIL D
SCALE 5:1



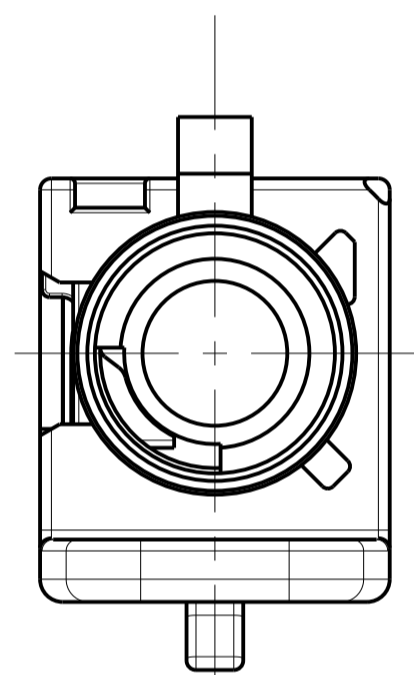
DETAIL E
SCALE 5:1



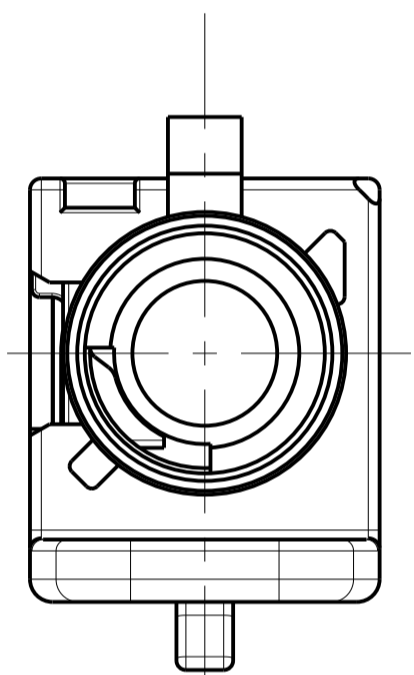
DETAIL F
SCALE 5:1



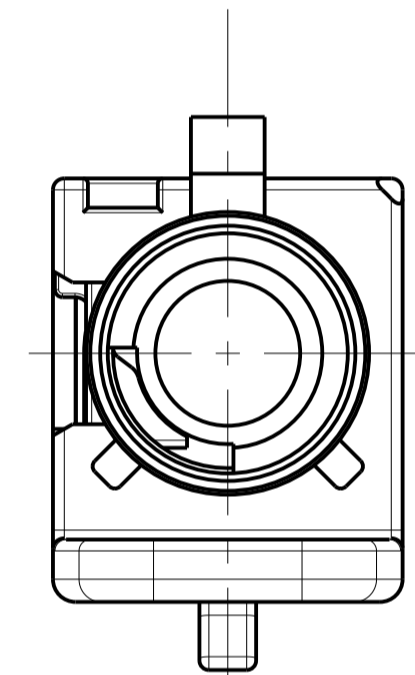
DETAIL G
SCALE 5:1



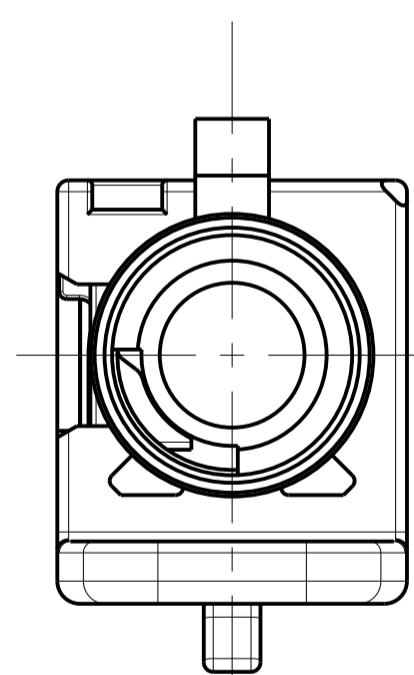
DETAIL H
SCALE 5:1



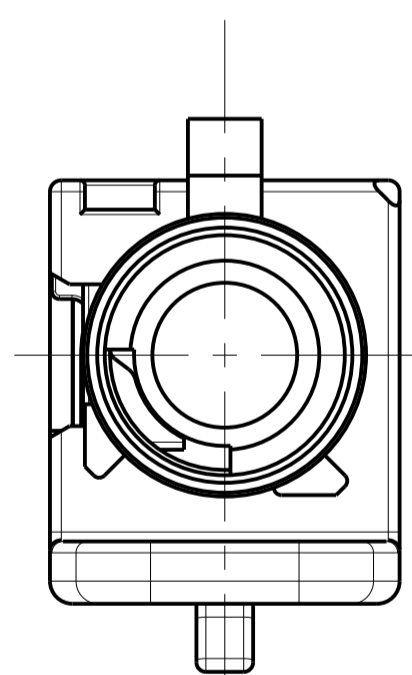
DETAIL I
SCALE 5:1



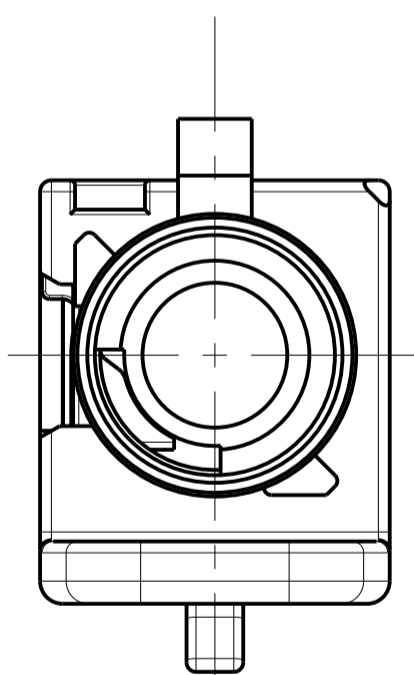
DETAIL K
SCALE 5:1



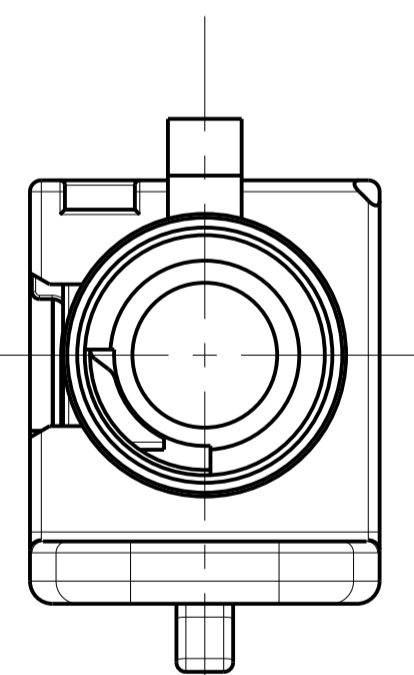
DETAIL L
SCALE 5:1



DETAIL M
SCALE 5:1



DETAIL N
SCALE 5:1



DETAIL Z
SCALE 5:1

THIS DRAWING IS A CONTROLLED DOCUMENT.		OWN: J. SHIRK 05JUL2019	
DIMENSIONS: mm		CHK: N. EVANS 05JUL2019	
TOLERANCES UNLESS OTHERWISE SPECIFIED:		APVD: N. EVANS 05JUL2019	NAME: MALE HOUSING, CLIP SLOT, 1 POSITION, FAKRA
0 PLC ±	1 PLC ±	PRODUCT SPEC	RESTRICTED TO
2 PLC ±	3 PLC ±	108-32137	
4 PLC ±	ANGLES ±	APPLICATION SPEC	
		114-32145	
MATERIAL:	FINISH:	WEIGHT:	SIZE: A
			CAGE CODE: -
			DRAWING NO: C=2345652
		CUSTOMER DRAWING	SCALE: 8:1
			SHEET 2 OF 2
			REV A