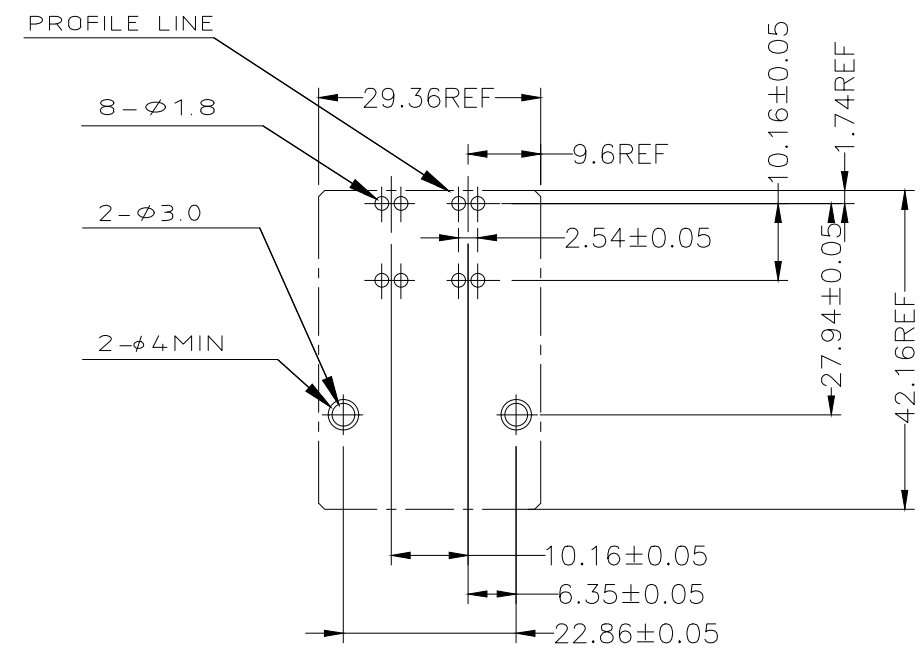
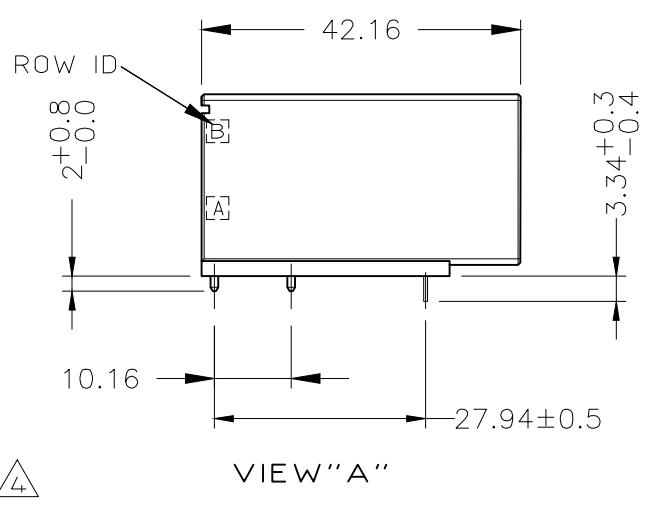
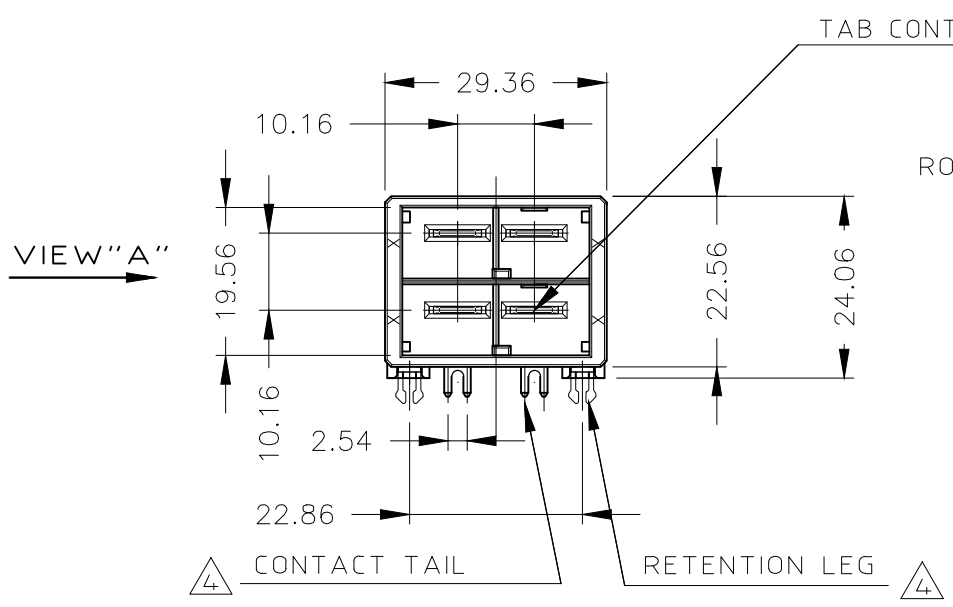
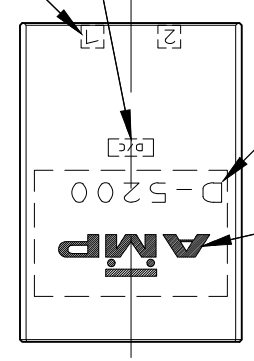


THIS DRAWING IS UNPUBLISHED. RELEASED FOR PUBLICATION
 © COPYRIGHT 2018 By Tyco Electronics Japan G.K. ALL RIGHTS RESERVED.

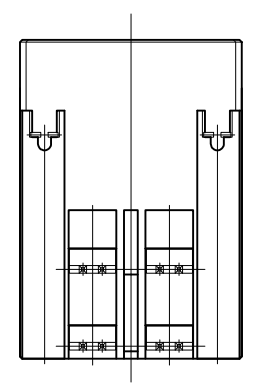
REVISIONS				
P	LTR	DESCRIPTION	DATE	APVD
	A	INITIAL	12NOV2018	A.W R.B

CIRCUIT NO DATE CODE SERIES MARK



RECOMENDED PC BOARD HOLE PATTERN(TOL:±0.05)
 PC BOARD THICKNESS:1.6~2.4±0.1
 (CONNECTOR MOUNT SIDE)

- 1. MATERIAL:HOUSING:GLASS FILED THERMO PLASTIC ,POLYESTER(94V-0),COLOR:BLACK
 TAB CONTACT:COPPER ALLOY
 RETENTION LEG:BRASS
- 2. FINISH(CONTACT AREA):0.38μmMIN GOLD PLATING OVER Ni PLATING
- 3. FINISH(RETENTION LEG AND CONTACT TAIL): TIN PLATED OVER NICKEL



XX	2 3	1-2344451-2
KEY TYPE	FINISH	PART NO.

THIS DRAWING IS A CONTROLLED DOCUMENT.		DWN ALVIIN.W 08NOV2018	TE Connectivity	
DIMENSIONS: mm		CHK RICK.B 08NOV2018		
TOLERANCES UNLESS OTHERWISE SPECIFIED:		APVD RICK.B 08NOV2018	NAME	
0 RLC ± 10 ₂ ± 0.3 1 PLC ± 30 ₂ > 10 ± 0.35 2 PLC ± 100 ₂ > 30 ± 0.4 3 PLC ± 4 PLC ANGLES ± 3°		PRODUCT SPEC 108-5453	DOUBLE ROW HEADER ASSY 4P H-TYPE DYNAMIC D-5200 D	
MATERIAL SEE NOTE		FINISH SEE NOTE	APPLICATION SPEC 114-5246	RESTRICTED TO
		WEIGHT	SIZE A3	CAGE CODE 00779
			DRAWING NO C-2344451	SCALE 1:1
			CUSTOMER DRAWING	SHEET 1 OF 1
				REV A