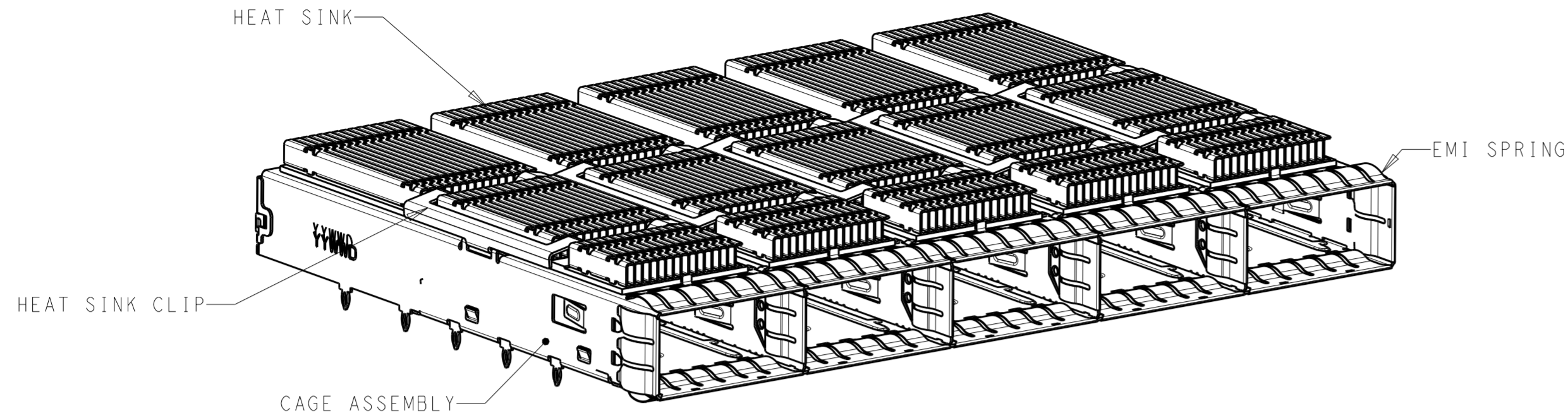


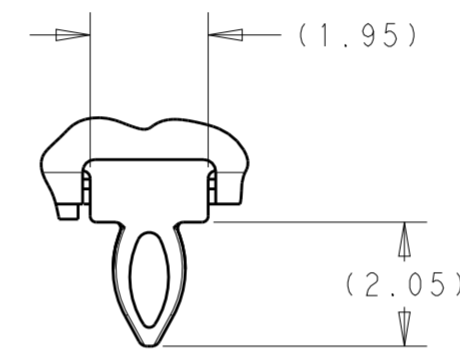
THIS DRAWING IS UNPUBLISHED. RELEASED FOR PUBLICATION 20
 © COPYRIGHT 20 BY - ALL RIGHTS RESERVED.

REVISIONS				
P	LTR	DESCRIPTION	DATE	APVD
A		PRODUCTION RELEASE	13JUN2019	JW SH
A1		REVISED PER ECO-20-016374	19NOV2020	SH SZ
A2		REVISED PER ECO-20-017424	10DEC2020	SH SZ

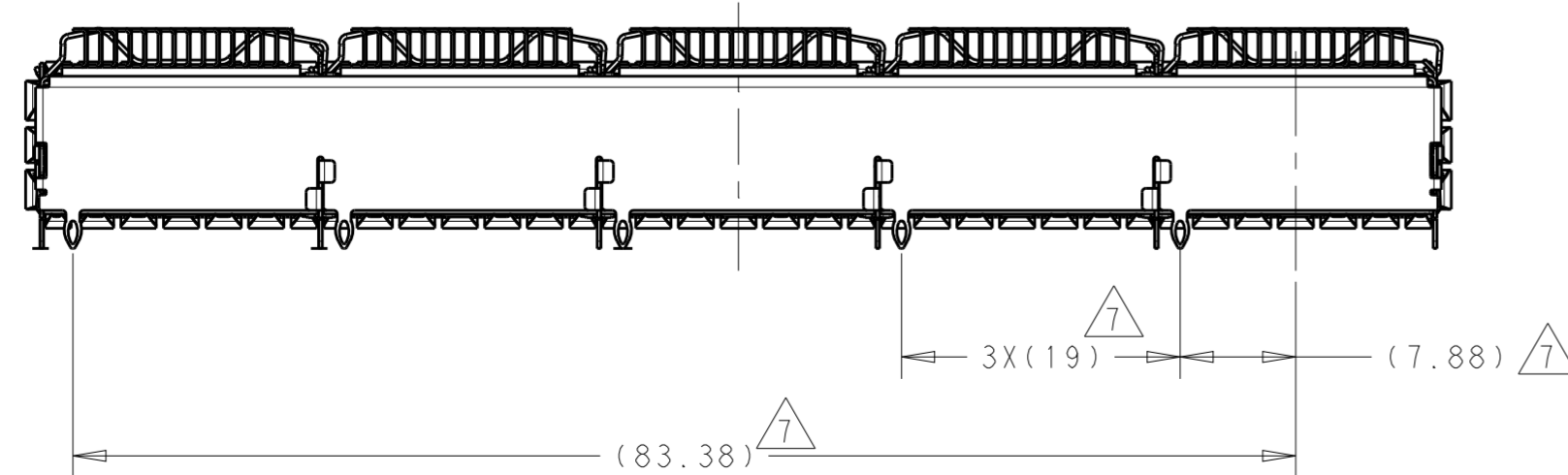
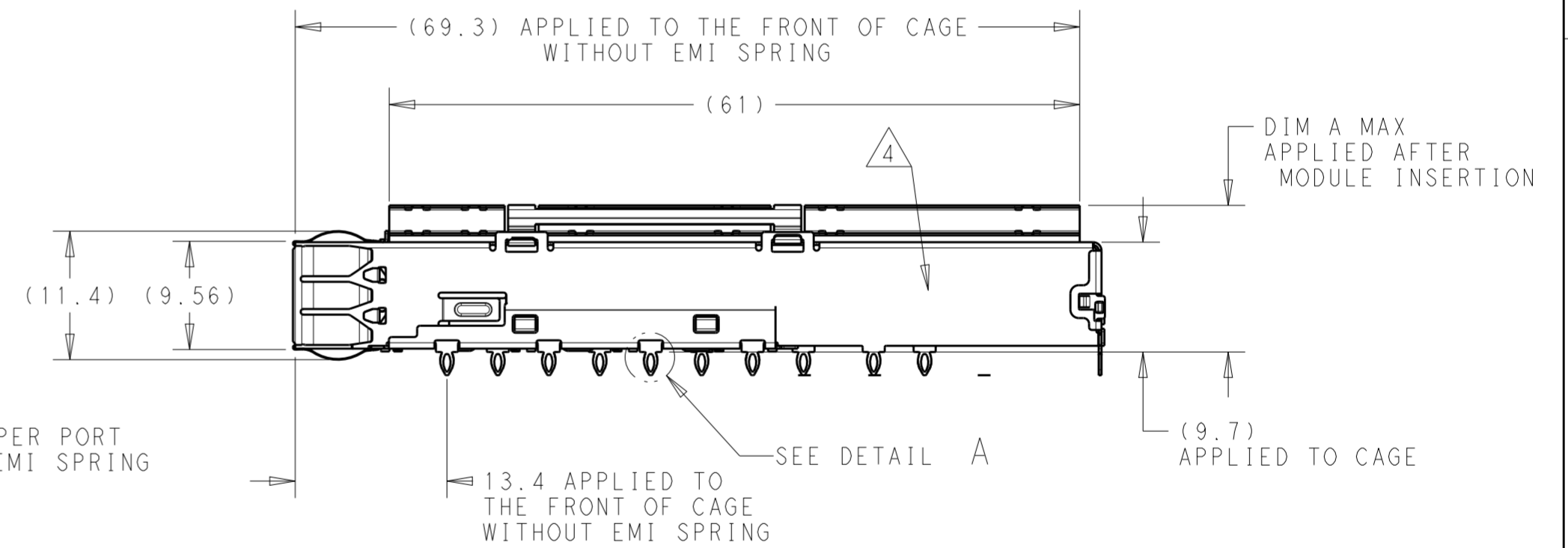
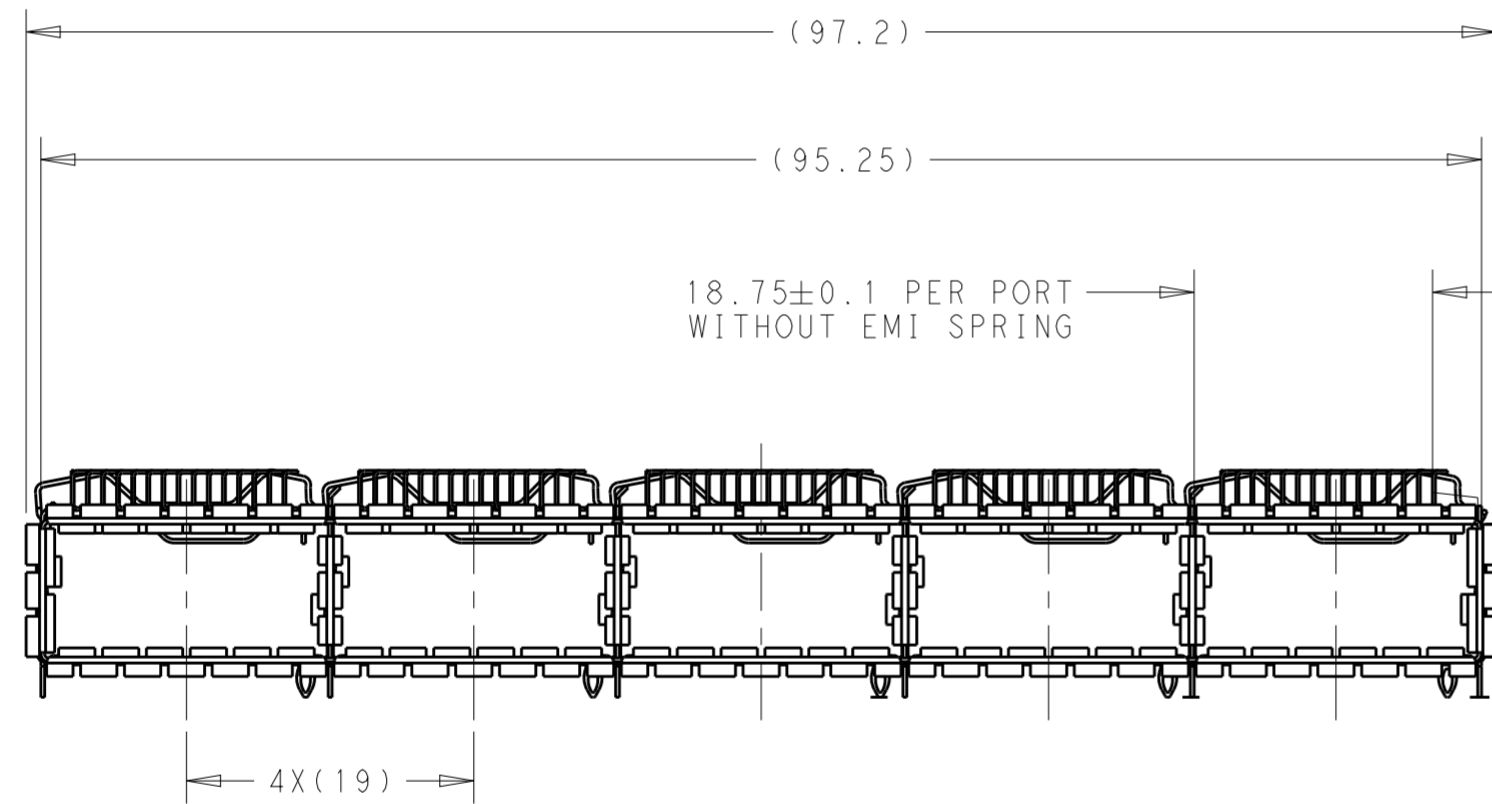


2343987-1 AS SHOWN

- 1 CAGE ASSEMBLY: STAINLESS STEEL.
HEAT SINK: ALUMINUM/NICKEL PLATE.
HEAT SINK CLIP: STAINLESS STEEL.
EMI SPRING: COPPER ALLOY/NICKEL PLATE.
- 2 REFERENCE APPLICATION SPECIFICATION 114-32023 FOR RECOMMENDED DRILL HOLE DIAMETER AND PLATING THICKNESS. BOARD LAYOUT PER THIS PRINT.
- 3 DATUM AND BASIC DIMENSION ESTABLISHED BY CUSTOMER.
- 4 DATE CODE (YYWW) MARKED APPROXIMATELY AS SHOWN.
- 5. MATES WITH QSFP DD MSA COMPATIBLE TRANSCEIVER.
- 6. MINIMUM PC BOARD THICKNESS: SINGLE SIDED: 1.45 MIN
DOUBLE SIDED: 2.20 MIN
- 7 ONLY FOR VERSION WITH REAR EONS
- 8 PROPOSAL ONLY



DETAIL A
SCALE 8:1



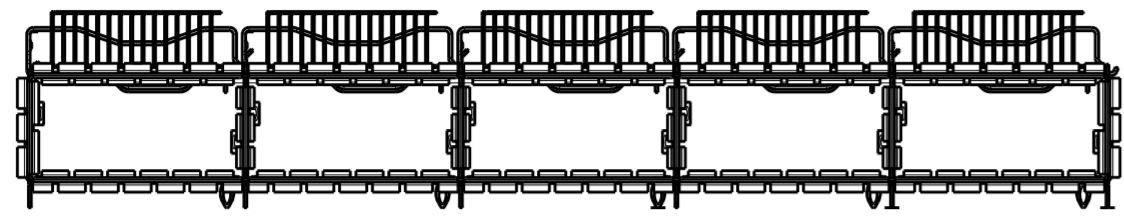
SCALE 2:1

8	W/ REAR EONS	19.75	CUSTOMIZED	2343987-7
8	W/O REAR EONS	23	NET	1-2343987-3
8	W/O REAR EONS	16	SAN	1-2343987-2
8	W/O REAR EONS	13.7	PCI	1-2343987-1
	W/ REAR EONS	23	NET	2343987-3
	W/ REAR EONS	16	SAN	2343987-2
	W/ REAR EONS	13.7	PCI	2343987-1
	REMARK	DIM A	HEATSINK	PART NUMBER

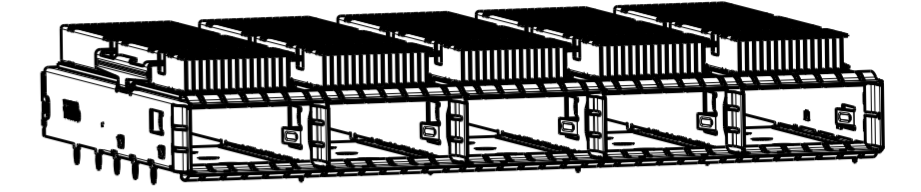
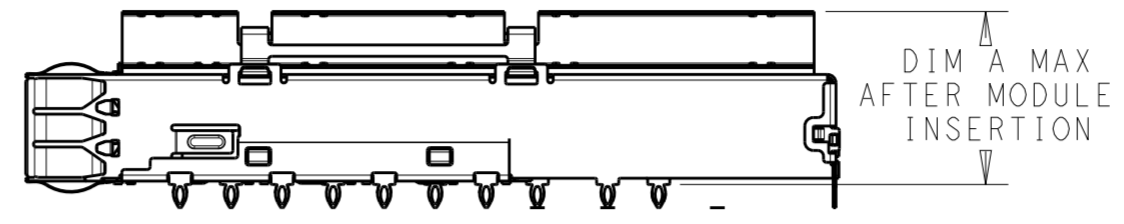
THIS DRAWING IS A CONTROLLED DOCUMENT.		DWN J. WANG 13SEP2018	TE Connectivity		
DIMENSIONS: mm		CHK S. HAN 13SEP2018			
TOLERANCES UNLESS OTHERWISE SPECIFIED:		APVD S. HAN 13SEP2018			
0 PLC ±0.25 1 PLC ±0.25 2 PLC ±0.25 3 PLC ± 4 PLC ± ANGLES ± FINISH ±		PRODUCT SPEC -	NAME CAGE ASSEMBLY WITH HEATSINK THRU BEZEL, 1X5, QSFPDD		
MATERIAL -1		APPLICATION SPEC -	SIZE A2	CAGE CODE -	DRAWING NO C-2343987
		WEIGHT -	RESTRICTED TO -		
		CUSTOMER DRAWING	SCALE 2:1	SHEET 1 OF 7	REV A2

THIS DRAWING IS UNPUBLISHED. RELEASED FOR PUBLICATION 20
 © COPYRIGHT 20 BY - ALL RIGHTS RESERVED.

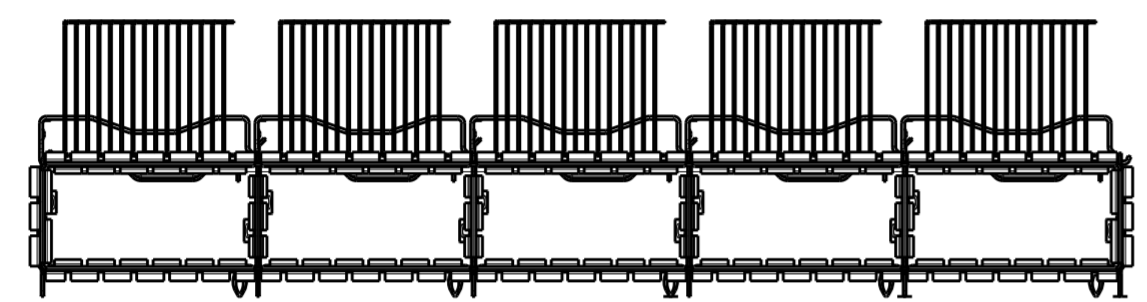
REVISIONS					
P	LTR	DESCRIPTION	DATE	DWN	APVD
-		SEE SHEET 1	-	-	-



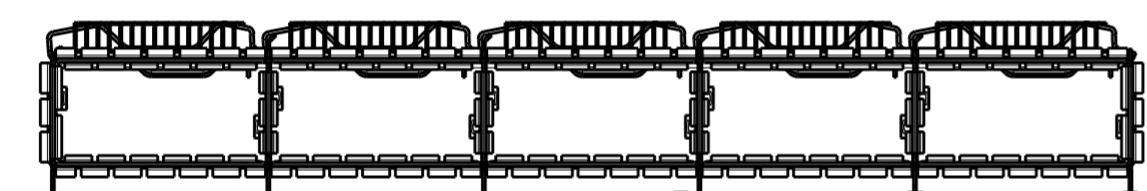
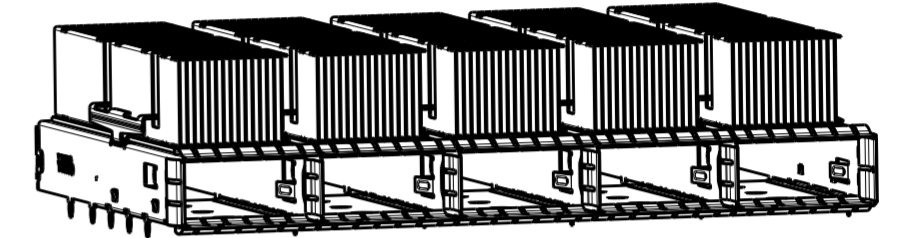
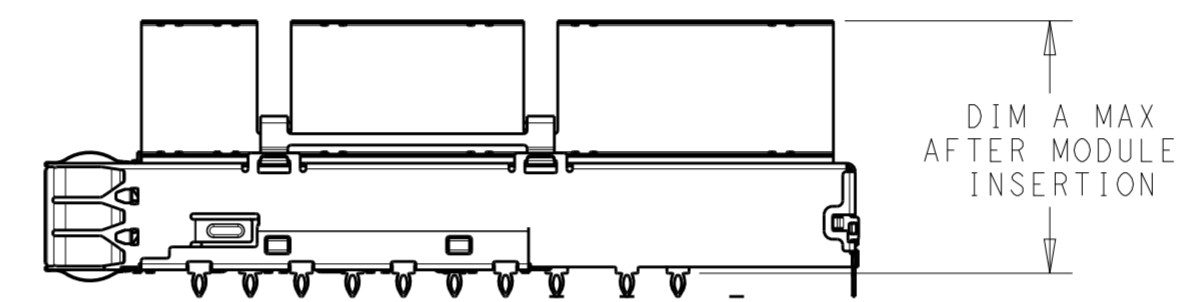
2343987-2
 UNMARKED DIMENSIONS SAME AS 2343987-1
 SCALE 3:2



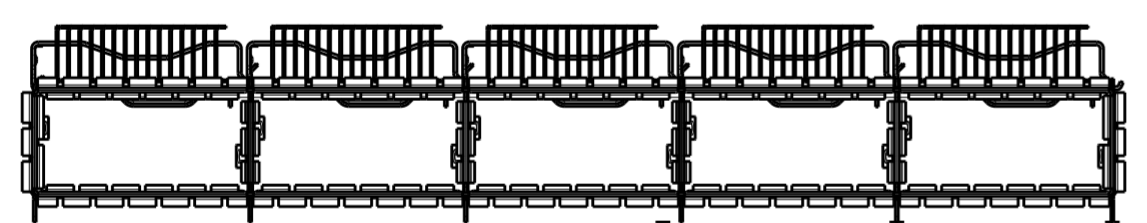
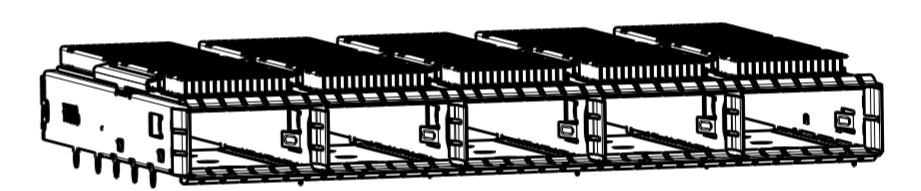
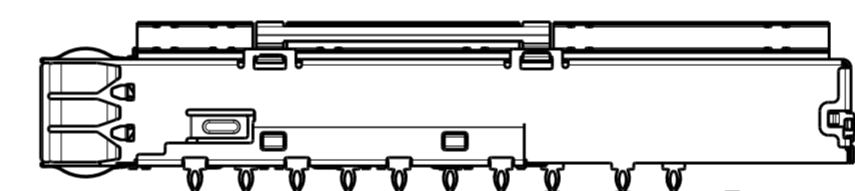
SCALE 1:1



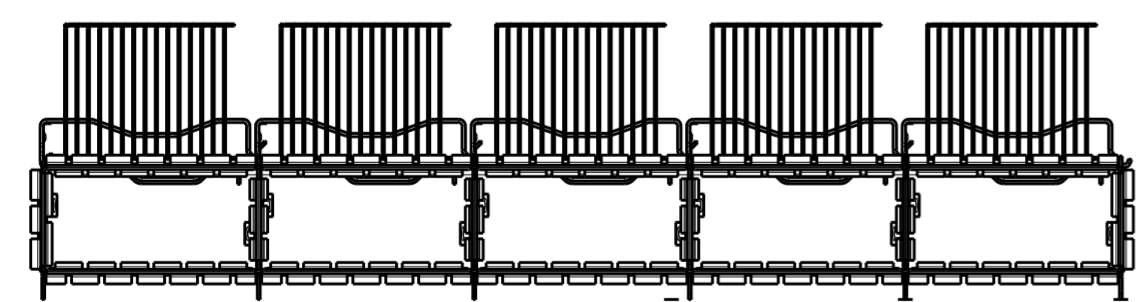
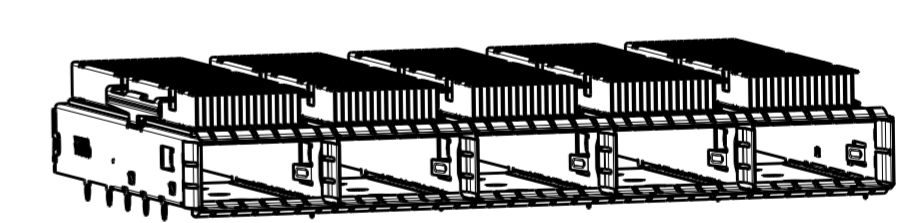
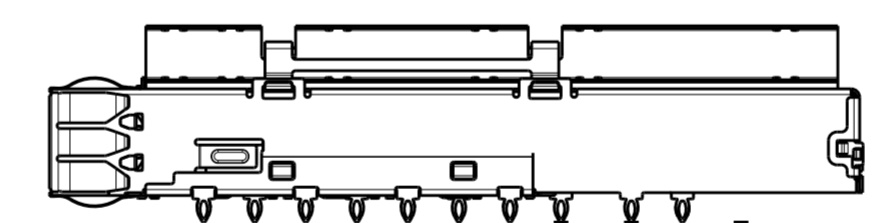
2343987-3
 UNMARKED DIMENSIONS SAME AS 2343987-1
 SCALE 3:2



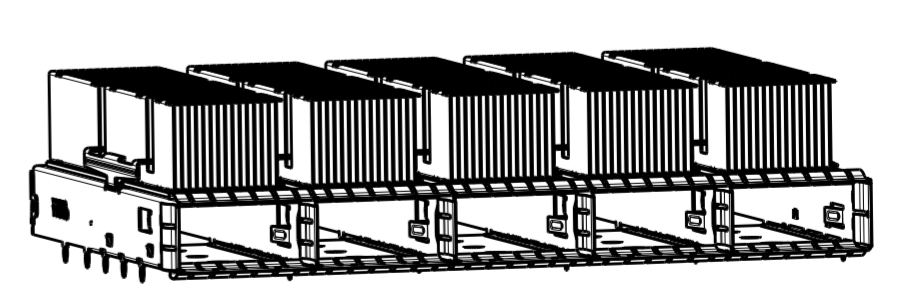
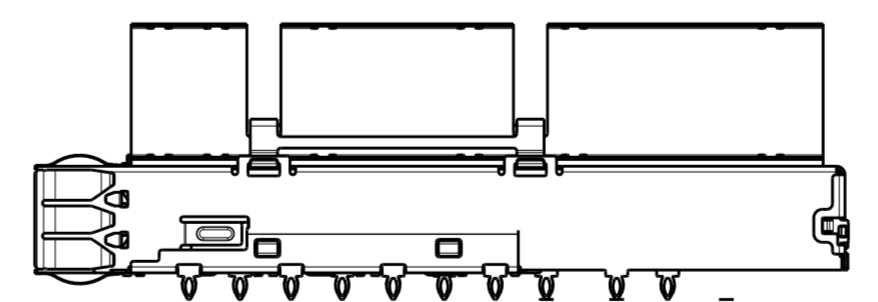
1-2343987-1 W/O REAR EONS
 DIMENSIONS SAME AS 2343987-1
 SCALE 3:2



1-2343987-2 W/O REAR EONS
 DIMENSIONS SAME AS 2343987-2
 SCALE 3:2



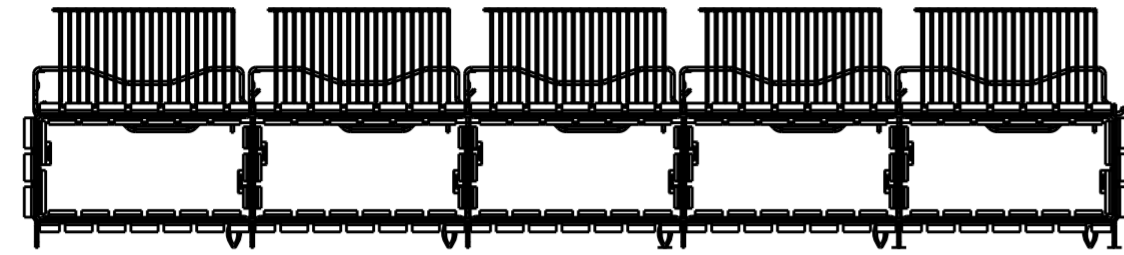
1-2343987-3 W/O REAR EONS
 DIMENSIONS SAME AS 2343987-3
 SCALE 3:2



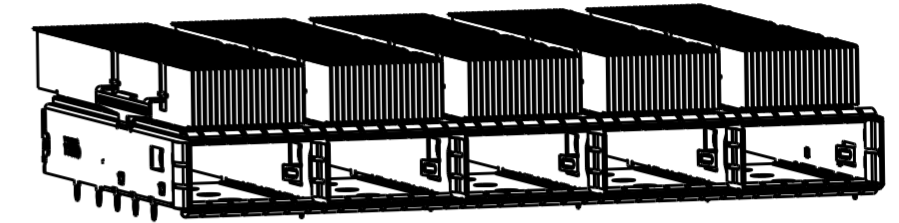
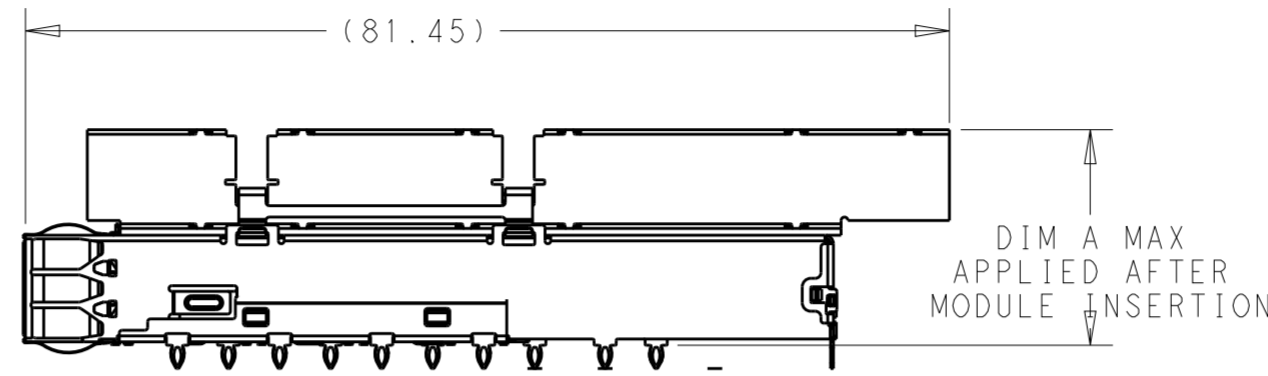
THIS DRAWING IS A CONTROLLED DOCUMENT.		DWN J. WANG 13SEP2018	TE Connectivity	
DIMENSIONS:		CHK S. HAN 13SEP2018		
mm	TOLERANCES UNLESS OTHERWISE SPECIFIED:	APVD S. HAN 13SEP2018	NAME CAGE ASSEMBLY WITH HEATSINK THRU BEZEL, 1X5, QSFPDD	
	0 PLC ±0.25 1 PLC ±0.25 2 PLC ±0.25 3 PLC ± 4 PLC ± ANGLES ± FINISH	PRODUCT SPEC -	SIZE A2	CAGE CODE -
MATERIAL -	-	APPLICATION SPEC -	DRAWING NO G-2343987	RESTRICTED TO -
-	-	WEIGHT -	SCALE 2:1	SHEET 2 OF 7
CUSTOMER DRAWING			REV A2	


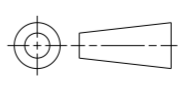
THIS DRAWING IS UNPUBLISHED. RELEASED FOR PUBLICATION 20
 © COPYRIGHT 20 BY - ALL RIGHTS RESERVED.

REVISIONS				
P	LTR	DESCRIPTION	DATE	APVD
-		SEE SHEET 1	-	-



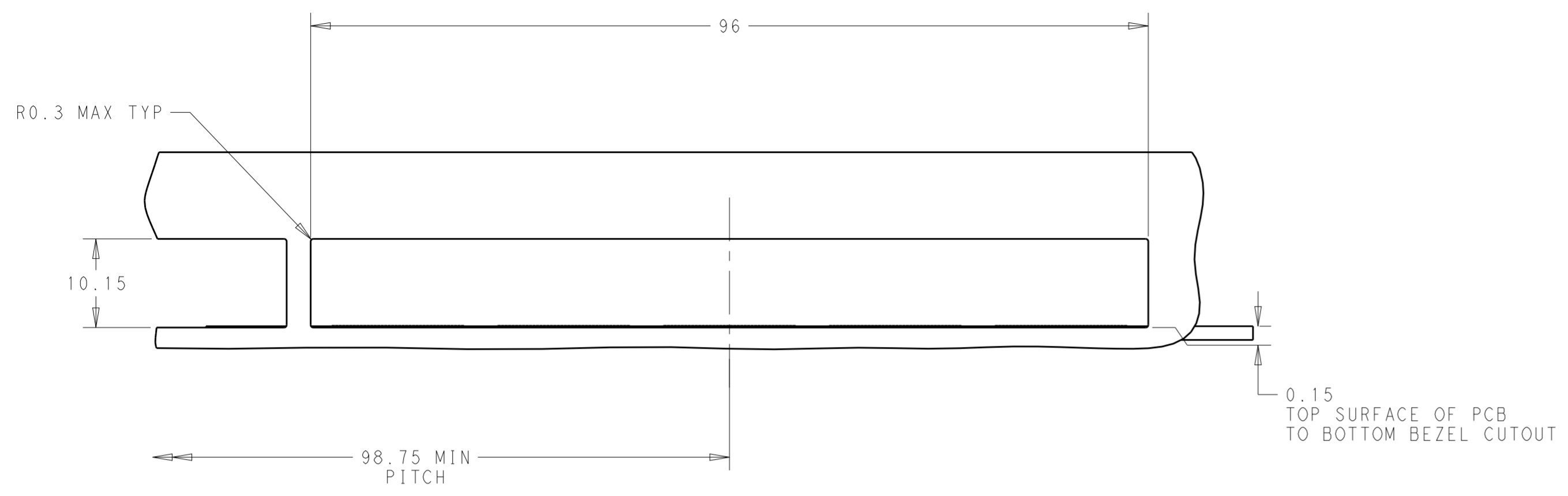
2343987-7 AS SHOWN
 SAME AS -3 EXCEPT HS
 SCALE 3:2



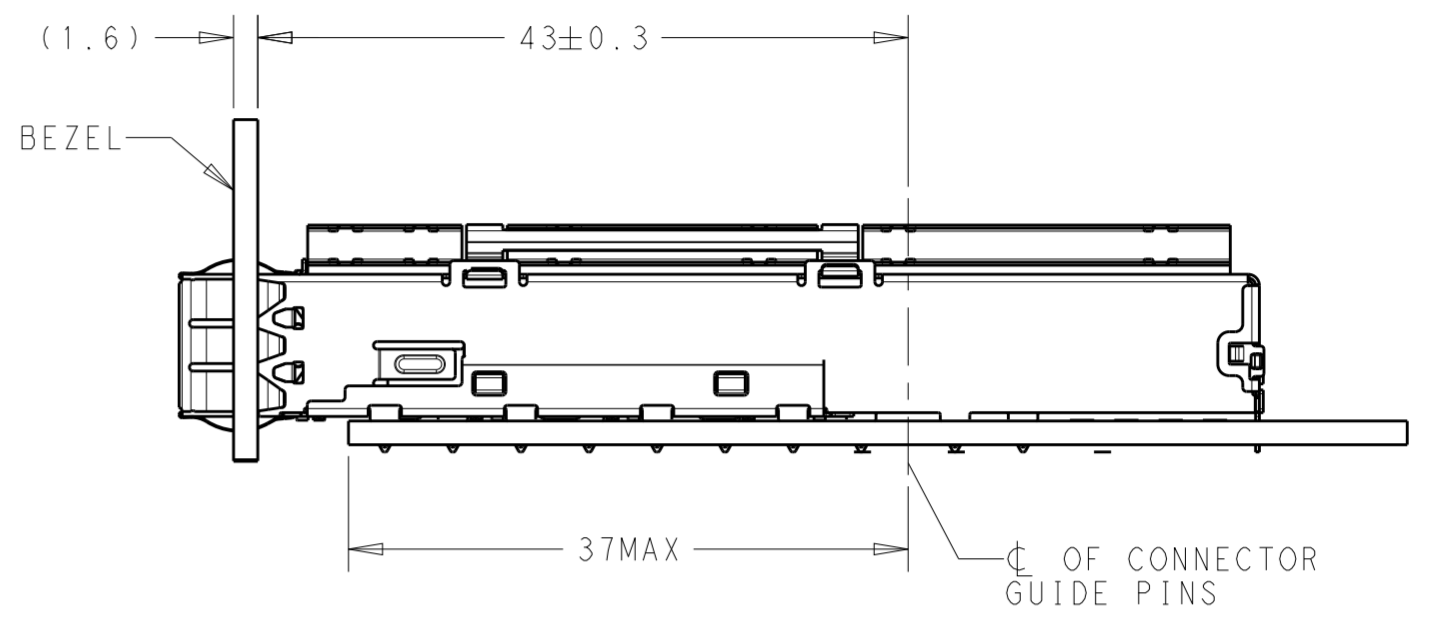
THIS DRAWING IS A CONTROLLED DOCUMENT.		DWN J. WANG 13SEP2018	 TE Connectivity		
DIMENSIONS: mm 		CHK S. HAN 13SEP2018			
TOLERANCES UNLESS OTHERWISE SPECIFIED: 0 PLC ±0.25 1 PLC ±0.25 2 PLC ±0.25 3 PLC ± 4 PLC ± ANGLES ± FINISH ±		APVD S. HAN 13SEP2018	NAME CAGE ASSEMBLY WITH HEATSINK THRU BEZEL, 1X5, QSPDD		
MATERIAL - -		PRODUCT SPEC - APPLICATION SPEC - WEIGHT -	SIZE A2	CAGE CODE -	DRAWING NO. C-2343987
		CUSTOMER DRAWING	SCALE 2:1	SHEET 3 OF 7	REV A2

THIS DRAWING IS UNPUBLISHED. RELEASED FOR PUBLICATION 20
 © COPYRIGHT 20 BY - ALL RIGHTS RESERVED.

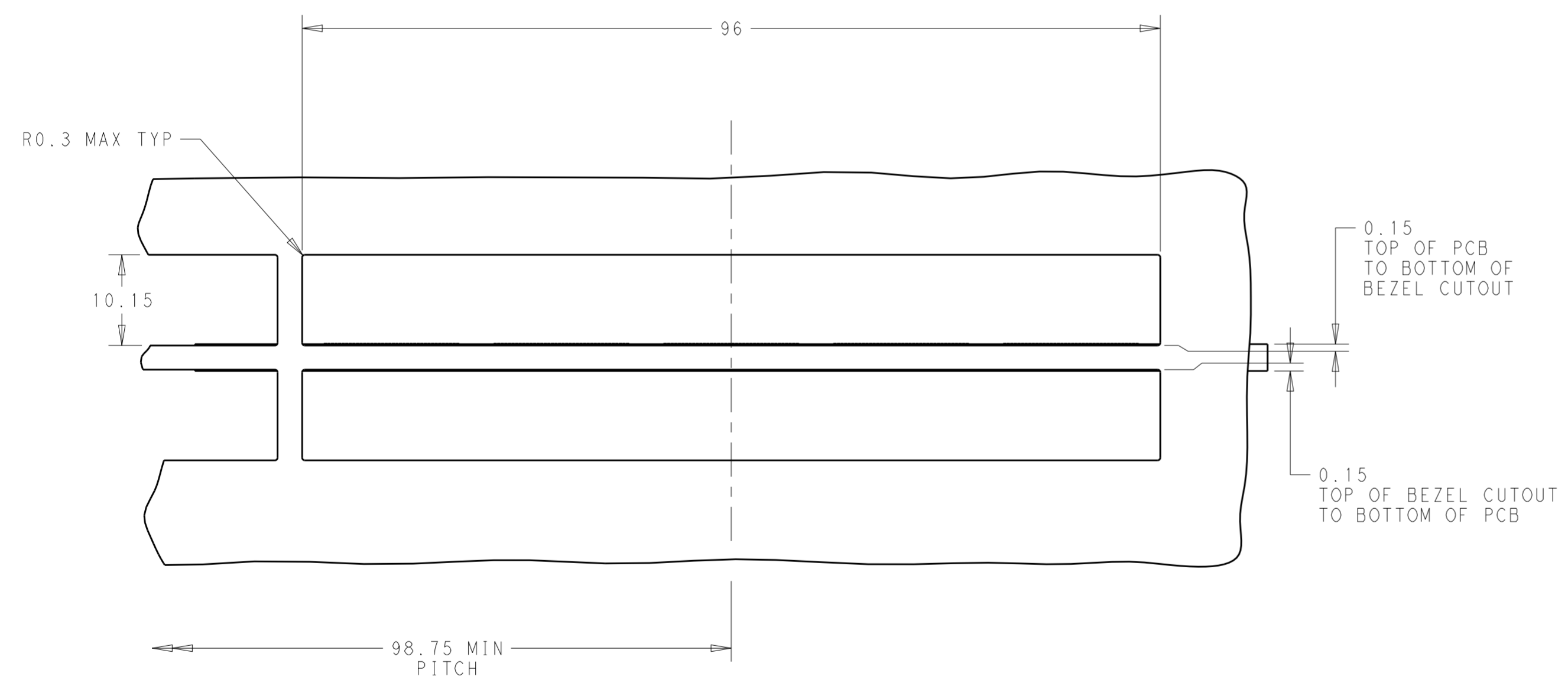
REVISIONS				
P	LTR	DESCRIPTION	DATE	APVD
-	-	SEE SHEET 1	-	-



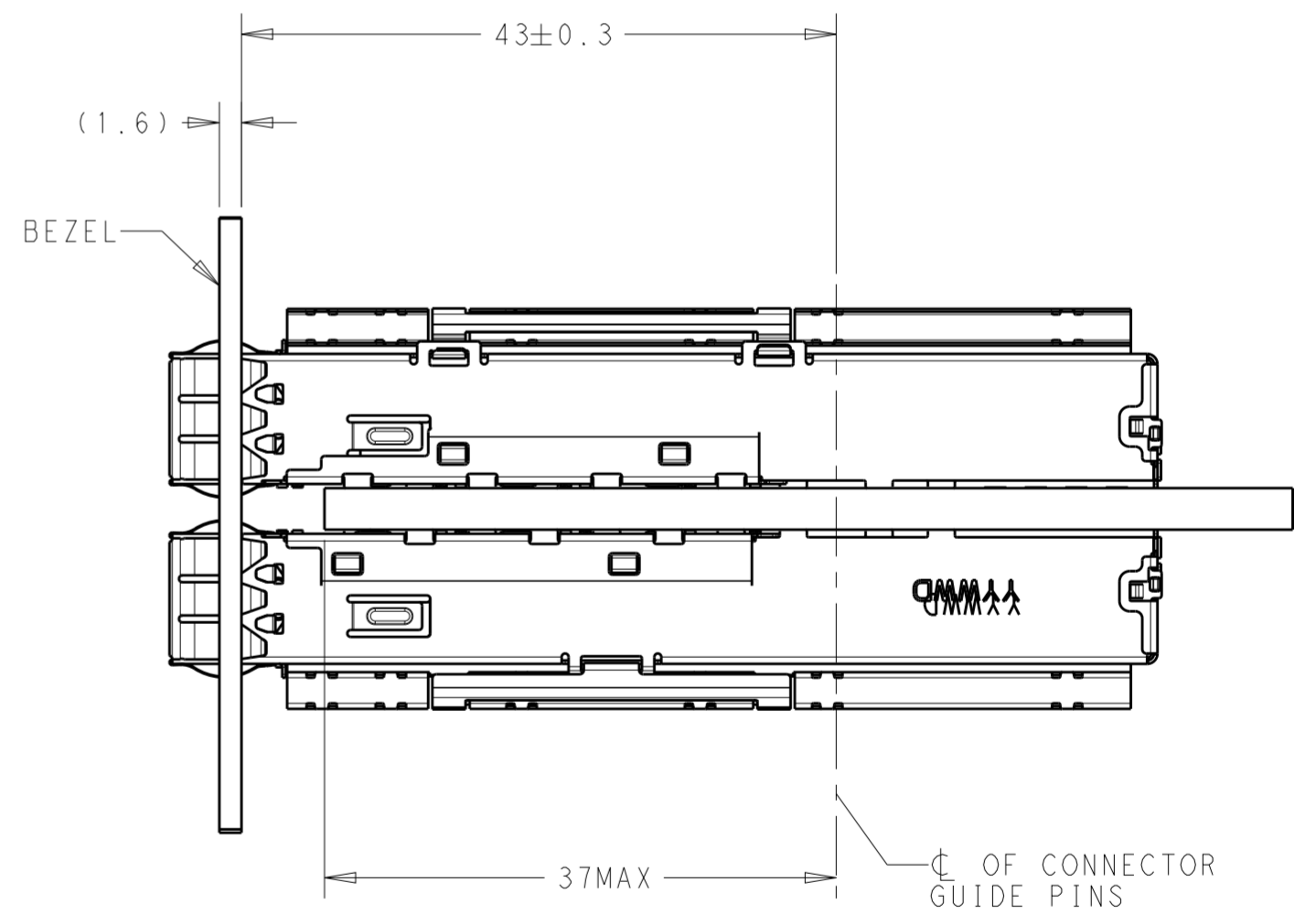
CAGE ASSEMBLY OMITTED FOR CLARITY



SINGLE SIDE MOUNTING



CAGE ASSEMBLY OMITTED FOR CLARITY

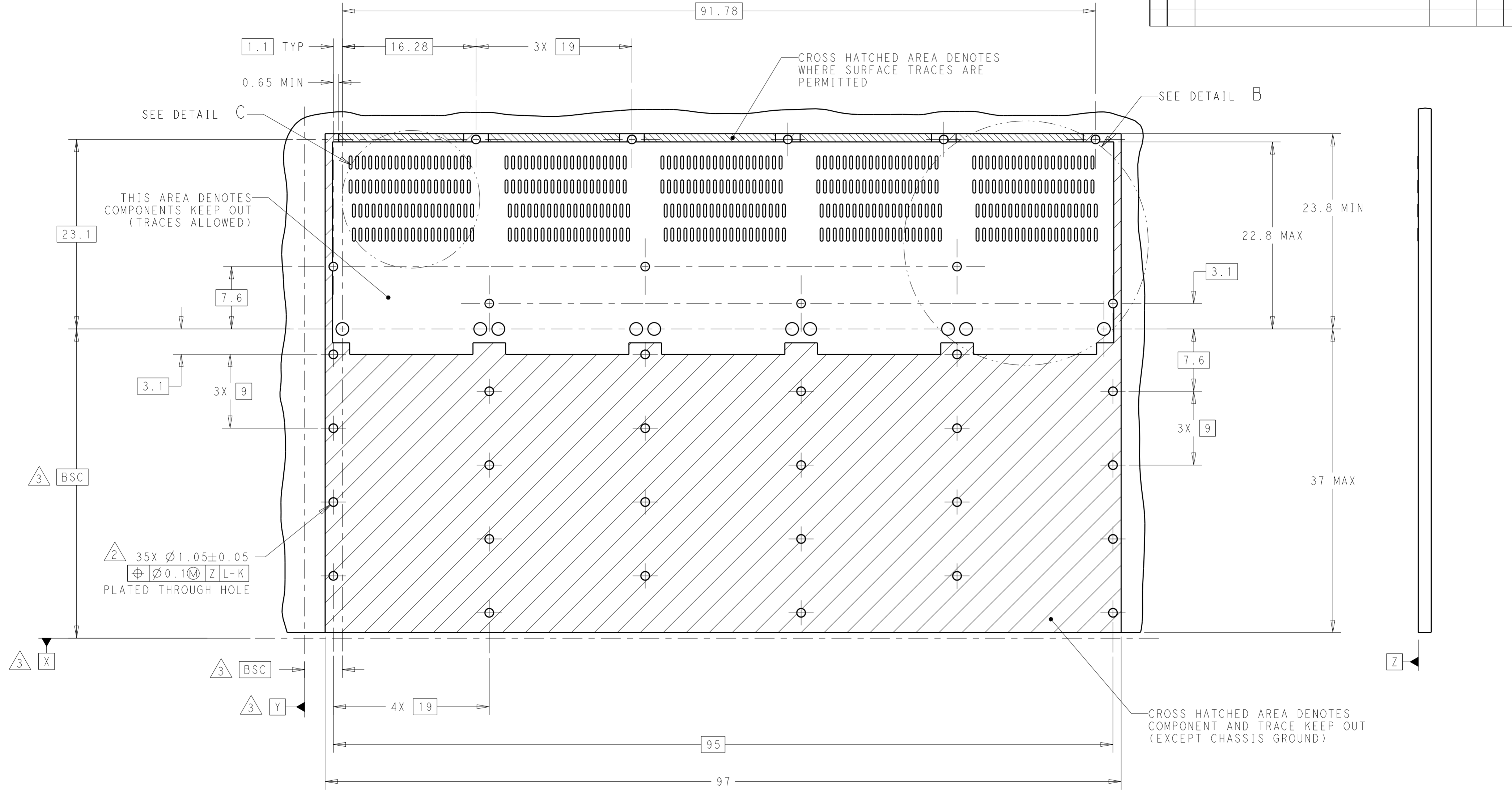


BELLY TO BELLY MOUNTING


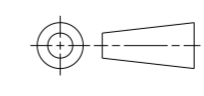
THIS DRAWING IS A CONTROLLED DOCUMENT.		DWN J. WANG 13SEP2018	TE Connectivity	
DIMENSIONS: mm		CHK S. HAN 13SEP2018		
TOLERANCES UNLESS OTHERWISE SPECIFIED:		APVD S. HAN 13SEP2018	NAME CAGE ASSEMBLY WITH HEATSINK THRU BEZEL, 1X5, QSFDD	
0 PLC	±0.25	PRODUCT SPEC	SIZE	A2
1 PLC	±0.25	APPLICATION SPEC	CAGE CODE	-
2 PLC	±0.25	WEIGHT	DRAWING NO	©-2343987
3 PLC	±	CUSTOMER DRAWING	SCALE	2:1
4 PLC	±		SHEET	4 OF 7
ANGLES	±		REV	A2
FINISH	-			

THIS DRAWING IS UNPUBLISHED. RELEASED FOR PUBLICATION 20
 © COPYRIGHT 20 BY - ALL RIGHTS RESERVED.

REVISIONS				
P	LTR	DESCRIPTION	DATE	APVD
-	-	SEE SHEET 1	-	-

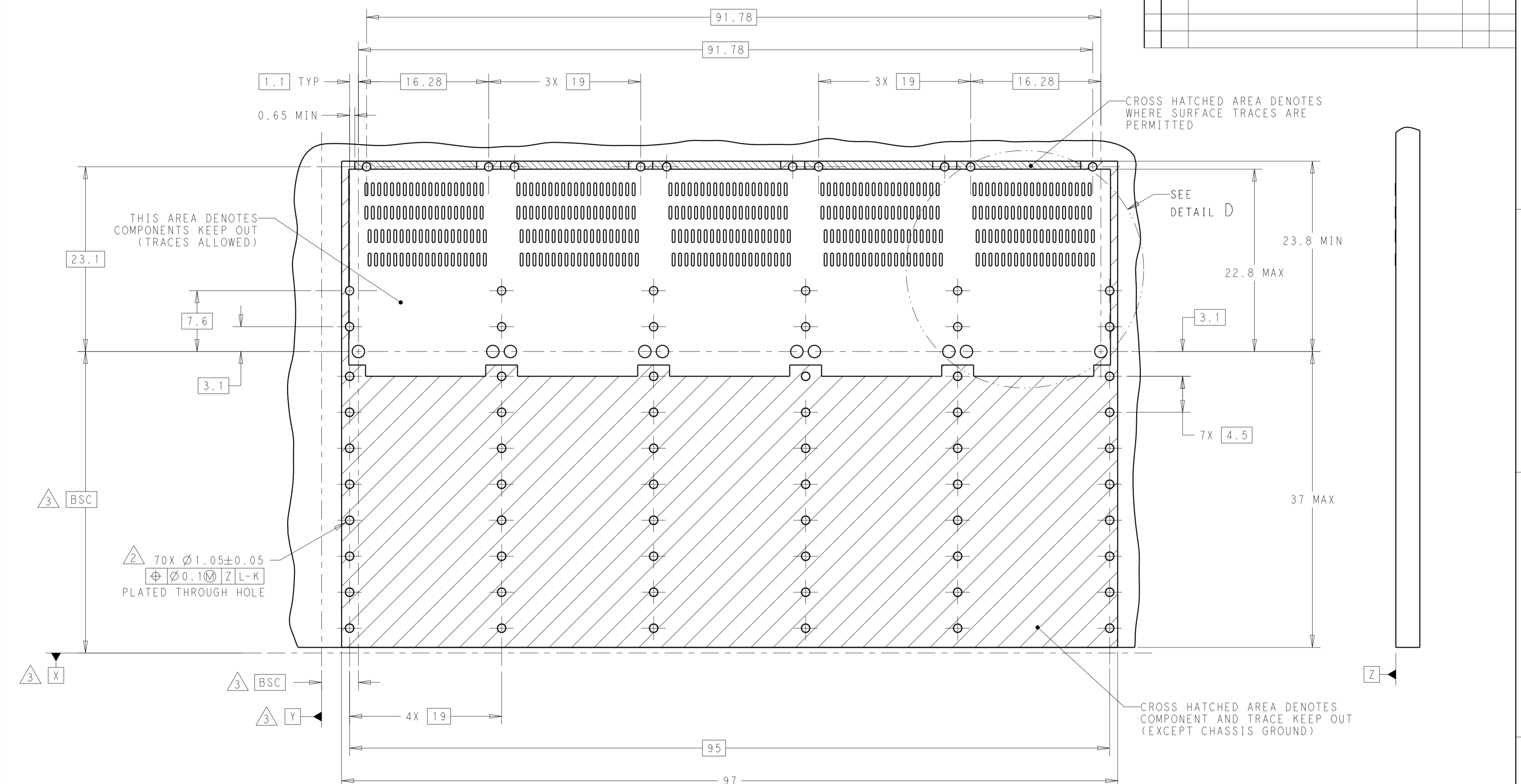


RECOMMENDED PCB LAYOUT
 SINGLE TYPE
 SCALE 3:1


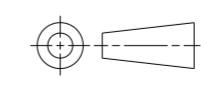
THIS DRAWING IS A CONTROLLED DOCUMENT.		DWN J. WANG 13SEP2018	 TE Connectivity
DIMENSIONS: mm		CHK S. HAN 13SEP2018	
		APVD S. HAN 13SEP2018	
TOLERANCES UNLESS OTHERWISE SPECIFIED:		PRODUCT SPEC	NAME CAGE ASSEMBLY WITH HEATSINK THRU BEZEL, 1X5, QSFDD
0 PLC	±0.25	APPLICATION SPEC	SIZE A2
1 PLC	±0.25	WEIGHT	CAGE CODE -
2 PLC	±0.25	CUSTOMER DRAWING	DRAWING NO. C-2343987
3 PLC	±	SCALE 2:1	RESTRICTED TO -
4 PLC	±	SCALE 2:1	SHEET 5 OF 7
ANGLES	±	SCALE 2:1	REV A2
FINISH	±	SCALE 2:1	REV A2

THIS DRAWING IS UNPUBLISHED. RELEASED FOR PUBLICATION 20
 © COPYRIGHT 20 BY - ALL RIGHTS RESERVED.

REVISIONS					
P	LTR	DESCRIPTION	DATE	DWN	APVD
-	-	SEE SHEET 1	-	-	-

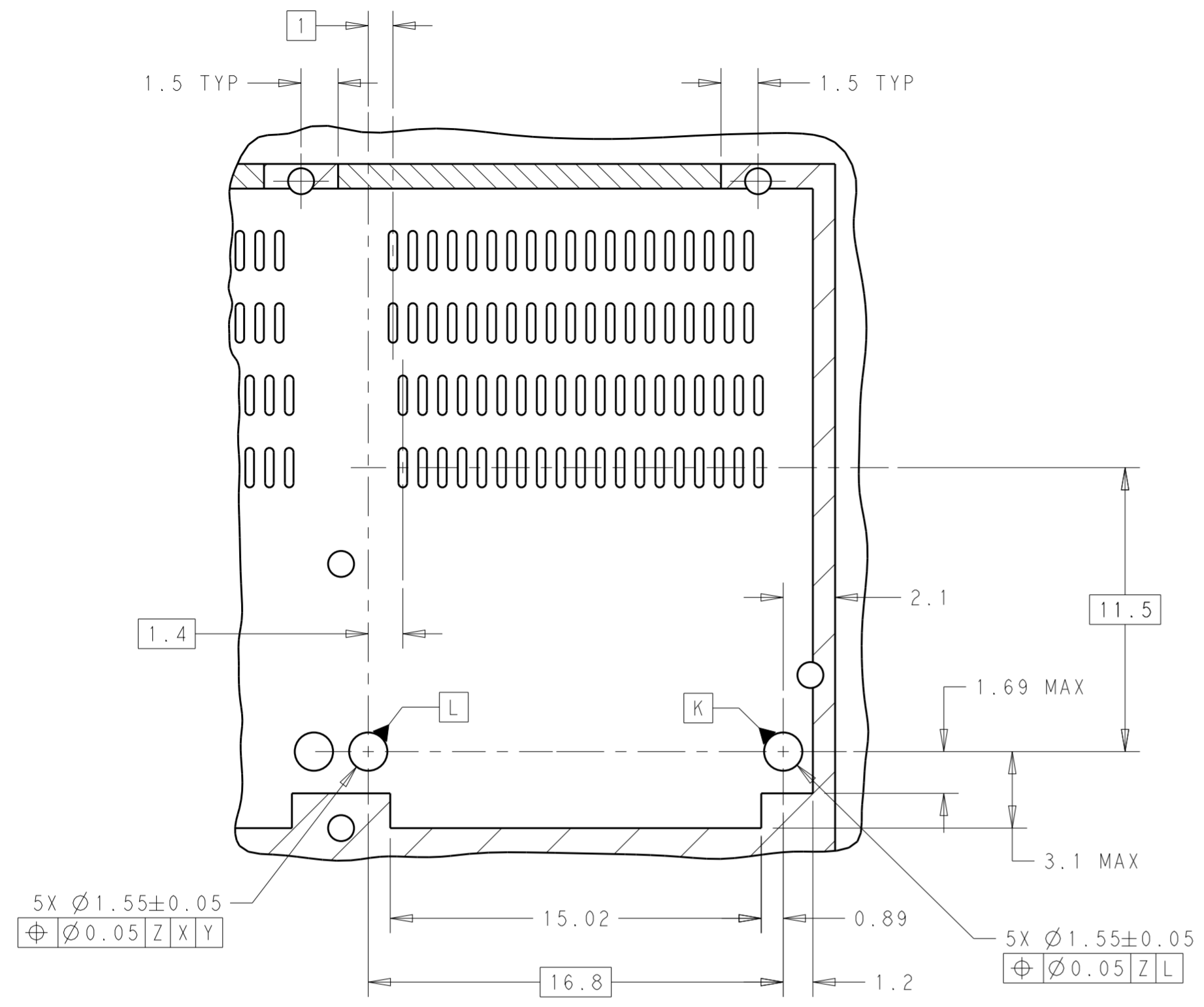


RECOMMENDED PCB LAYOUT
 BELLY TO BELLY
 SCALE 3:1

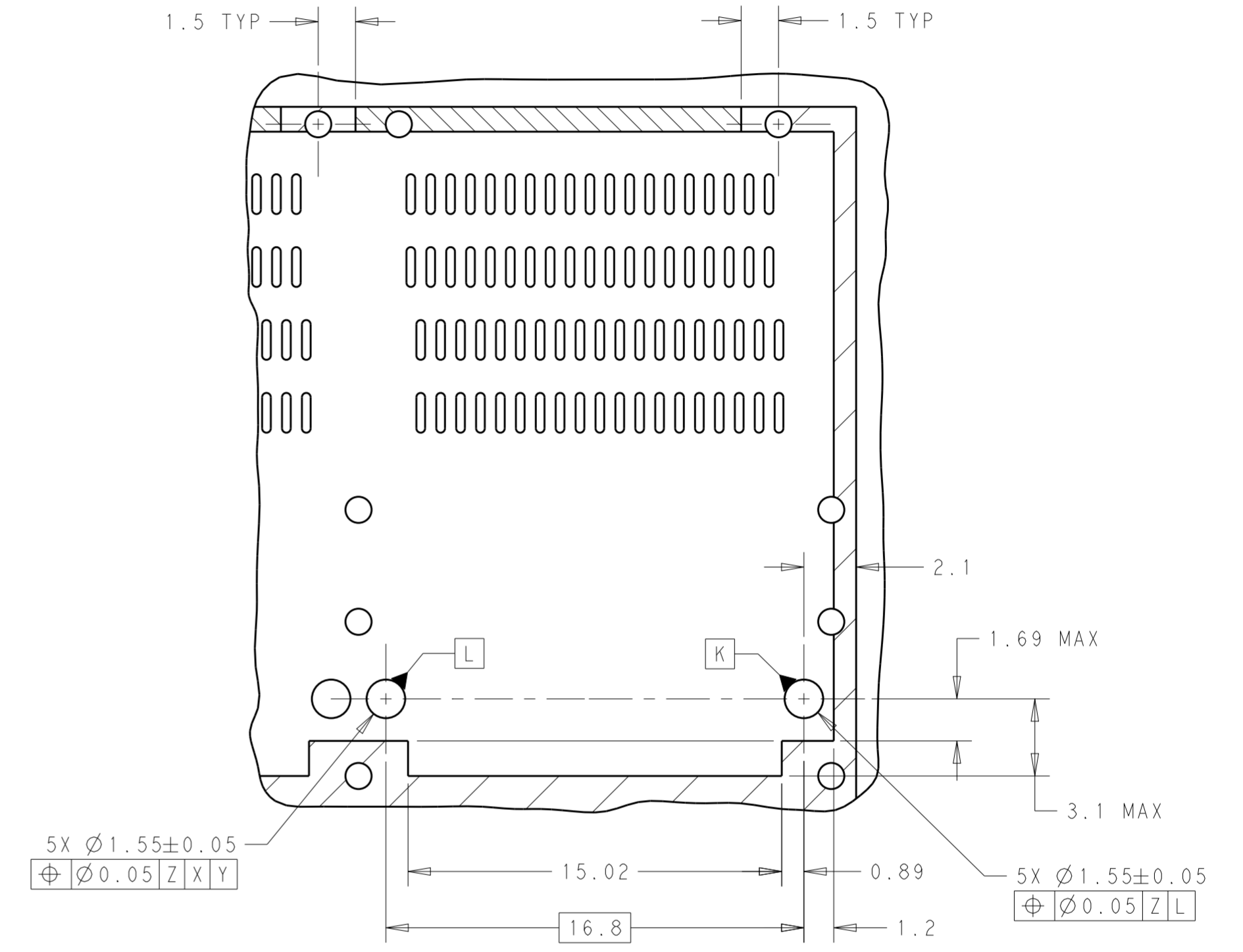
THIS DRAWING IS A CONTROLLED DOCUMENT.		DWN J. WANG 13SEP2018	 TE Connectivity
DIMENSIONS: mm		CHK S. HAN 13SEP2018	
		APVD S. HAN 13SEP2018	
TOLERANCES UNLESS OTHERWISE SPECIFIED: 0 PLC ±0.25 1 PLC ±0.25 2 PLC ±0.25 3 PLC ± 4 PLC ± ANGLES ± FINISH ±		PRODUCT SPEC - APPLICATION SPEC - WEIGHT -	
MATERIAL -		NAME CAGE ASSEMBLY WITH HEATSINK THRU BEZEL, 1X5, QSFDD SIZE A2 CAGE CODE - DRAWING NO C-2343987 RESTRICTED TO -	
CUSTOMER DRAWING		SCALE 2:1 SHEET 6 OF 7 REV A2	

THIS DRAWING IS UNPUBLISHED. RELEASED FOR PUBLICATION 20
 © COPYRIGHT 20 BY - ALL RIGHTS RESERVED.

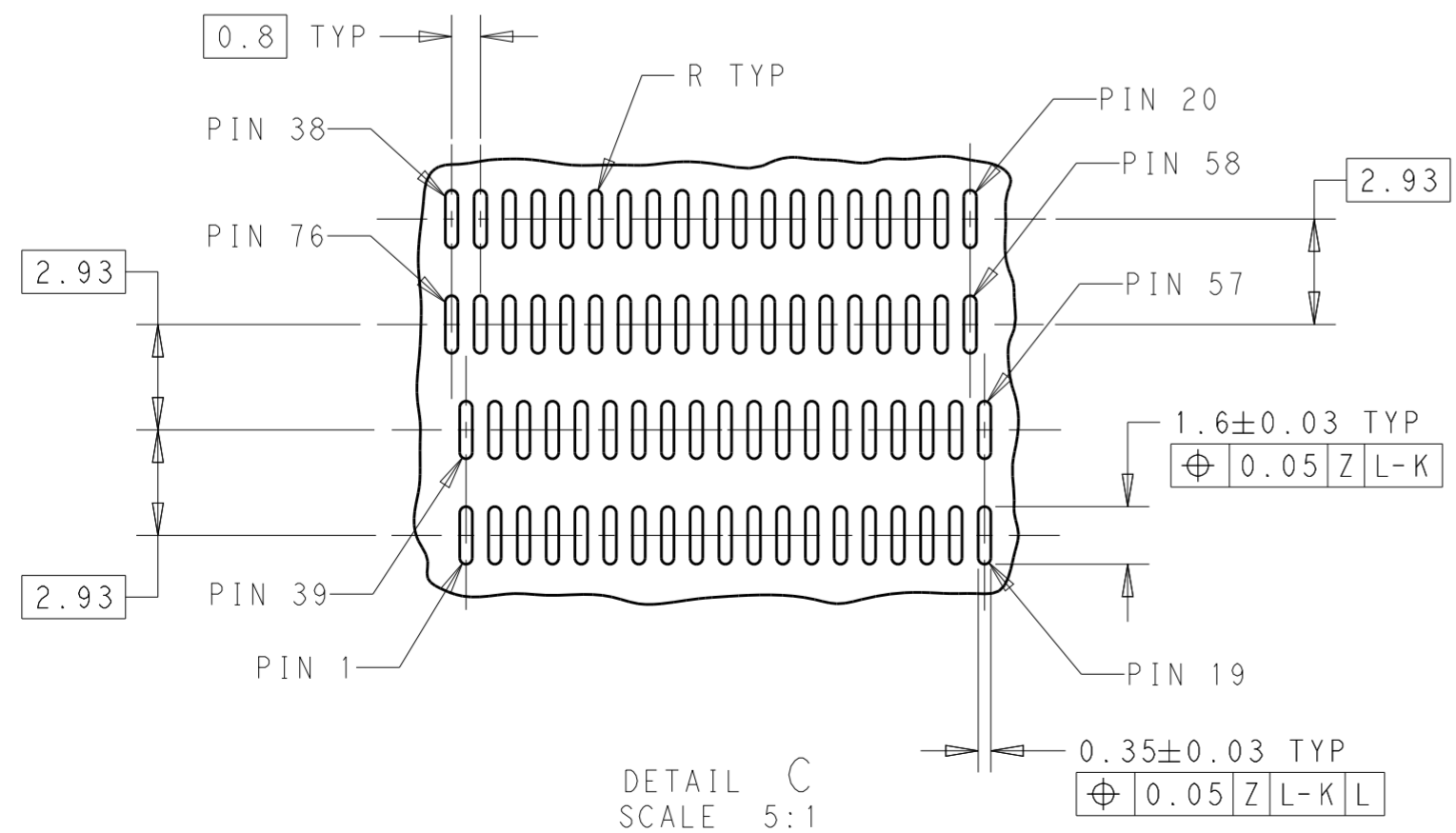
REVISIONS				
P	LTR	DESCRIPTION	DATE	APVD
-	-	SEE SHEET 1	-	-




DETAIL B
SCALE 5:1



DETAIL D
SCALE 5:1



DETAIL C
SCALE 5:1

THIS DRAWING IS A CONTROLLED DOCUMENT.		DWN J. WANG 13SEP2018	 TE Connectivity
DIMENSIONS: mm		CHK S. HAN 13SEP2018	
TOLERANCES UNLESS OTHERWISE SPECIFIED:		APVD S. HAN 13SEP2018	
0 PLC ±0.25 1 PLC ±0.25 2 PLC ±0.25 3 PLC ± 4 PLC ± ANGLES ± FINISH ±		PRODUCT SPEC - APPLICATION SPEC - WEIGHT -	
MATERIAL -		NAME CAGE ASSEMBLY WITH HEATSINK THRU BEZEL, 1X5, QSPFDD SIZE A2 CAGE CODE - DRAWING NO C-2343987 RESTRICTED TO -	
CUSTOMER DRAWING		SCALE 2:1	SHEET 7 OF 7 REV A2