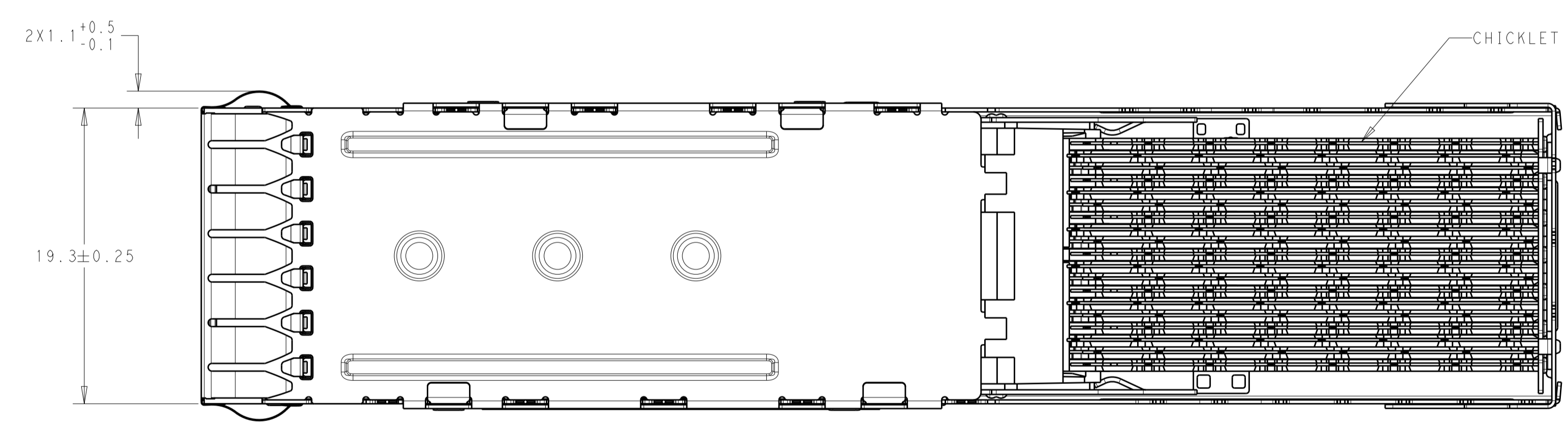
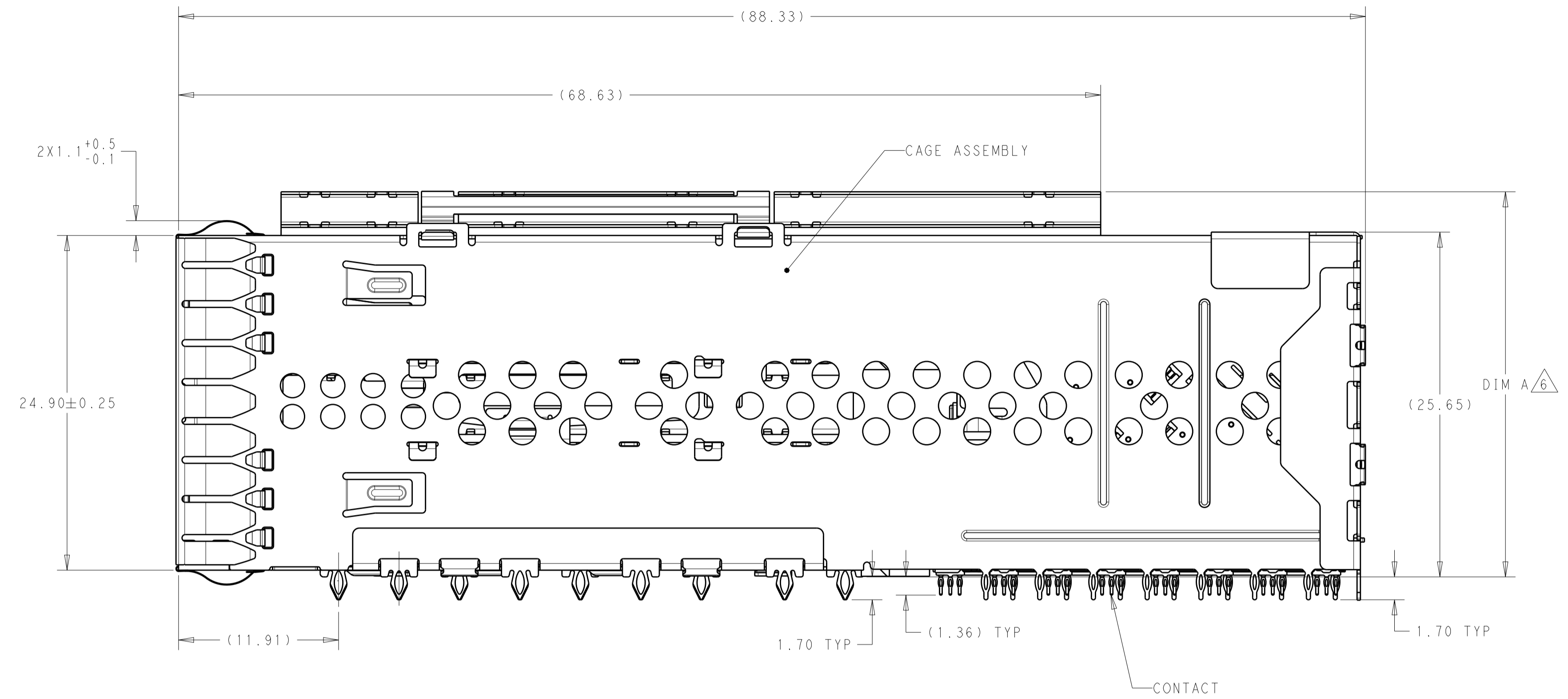
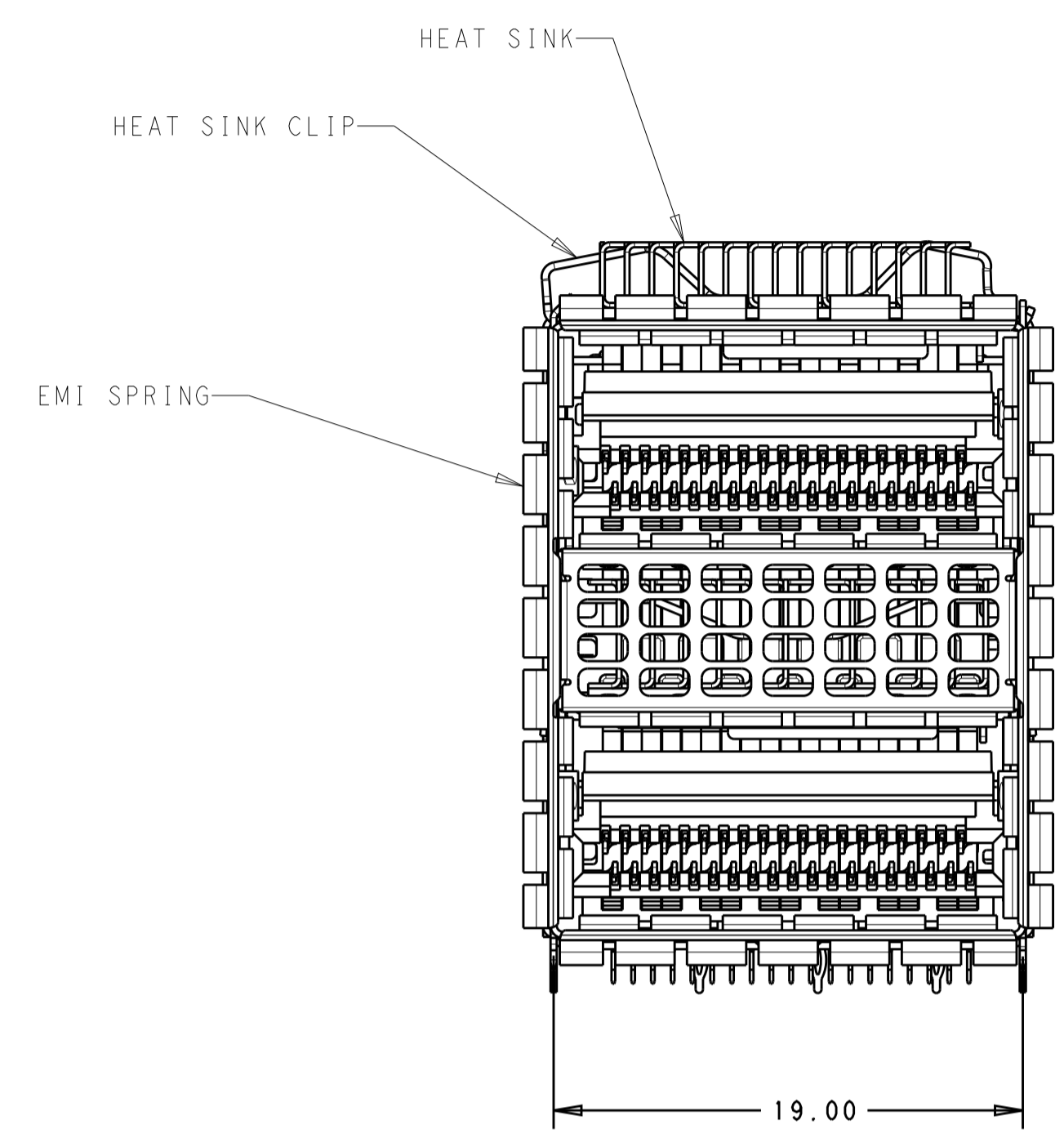


REVISIONS				
P.	LTM	DESCRIPTION	DATE	APVD
A		PRODUCTION RELEASE	12DEC2020	VL SZH
A1		ADD 5-2343246-1 PN	19DEC2020	VL SZH
A2		CORRECT TYPO	19DEC2020	VL SZH



△ CAGE ASSEMBLY: STAINLESS STEEL.  
 HEAT SINK: ALUMINUM/NICKEL PLATING.  
 HEAT SINK CLIP: STAINLESS STEEL.  
 EMI SPRING: COPPER ALLOY/NICKEL PLATING.  
 HOUSING- POLYESTER LCP WITH 94 V-0  
 CHICKLET- POLYESTER LCP WITH 94 V-0  
 CONTACT- COPPER ALLOY.

△ CONTACT FINISH: 0.76µm GOLD ON MATING END, 0.5-2µm  
 MATT TIN ON COMPLIANT AREA, ALL OVER 1.27µm NICKEL.

△ DATUM AND BASIC DIMENSION ESTABLISHED BY CUSTOMER.

- 4. MATES WITH QSFP DD MSA COMPATIBLE TRANSCEIVER.
- 5. MINIMUM PC BOARD THICKNESS: SINGLE SIDED: 1.57 MIN  
DOUBLE SIDED: 3.00 MIN

- △ DIMENSION APPLIES WITH MODULE INSERTED INTO CAGE.
- △ THE ENTIRE AREA OF THE CONNECTOR FOOTPRINT, INDICATED BY THE DASHED LINE, TO BE CONSIDERED THE KEEPOUT AREA FOR COMPONENTS.
- △ CROSS-HATCHED AREAS REPRESENT ZONES ON THE PCB THAT BE IN CLOSE PROXIMITY TO THE CAGE. INDICATED AREAS TO BE CONSIDERED TRACE FREE.

SHEET	DESCRIPTION	PART NUMBER
SHEET 2	WITHOUT UPPER HS	5-2343246-1
SHEET 1	WITH UPPER HS	2343246-3
SHEET 1	WITH UPPER HS	2343246-2
SHEET 1	WITH UPPER HS	2343246-1
DETAIL	CONTACT FINISH	DIM A
DESCRIPTION		PART NUMBER

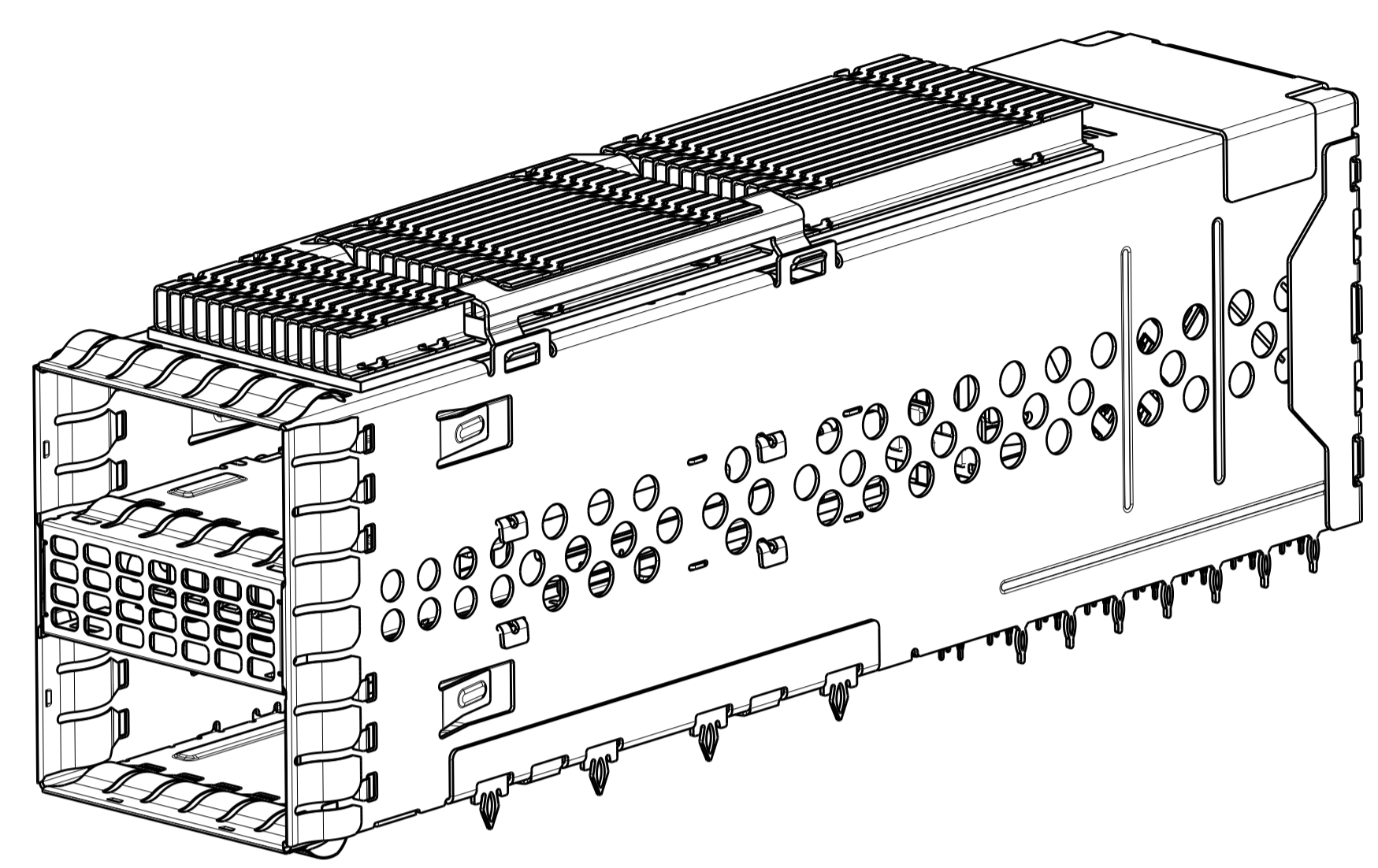
  

THIS DRAWING IS A CONTROLLED DOCUMENT.		DWN: WINDY LIU 31AUG2018 CHK: SEAN HAN 31AUG2018 APVD:
DIMENSIONS: mm 	TOLERANCES UNLESS OTHERWISE SPECIFIED: 0 PLC ±0.25 1 PLC ±0.25 2 PLC ±0.20 3 PLC ±0.10 4 PLC ± ANGLES ± FINISH ±	PRODUCT SPEC: 108-60130 APPLICATION SPEC: 114-60028 WEIGHT:
MATERIAL: TBD	CUSTOMER DRAWING SCALE: 4:1 SHEET 1 OF 6 REV: A2	

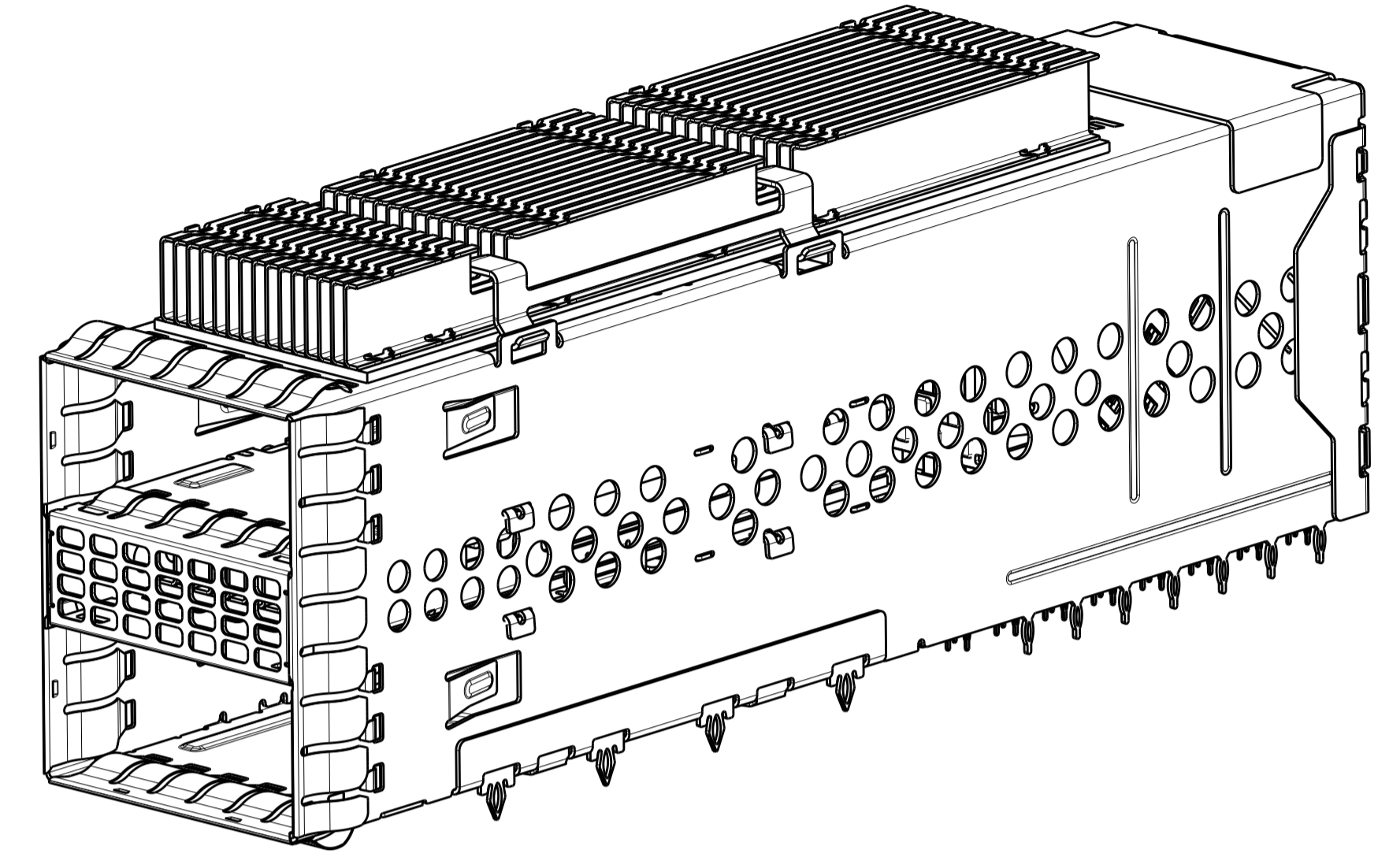
  

NAME: QSFP-DD 2X1 CAGE ASSEMBLY, WITH EMI SPRING, HEAT SINK SIZE: CAGE CODE DRAWING NO: 100779 DRAWING NO: 2343246		RESTRICTED TO:
--	--	----------------

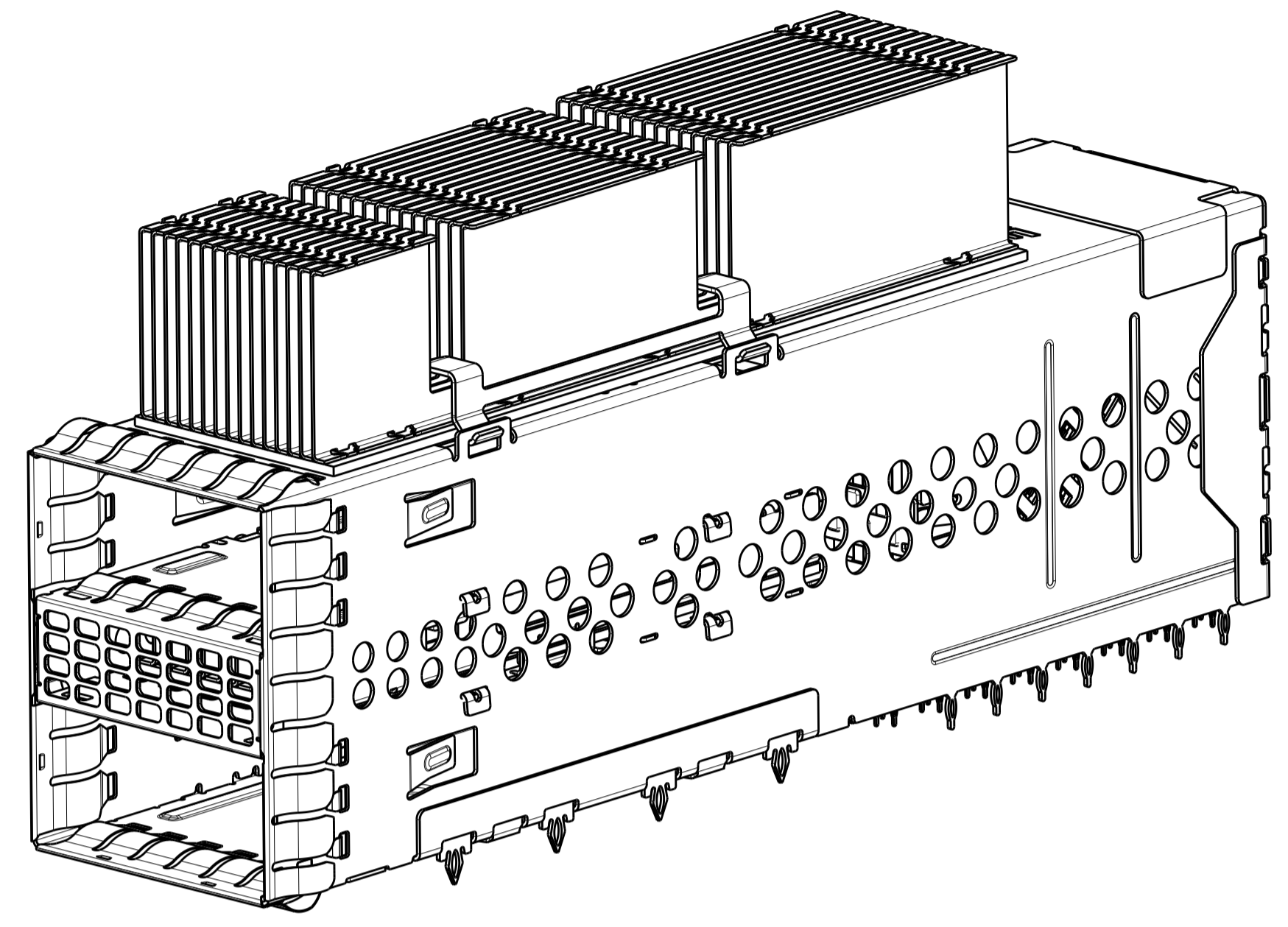
REVISIONS				
P.	LTN.	DESCRIPTION	DATE	APVD.
-	-	SEE SHEET 1	-	-



2343246-1  
SCALE 3:1

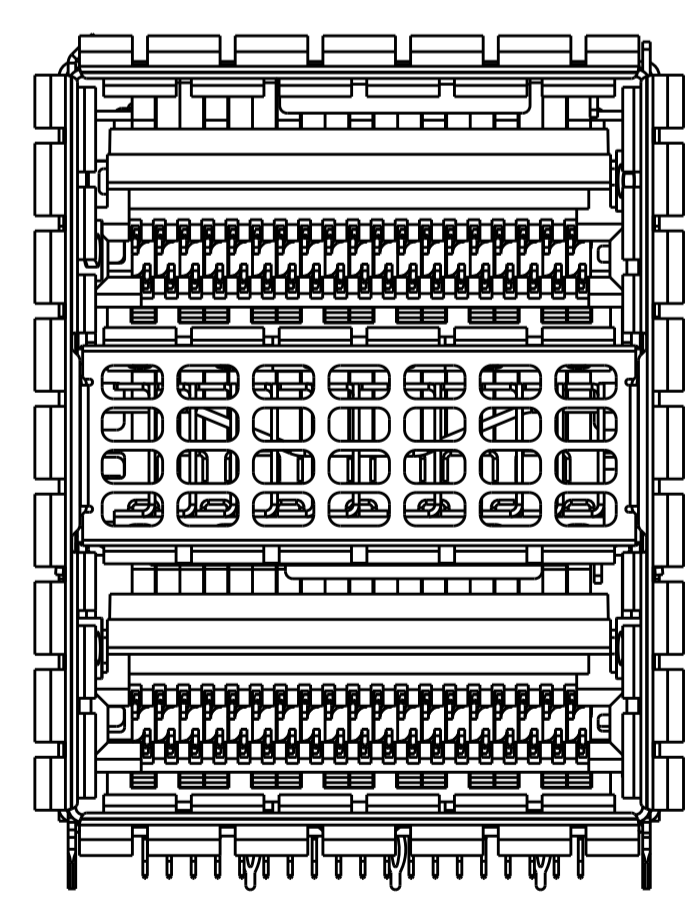


2343246-2  
SCALE 3:1

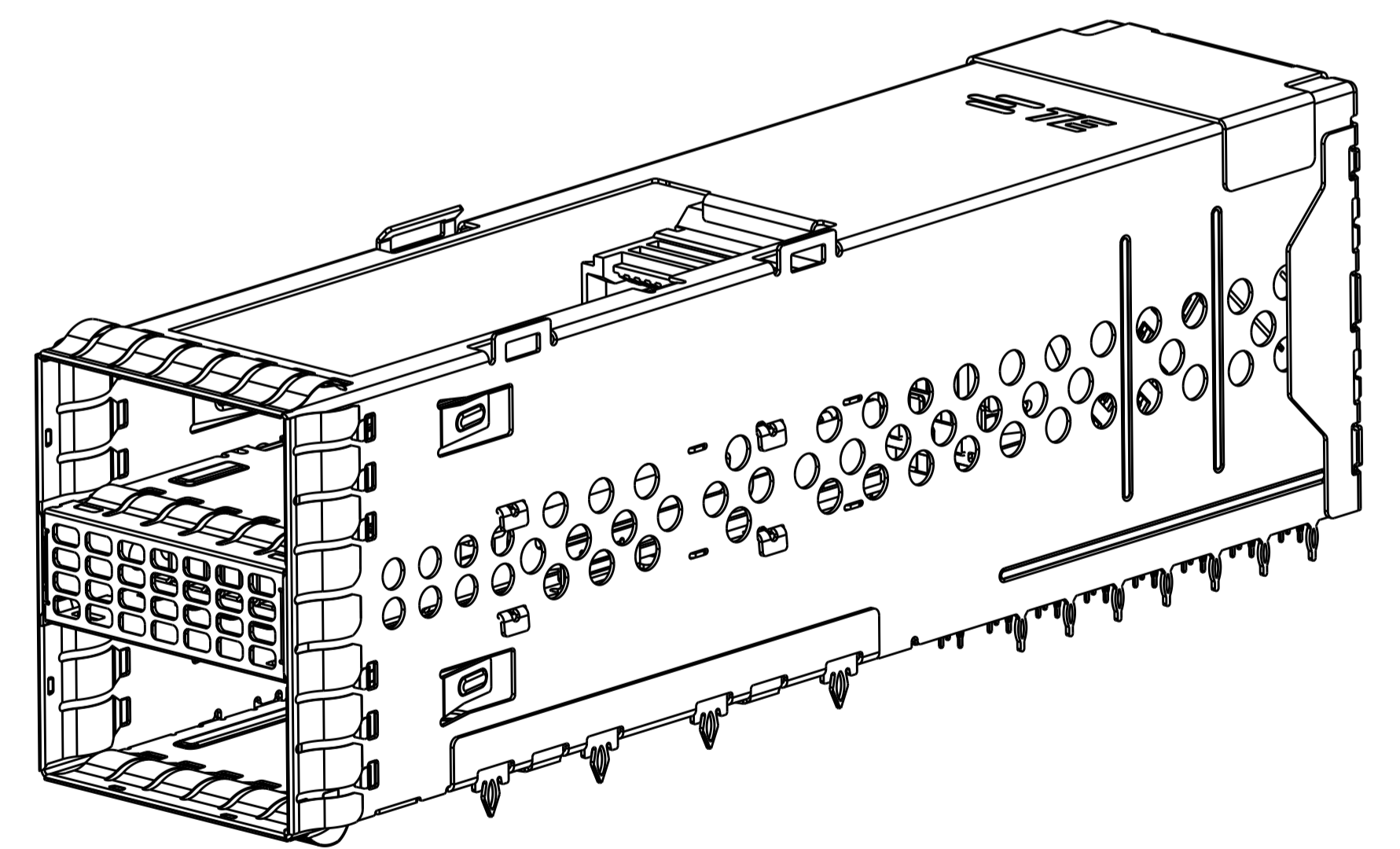
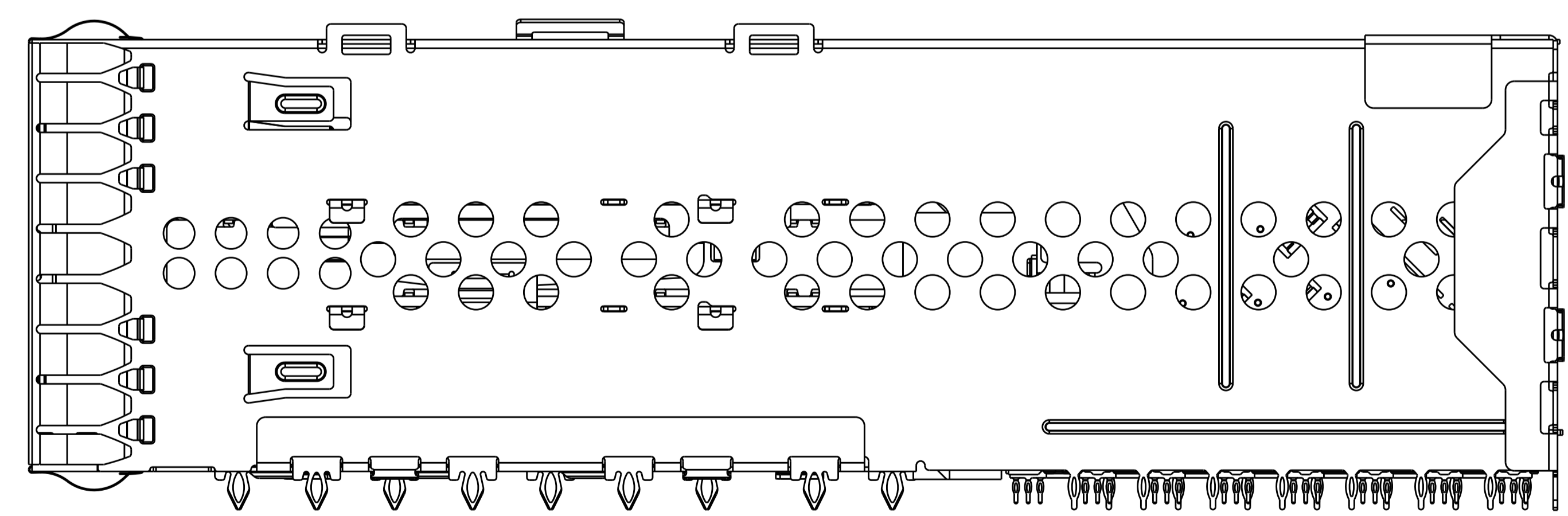


2343246-3  
SCALE 3:1

5-2343246-1 WITHOUT UPPER HS AND HS CLIP, UNSPECIFIED DIMENSIONS SAME AS 2343246-1



SCALE 4:1

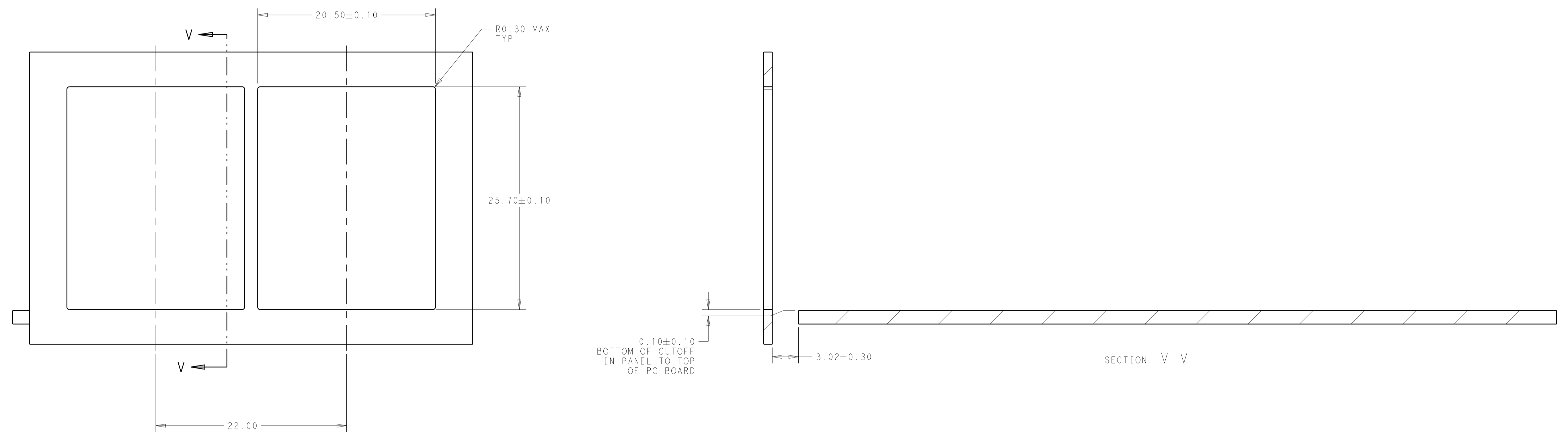


5-2343246-1  
SCALE 3:1

THIS DRAWING IS A CONTROLLED DOCUMENT.		OWN: VINDY LIU 31AUG2018	TE Connectivity
		CHK: SEAN HAN 31AUG2018	
DIMENSIONS:		NAME: QSFP-DD 2X1 CAGE ASSEMBLY, WITH EMI SPRING, HEAT SINK	
TOLERANCES UNLESS OTHERWISE SPECIFIED:		PRODUCT SPEC: 108-60130	
MATERIAL: TBD		APPLICATION SPEC: 114-60028	
FINISH:		SIZE: A1	
CUSTOMER DRAWING		SCALE: 4:1 SHEET 2 OF 6 REV A2	

THIS DRAWING IS UNPUBLISHED. RELEASED FOR PUBLICATION 20  
COPYRIGHT 20 BY - ALL RIGHTS RESERVED.

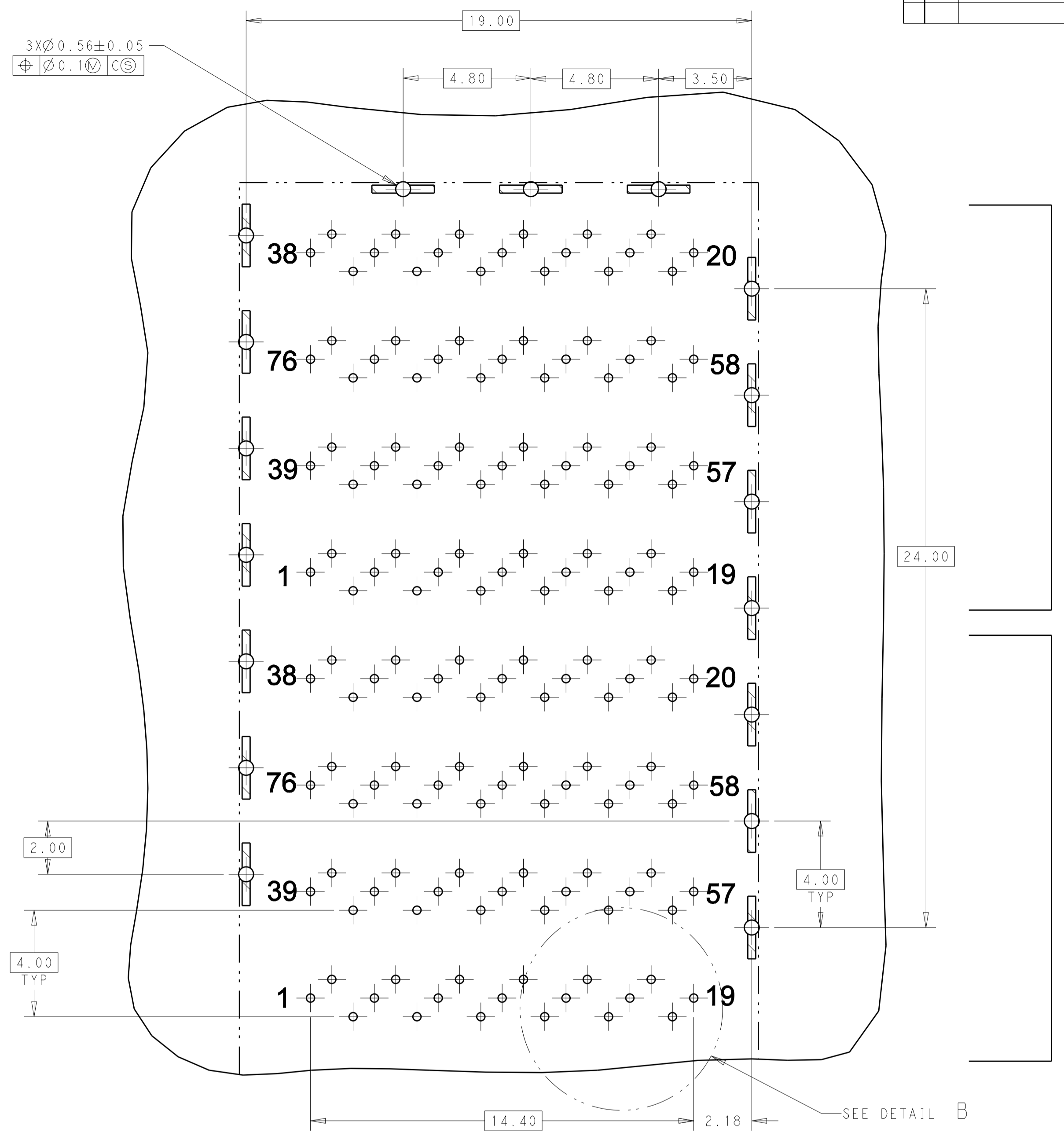
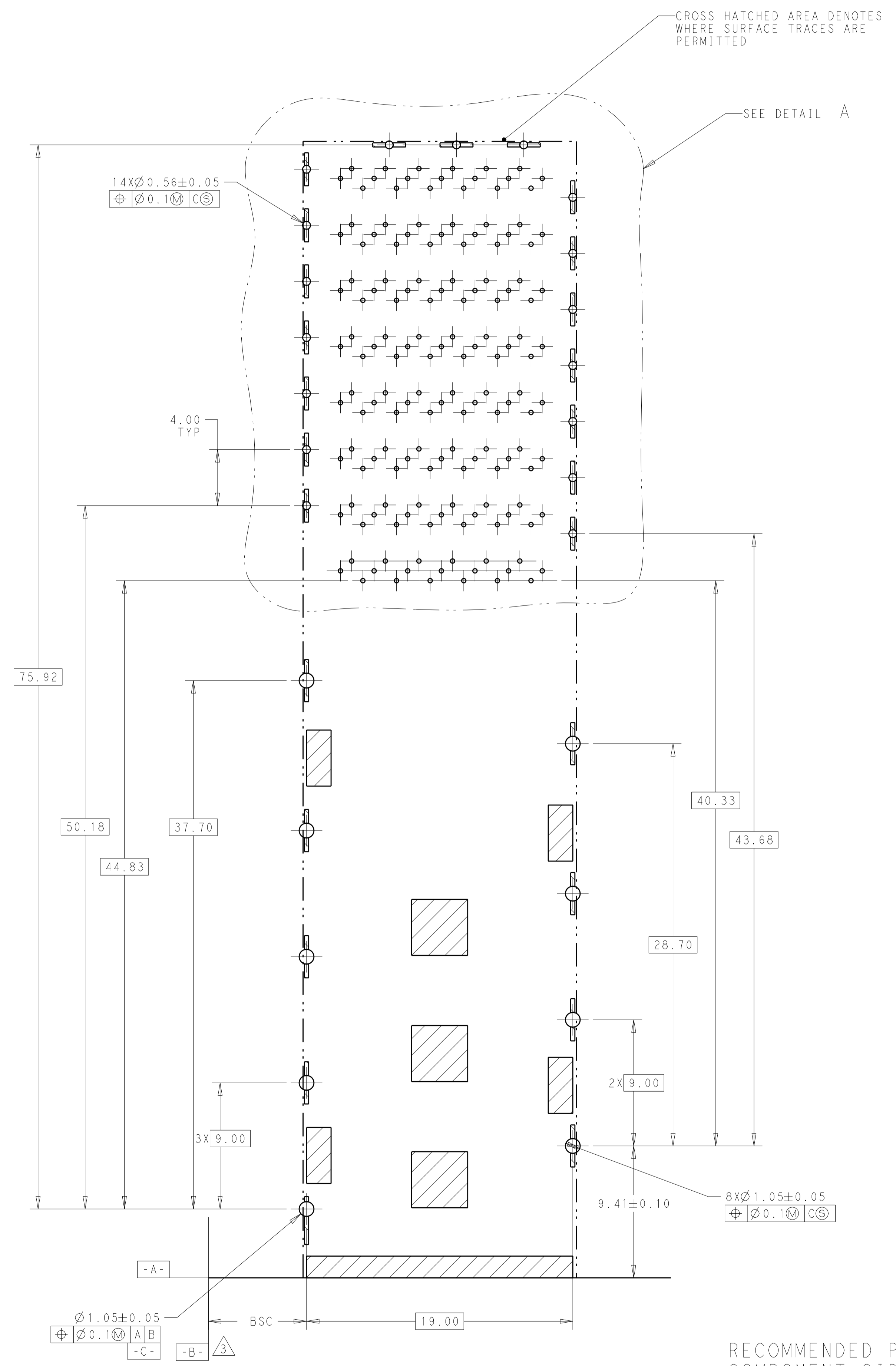
REVISIONS				
P.	LTN	DESCRIPTION	DATE	APVD
-	-	SEE SHEET 1	-	-



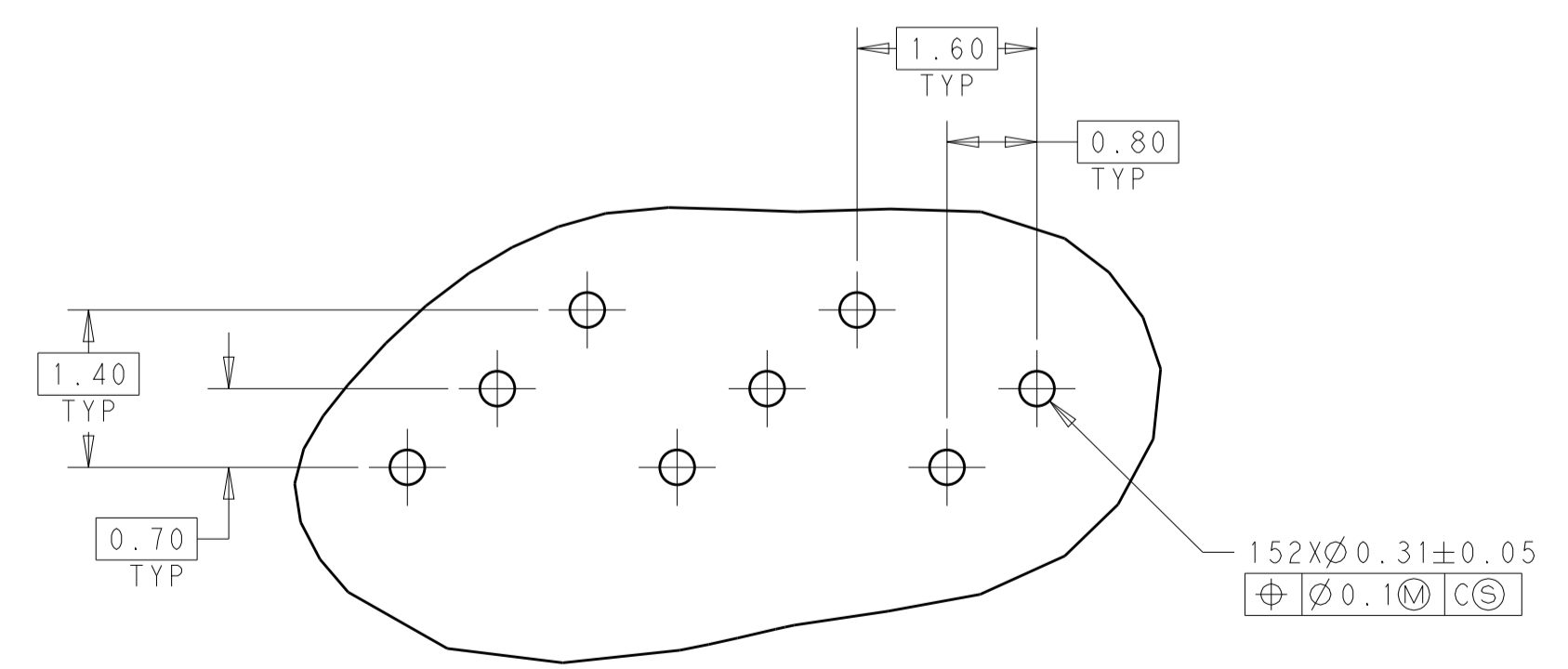
RECOMMENDED PANEL CUTOUT AND PC BOARD, PANEL POSITION

THIS DRAWING IS A CONTROLLED DOCUMENT.		DWN VINDY LIU 31AUG2018	<b>STE</b> TE Connectivity
DIMENSIONS: mm		CHK SEAN HAN 31AUG2018	
TOLERANCES UNLESS OTHERWISE SPECIFIED:		APVD	NAME
0 PLC ±0.25	PRODUCT SPEC		QSFP-DD 2X1 CAGE ASSEMBLY, WITH EMI SPRING, HEAT SINK
1 PLC ±0.25	108-60130		
2 PLC ±0.20	APPLICATION SPEC		
3 PLC ±0.10	114-60028		
4 PLC ±	SIZE CAGE CODE DRAWING NO		RESTRICTED TO
ANGLES ±	A100779C=2343246		
MATERIAL TBD	WEIGHT		
FINISH	CUSTOMER DRAWING		
	SCALE 4:1	SHEET 3 OF 6	REV A2

REVISIONS				
P.	LTN.	DESCRIPTION	DATE	APVD.
-	-	SEE SHEET 1	-	-



DETAIL A  
SCALE 8:1

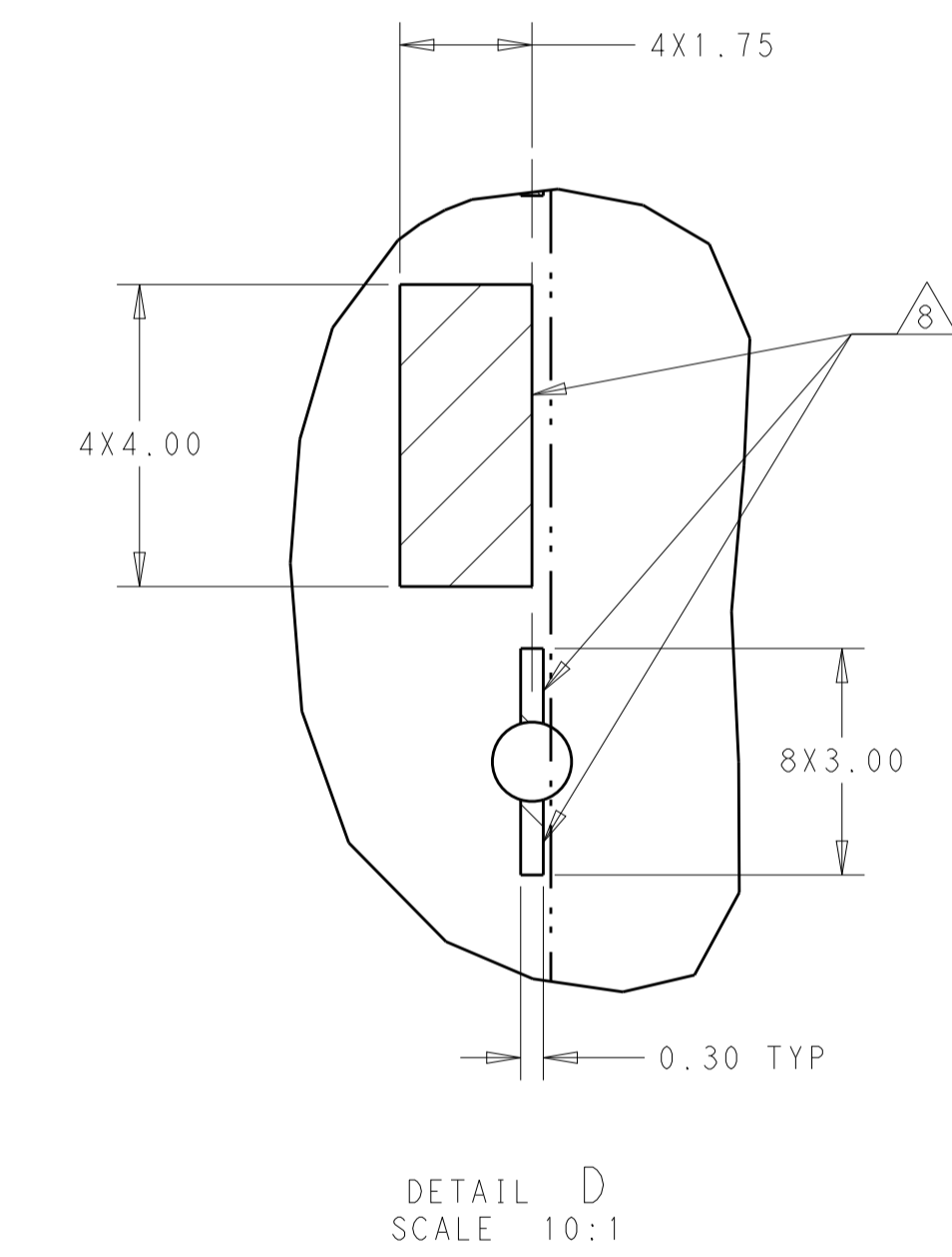
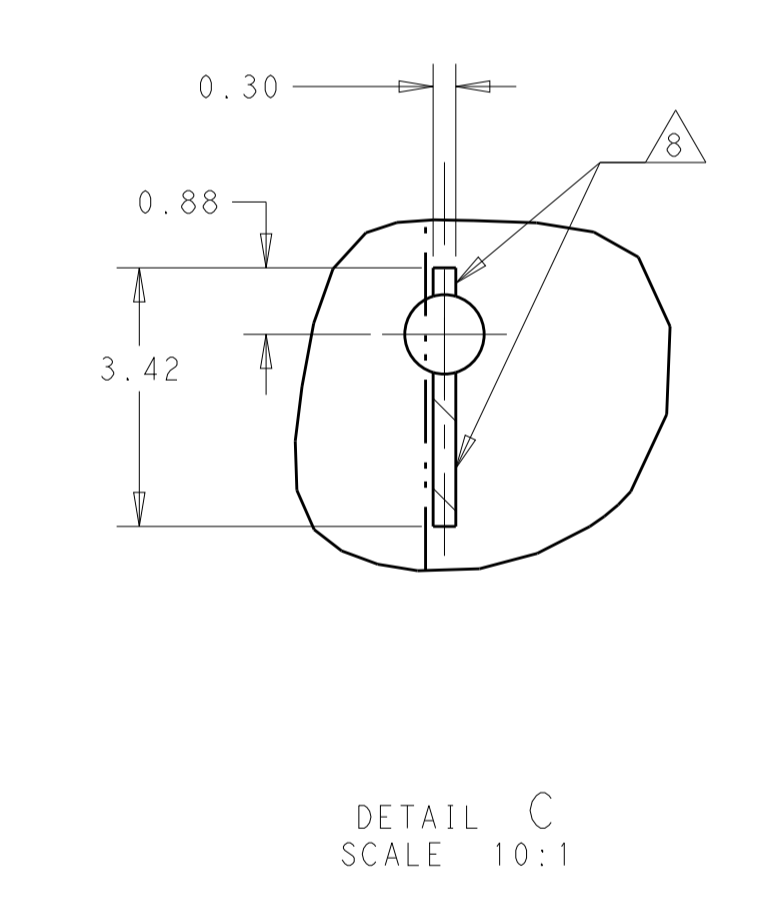
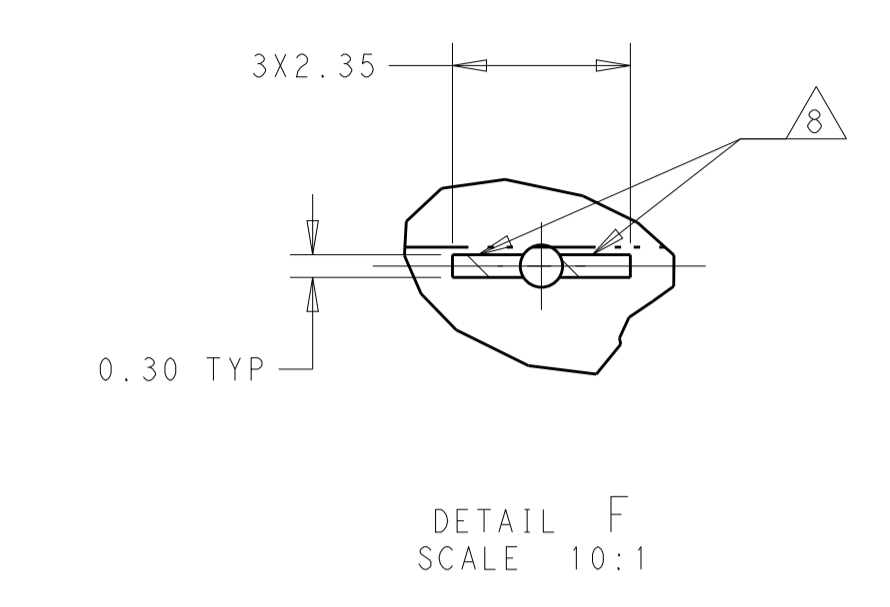
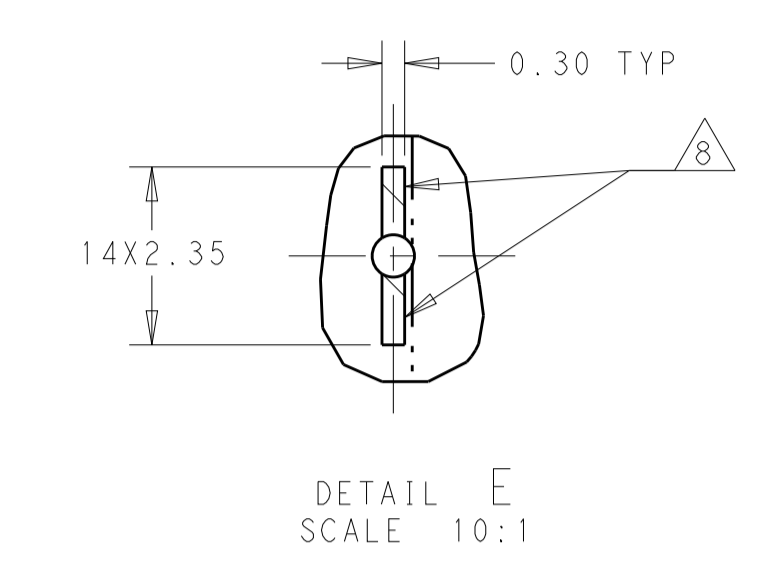
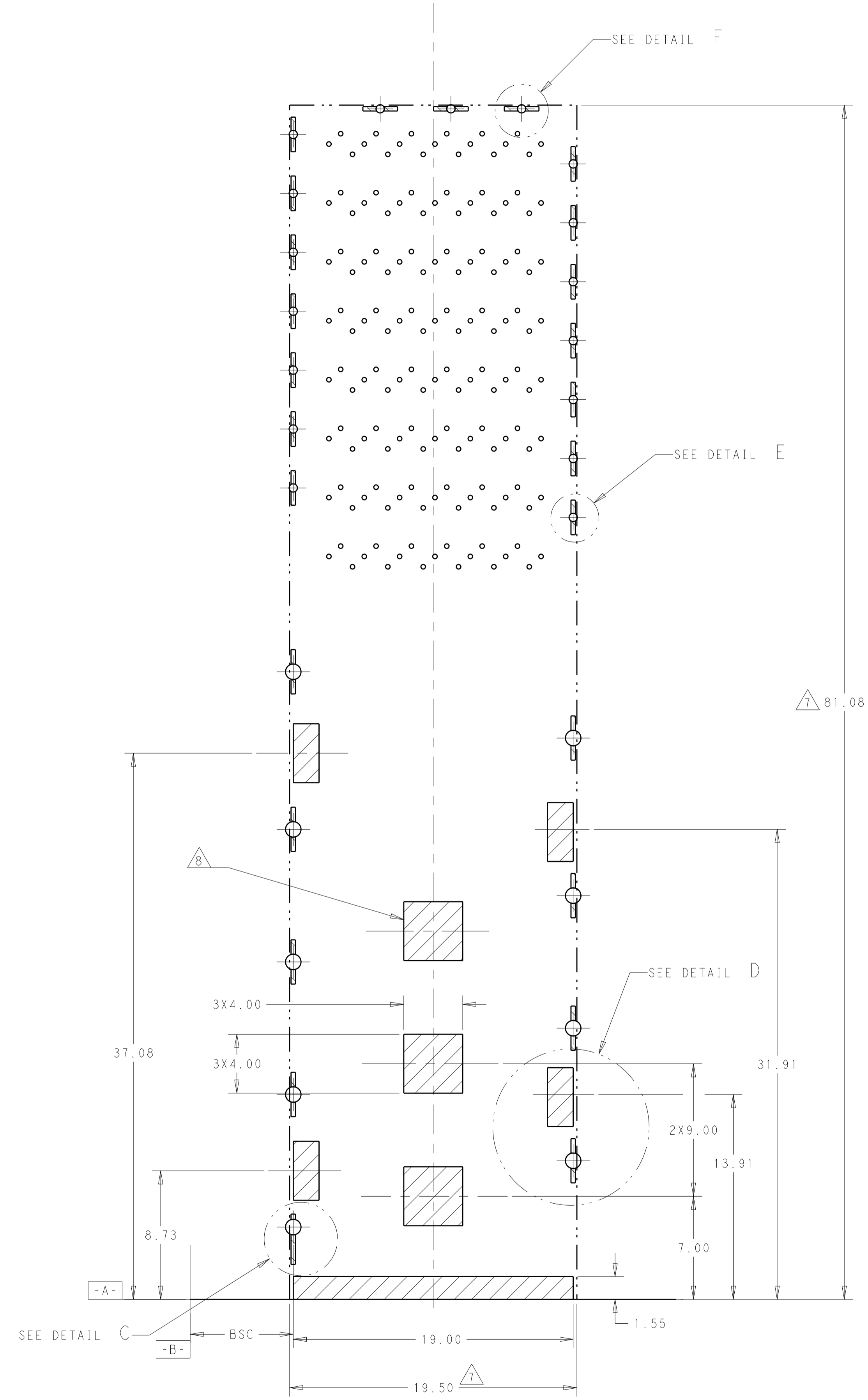


DETAIL B  
SCALE 16:1

RECOMMENDED PC BOARD LAYOUT  
 COMPONENT SIDE OF BOARD  
 (PCB TOLERANCE:  $\pm 0.05$ )

THIS DRAWING IS A CONTROLLED DOCUMENT.		OWN: VINDY LIU 31AUG2018	TE Connectivity
DIMENSIONS: mm		CHK: SEAN HAN 31AUG2018	
TOLERANCES UNLESS OTHERWISE SPECIFIED:		APVD:	NAME: QSFP-DD 2X1 CAGE ASSEMBLY, WITH EMI SPRING, HEAT SINK
0 PLC $\pm 0.25$	1 PLC $\pm 0.25$	PRODUCT SPEC: 108-60130	SIZE: 114-60028
2 PLC $\pm 0.20$	3 PLC $\pm 0.10$	APPLICATION SPEC:	RESTRICTED TO:
4 PLC $\pm 0.10$	ANGLES $\pm$	WEIGHT:	A100779C=2343246
MATERIAL: TBD	FINISH:	CUSTOMER DRAWING	SCALE: 4:1 SHEET 4 OF 6 REV: A2

REVISIONS				
REV	DATE	BY	CHK	APPV
-	SEE SHEET 1	-	-	-

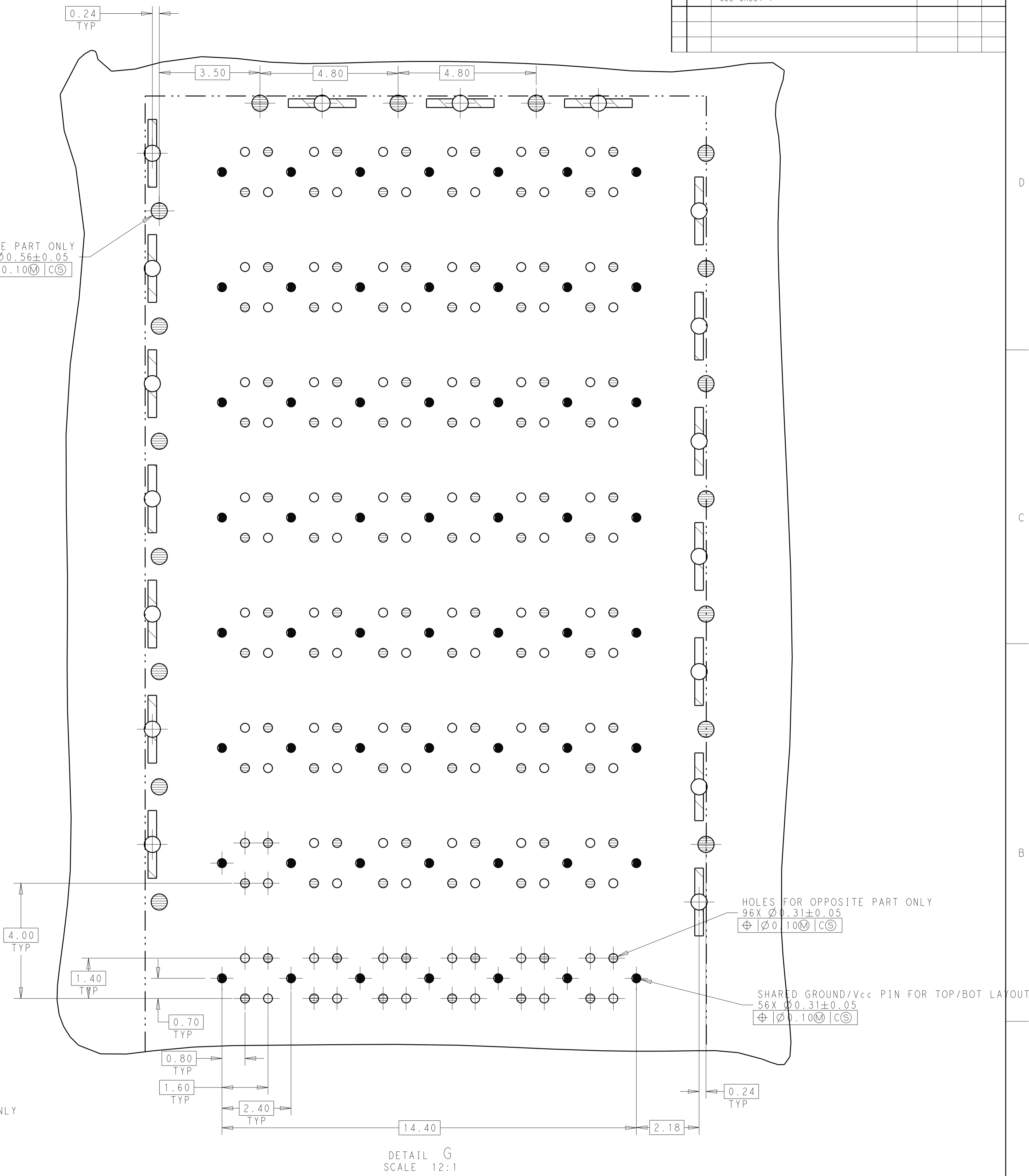
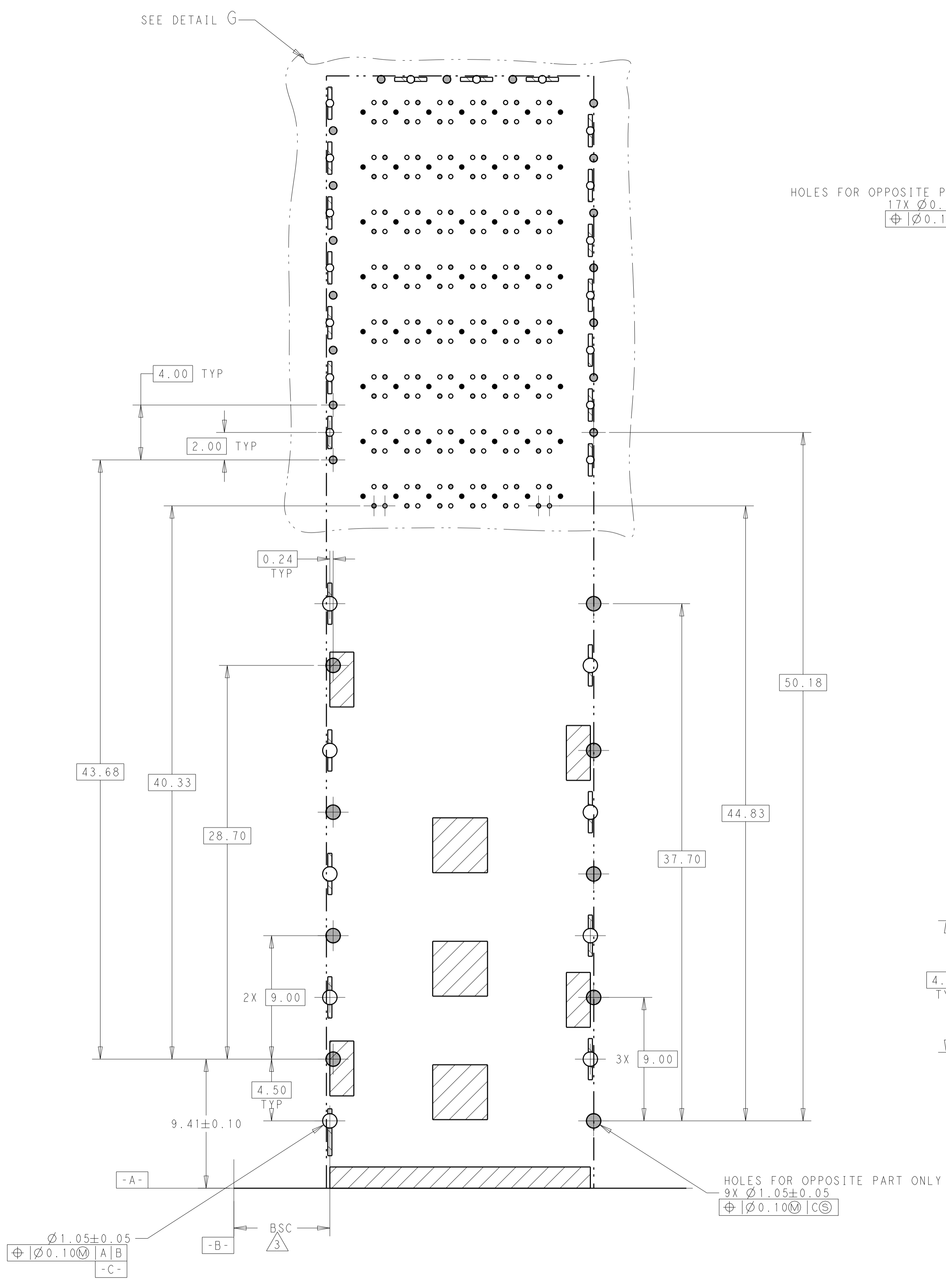


KEEP OUT AREAS  
 COMPONENT SIDE OF BOARD  
 (PCB TOLERANCE: ±0.05)

THIS DRAWING IS A CONTROLLED DOCUMENT.		DWN: WINDY LIU 31AUG2018 CHK: SEAN HAN 31AUG2018 APVD: -	TE Connectivity
DIMENSIONS: mm 	TOLERANCES UNLESS OTHERWISE SPECIFIED: 0 PLC ±0.25 1 PLC ±0.25 2 PLC ±0.20 3 PLC ±0.10 4 PLC ± ANGLES ±	NAME: QSFP-DD 2X1 CAGE ASSEMBLY, WITH EMI SPRING, HEAT SINK PRODUCT SPEC: 108-60130 APPLICATION SPEC: 114-60028 WEIGHT: - CUSTOMER DRAWING	
MATERIAL: TBD	FINISH: -	SIZE: A1 CAGE CODE: 00779 DRAWING NO: 2343246 SCALE: 4:1 SHEET: 5 OF 6 REV: A2	RESTRICTED TO: -

REVISIONS				
P.	LTN	DESCRIPTION	DATE	APVD
-	-	SEE SHEET 1	-	-

UNSPECIFIED PCB HOLE LAYOUT AND DIMENSION REFER TO SINGLE TYPE



RECOMMENDED PC BOARD LAYOUT FOR BELLY TO BELLY TYPE  
TOP COMPONENT SIDE OF BOARD  
(PCB TOLERANCE: ±0.05)

THIS DRAWING IS A CONTROLLED DOCUMENT.		DWN: WINDY LIU 31AUG2018	 TE Connectivity
DIMENSIONS: mm		CHK: SEAN HAN 31AUG2018	
TOLERANCES UNLESS OTHERWISE SPECIFIED:		APVD:	NAME: QSFP-DD 2X1 CAGE ASSEMBLY, WITH EMI SPRING, HEAT SINK
0 PLC	±0.25	PRODUCT SPEC:	108-60130
1 PLC	±0.25	APPLICATION SPEC:	114-60028
2 PLC	±0.20	SIZE:	A100779C=2343246
3 PLC	±0.10	WEIGHT:	SCALE: 1:1 SHEET 6 OF 6 REV: A2
4 PLC	±0.10	FINISH:	CUSTOMER DRAWING
ANGLES	±		