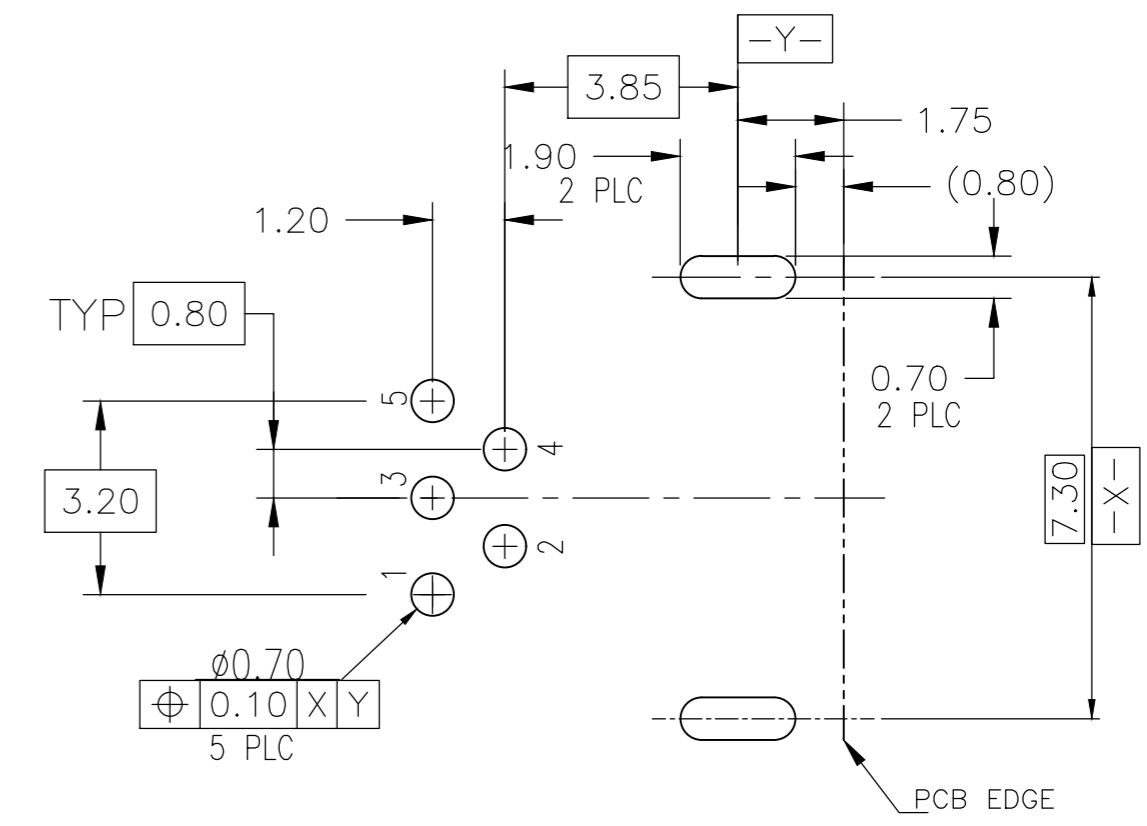
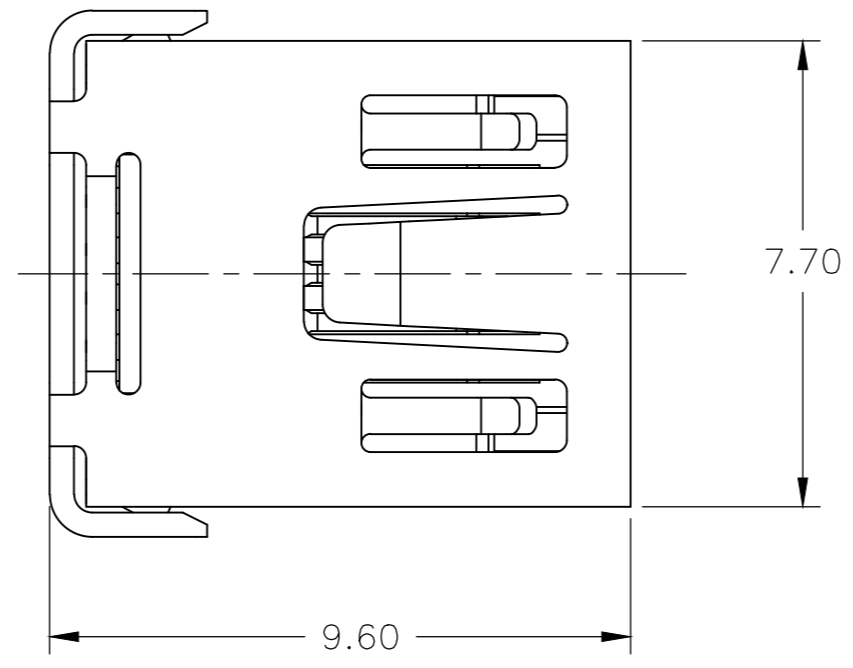
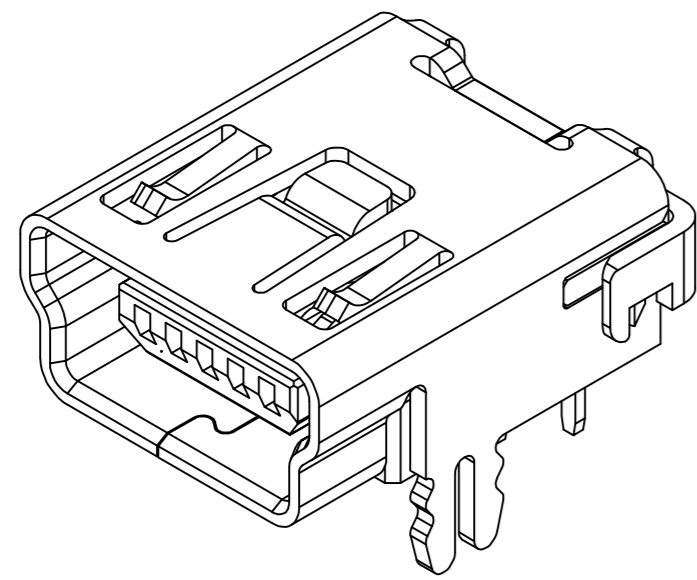
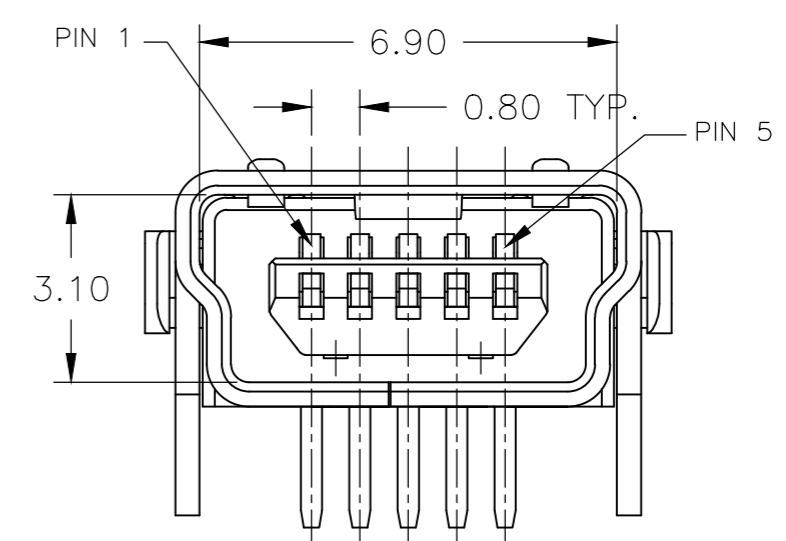
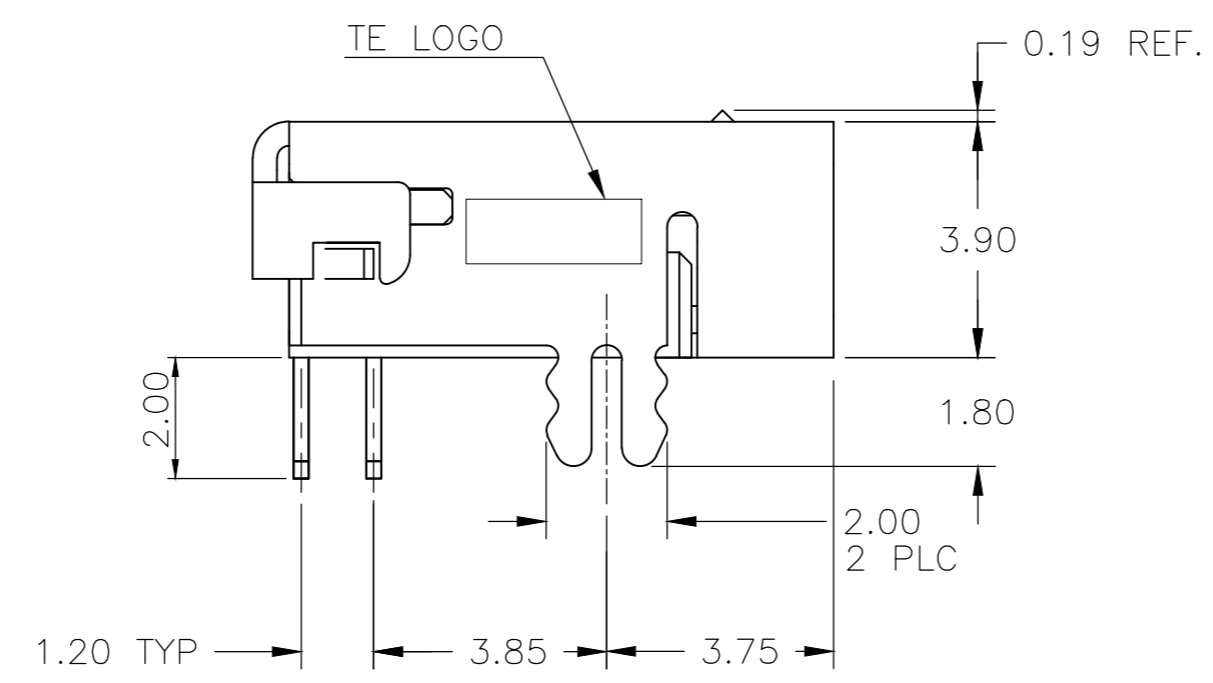
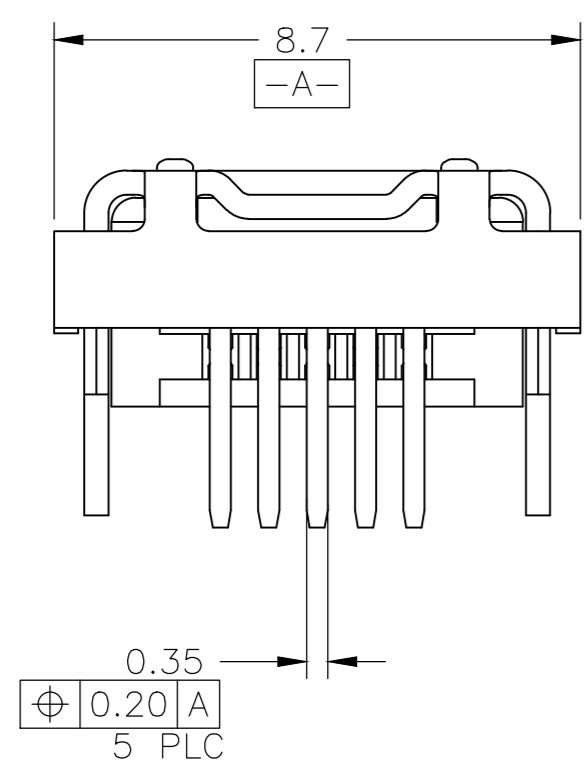


THIS DRAWING IS UNPUBLISHED. RELEASED FOR PUBLICATION
 © COPYRIGHT - By - ALL RIGHTS RESERVED.

REVISIONS				
P	LTR	DESCRIPTION	DATE	APVD
A		INITIAL	24OCT2018	J.Z C.W



RECOMMENDED P.C.B LAYOUT (TOP VIEW)
 (TOLERANCE:±0.05; THICKNESS IS 1.60mm)



- 1 MATERIAL :
 HOUSING: PBT WITH 30% GLASS FILLED, 15% REGRIND MAX, UL 94V-0, COLOR BLACK.
 CONTACT: PHOSPHOR BRONZE.
 SHIELD: PHOSPHOR BRONZE.
- 2 FINISH :
 CONTACT:
 GOLD FLASH AND 0.762um (30u") MIN PALLADIUM-NICKEL PLATING ON CONTACT AREA.
 2.54um [100u"] MIN MATTE TIN PLATED ON SOLDER TAILS
 1.27um [50u"] MIN NICKEL UNDERPLATED ALL OVER.
 SHIELD: 1.27um(50u') MIN NICKEL PLATED ALL OVER.
- 3 RECOMMENDED PCB THICKNESS :1.60mm.
- 4 WAVE SOLDER CAPABLE TO 265 C PER TE SPEC 109-202,CONDITION B.
- 5 PARTS NOT YET QUALIFIED

2342993-1
 PART NUMBER

THIS DRAWING IS A CONTROLLED DOCUMENT.		DWN JEREMY ZHANG 24OCT2018	TE Connectivity Ltd.													
DIMENSIONS: mm		CHK GINO YAO 24OCT2018														
TOLERANCES UNLESS OTHERWISE SPECIFIED:		APVD CHRIS WANG 24OCT2018	NAME MINI USB CONN,RCPT,R/A,DIP,B TYPE													
<table border="1"> <tr><td>0 PLC</td><td>± 0.38</td></tr> <tr><td>1 PLC</td><td>± 0.30</td></tr> <tr><td>2 PLC</td><td>± 0.20</td></tr> <tr><td>3 PLC</td><td>± 0.10</td></tr> <tr><td>4 PLC</td><td>± -</td></tr> <tr><td>ANGLES</td><td>± 3°</td></tr> </table>		0 PLC	± 0.38	1 PLC	± 0.30	2 PLC	± 0.20	3 PLC	± 0.10	4 PLC	± -	ANGLES	± 3°	PRODUCT SPEC 108-57062	SIZE A2	
0 PLC	± 0.38															
1 PLC	± 0.30															
2 PLC	± 0.20															
3 PLC	± 0.10															
4 PLC	± -															
ANGLES	± 3°															
MATERIAL SEE NOTE		FINISH SEE NOTE	APPLICATION SPEC -	CAGE CODE 00779												
		WEIGHT 0.663 GRAMS	DRAWING NO C=2342993	RESTRICTED TO -												
		CUSTOMER DRAWING		SCALE 1:1												
		SHEET 1 OF 2		REV A												

THIS DRAWING IS UNPUBLISHED. RELEASED FOR PUBLICATION
 © COPYRIGHT - By - ALL RIGHTS RESERVED.

REVISIONS					
P	LTR	DESCRIPTION	DATE	DWN	APVD
-	-	SEE SHEET 1	-	-	-

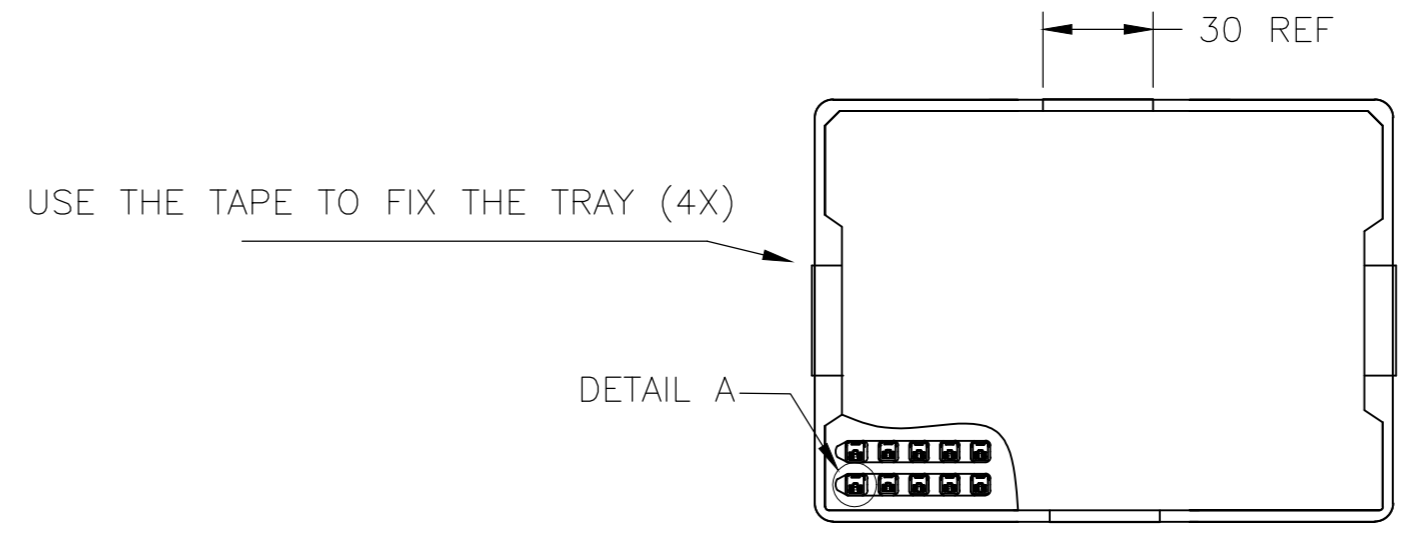
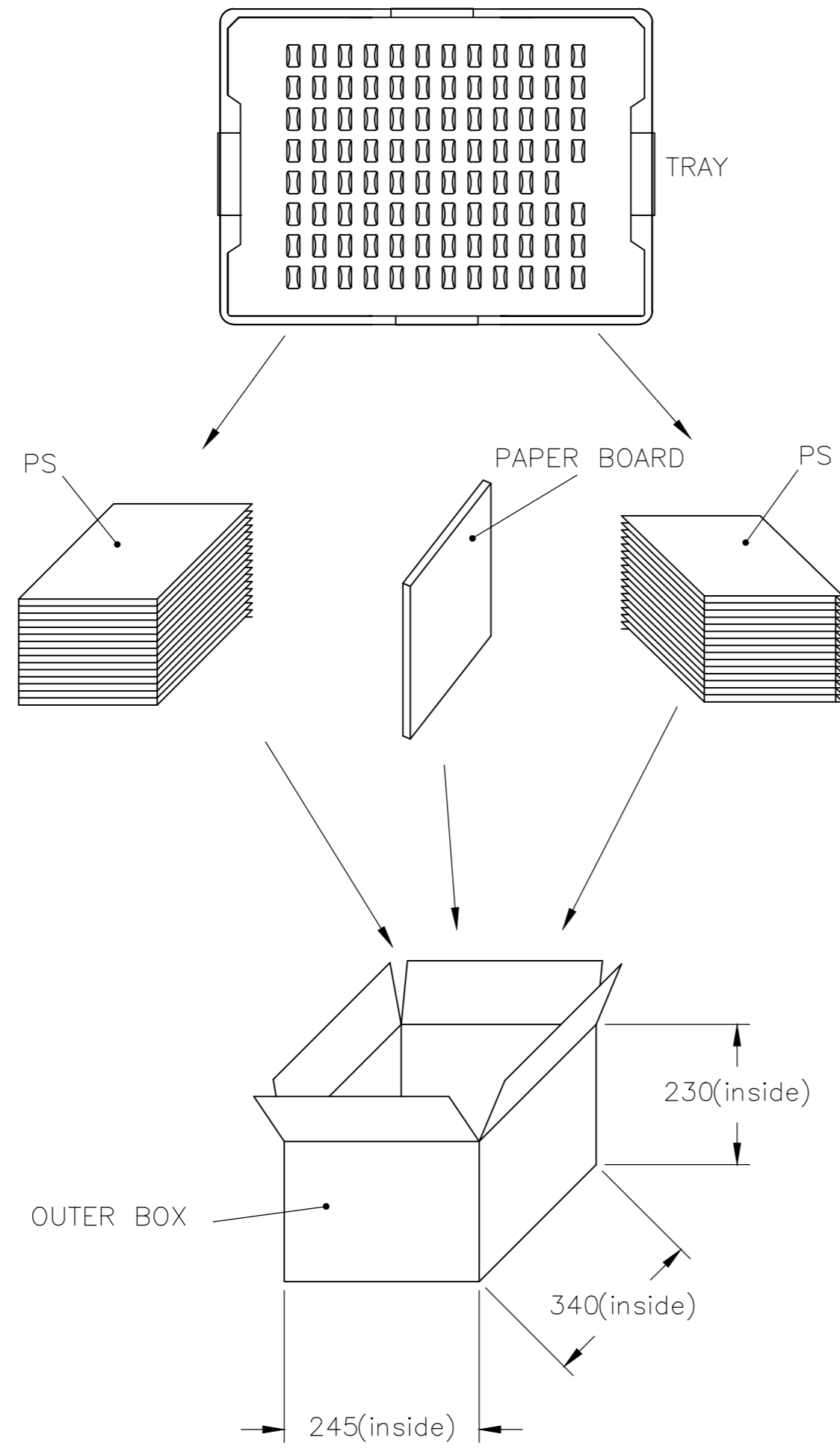
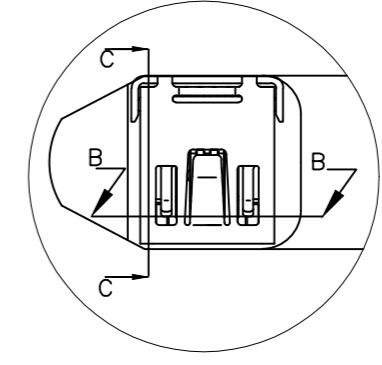


FIGURE E
HEIGHT : 8mm



DETAIL A
(SCALE 8:1)

6.2 Kg	3.5 Kg	95	46	4370 PCS
GROSS WEIGHT	NET WEIGHT	PCS/TRAY	TRAYS /CARTON	QUANTITY

THIS DRAWING IS A CONTROLLED DOCUMENT.		DWN JEREMY ZHANG 24OCT2018	STE TE Connectivity Ltd.	
DIMENSIONS: mm		CHK GINO YAO 24OCT2018		
TOLERANCES UNLESS OTHERWISE SPECIFIED:		APVD CHRIS WANG 24OCT2018	NAME -	
0 PLC ± 0.38		PRODUCT SPEC	-	
1 PLC ± 0.30		108-57062	MINI USB CONN,RCPT,R/A,DIP,B TYPE	
2 PLC ± 0.20		APPLICATION SPEC	-	
3 PLC ± 0.10			SIZE	CAGE CODE
4 PLC ± -			A2	00779
ANGLES ± 3°		WEIGHT	DRAWING NO	
FINISH		0.663 GRAMS	C=2342993	
SEE NOTE		CUSTOMER DRAWING	SCALE	SHEET
			1:1	2 OF 2
			REV	A