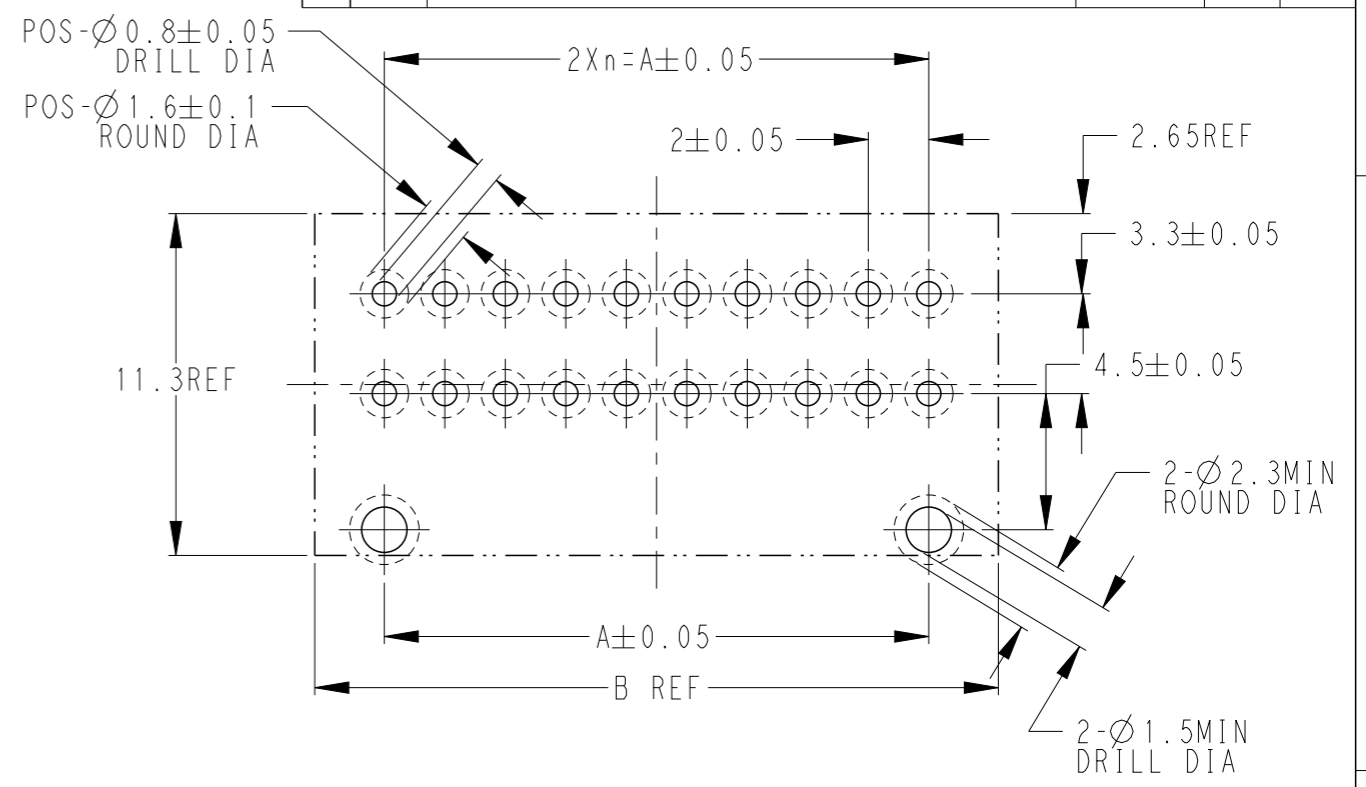
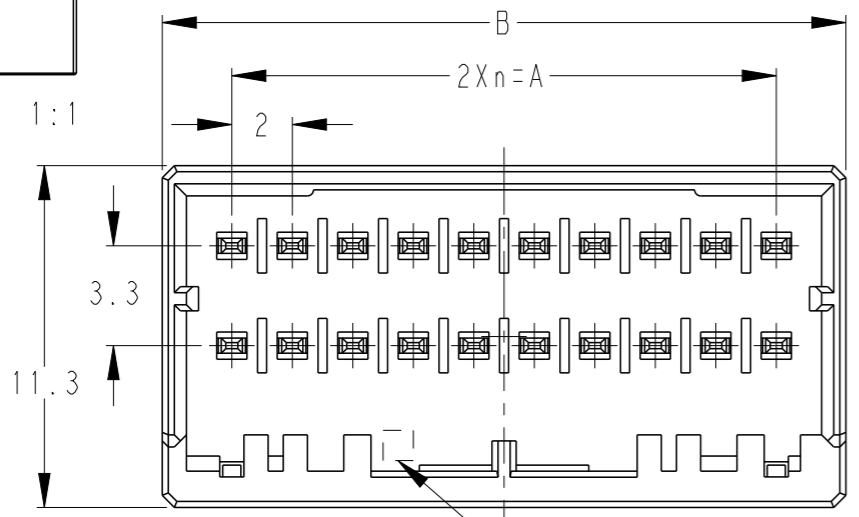
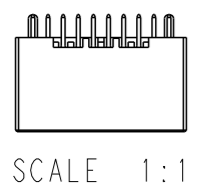


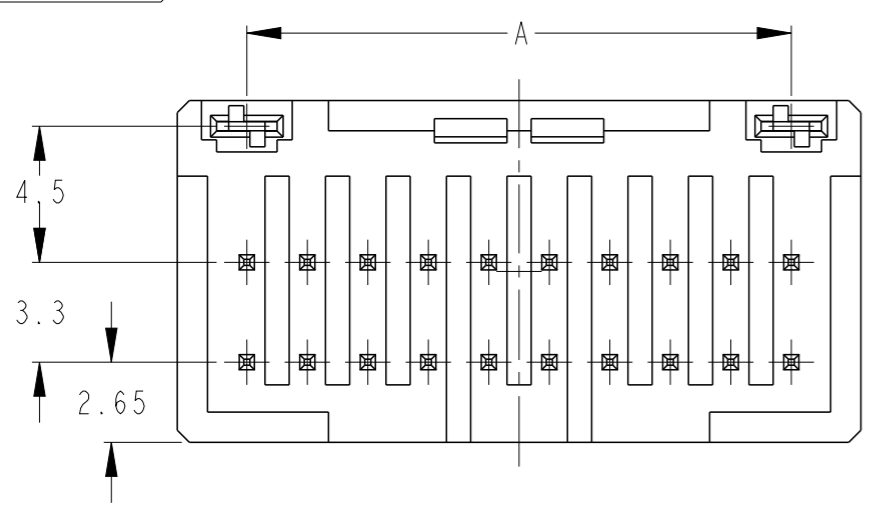
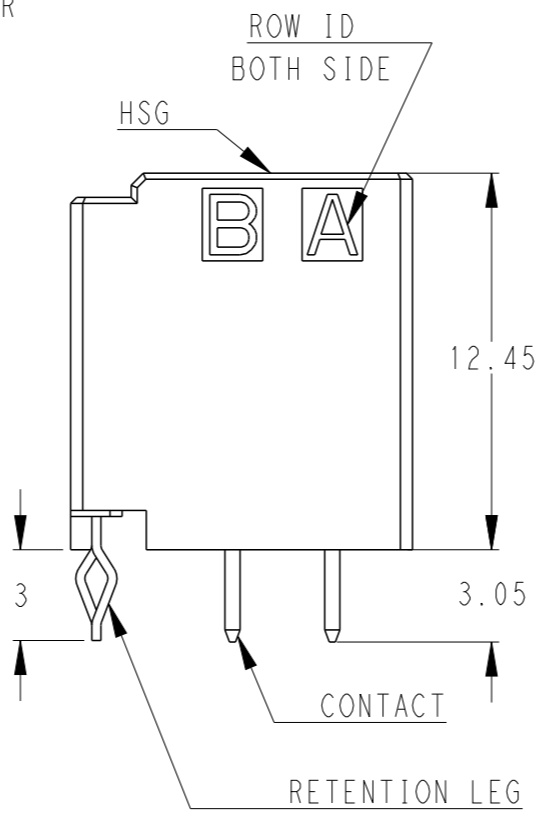
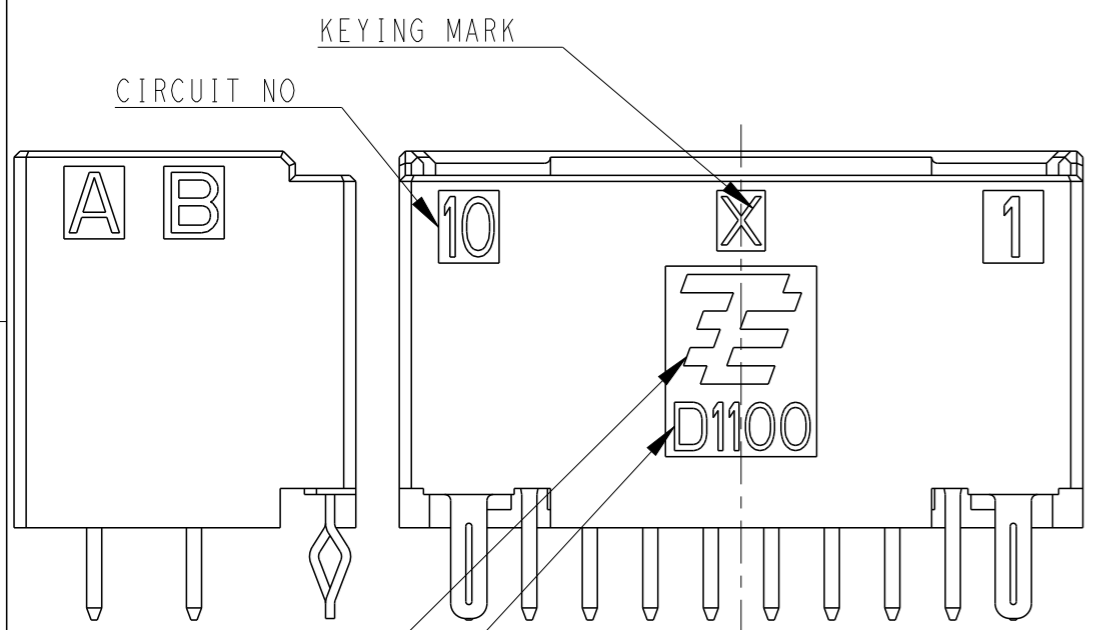
THIS DRAWING IS UNPUBLISHED. RELEASED FOR PUBLICATION 20  
 © COPYRIGHT 20 BY - ALL RIGHTS RESERVED.

| REVISIONS |     |             |           |     |      |
|-----------|-----|-------------|-----------|-----|------|
| P         | LTR | DESCRIPTION | DATE      | DWN | APVD |
|           | A   | INITIAL     | 19NOV2018 | F.Z | R.B  |
|           | A1  | REVISED     | 04FEB2021 | F.Z | R.B  |

RECOMMEND PC BOARD HOLE PATTERN  
 : CONNECTOR MOUNT SIDE  
 (NOT ACCUMULATE TOLERANCE)  
 PC BOARD THICKNESS : 1.0~1.6±0.1



- 1. MATERIAL: HOUSING: GLASS FILED THERMO PLASTIC POLYESTER(94V-0)  
 COLOR: BLACK  
 CONTACT: TIN COPPER ALLOY  
 RETENTION LEG: TIN COPPER ALLOY
- 2. THE SHAPE, SIZE AND POSITION OF THE CHARACTER SHOW THE OUTLINE. THEY DON'T SHOW DETAILS.



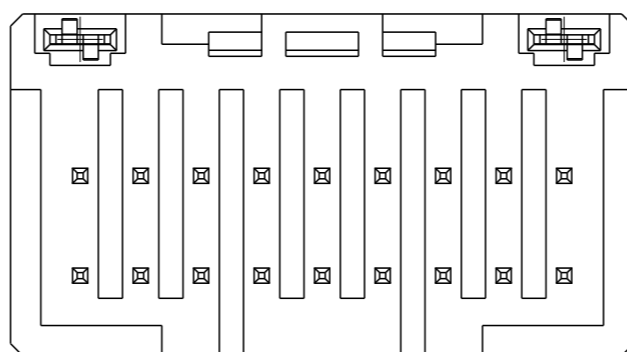
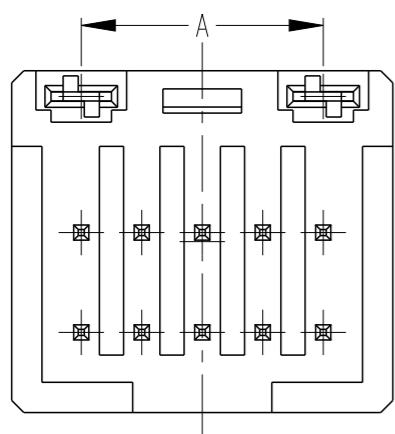
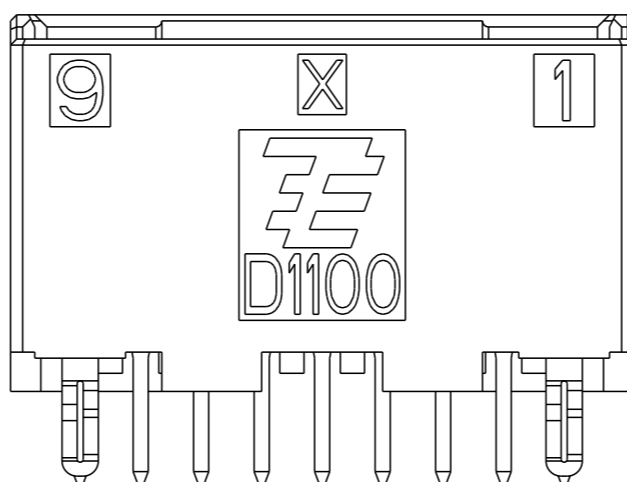
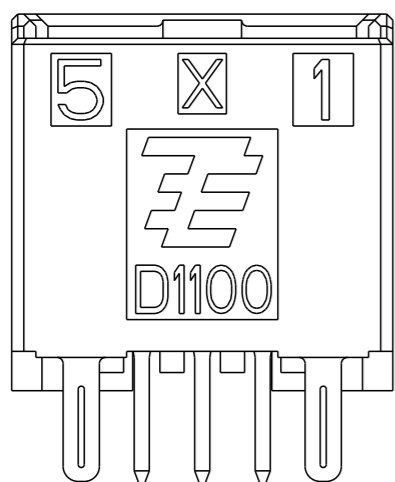
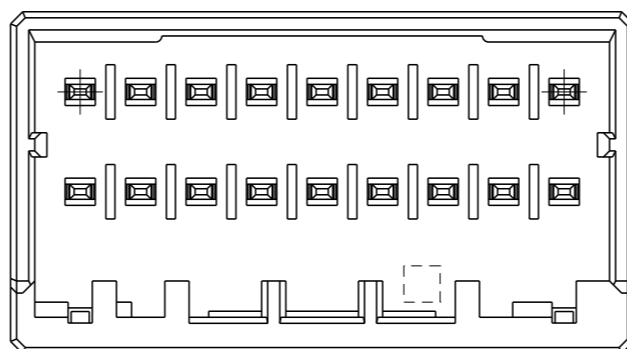
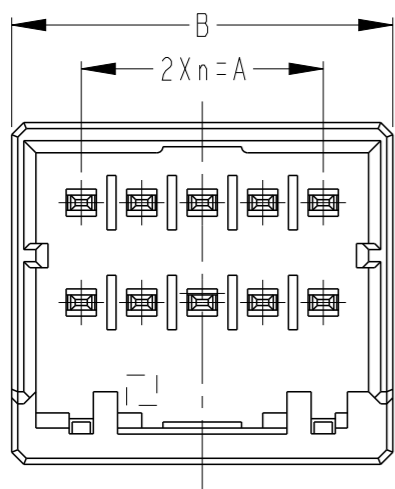
| 20  | X   | 9 | 18.0 | 22.6 | 1-2341421-0 |
|-----|-----|---|------|------|-------------|
| 18  | X   | 8 | 16.0 | 20.6 | 1-2341421-9 |
| 10  | X   | 4 | 8.0  | 12.6 | 1-2341421-5 |
| POS | KEY | n | A    | B    | PART NO     |

20POS(X-KEY): 1-2341421-0

|   |  |                  |           |                            |  |
|---|--|------------------|-----------|----------------------------|--|
| THIS DRAWING IS A CONTROLLED DOCUMENT.                                    |  | DWN              | 19-Nov-18 | <b>STE</b> TE Connectivity |  |
| DIMENSIONS: mm  |  | FISHER.ZHU       | 19-Nov-18 |                            |  |
| TOLERANCES UNLESS OTHERWISE SPECIFIED: ±0.3, ±5°                          |  | CHK              | RICK.BIAN |                            |  |
| 0-PLC ±<br>1-PLC ±<br>2-PLC ±<br>3-PLC ±<br>4-PLC ±<br>ANGLES ±<br>FINISH |  | APVD             | RICK.BIAN |                            |  |
| MATERIAL  |  | PRODUCT SPEC     | 108-78298 | NAME                       | DYNAMIC D1100D 2.0mmPITCH HDR ASSY (V-TYPE) BLACK TIN PLATE 10-20POS |
|   |  | APPLICATION SPEC | 114-5377  | SIZE                       | A3   |
|   |  | WEIGHT           | -         | CAGE CODE                  | 00779  |
|   |  | CUSTOMER DRAWING |           | DRAWING NO                 | C-2341421  |
|   |  | SCALE            |           | 4:1                        | SHEET  |
|   |  |                  |           | 1                          | OF   |
|   |  |                  |           | 2                          | REV  |
|   |  |                  |           | A1                         |  |

REVISIONS

| P | LTR | DESCRIPTION | DATE | DWN | APVD |
|---|-----|-------------|------|-----|------|
| - | -   | SEE SHEET 1 | -    | -   | -    |
|   |     |             |      |     |      |
|   |     |             |      |     |      |



1-2341421-5  
10POS(X-KEY)

1-2341421-9  
18POS(X-KEY)

THIS DRAWING IS A CONTROLLED DOCUMENT.

DIMENSIONS:  
mm

TOLERANCES UNLESS OTHERWISE SPECIFIED:

|        |   |
|--------|---|
| 0 PLC  | ± |
| 1 PLC  | ± |
| 2 PLC  | ± |
| 3 PLC  | ± |
| 4 PLC  | ± |
| ANGLES | ± |

MATERIAL FINISH

|                  |           |
|------------------|-----------|
| DWN              | 04-Feb-21 |
| FISHER.ZHU       |           |
| CHK              | 04-Feb-21 |
| RICK.BIAN        |           |
| APVD             | 04-Feb-21 |
| RICK.BIAN        |           |
| PRODUCT SPEC     | 108-78298 |
| APPLICATION SPEC | 114-5377  |
| WEIGHT           | -         |

|   |           |  |               |
|---|-----------|--|---------------|
|  TE Connectivity |           | NAME   |               |
|   |           | DYNAMIC D1100D 2.0mmPITCH HDR ASSY (V-TYPE) BLACK TIN PLATE 10-20POS |               |
| SIZE  | CAGE CODE | DRAWING NO   | RESTRICTED TO |
| A3  | 00779     | 2341421  | -             |

SEE SHEET 1 OF 2

CUSTOMER DRAWING SCALE 4:1 SHEET 2 OF 2 REV A1