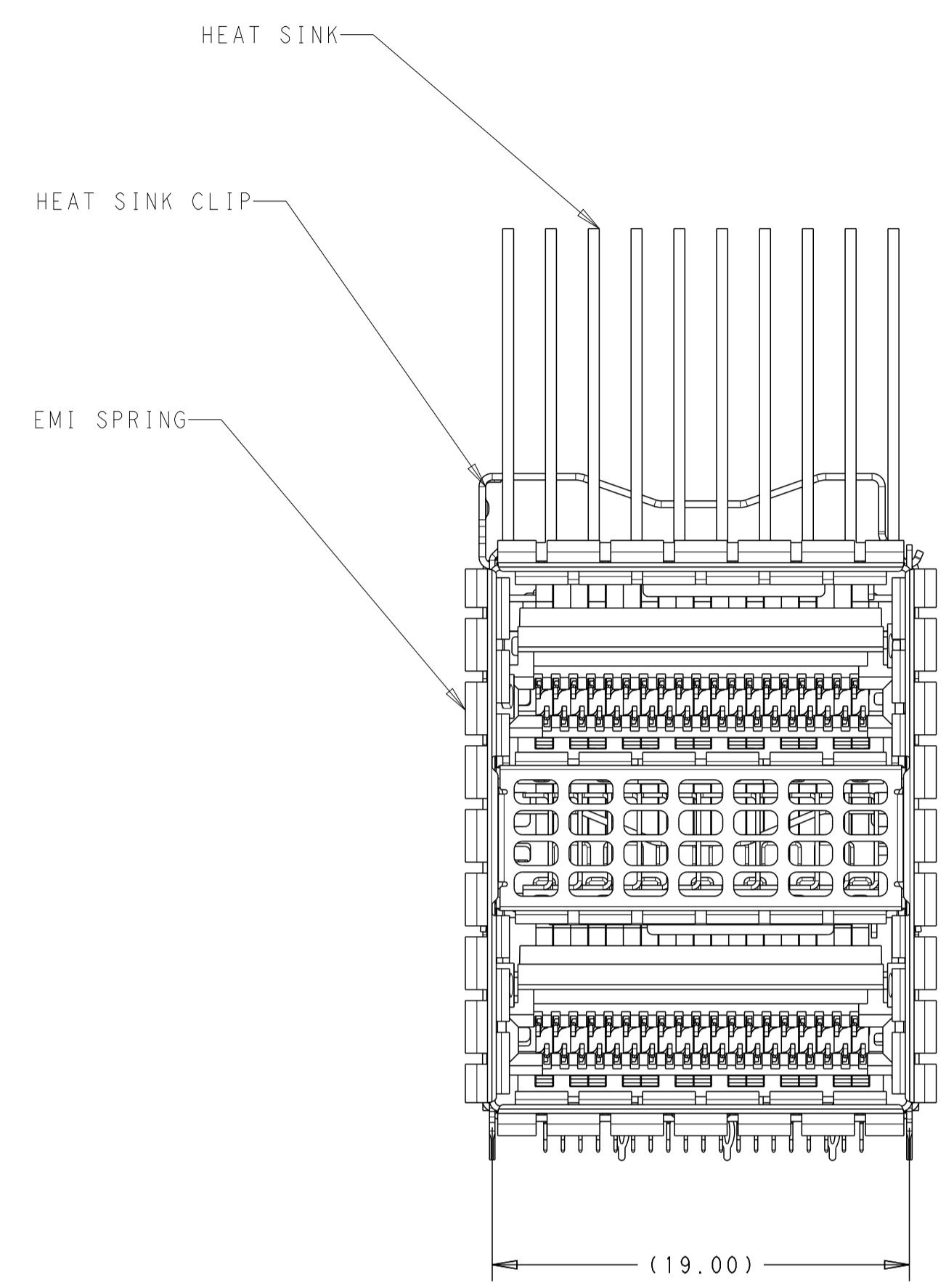
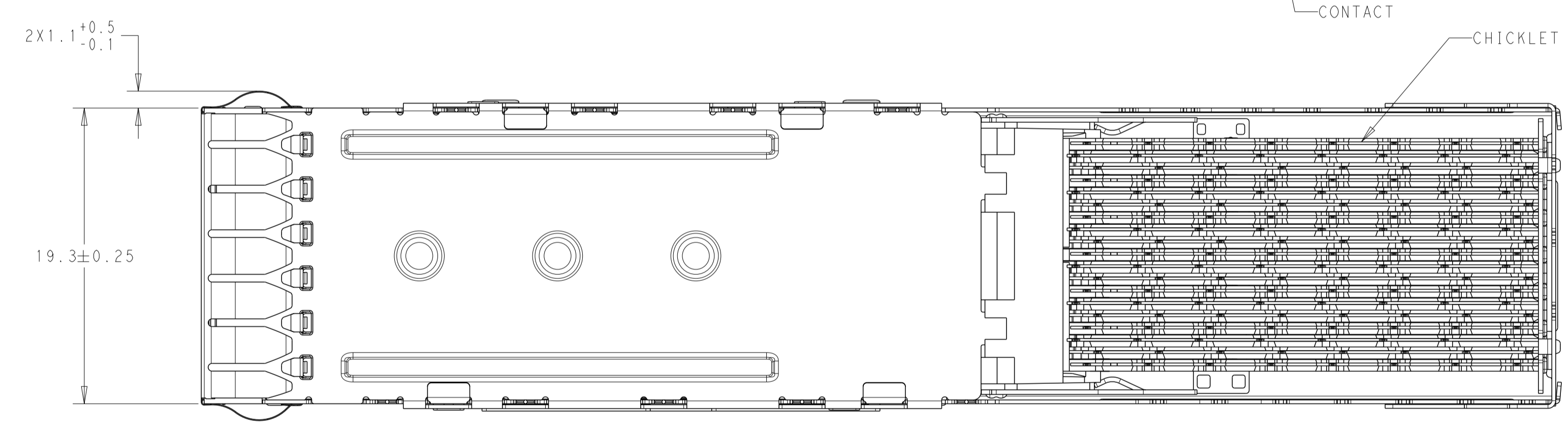
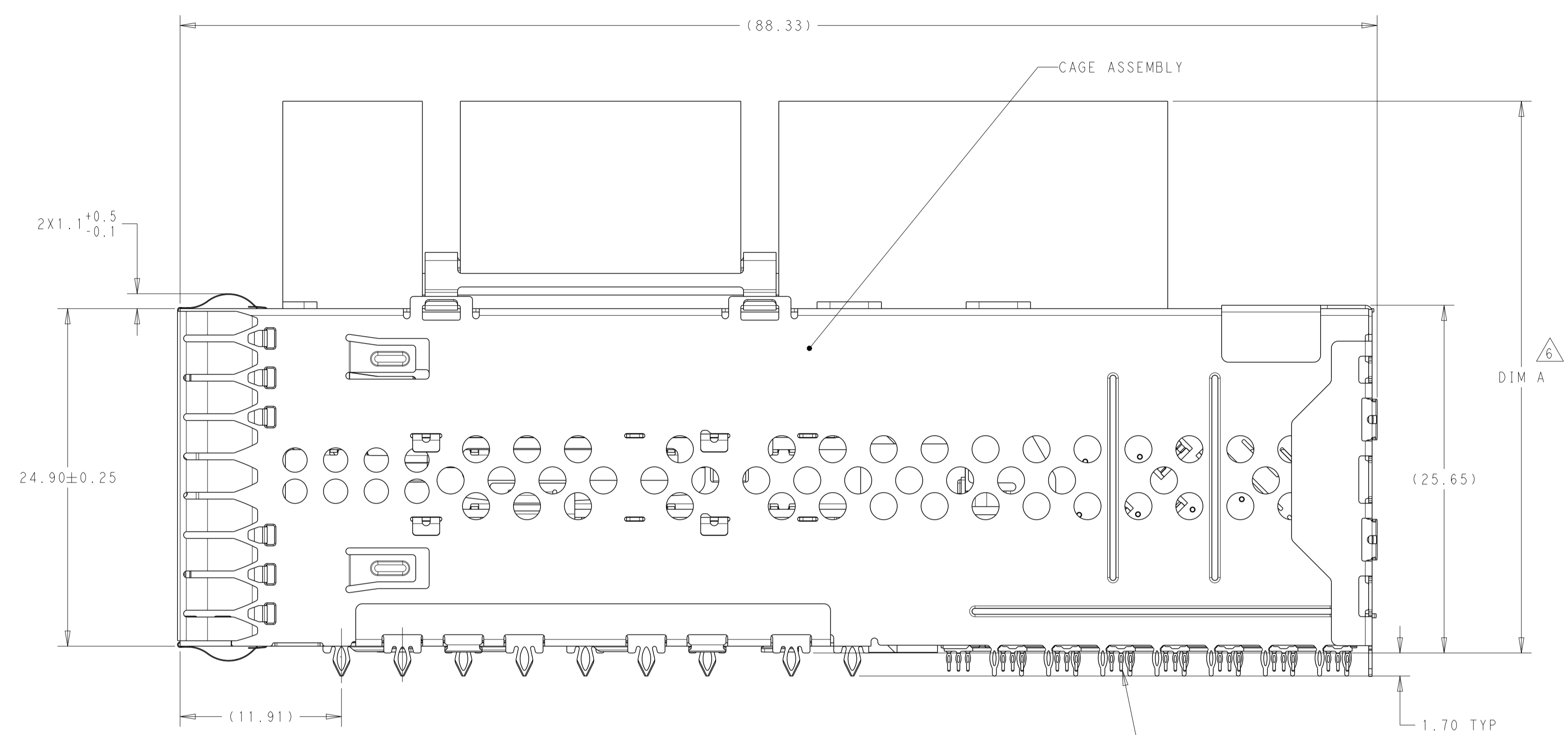


REVISIONS				
P	LTN	DESCRIPTION	DATE	APVD
A		PRODUCTION RELEASE	12DEC2020	VL SZH
A1		ADD -7, UPDATE LP	18APR2023	TP SZ



2340397-1 AS SHOWN



- △ CAGE ASSEMBLY: STAINLESS STEEL.
- HEAT SINK: ALUMINUM.
- HEAT SINK CLIP: STAINLESS STEEL.
- EMI SPRING: COPPER ALLOY/NICKEL PLATING.
- HOUSING- POLYESTER LCP WITH 94 V-0
- CHICKLET- POLYESTER LCP WITH 94 V-0
- CONTACT- COPPER ALLOY.

△ CONTACT FINISH: 0.76µm GOLD ON MATING END, 0.5-2µm MATT TIN ON COMPLIANT AREA, ALL OVER 1.27µm NICKEL.

△ DATUM AND BASIC DIMENSION ESTABLISHED BY CUSTOMER.

4. MATES WITH QSFP DD MSA COMPATIBLE TRANSCEIVER.

5. MINIMUM PC BOARD THICKNESS: SINGLE SIDED: 1.57 MIN
 DOUBLE SIDED: 3.00 MIN

- △ DIMENSION APPLIES WITH MODULE INSERTED INTO CAGE.
- △ THE ENTIRE AREA OF THE CONNECTOR FOOTPRINT, INDICATED BY THE DASHED LINE, TO BE CONSIDERED THE KEEPOUT AREA FOR COMPONENTS.
- △ CROSS-HATCHED AREAS REPRESENT ZONES ON THE PCB THAT BE IN CLOSE PROXIMITY TO THE CAGE. INDICATED AREAS TO BE CONSIDERED TRACE FREE.

△	W/O HS	-	2340397-7
△	32.65 MAX	BLACK ANODIZED	2-2340397-1
△	38.85 MAX	BLACK ANODIZED	2340397-6
△	31.85 MAX	BLACK ANODIZED	2340397-5
△	29.55 MAX	BLACK ANODIZED	2340397-4
△	33.10 MAX	NICKLE PLATING	2340397-3
△	32.60 MAX	NICKLE PLATING	2340397-2
△	41.60 MAX	NICKLE PLATING	2340397-1
△	CONTACT FINISH	DIM A	HS SURFACE TREATMENT PART NUMBER

THIS DRAWING IS A CONTROLLED DOCUMENT. DWN 26 JUL 2018
 CHG VINDY LIU 26 JUL 2018
 CHG SEAN HAN 26 JUL 2018

APVD -

PRODUCT SPEC 108-60130
 APPLICATION SPEC 114-60028

MATERIAL TBD

WEIGHT -

CUSTOMER DRAWING

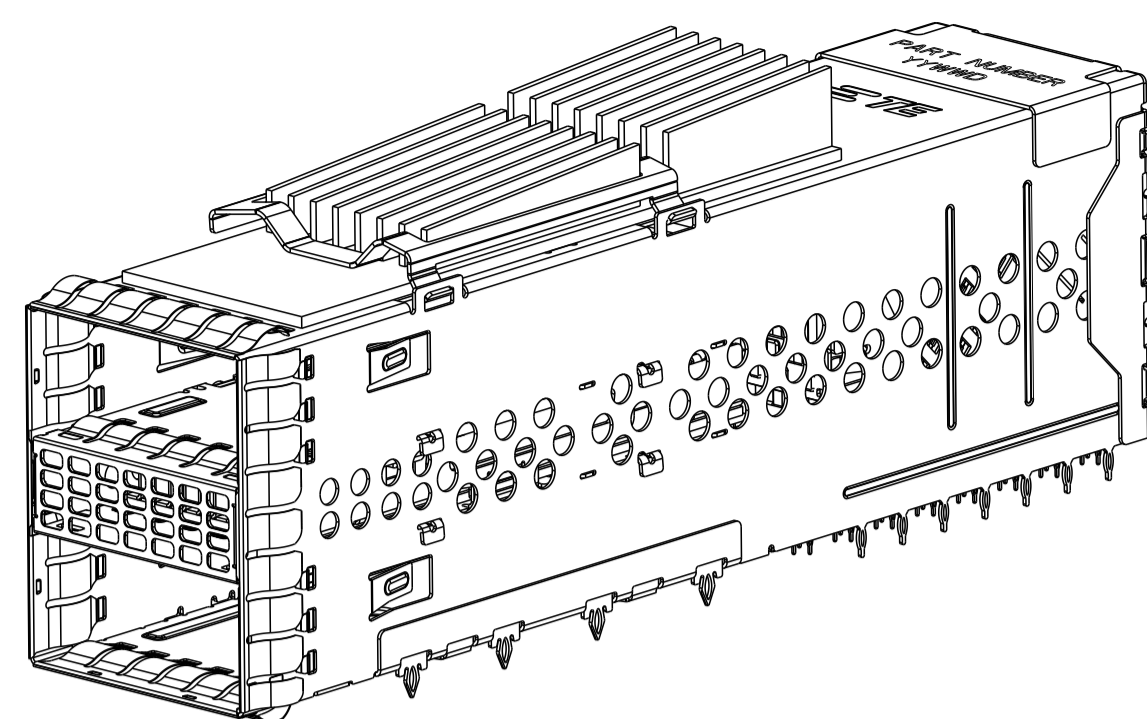
SCALE 1:1 SHEET 1 OF 8 REV A1

TE Connectivity

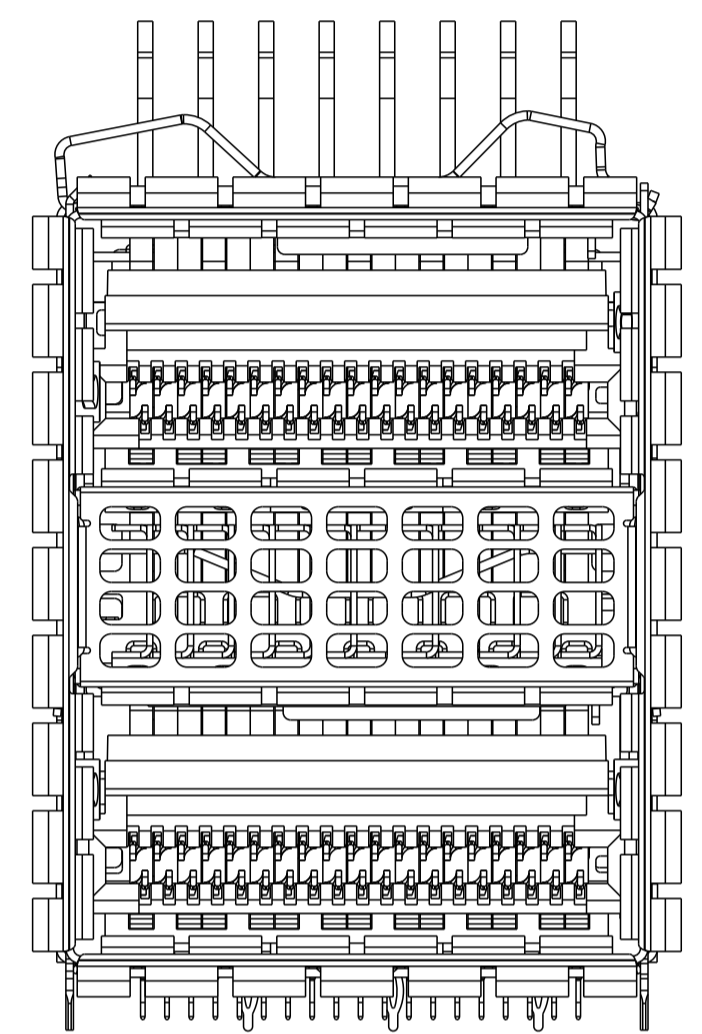
NAME QSFP-DD 2X1 CAGE ASSEMBLY, WITH EMI SPRING, HEAT SINK

SIZE CAGE CODE DRAWING NO A100779C=2340397

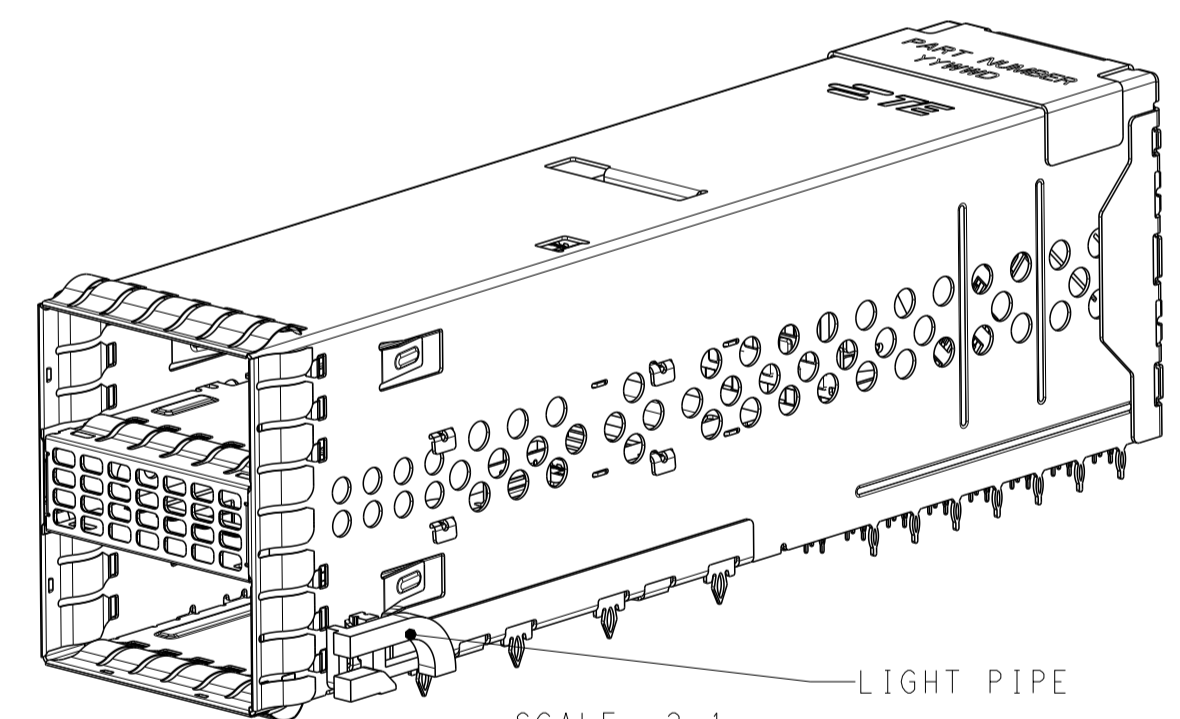
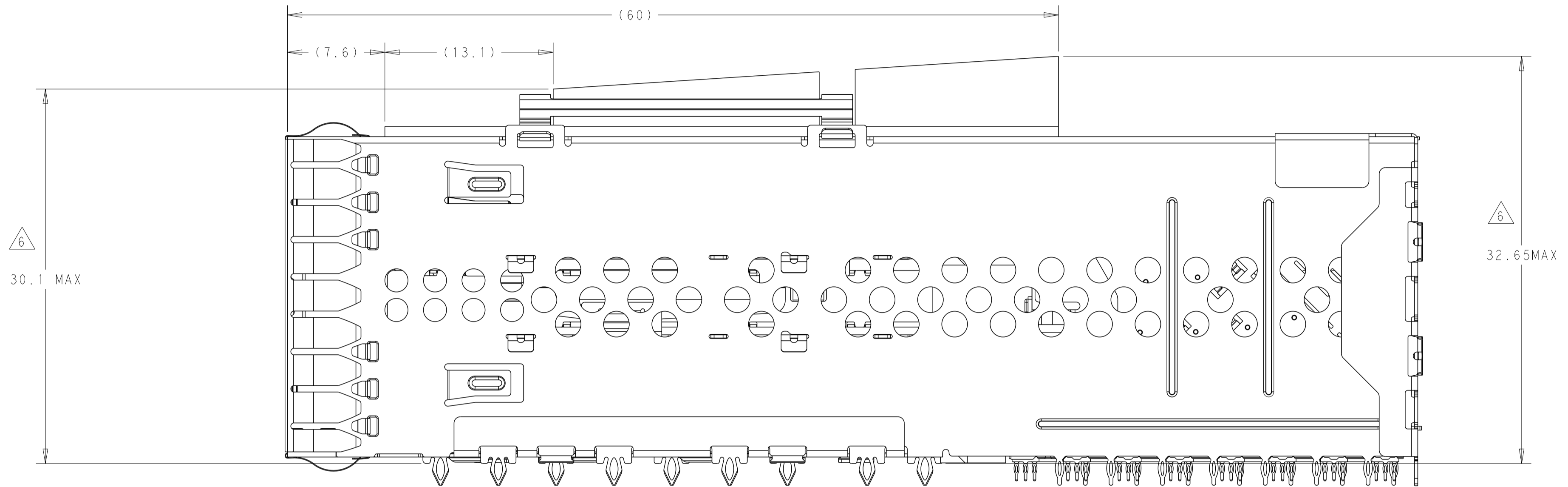
REVISIONS				
P.	LTN.	DESCRIPTION	DATE	APVD.
-	-	SEE SHEET 1	-	-



SCALE 2:1

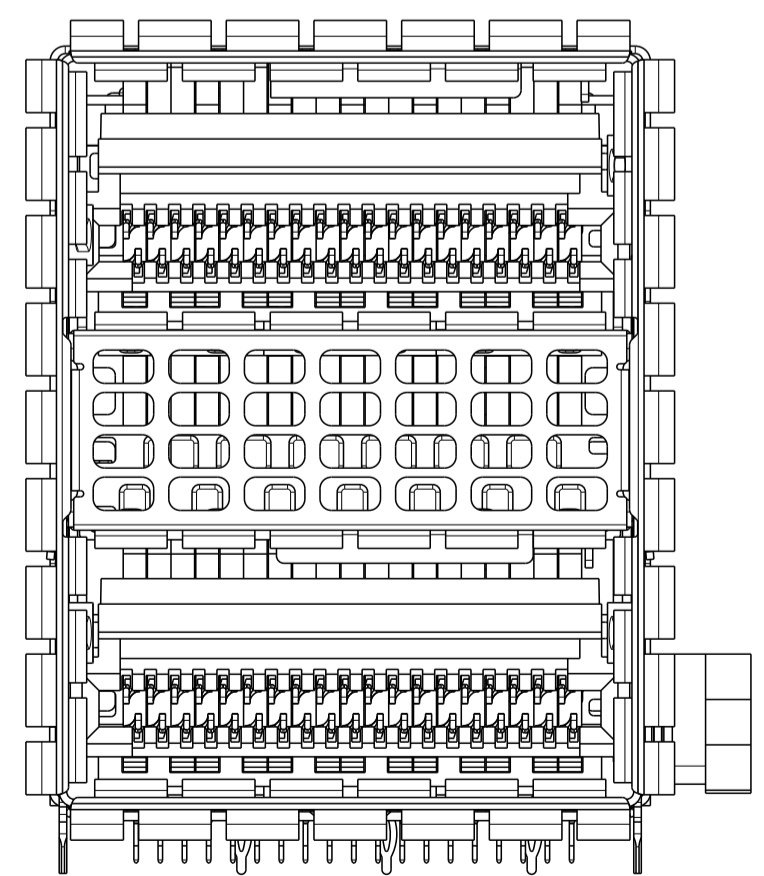


2-2340397-1 AS SHOWN
 SAME AS -1 EXCEPT HS
 SCALE 4:1

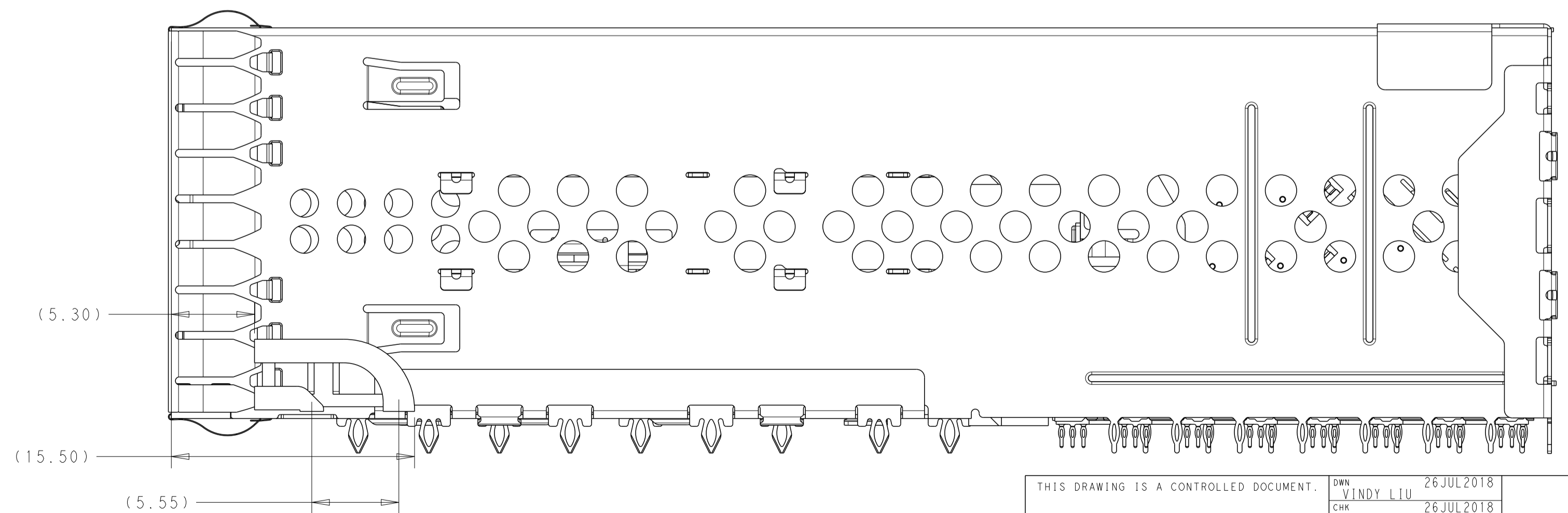


SCALE 2:1

LIGHT PIPE

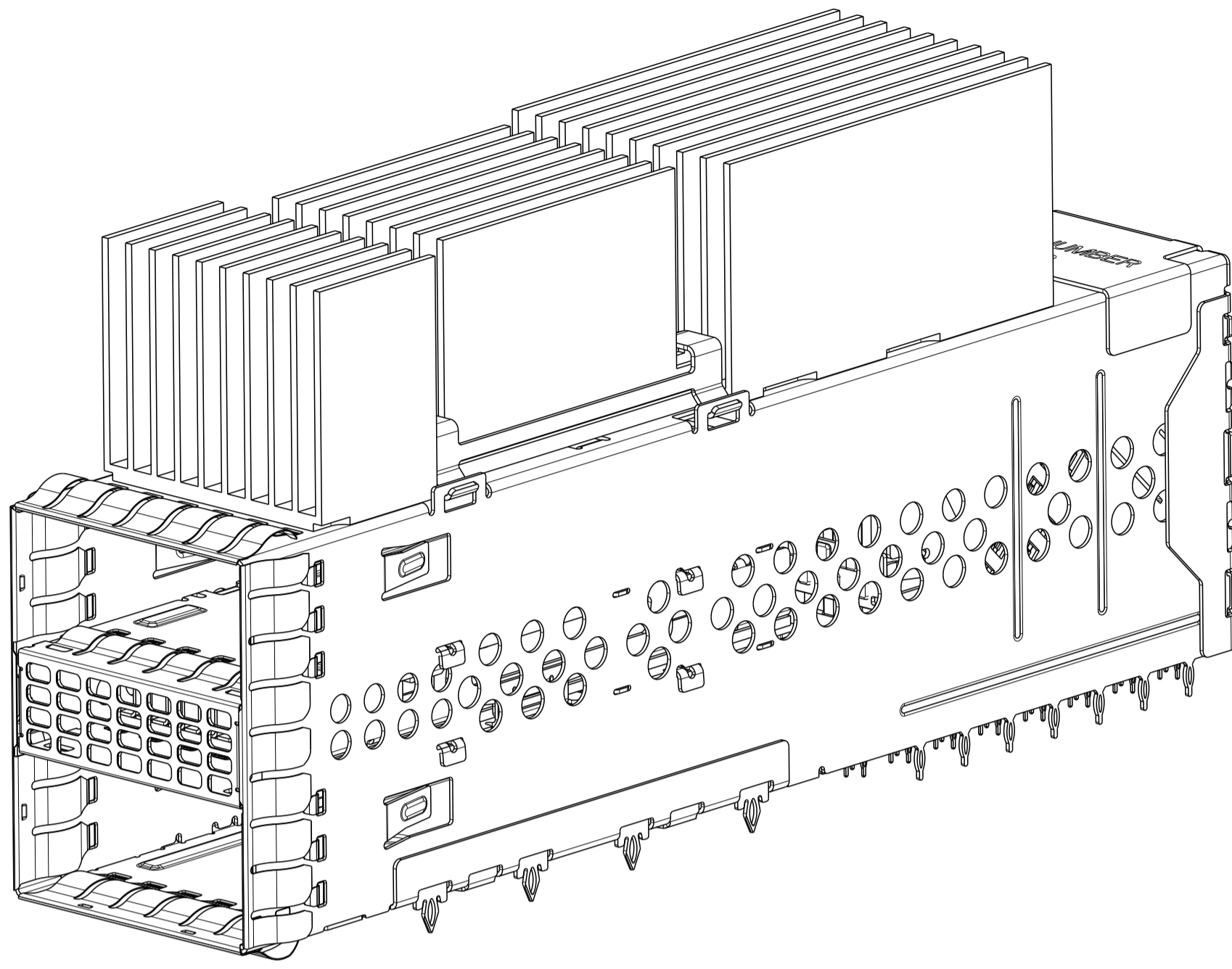


2340397-7 AS SHOWN
 SAME AS -1 EXCEPT W/O HS, W LP
 SCALE 4:1

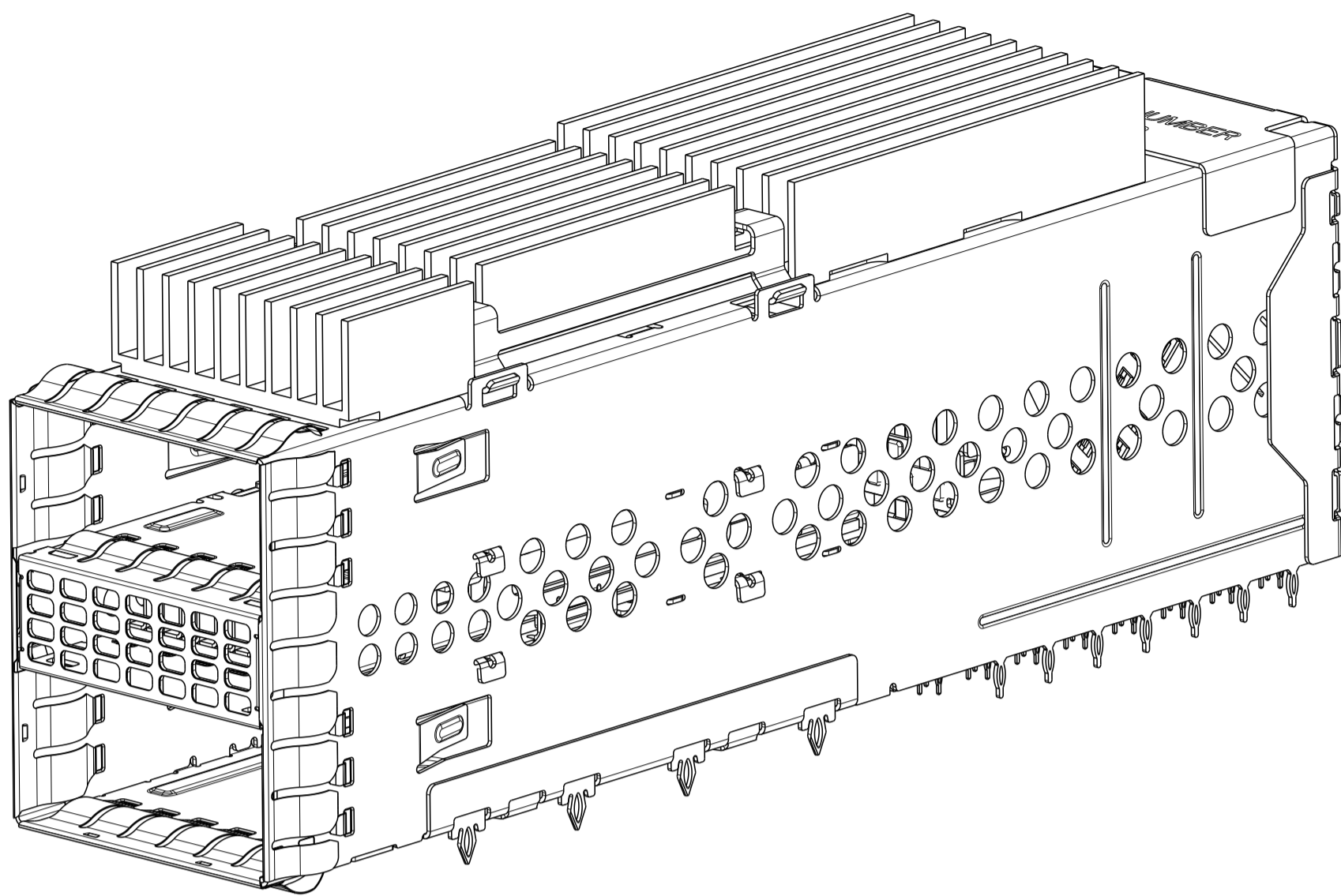


THIS DRAWING IS A CONTROLLED DOCUMENT.		OWN: VINDY LIU 26 JUL 2018	TE Connectivity
		CHK: SEAN HAN 26 JUL 2018	
DIMENSIONS:		TOLERANCES UNLESS OTHERWISE SPECIFIED:	NAME: QSFP-DD 2X1 CAGE ASSEMBLY, WITH EMI SPRING, HEAT SINK
mm	0 PLC ±0.25	1 PLC ±0.25	PRODUCT SPEC: 108-60130
	2 PLC ±0.20	3 PLC ±0.10	APPLICATION SPEC: -
	4 PLC ±	ANGLES ±	SIZE: 114-60028
MATERIAL: TBD	FINISH: -	WEIGHT: -	RESTRICTED TO: -
CUSTOMER DRAWING		SCALE: 1:1	SHEET 2 OF 8 REV A1

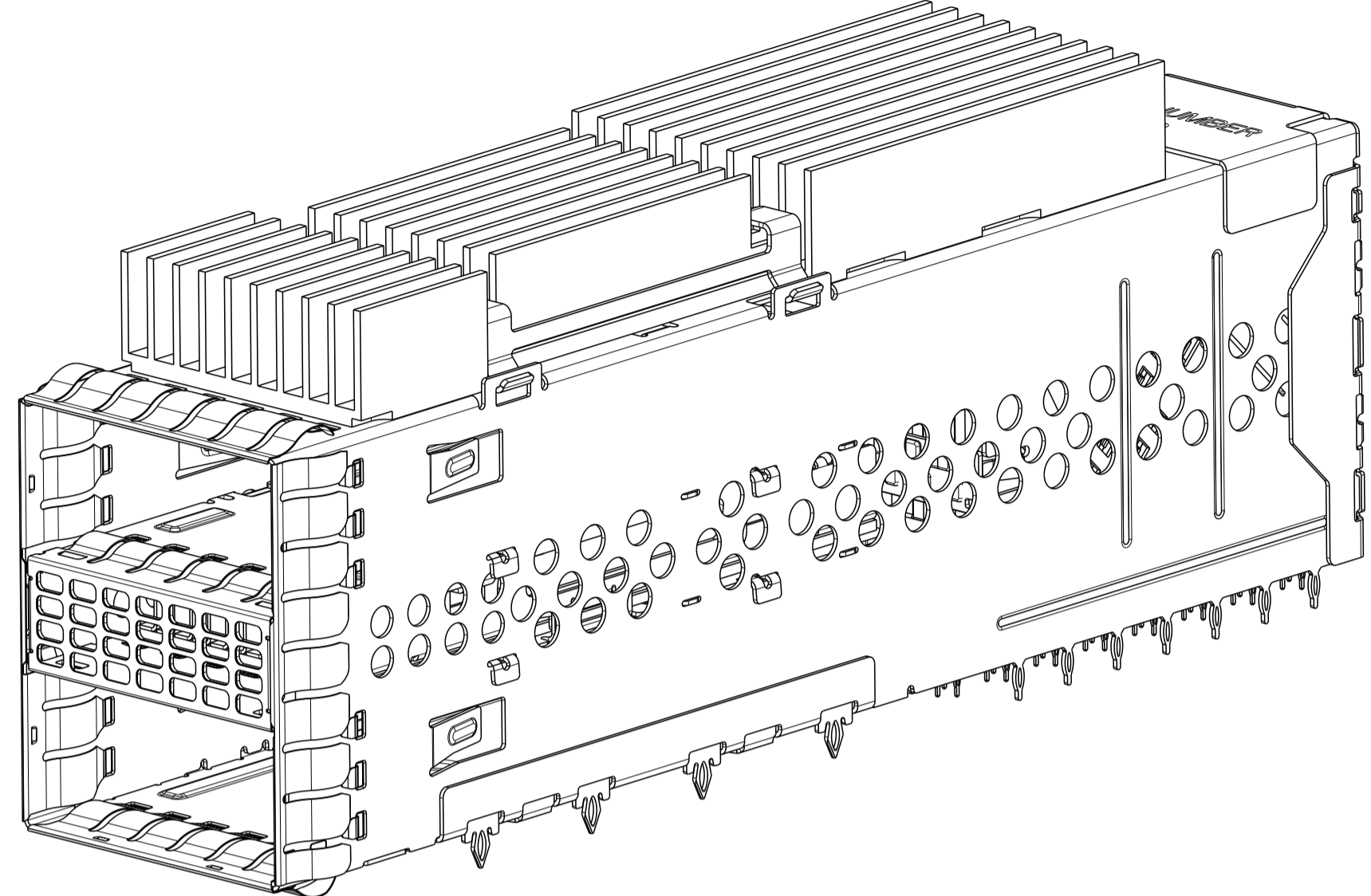
REVISIONS				
P.	LTN.	DESCRIPTION	DATE	APVD.
-	-	SEE SHEET 1	-	-



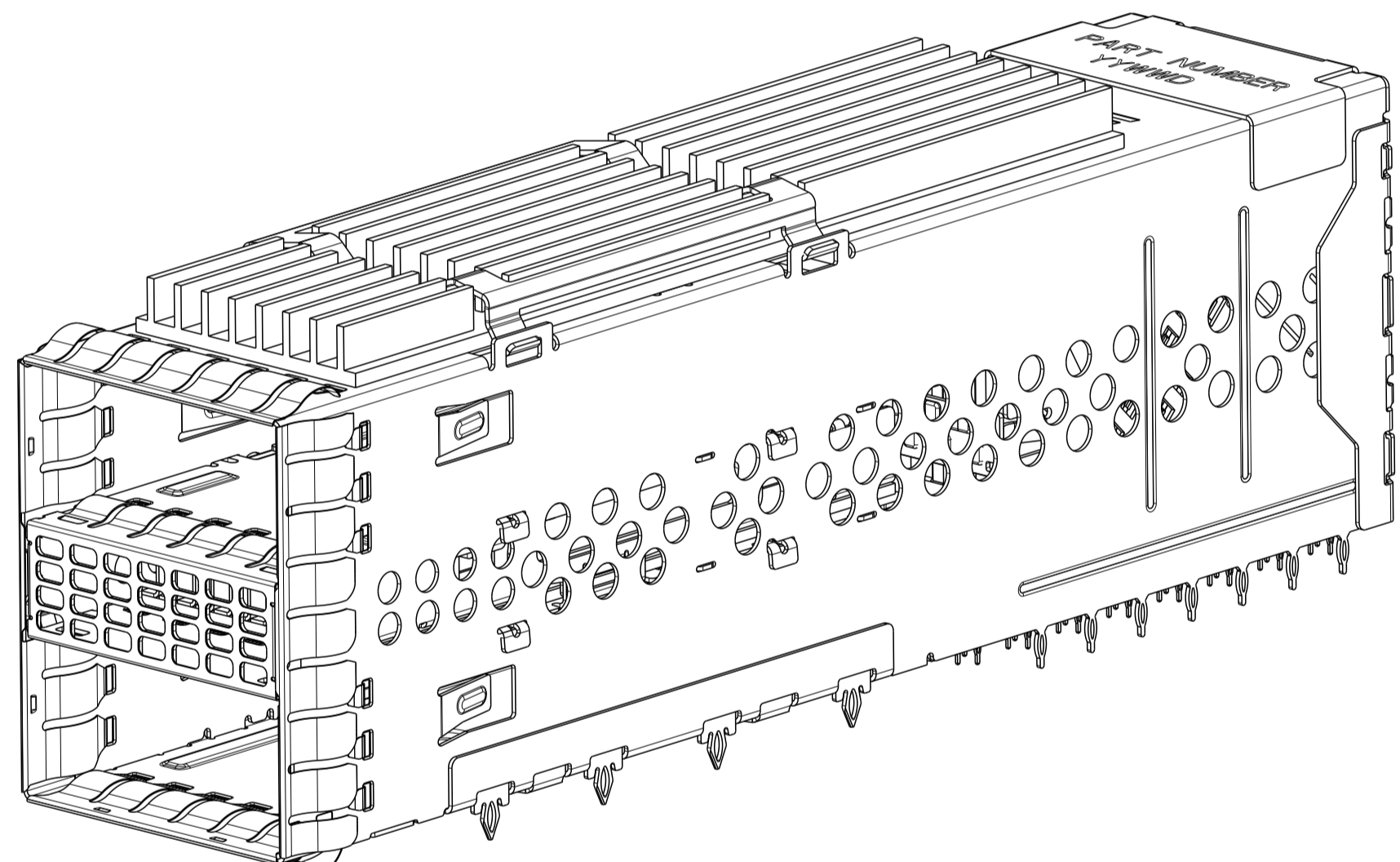
2340397-1
SCALE 3:1



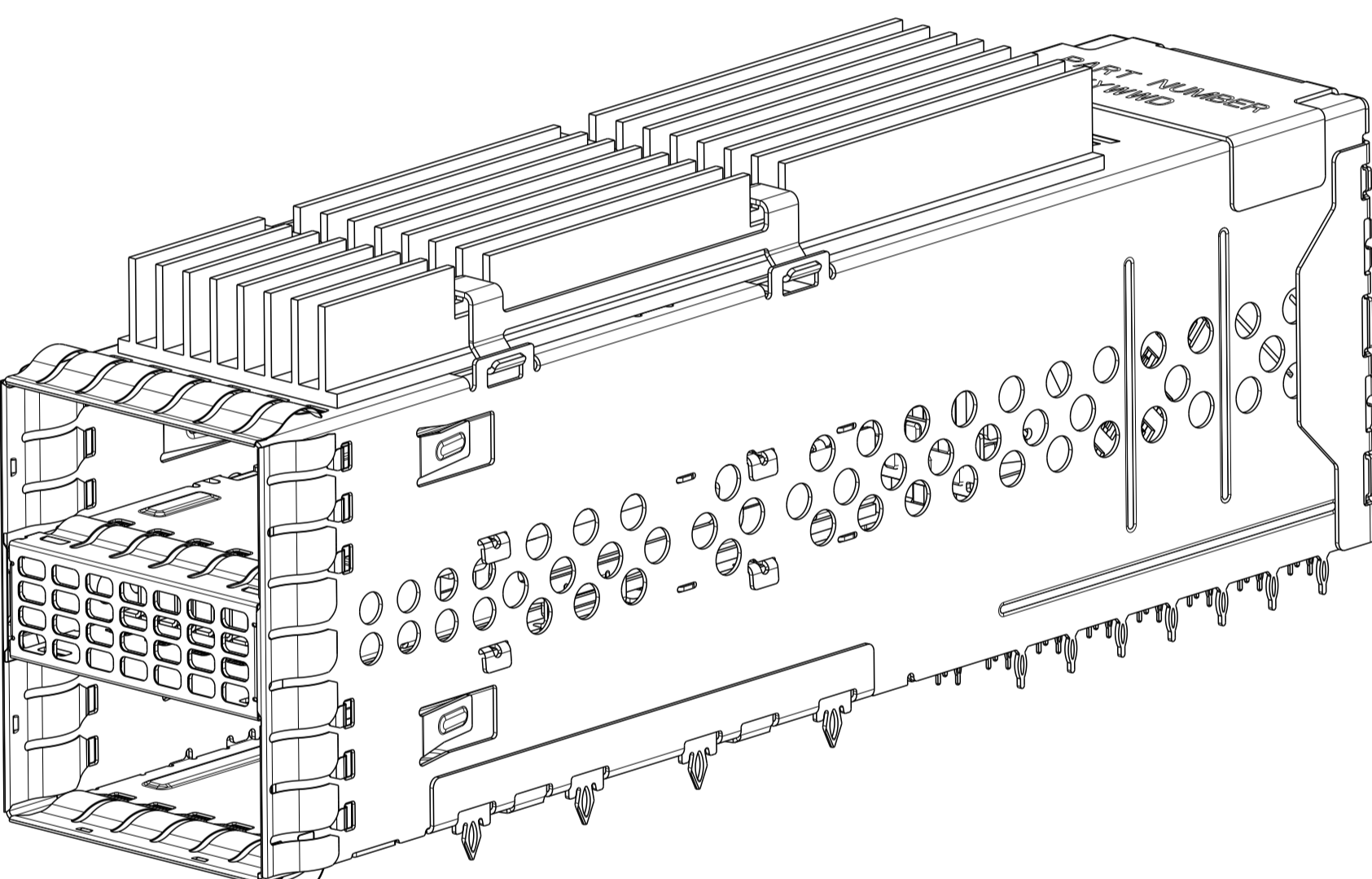
2340397-2
SCALE 3:1



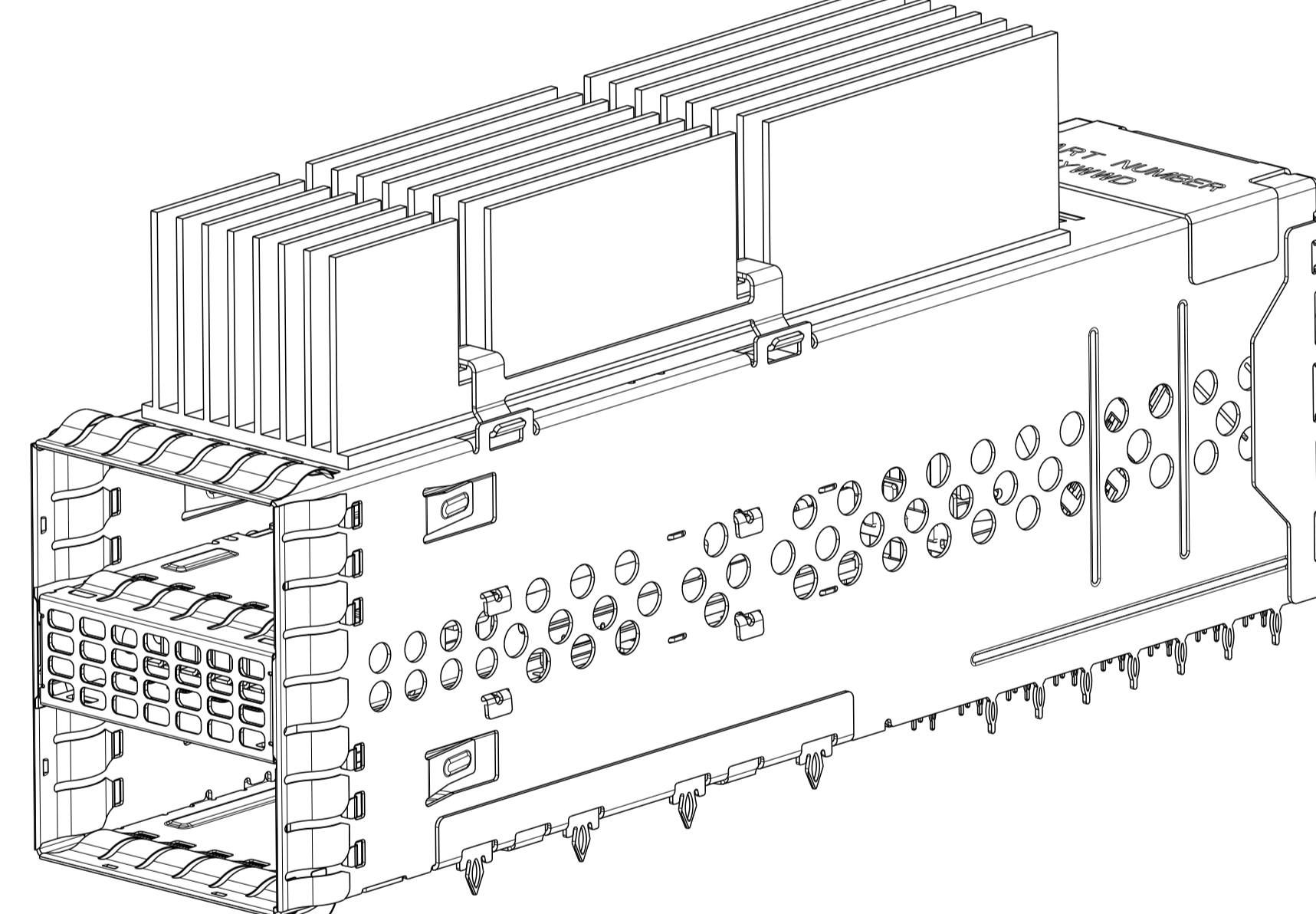
2340397-3
SCALE 3:1



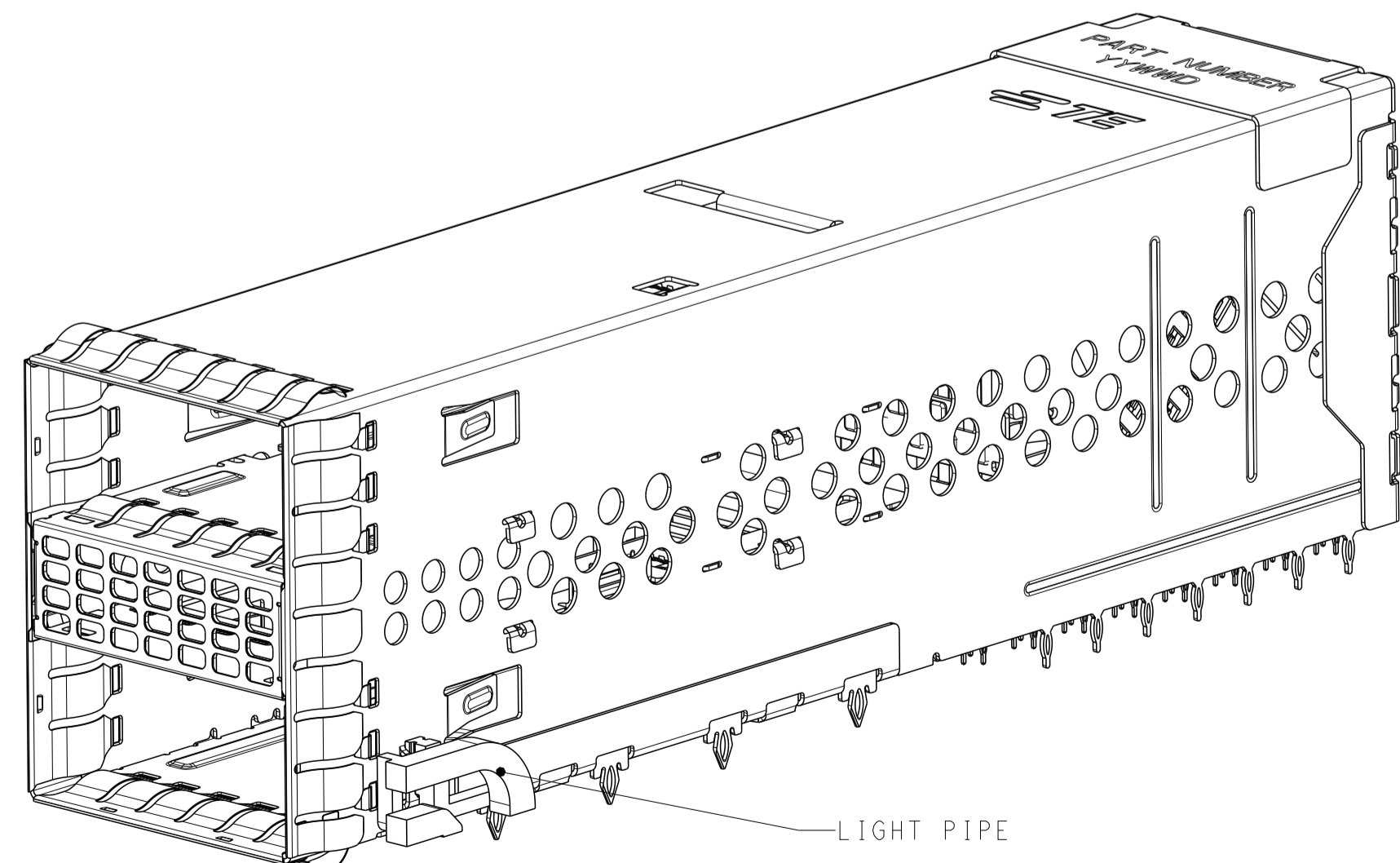
2340397-4
SCALE 3:1



2340397-5
SCALE 3:1



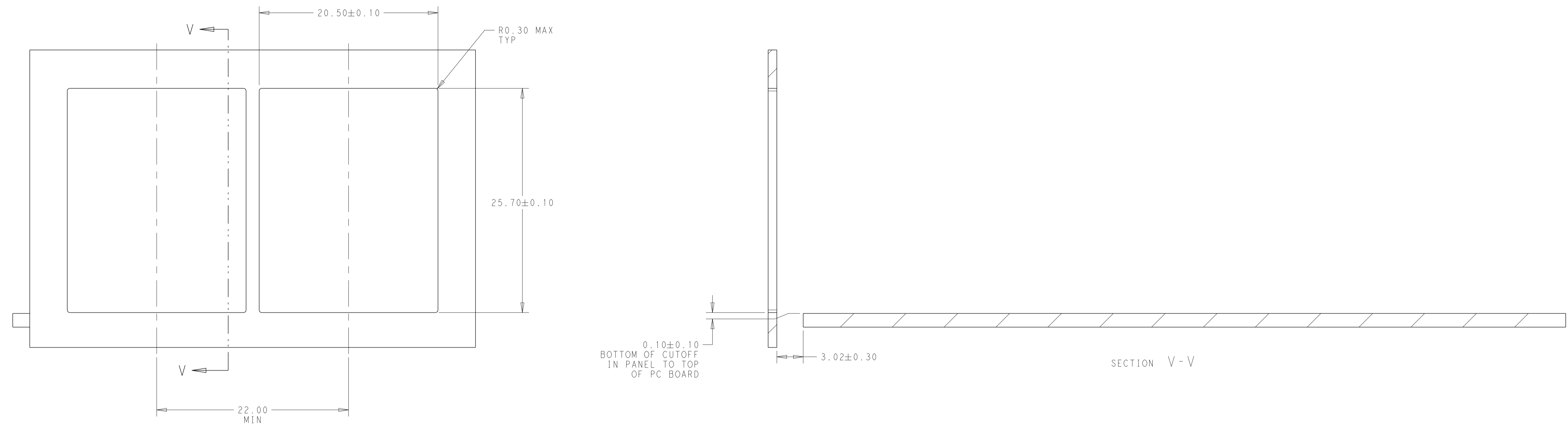
2340397-6
SCALE 3:1



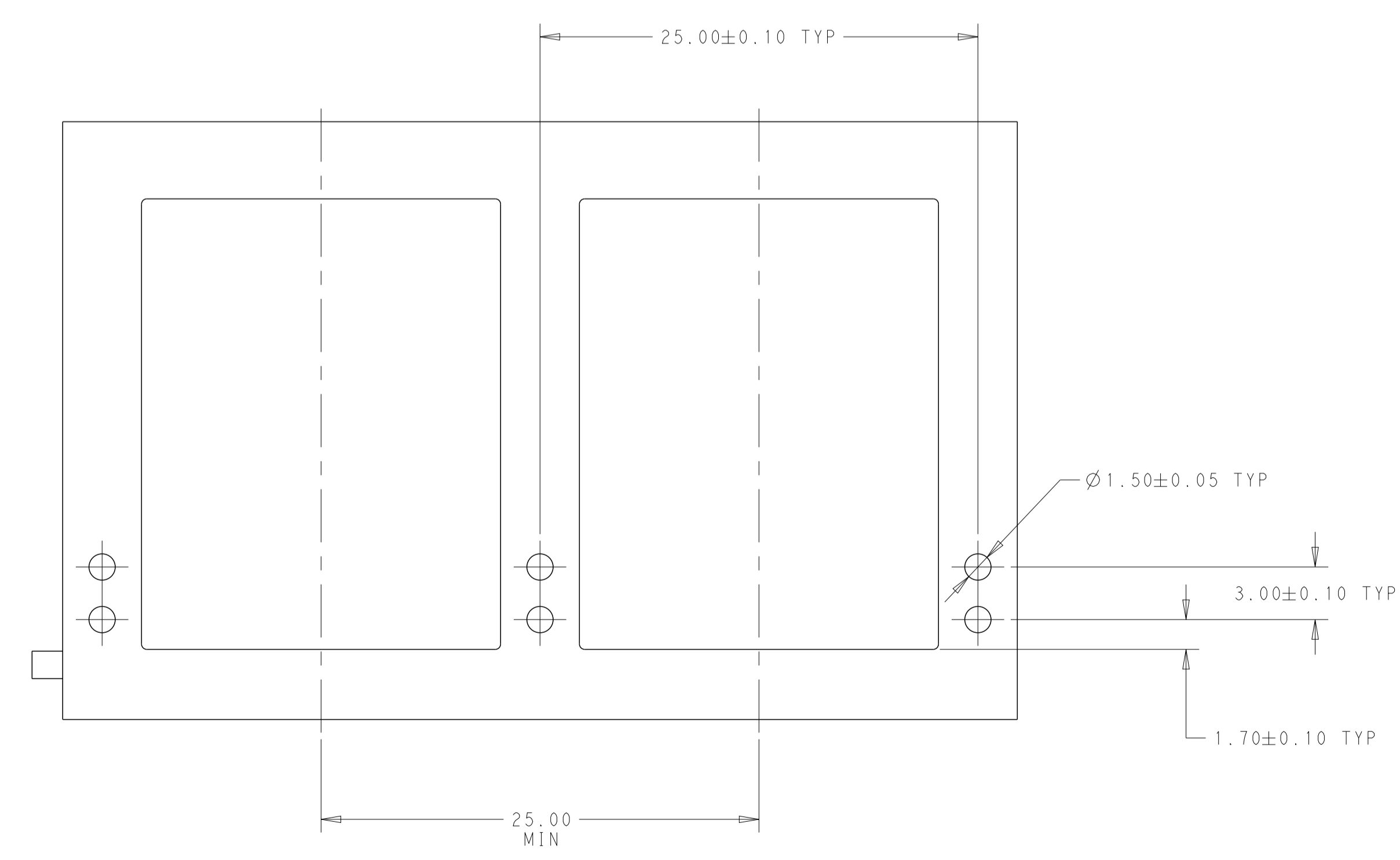
2340397-7
SCALE 3:1

THIS DRAWING IS A CONTROLLED DOCUMENT.		OWN: VINDY LIU 26 JUL 2018	
		CHK: SEAN HAN 26 JUL 2018	
DIMENSIONS:		TOLERANCES UNLESS OTHERWISE SPECIFIED:	NAME: QSFP-DD 2X1 CAGE ASSEMBLY, WITH EMI SPRING, HEAT SINK
mm	0 PLC ±0.25	1 PLC ±0.25	PRODUCT SPEC: 108-60130
	2 PLC ±0.20	3 PLC ±0.10	APPLICATION SPEC: 114-60028
	4 PLC ±	ANGLES ±	SIZE: CAGE CODE DRAWING NO: A100779C=2340397
MATERIAL: TBD	FINISH: -	WEIGHT: -	RESTRICTED TO: -
		CUSTOMER DRAWING	SCALE: 1:1 SHEET 3 OF 8 REV: A1

REVISIONS				
P	LTN	DESCRIPTION	DATE	APVD
-	-	SEE SHEET 1	-	-



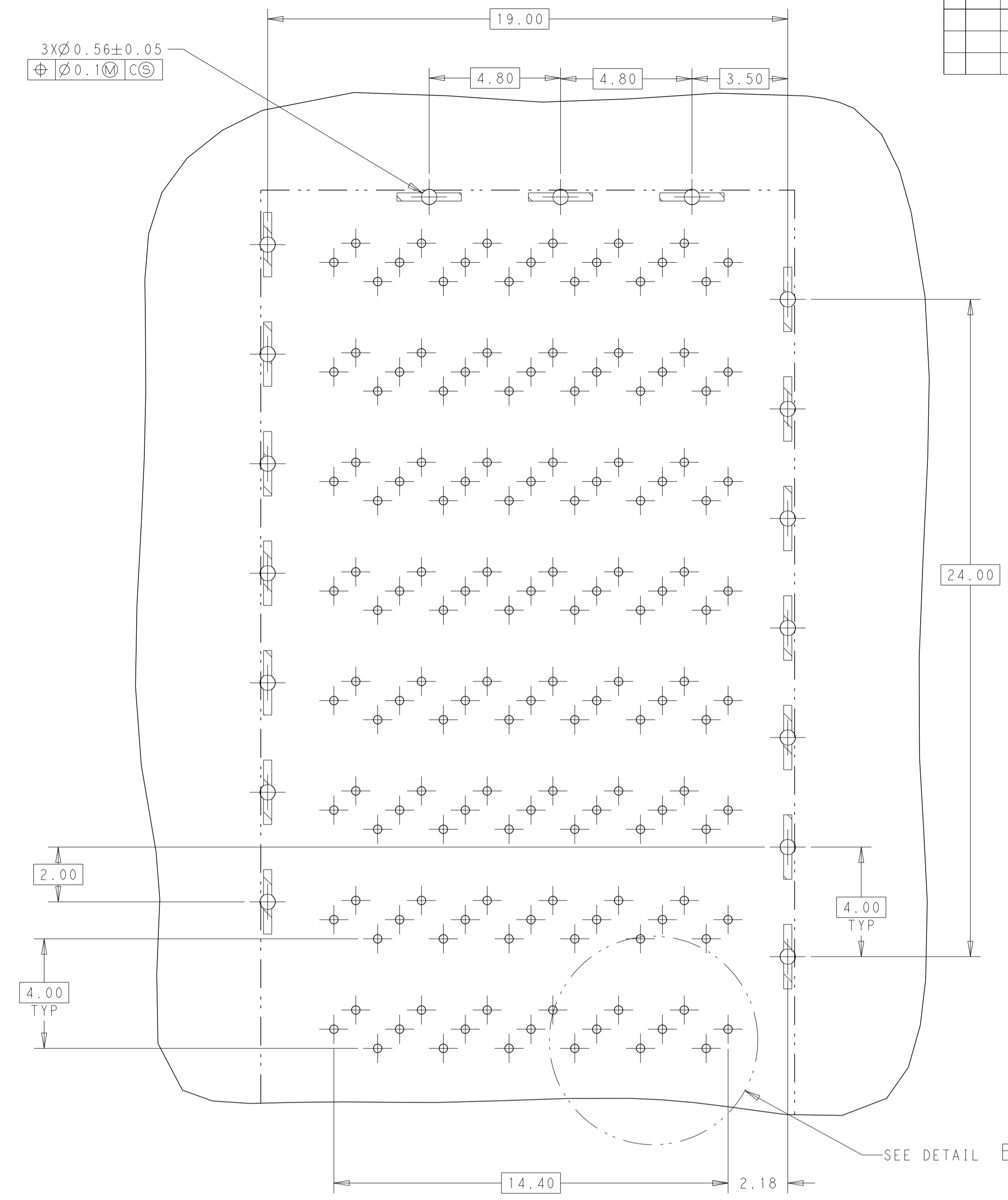
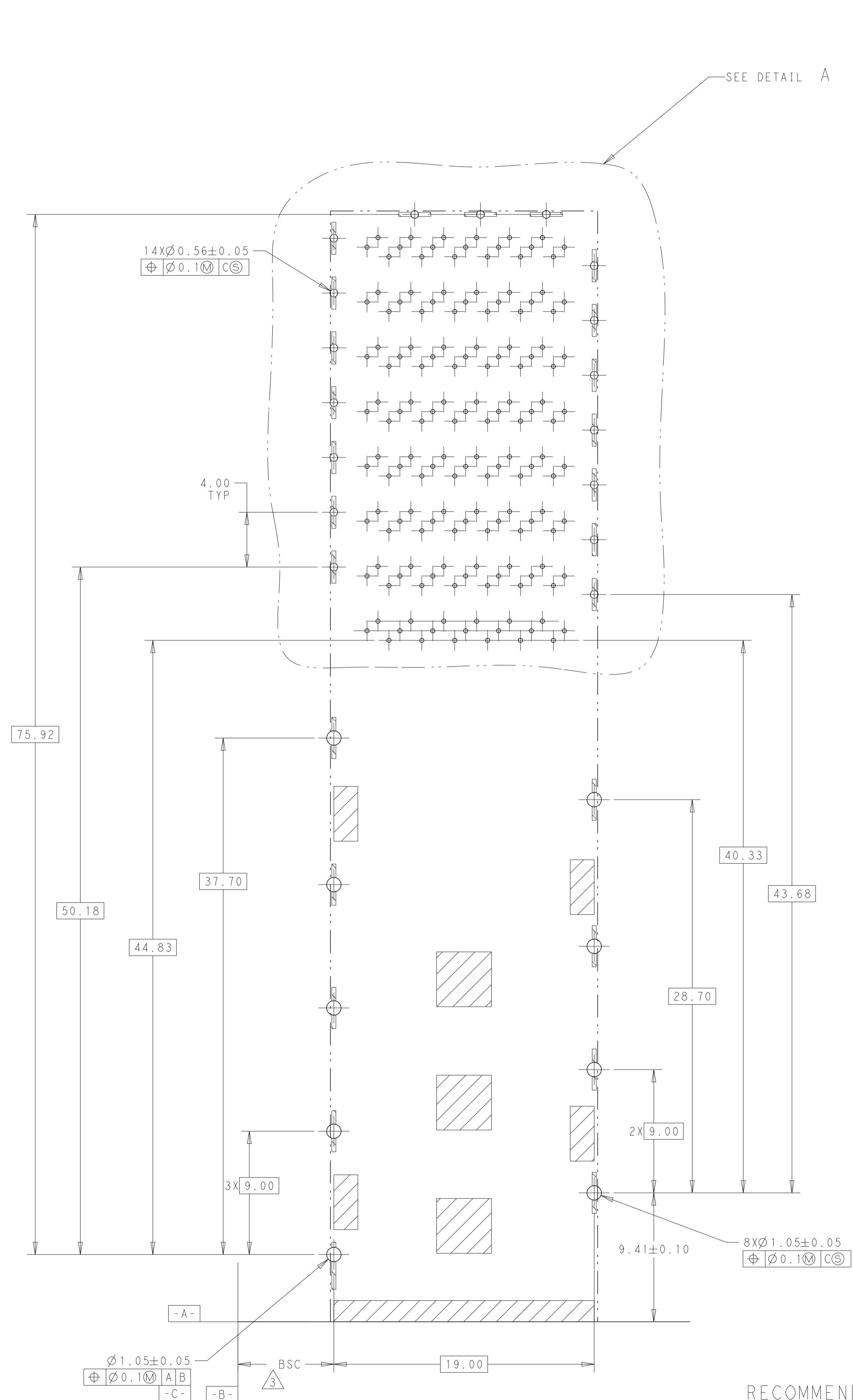
RECOMMENDED PANEL CUTOUT AND PC BOARD, PANEL POSITION



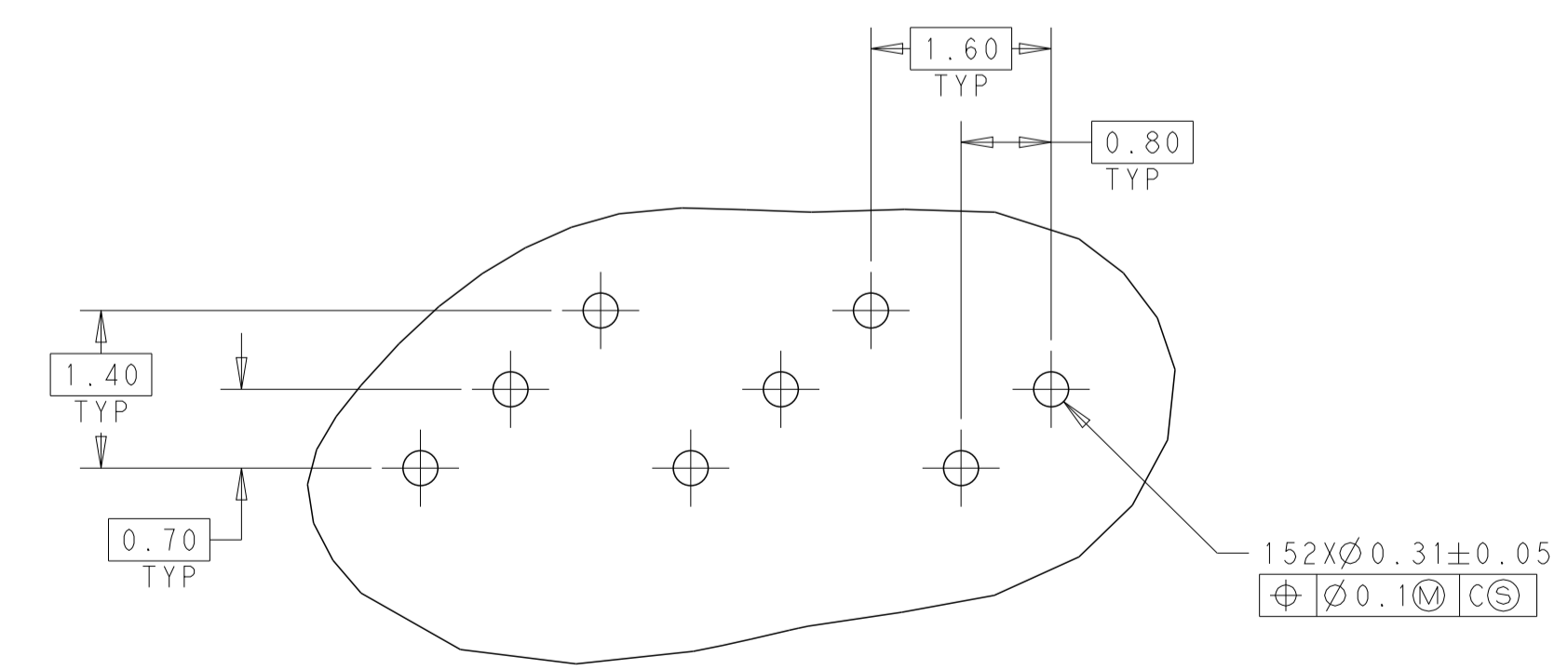
PANEL DIMENSIONS FOR 2340397-7
 OTHERS SEE RECOMMENDED PANEL CUTOUT
 SCALE 4:1

THIS DRAWING IS A CONTROLLED DOCUMENT.		DWN VINDY LIU 26 JUL 2018	TE Connectivity														
		CHK SEAN HAN 26 JUL 2018															
DIMENSIONS:		APVD -															
mm		PRODUCT SPEC															
<table border="1"> <tr> <td>0 PLC</td> <td>±0.25</td> </tr> <tr> <td>1 PLC</td> <td>±0.25</td> </tr> <tr> <td>2 PLC</td> <td>±0.20</td> </tr> <tr> <td>3 PLC</td> <td>±0.10</td> </tr> <tr> <td>4 PLC</td> <td>±</td> </tr> <tr> <td>ANGLES</td> <td>±</td> </tr> <tr> <td>FINISH</td> <td>±</td> </tr> </table>		0 PLC	±0.25	1 PLC	±0.25	2 PLC	±0.20	3 PLC	±0.10	4 PLC	±	ANGLES	±	FINISH	±	NAME	
0 PLC	±0.25																
1 PLC	±0.25																
2 PLC	±0.20																
3 PLC	±0.10																
4 PLC	±																
ANGLES	±																
FINISH	±																
MATERIAL		108-60130															
TBD		APPLICATION SPEC															
		114-60028															
		WEIGHT															
		A100779C=2340397															
		CUSTOMER DRAWING															
		SCALE 1:1 SHEET 4 OF 8 REV A1															

REVISIONS				
P.	LTN.	DESCRIPTION	DATE	APVD.
-	-	SEE SHEET 1	-	-



DETAIL A
 SCALE 8:1

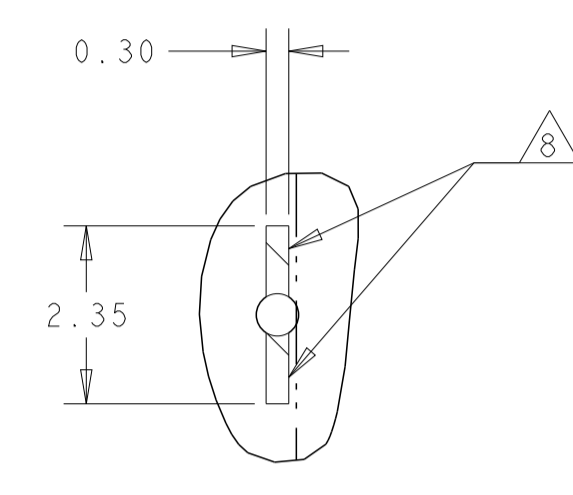
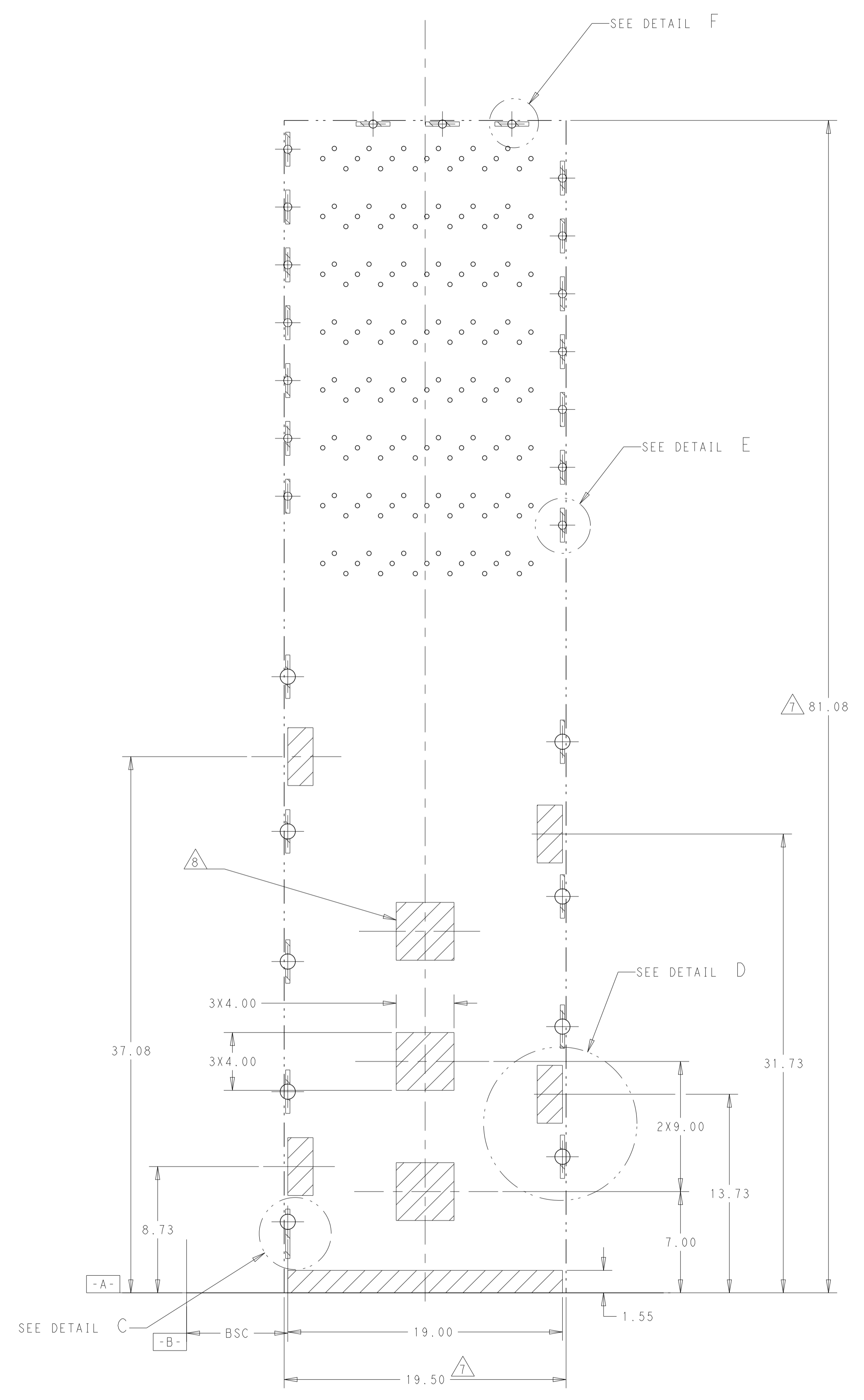


DETAIL B
 SCALE 16:1

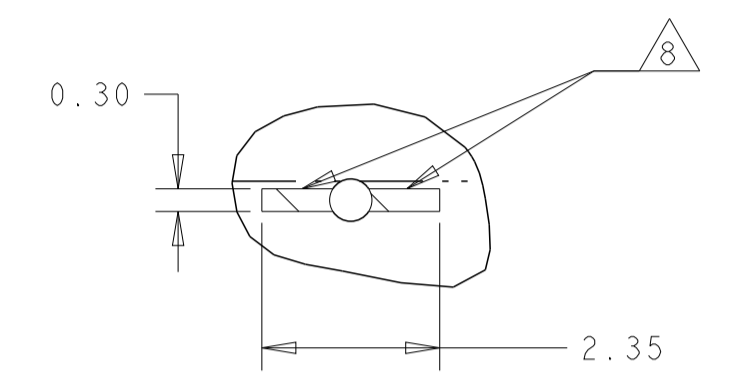
RECOMMENDED PC BOARD LAYOUT FOR SINGLE TYPE
 COMPONENT SIDE OF BOARD
 (PCB TOLERANCE: ± 0.05)

THIS DRAWING IS A CONTROLLED DOCUMENT.		DWN: VINDY LIU 26 JUL 2018 CHK: SEAN HAN 26 JUL 2018 APVD:	TE Connectivity
DIMENSIONS: mm 	TOLERANCES UNLESS OTHERWISE SPECIFIED: 0 PLC ± 0.25 1 PLC ± 0.25 2 PLC ± 0.20 3 PLC ± 0.10 4 PLC ± 0.10 ANGLES ± 0.10 FINISH:	PRODUCT SPEC: 108-60130 APPLICATION SPEC: 114-60028 WEIGHT:	
MATERIAL: TBD		CUSTOMER DRAWING	SCALE: 1:1 SHEET: 5 OF 8 REV: A1

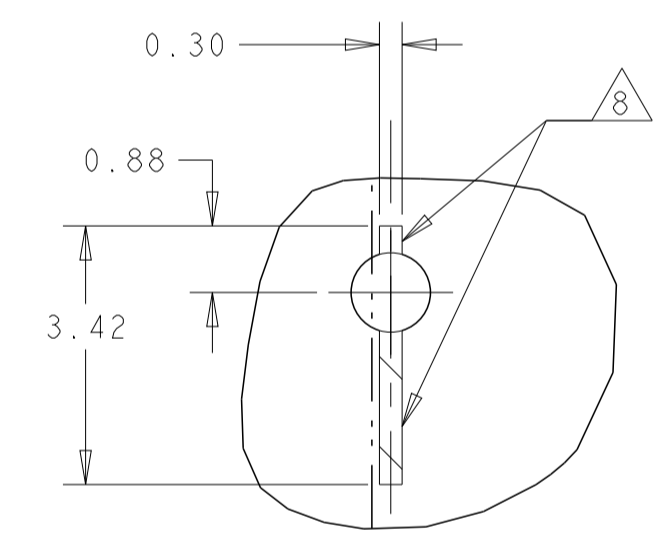
REVISIONS				
P	LTN	DESCRIPTION	DATE	APVD
-	-	SEE SHEET 1	-	-



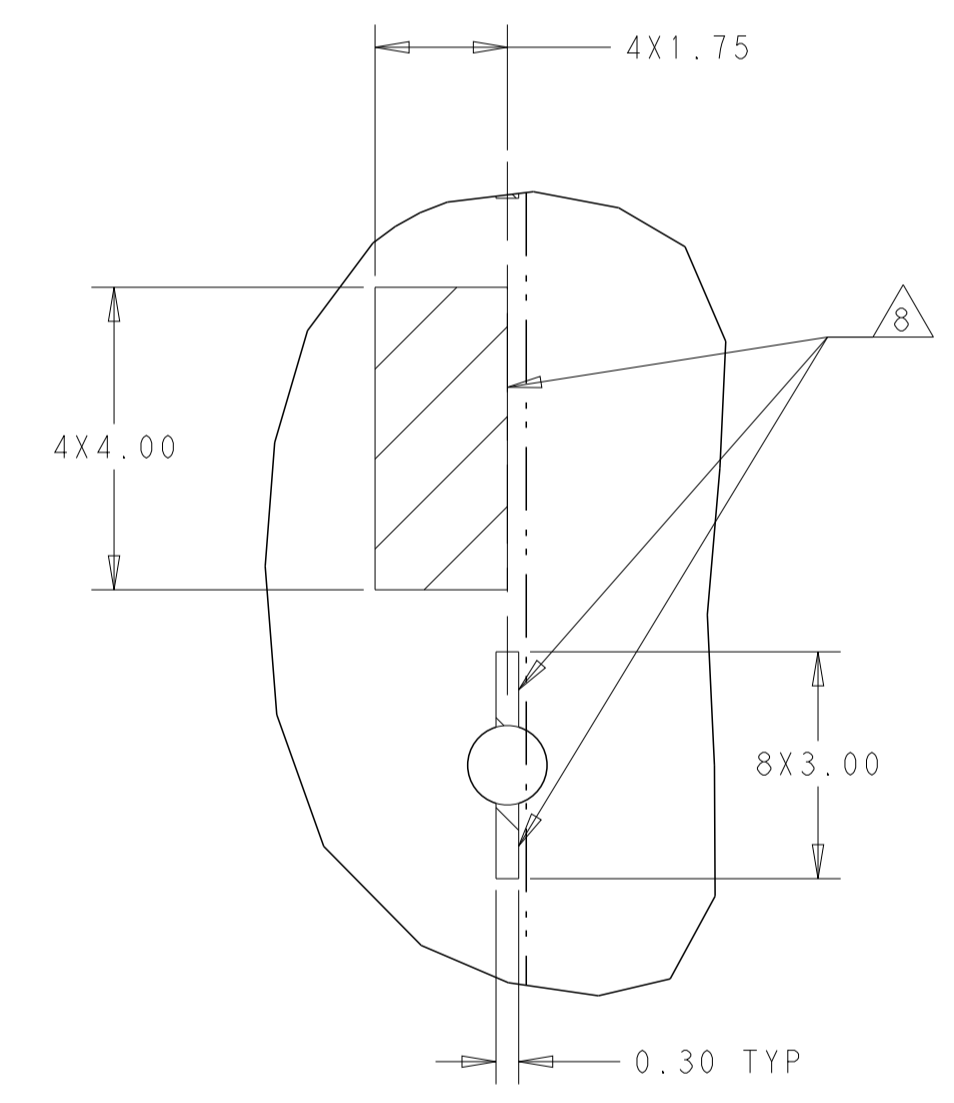
DETAIL E
SCALE 10:1



DETAIL F
SCALE 10:1



DETAIL C
SCALE 10:1



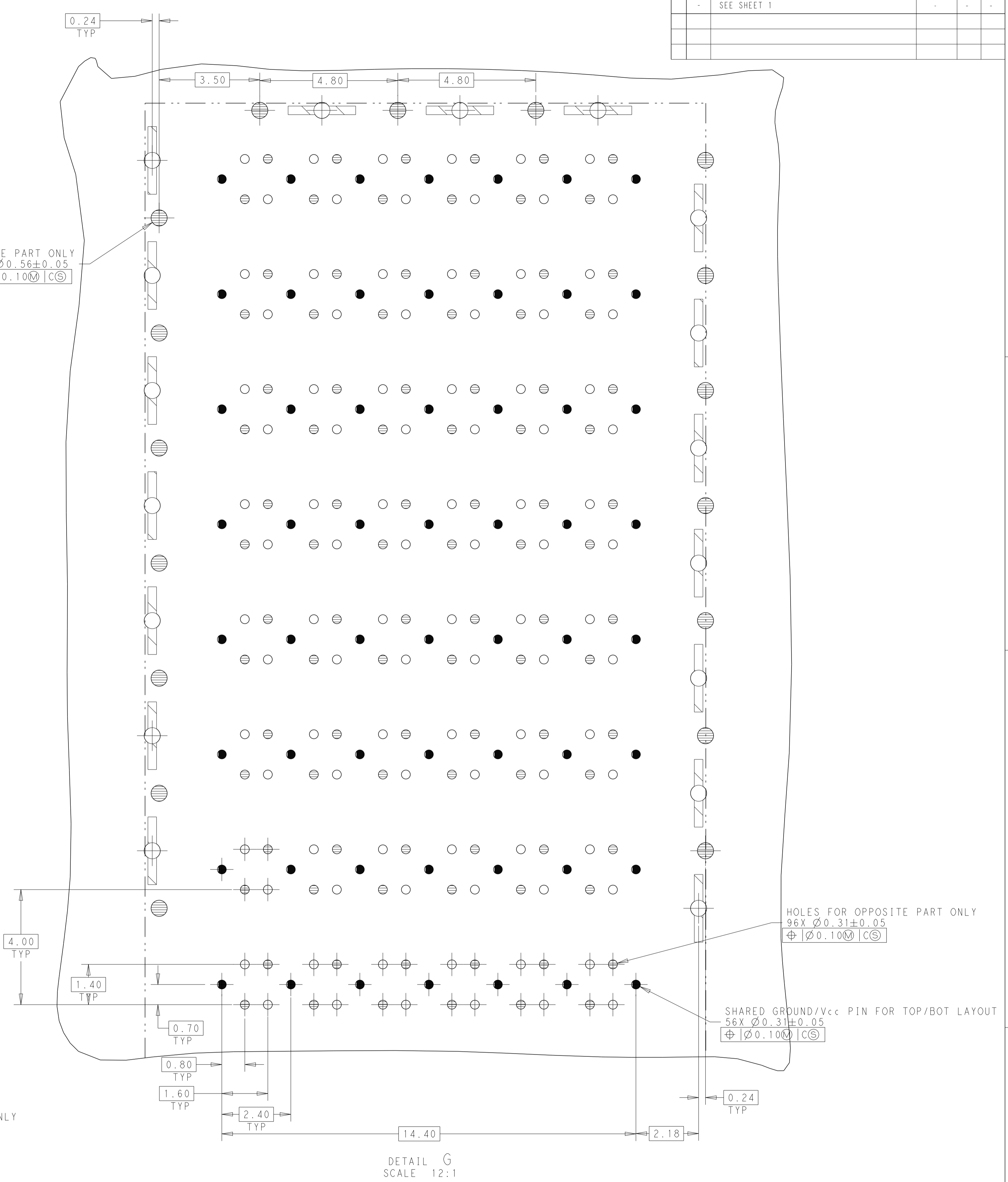
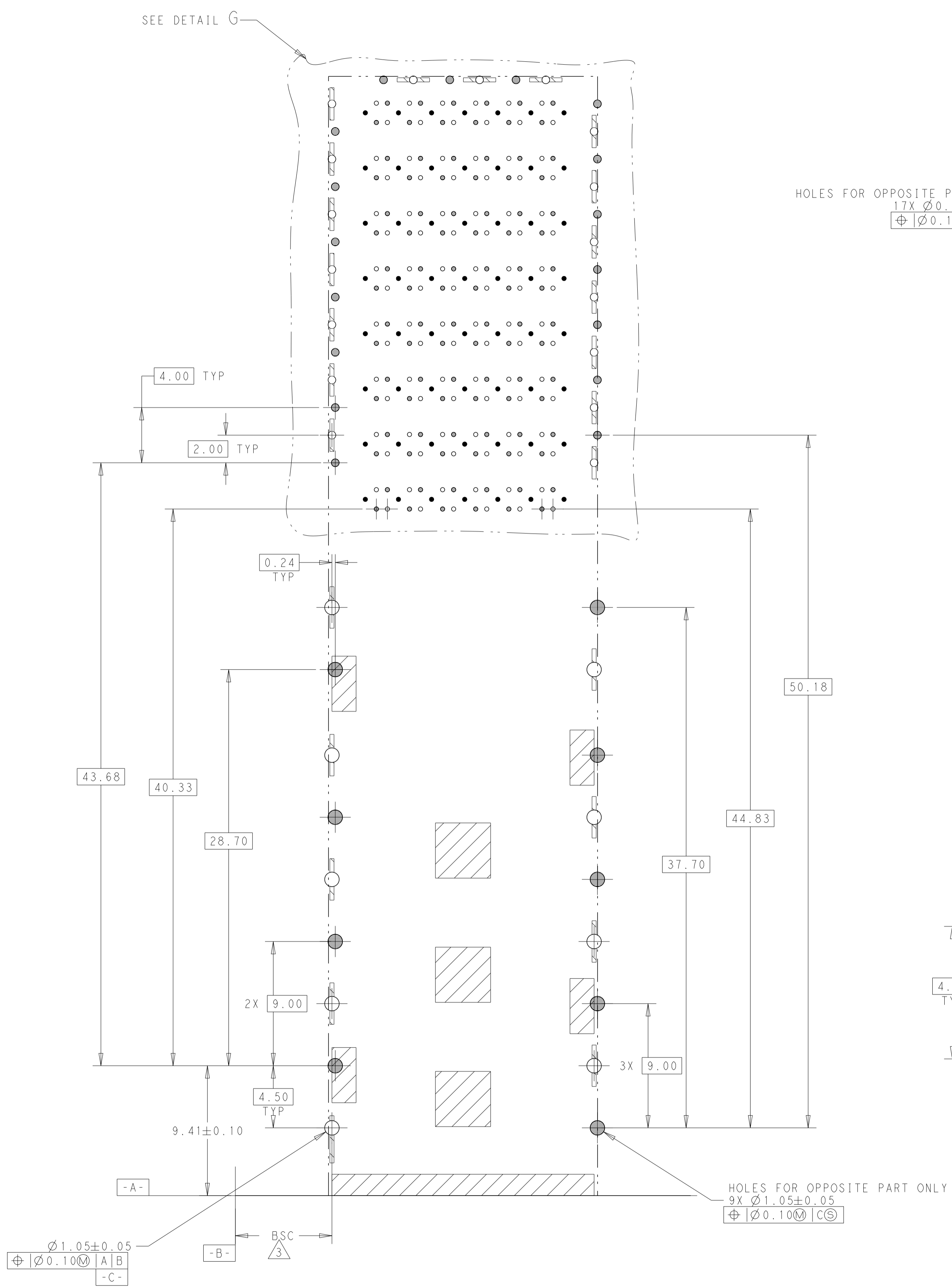
DETAIL D
SCALE 10:1

KEEP OUT AREAS FOR SINGLE TYPE
 COMPONENT SIDE OF BOARD
 (PCB TOLERANCE: ±0.05)

THIS DRAWING IS A CONTROLLED DOCUMENT.		OWN: VINDY LIU 26 JUL 2018	TE Connectivity	
DIMENSIONS: mm		CHK: SEAN HAN 26 JUL 2018	NAME: QSFP-DD 2X1 CAGE ASSEMBLY, WITH EMI SPRING, HEAT SINK	
TOLERANCES UNLESS OTHERWISE SPECIFIED:		APVD: -	PRODUCT SPEC: 108-60130	
0 PLC ±0.25		APPLICATION SPEC: -		
1 PLC ±0.25		SIZE: 114-60028		
2 PLC ±0.20		CAGE CODE: A100779		
3 PLC ±0.10		DRAWING NO: C=2340397		
4 PLC ±		RESTRICTED TO: -		
ANGLES: ±		WEIGHT: -		
FINISH: -		CUSTOMER DRAWING		
MATERIAL: TBD		SCALE: 1:1		
-		SHEET: 6 OF 8		
-		REV: A1		

UNSPECIFIED PCB HOLE LAYOUT AND DIMENSION REFER TO SINGLE TYPE

REVISIONS				
P.	LTN	DESCRIPTION	DATE	APVD
-	-	SEE SHEET 1	-	-

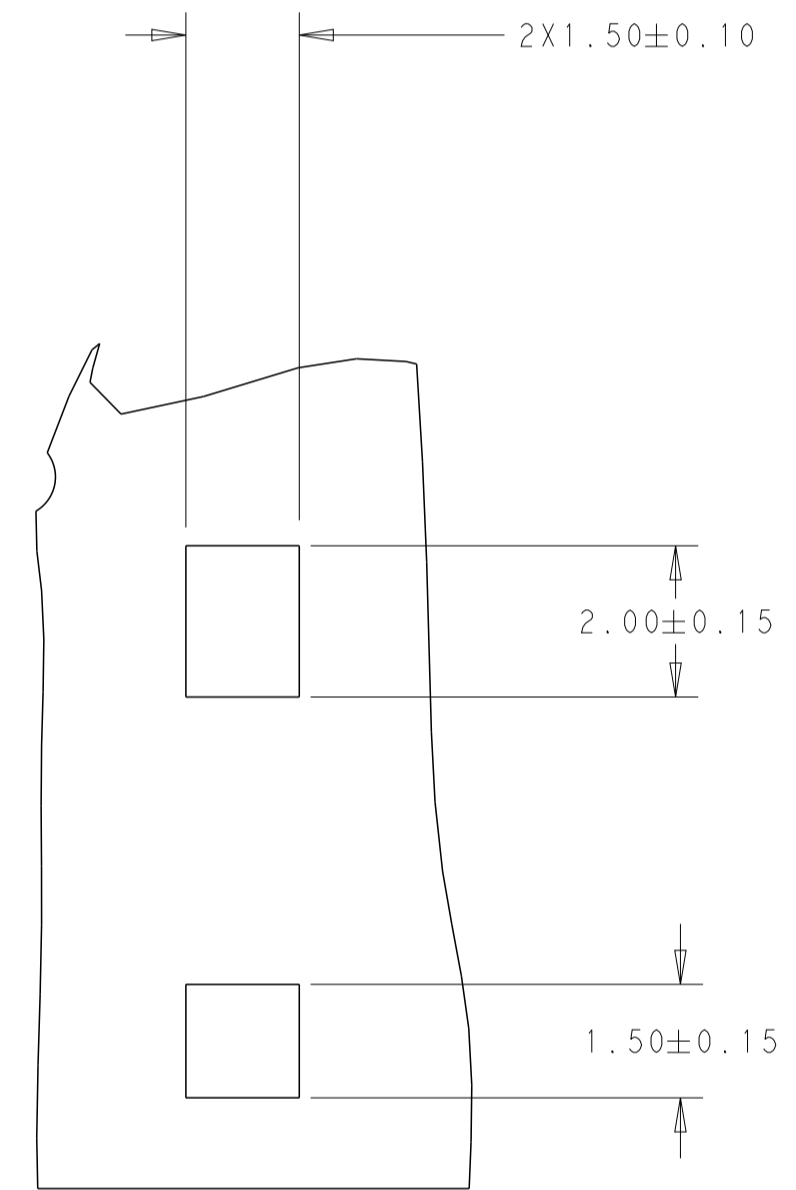
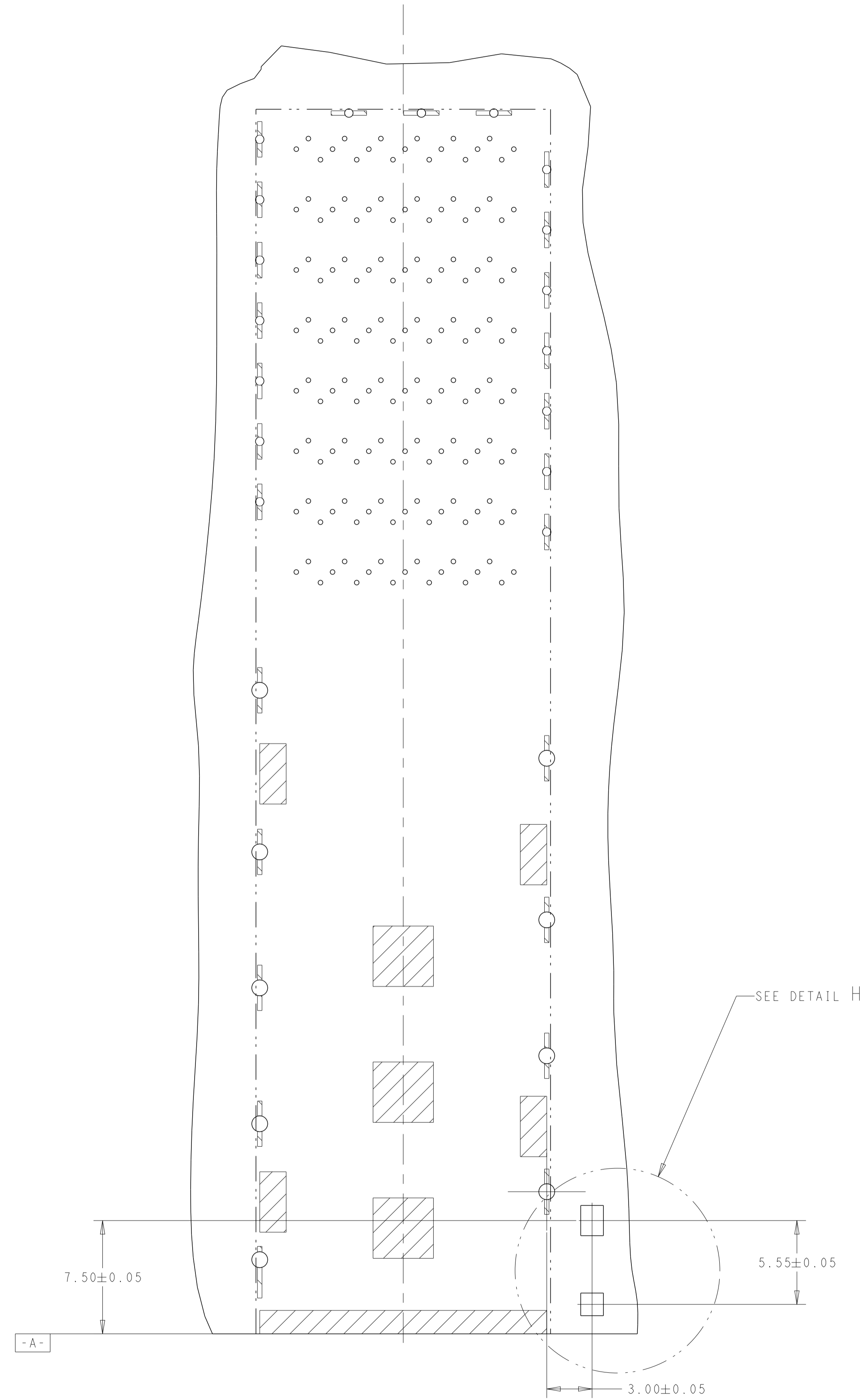


RECOMMENDED PC BOARD LAYOUT FOR BELLY TO BELLY TYPE
TOP COMPONENT SIDE OF BOARD
(PCB TOLERANCE: ±0.05)

THIS DRAWING IS A CONTROLLED DOCUMENT.		OWN: VINDY LIU 26 JUL 2018		TE Connectivity
DIMENSIONS: mm		CHK: SEAN HAN 26 JUL 2018		NAME: QSFP-DD 2X1 CAGE ASSEMBLY, WITH EMI SPRING, HEAT SINK
TOLERANCES UNLESS OTHERWISE SPECIFIED:		APVD: -	PRODUCT SPEC: 108-60130	RESTRICTED TO: -
0 PLC ±0.25		PRODUCT SPEC: 108-60130	APPLICATION SPEC: 114-60028	SIZE: A1
1 PLC ±0.25		APPLICATION SPEC: 114-60028	WEIGHT: -	CAGE CODE: -
2 PLC ±0.20		WEIGHT: -	SCALE: 1:1	DRAWING NO: 2340397
3 PLC ±0.10		CUSTOMER DRAWING	SCALE: 1:1	SHEET 7 OF 8
4 PLC ±		SCALE: 1:1	SHEET 7 OF 8	REV: A1
ANGLES ±		SCALE: 1:1	SHEET 7 OF 8	REV: A1
FINISH: -		SCALE: 1:1	SHEET 7 OF 8	REV: A1

THIS DRAWING IS UNPUBLISHED. RELEASED FOR PUBLICATION
 BY - ALL RIGHTS RESERVED.

REVISIONS				
P.	LTN	DESCRIPTION	DATE	APVD
-	-	SEE SHEET 1	-	-



LED/PC BOARD DIMENSIONS FOR 2340397-7
 OTHERS SEE RECOMMENDED PC BOARD LAYOUT FOR SINGLE TYPE
 SCALE 5:1

THIS DRAWING IS A CONTROLLED DOCUMENT.		DWN: VINDY LIU 26 JUL 2018 CHK: SEAN HAN 26 JUL 2018 APVD: -	STE TE Connectivity
DIMENSIONS: mm 	TOLERANCES UNLESS OTHERWISE SPECIFIED: 0 PLC ± 0.25 1 PLC ± 0.25 2 PLC ± 0.20 3 PLC ± 0.10 4 PLC \pm ANGLES \pm FINISH \pm	PRODUCT SPEC: 108-60130 APPLICATION SPEC: 114-60028 WEIGHT: - CUSTOMER DRAWING	NAME: QSFP-DD 2X1 CAGE ASSEMBLY, WITH EMI SPRING, HEAT SINK SIZE: A1 CAGE CODE: 00779 DRAWING NO: C=2340397 RESTRICTED TO: - SCALE: 1:1 SHEET 8 OF 8 REV A1