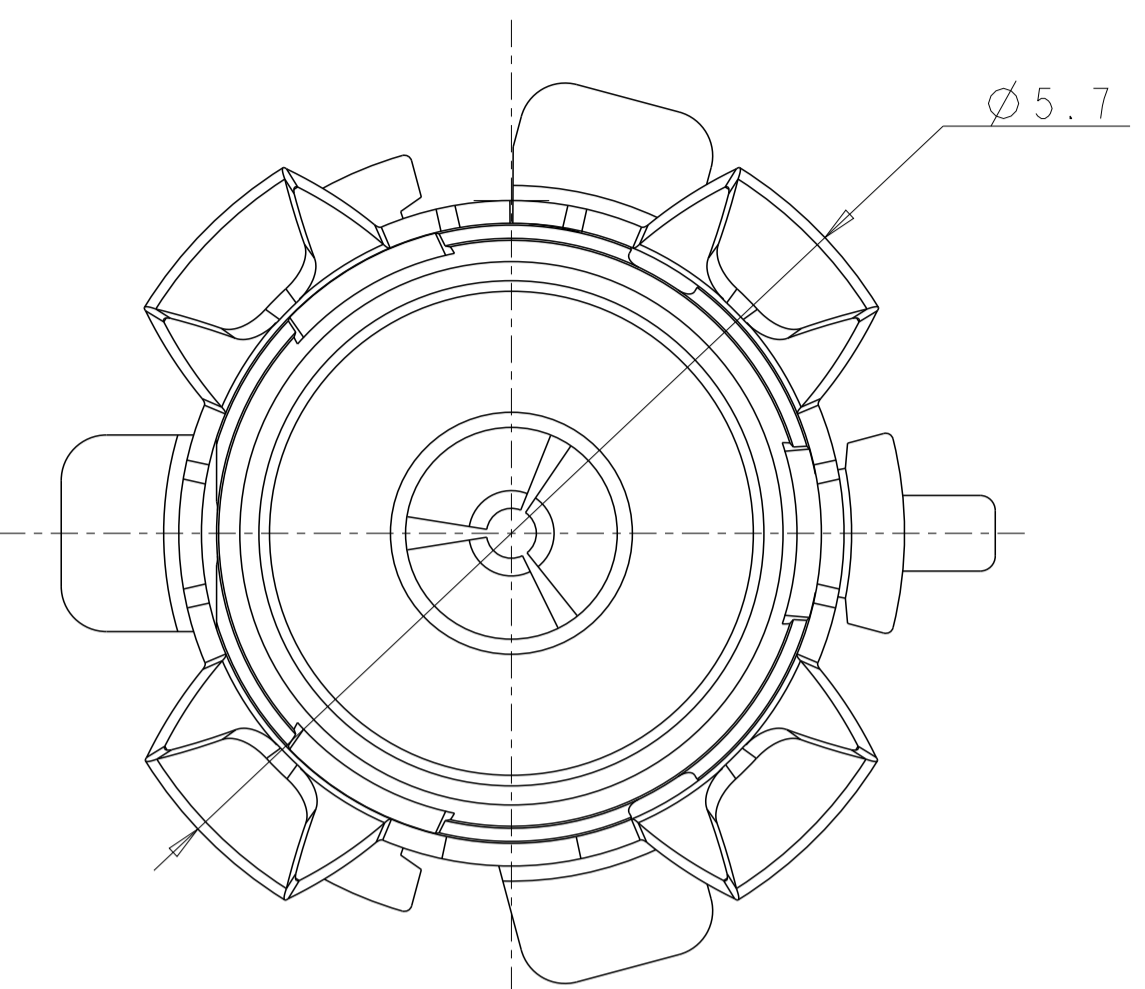
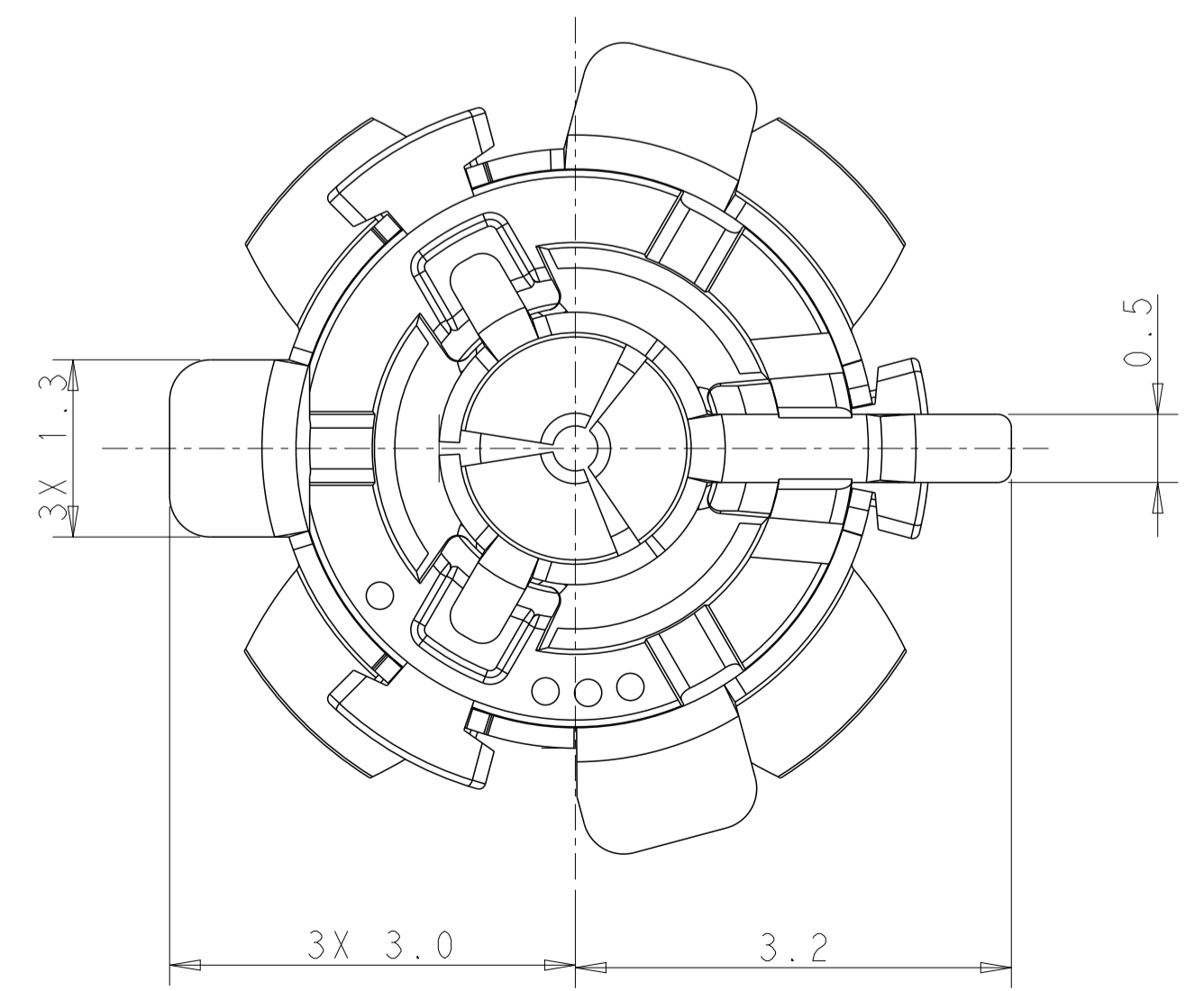
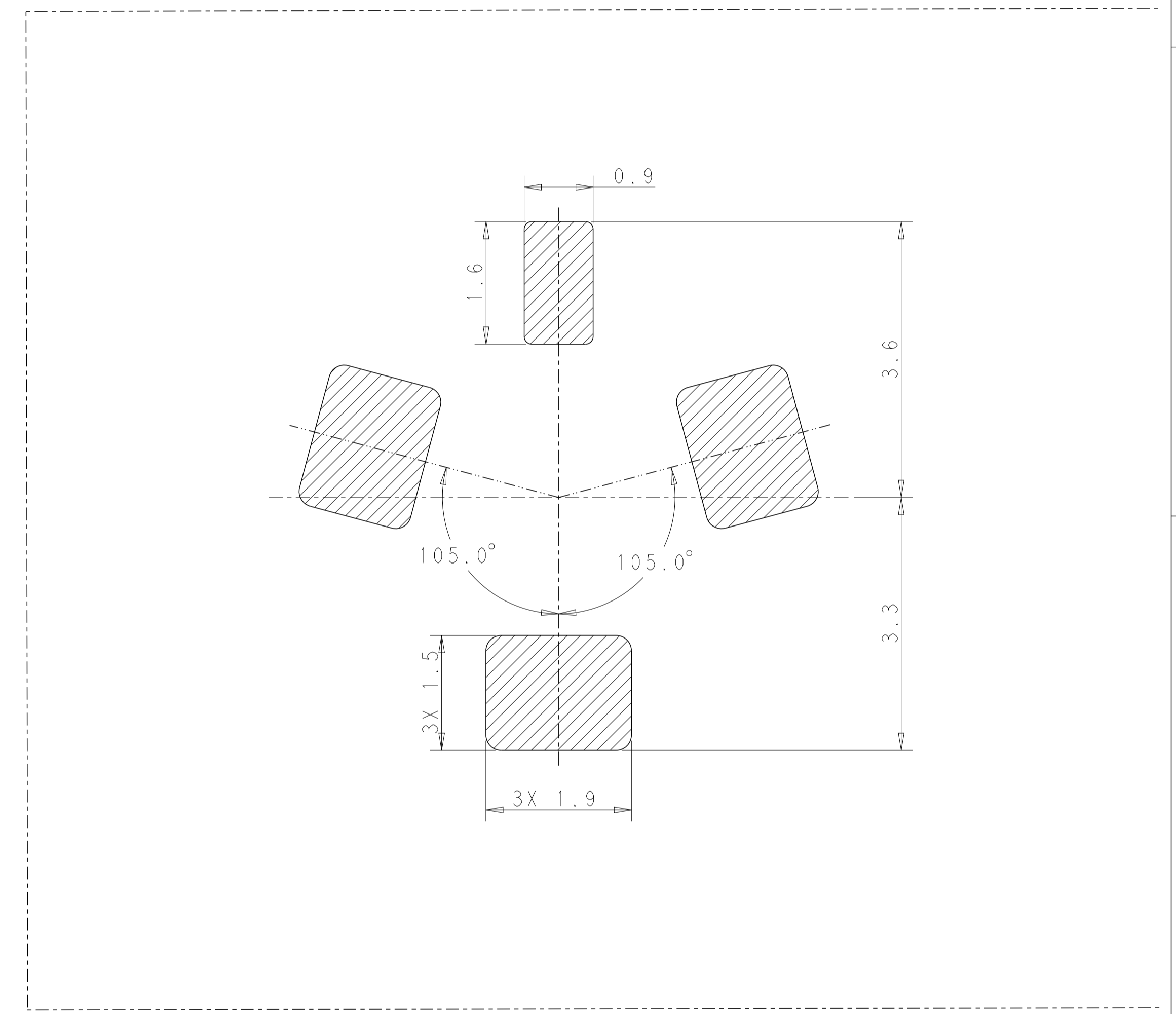
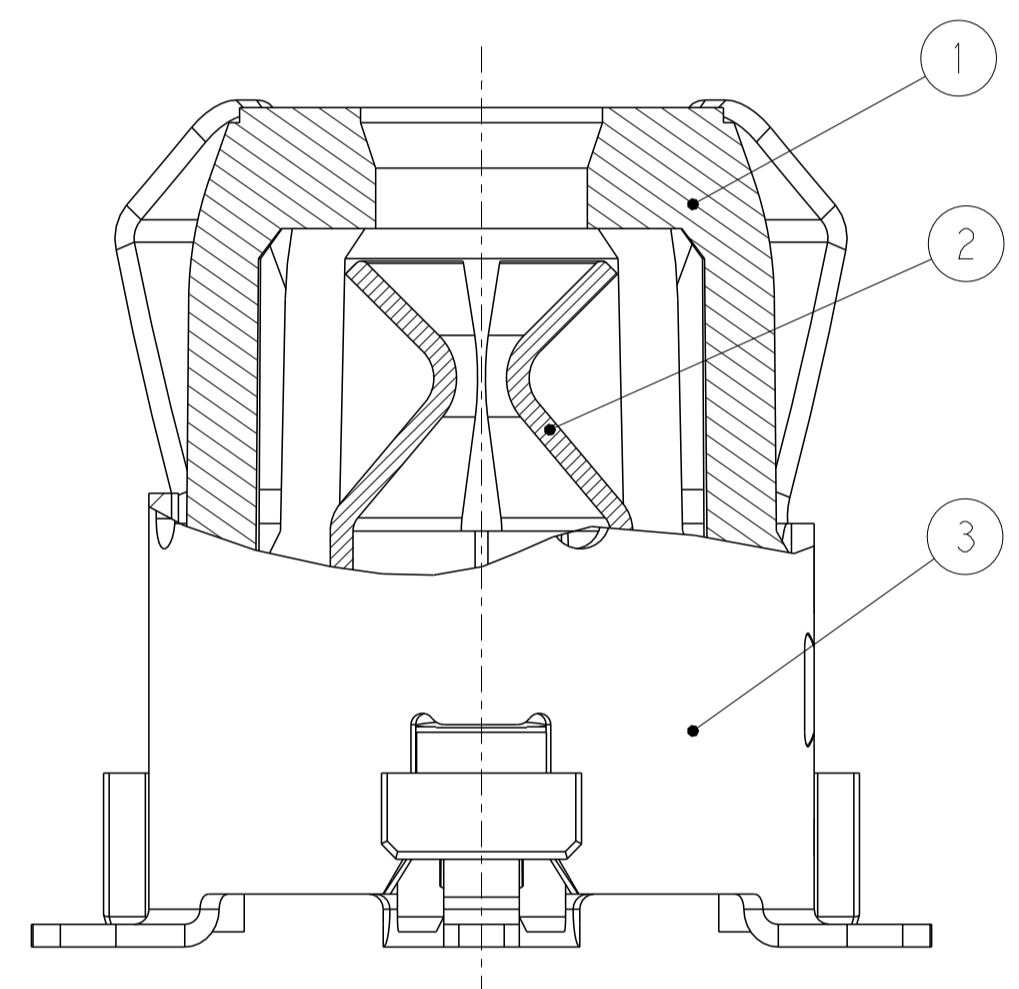
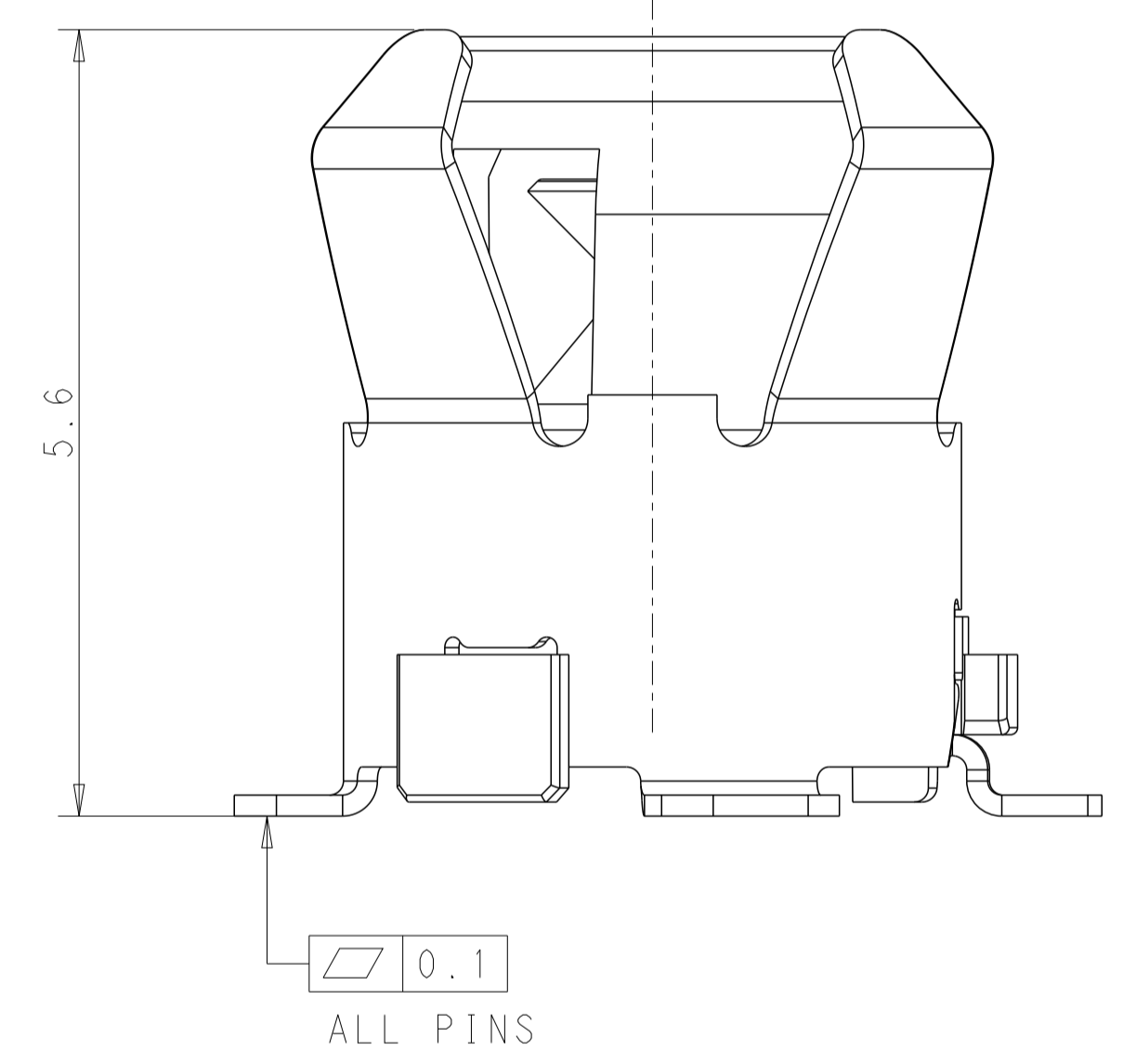


REVISIONS				
P.	LTN	DESCRIPTION	DATE	DWN APVD
A1		REVISED ECR-21-108536	28JUL21	L.L F.P
A2		REVISED ECR-22-132016	10MAR22	L.L F.P
A3		REVISED ECR-22-138897	12MAY22	L.L F.P
A4		REVISED ECR-22-159306	23NOV22	L.L F.P



1. MATERIAL: SEE TABLE
2. PACKAGING: TAPE AND REEL
3. RECOMMENDED PCB THICKNESS: 1.20mm MIN



2338810-2	OUTER CONTACT	3	COPPER ALLOY	TIN OVER NICKEL	1
	INNER CONTACT	2	COPPER ALLOY	TIN OVER NICKEL	1
	DIELECTRIC	1	PA	/	1
2338810-1	OUTER CONTACT	3	COPPER ALLOY	TIN OVER NICKEL	1
	INNER CONTACT	2	COPPER ALLOY	GOLD & TIN OVER NICKEL	1
	DIELECTRIC	1	PA	/	1
ASS. P/N	DESCRIPTION	NO.	MATERIAL	FINISH	QTY.

THIS DRAWING IS A CONTROLLED DOCUMENT.

DWN: L.LIU 31MAY2021
 CHK: F.PAN 31MAY2021
 APVD: J.YIN 31MAY2021

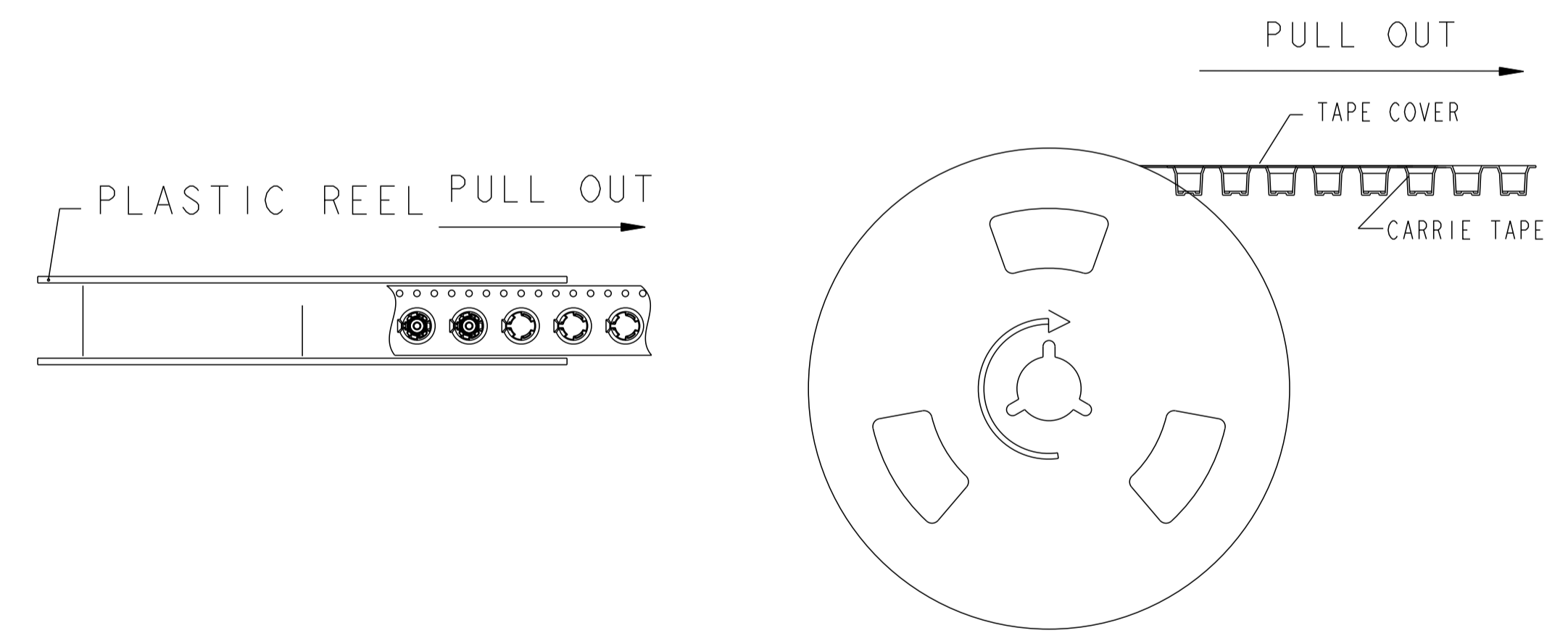
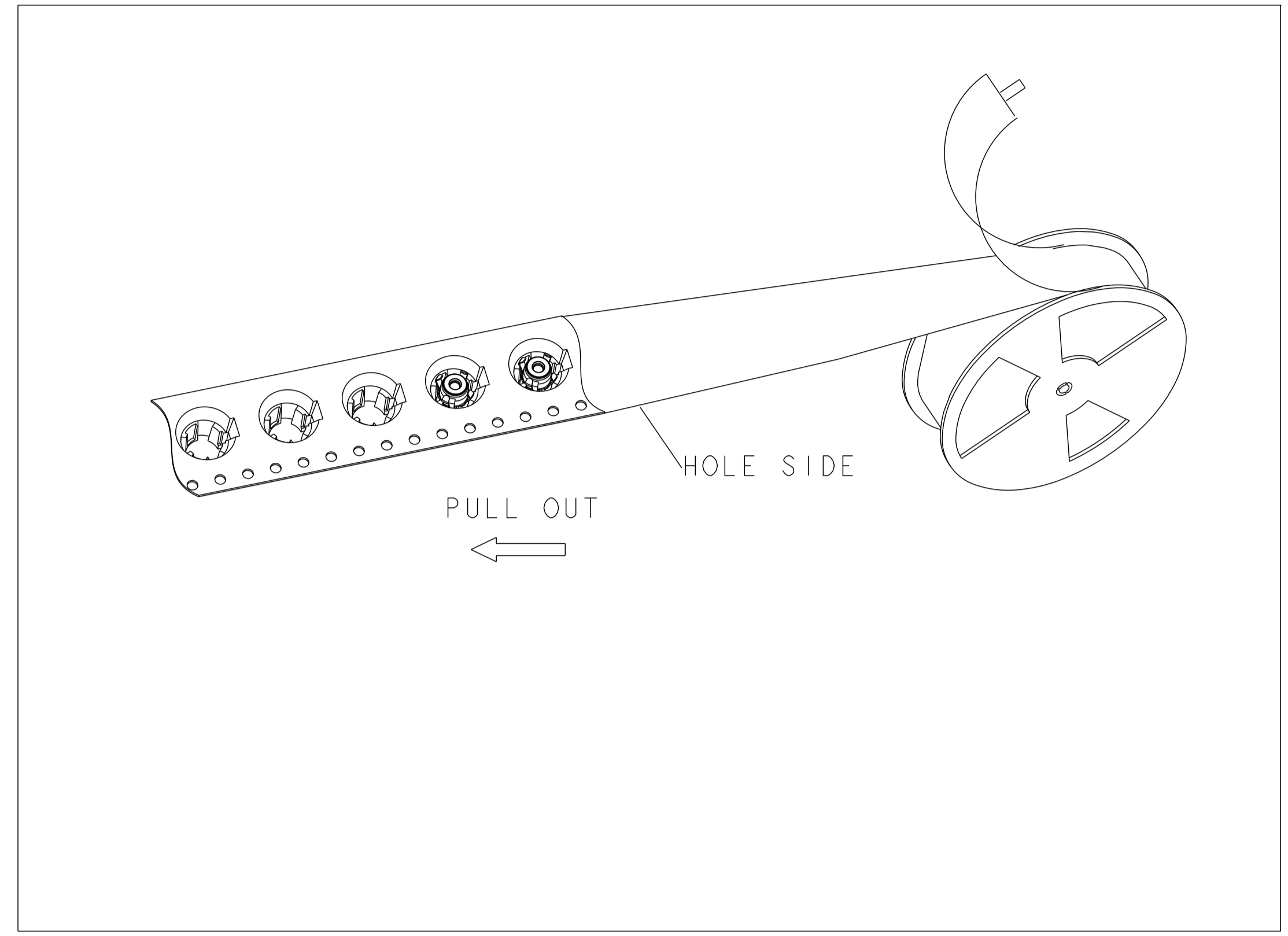
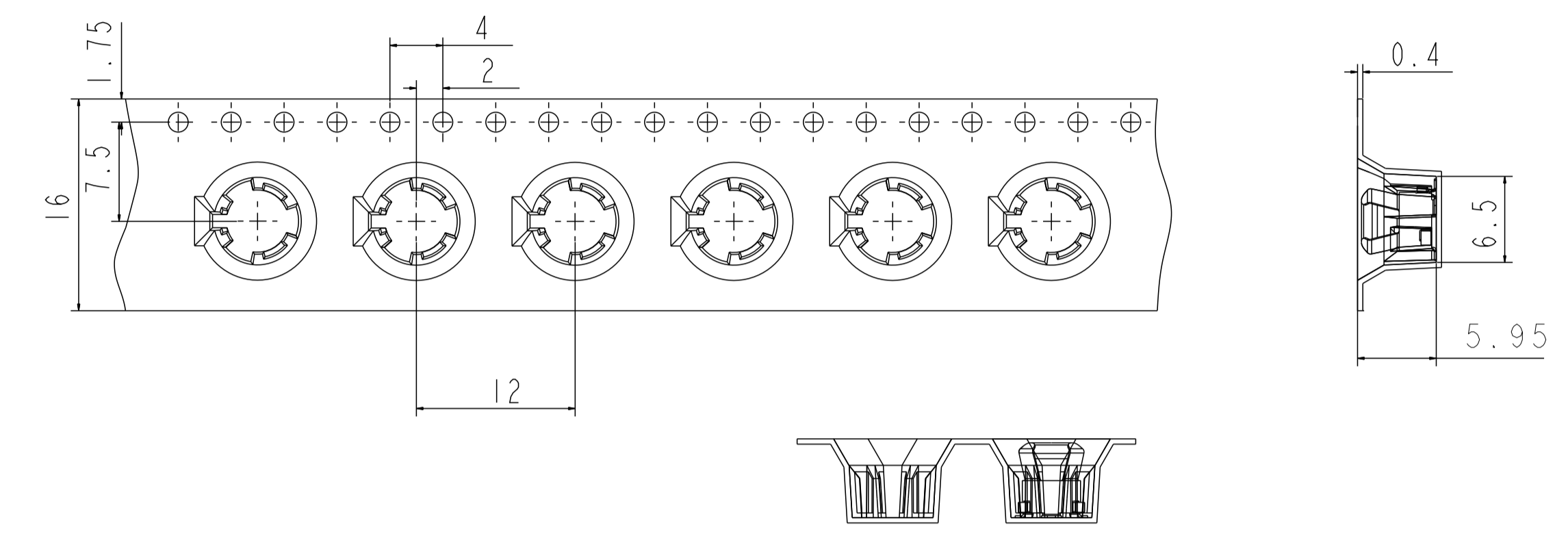
STE TE Connectivity

NAME: HD CAMERA FLOATING SOCKET ASSEMBLY
 PRODUCT SPEC: 108-160244
 APPLICATION SPEC: -

SIZE: A1 CAGE CODE: - DRAWING NO: 100779 C=2338810
 WEIGHT: 0.13 g

CUSTOMER DRAWING SCALE: 20:1 SHEET 1 OF 2 REV: A4

REVISIONS				
P	LTN	DESCRIPTION	DATE	APVD
-		SEE SHEET 1	-	-
-				
-				



THIS DRAWING IS A CONTROLLED DOCUMENT.		DWN	31MAY2021	TE Connectivity
DIMENSIONS:		CHK	31MAY2021	
mm		F.PAN	31MAY2021	
0 PLC ± 1 PLC ±0.2 2 PLC ±0.2 3 PLC ±0.2 4 PLC ± ANGLES ±5° FINISH		APVD	31MAY2021	
MATERIAL		PRODUCT SPEC		NAME
		108-160244		HD CAMERA FLOATING SOCKET ASSEMBLY
		APPLICATION SPEC		SIZE
				A1
		WEIGHT		CAGE CODE
		0.13 g		00779
		CUSTOMER DRAWING		DRAWING NO
				C=2338810
		SCALE		RESTRICTED TO
		20:1		-
		SHEET		REV
		2 OF 2		A4