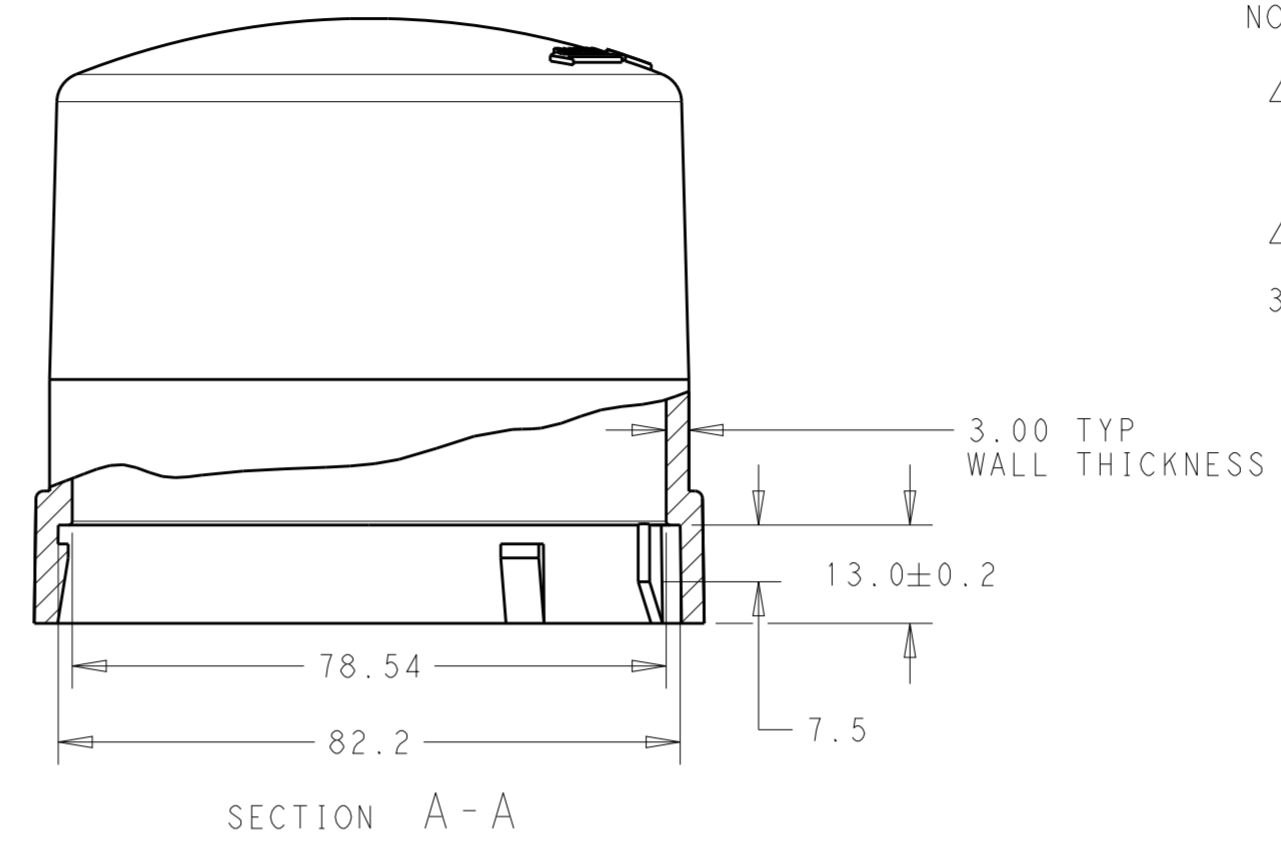
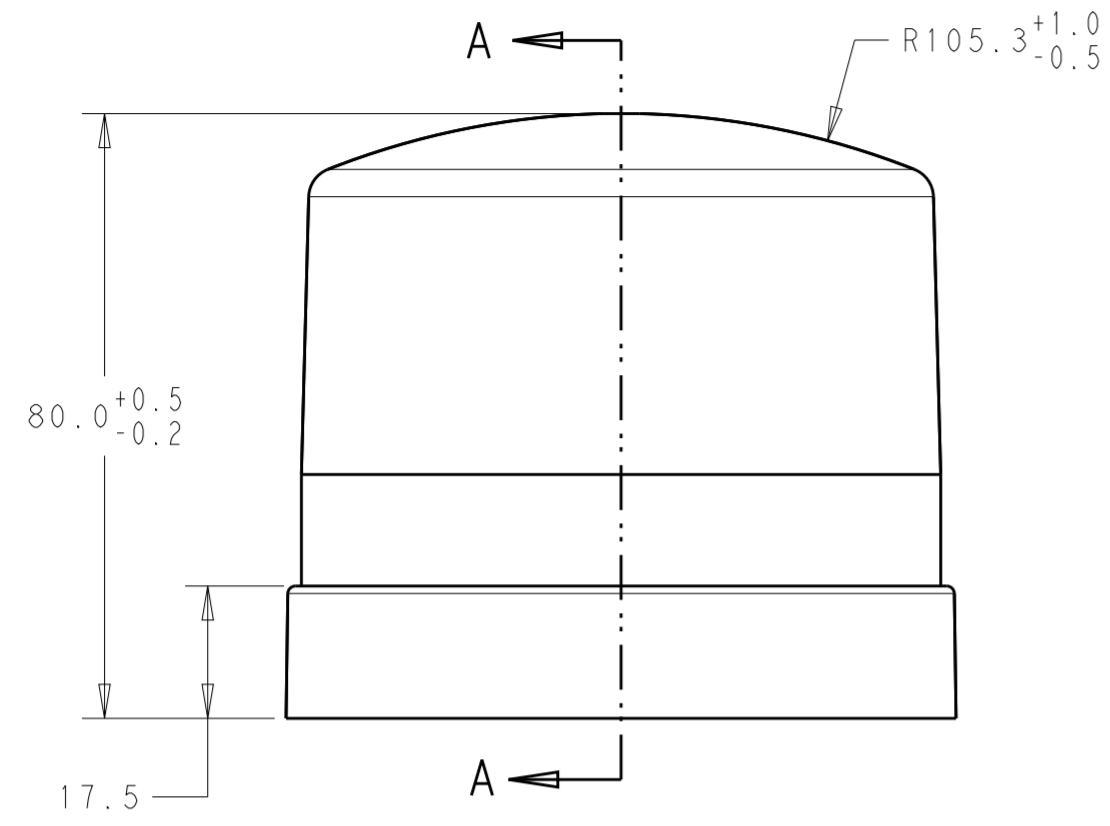
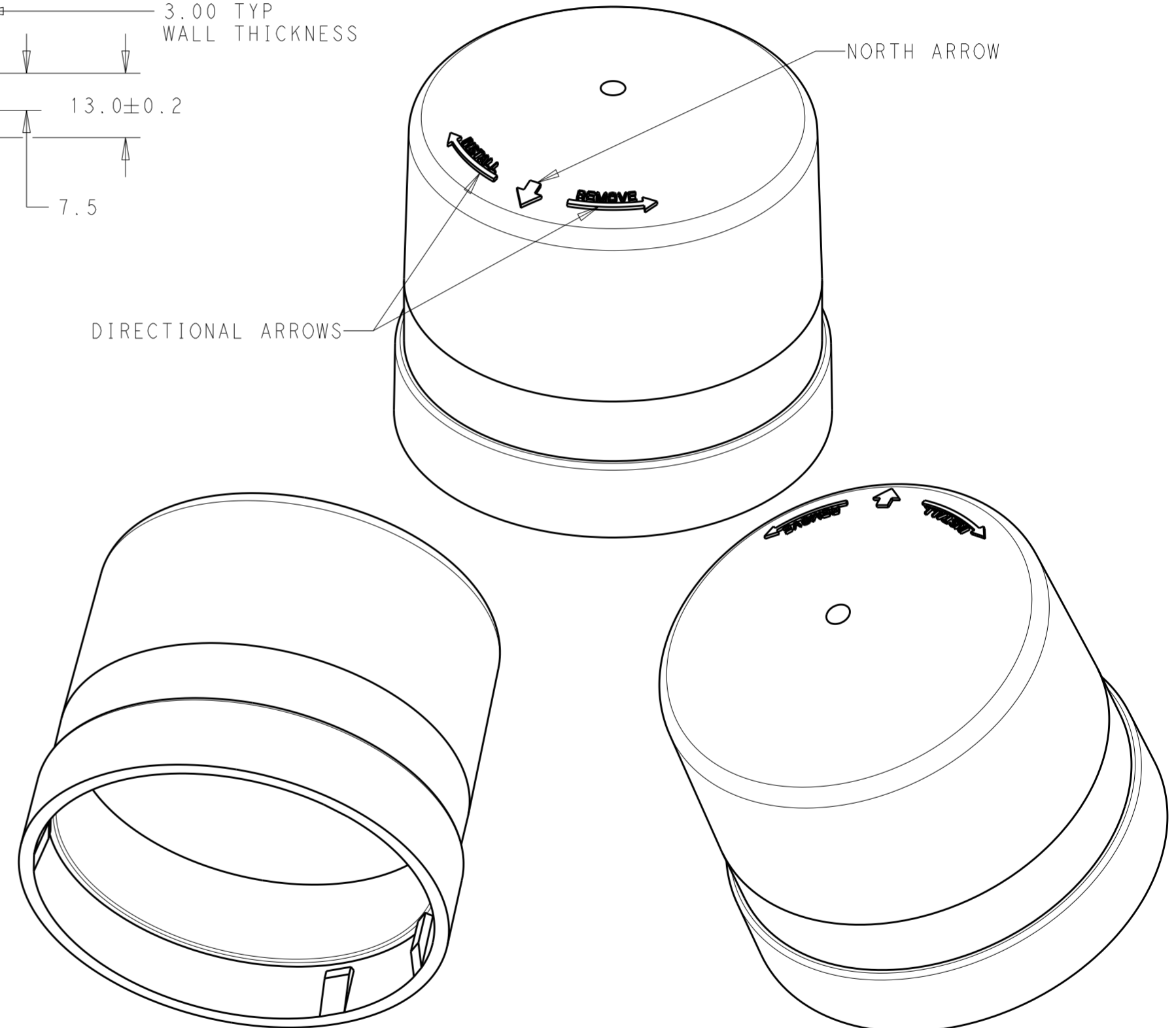
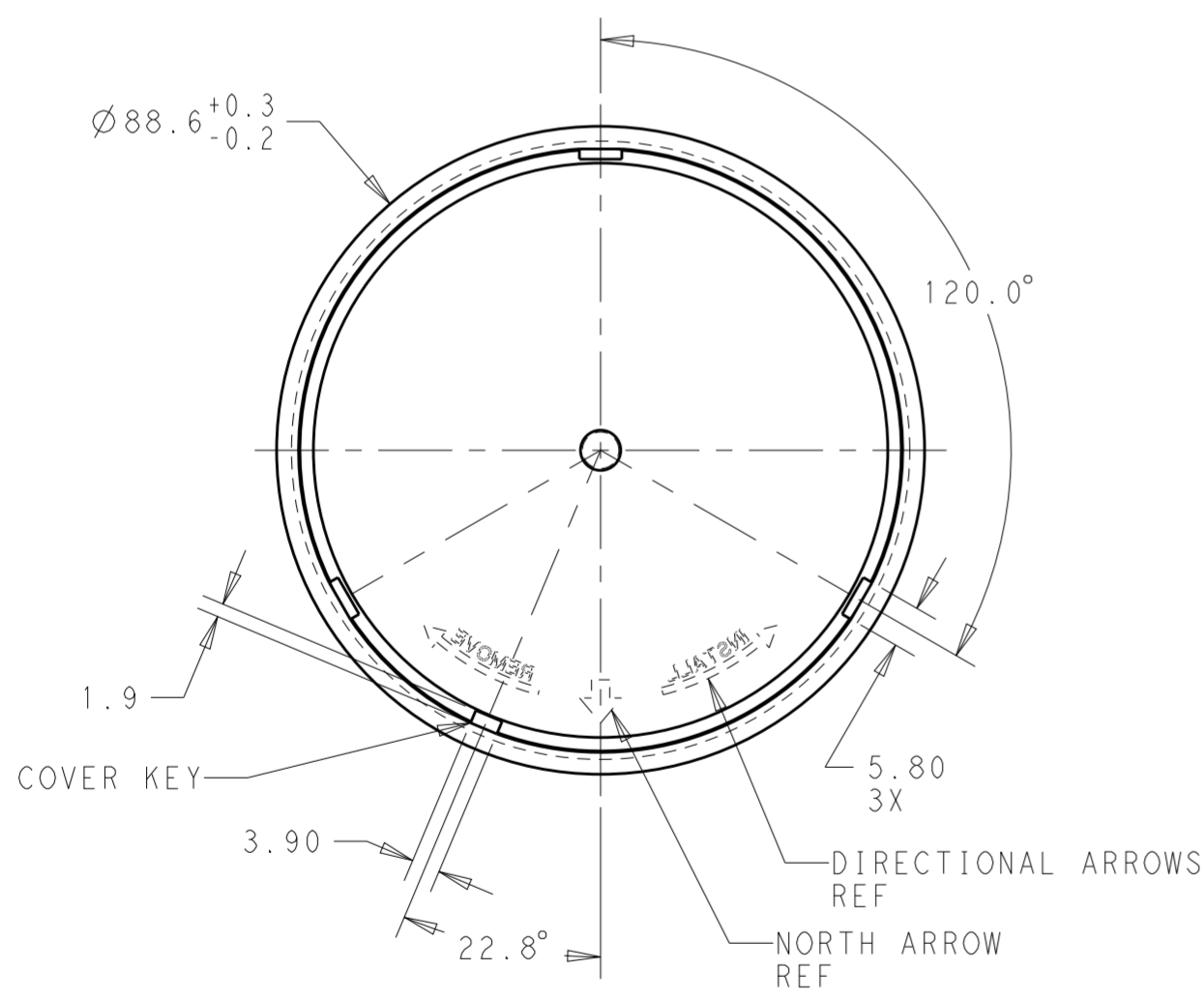


THIS DRAWING IS UNPUBLISHED. RELEASED FOR PUBLICATION 20
 © COPYRIGHT 20 BY - ALL RIGHTS RESERVED.

REVISIONS				
P	LTR	DESCRIPTION	DATE	APVD
1		PROPOSED	20JUN2018	CD MM
A		ECR-18-015430	03OCT2018	SR DD
B		ECR-19-010486	10JUL2019	SR DD



- NOTES:
- 1 MATERIALS:
HOUSING: POLYCARBONATE, UV 5VA RATED
COLOR: SEE TABLE
 - 2 MATING BASE TE P/N: 2213871-2,1-2213871-2.
 - 3. THIS PRODUCT HAS NOT COMPLETED VALIDATION TESTING.



APPROXIMATE LIGHT TRANSMISSION	COLOR	PART NO.
26%	TRANSLUCENT LIGHT GRAY	2338716-2
78%	TRANSPARENT CLEAR	1-2338716-1
24%	TRANSPARENT SMOKE GRAY	2338716-1

THIS DRAWING IS A CONTROLLED DOCUMENT.

DIMENSIONS:	TOLERANCES UNLESS OTHERWISE SPECIFIED:	DWN: C DAILY 20JUN2018	TE Connectivity
mm	0 PLC ± 1 PLC ±0.2 2 PLC ±0.13 3 PLC ± 4 PLC ±	CHK: MOSTOLLER 20JUN2018	
MATERIAL:	FINISH:	APVD: -	NAME: COVER, LIGHT CONTROLLER, 81mm DIA, MEDIUM
		PRODUCT SPEC: 108-32125	SIZE: A2
		APPLICATION SPEC: 11432159	CAGE CODE: -
		WEIGHT: -	DRAWING NO: C-2338716
		CUSTOMER DRAWING	RESTRICTED TO: -
		SCALE: 1:1	SHEET: 1 OF 1
			REV: B