

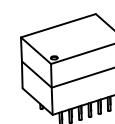
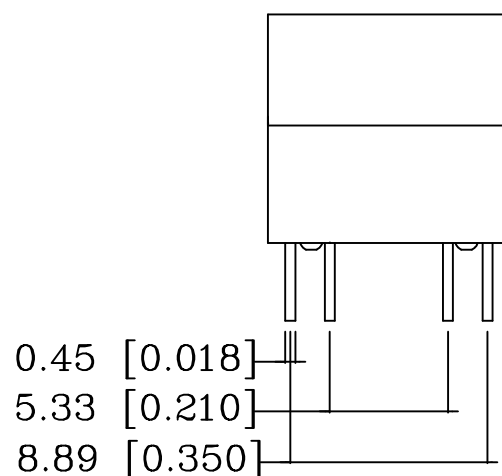
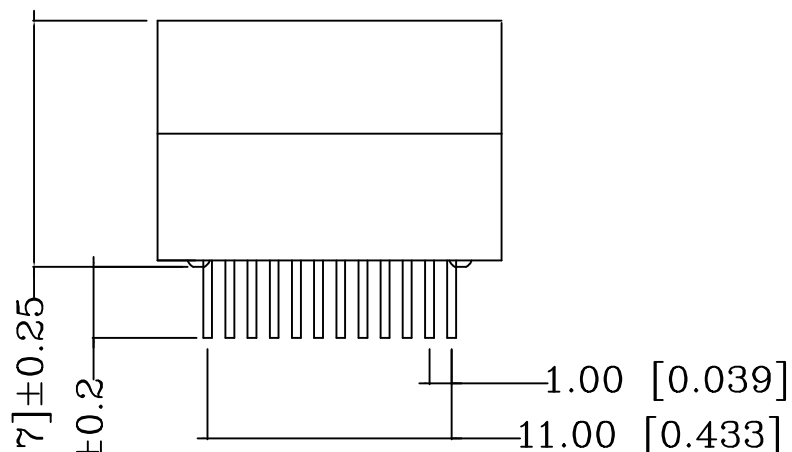
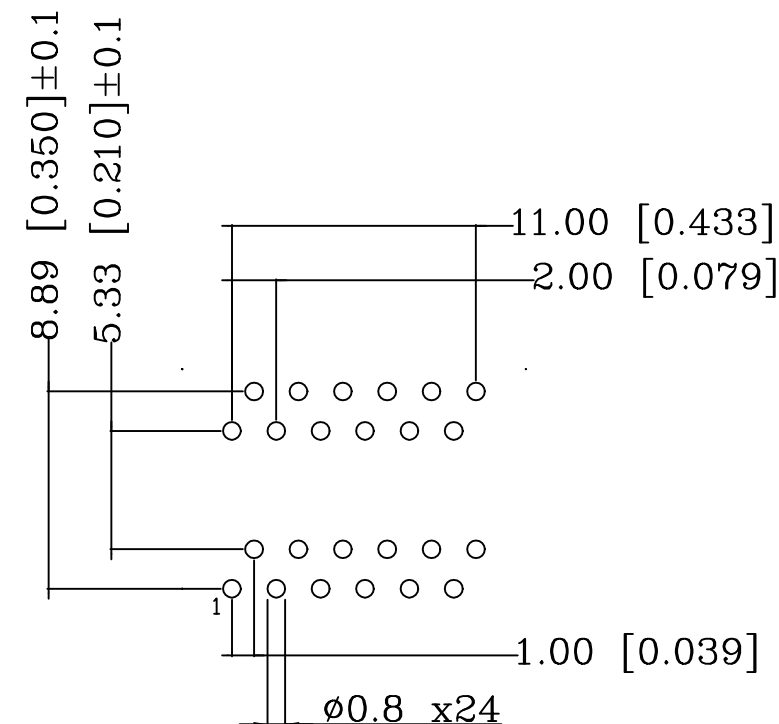
THIS DRAWING IS UNPUBLISHED RELEASED FOR PUBLICATION - ,2018.

© COPYRIGHT - 2017 by TE Connectivity Germany GmbH ALL RIGHTS RESERVED.

| REVISIONS | | | | |
|-----------|-----|-------------|-----------|----------|
| P | LTR | DESCRIPTION | DATE | DWN APVD |
| | A1 | NEW RELEASE | 20DEC2018 | GCM JDB |

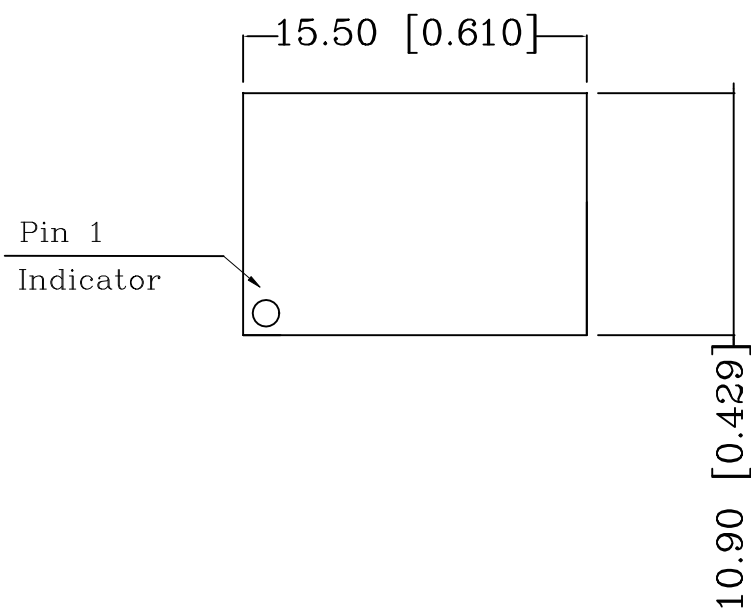
- ⚠ Material:
 COVER : Black PF2A5-151J, UL-94-V0
 HEADER : Black PF2A5-151J, UL-94-V0
 SOLDER PIN: CP WIRE
 SOLDER PIN PLATING: 4 μm (157 μ inch) MIN. 100% TIN,
 8 μm (315 μ inch) MIN. COPPER OVER ALL
- 2 THE PART IS RECOMMENDED FOR WAVE SOLDERING PROCESS
 SOLDERING: TEMPERATURE +260 ±5 °C, 10 ±1 s
 3 OPERATING TEMPERATURE: T= -40 °C TO +85 °C
 4 STORAGE TEMPERATURE: T= -40 °C TO +85 °C
 5 MEET IEEE 802.3ab REQUIRMENT
- ⚠ UNLESS OTHERWISE SPECIFIED, SEE TABLE FOR ALL DIMENSIONS TOLERANCES
 7 PACKAGING: REEL (T+R) ACCORDING TO PACKAGING SPECIFICATION 107-18128

SUGGESTED PCB LAYOUT



1:1

| TABLE OF TOLERANCE (mm) | |
|-------------------------|-----------|
| RANGE | TOLERANCE |
| 0-10 | ±0.15 |
| >10-40 | ±0.25 |
| >40-70 | ±0.30 |
| >70 | ±0.40 |



| | | | | | | |
|---|--|---------------------------------|---------------------------------------|--------------------|---------------------------|--------------------|
| THIS DRAWING IS A CONTROLLED DOCUMENT. | | DWN 20DEC2018 GANESH C M | TE Connectivity | | | |
| DIMENSIONS: mm [INCHES] | | CHK 20DEC2018 A.C. NGOUMGANG | | | | |
| TOLERANCES UNLESS OTHERWISE SPECIFIED: | | APVD 20DEC2018 J. DE BRUIJN | NAME DISCR.ETH.MAG. 1GB SINGLE THT | | | |
| 0 PLC ± - 1 PLC ± - ⚠ 2 PLC ± - 3 PLC ± - 4 PLC ± - ANGLES ± - | | PRODUCT SPEC 108-94693 | SIZE A3 | CAGE CODE 00779 | DRAWING NO C=2337823-3 | RESTRICTED TO - |
| MATERIAL ⚠ | | FINISH ⚠ | SCALE 4:1 | | SHEET 1 of 2 | REV A1 |
| CUSTOMER DRAWING | | | | | | |

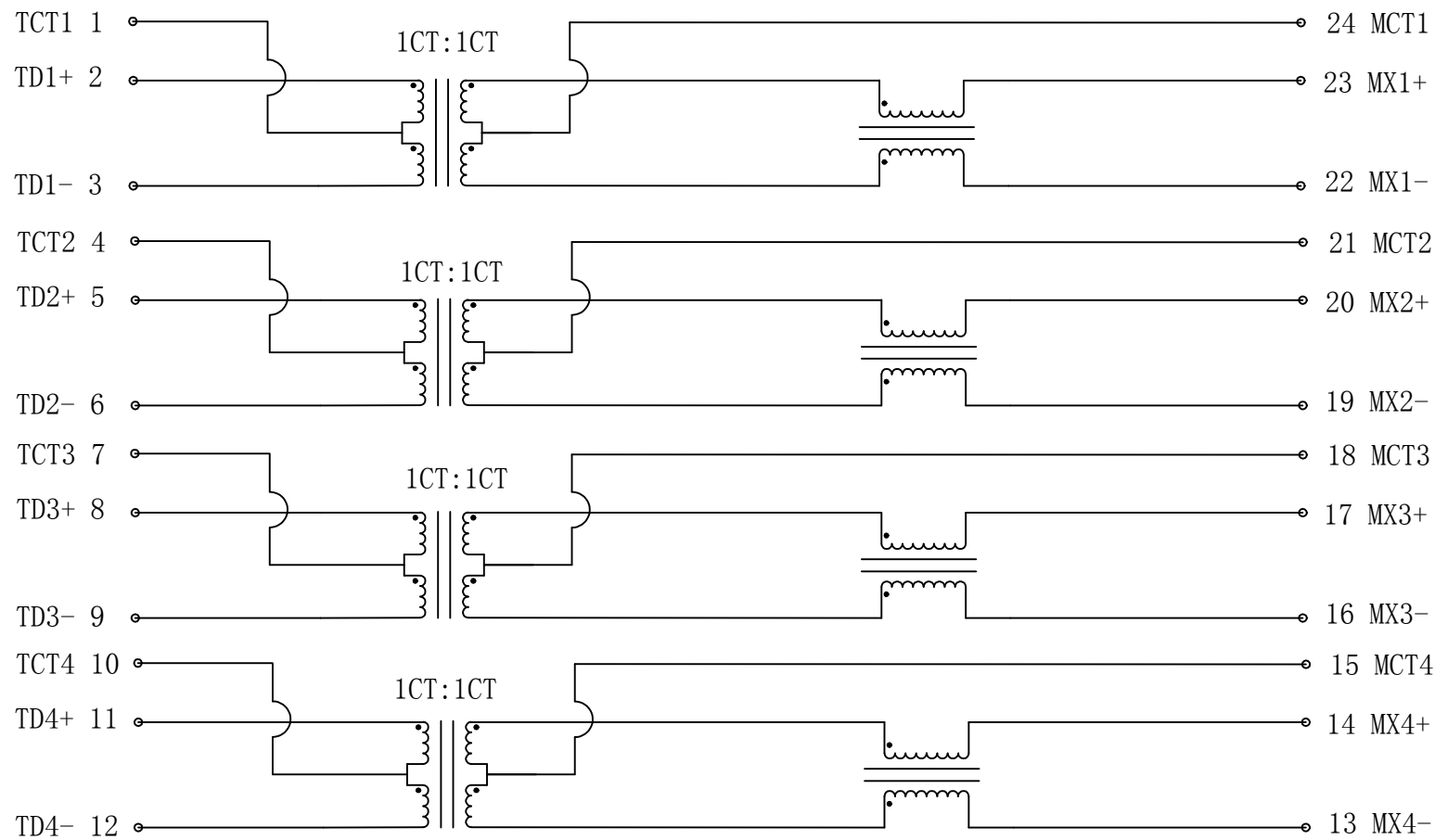
THIS DRAWING IS UNPUBLISHED RELEASED FOR PUBLICATION - ,2018.

© COPYRIGHT - 2017 by TE Connectivity Germany GmbH ALL RIGHTS RESERVED.

REVISIONS

| P | LTR | DESCRIPTION | DATE | DWN | APVD |
|---|-----|-------------|------|-----|------|
| - | - | SEE SHEET 1 | - | - | - |

CIRCUIT DIAGRAM



| Electrical Specifications @ 25 °C (Unless other specified meet IEEE 802.3 Specification) | | |
|---|-------------|---------------|
| Turn Ratio | 1CT:1CT ±2% | |
| Inductance (OCL) @100kHz/0.1V with 8mA DC Bias | 350 µH min. | |
| Insertion Loss | 0.1-100MHz | -1 dB max. |
| | 1-30MHz | -18 dB min. |
| Return Loss (Zout = 100 OHMS) | 40MHz | -14.4 dB min. |
| | 50MHz | -13.1 dB min. |
| | 80MHz | -12 dB min. |
| | 100MHz | -10 dB min. |
| Crosstalk | 30MHz | -40 dB min. |
| | 60MHz | -35 dB min. |
| | 100MHz | -30 dB min. |
| DCMR | 30MHz | -40 dB min. |
| | 60MHz | -35 dB min. |
| | 100MHz | -30 dB min. |
| Isolation Voltage (Input - Output) | 1500 Vrms | |



CONTROL CODE

DATE CODE

"0213"

YY-YEAR

WW-WEEK

| | | | | |
|---|--|------------------------------------|--|---------------------------|
| THIS DRAWING IS A CONTROLLED DOCUMENT. | | DWN GANESH C M 20DEC2018 | TE Connectivity DISCR.ETH.MAG. 1GB SINGLE THT | |
| DIMENSIONS: mm [INCHES] | | CHK A.C. NGOUMGANG 20DEC2018 | | |
| TOLERANCES UNLESS OTHERWISE SPECIFIED: | | APVD J. DE BRUIJN 20DEC2018 | NAME | |
| 0 PLC ± - 1 PLC ± - 2 PLC ± - 3 PLC ± - 4 PLC ± - ANGLES ± - | | PRODUCT SPEC 108-94693 | SIZE | |
| MATERIAL | | APPLICATION SPEC 114-94555 | CAGE CODE A3 00779 | DRAWING NO C=2337823-3 |
| FINISH | | WEIGHT | RESTRICTED TO | |
| CUSTOMER DRAWING | | SCALE 4:1 | SHEET 2 of 2 | |
| | | | | REV A1 |