

THIS DRAWING IS UNPUBLISHED.

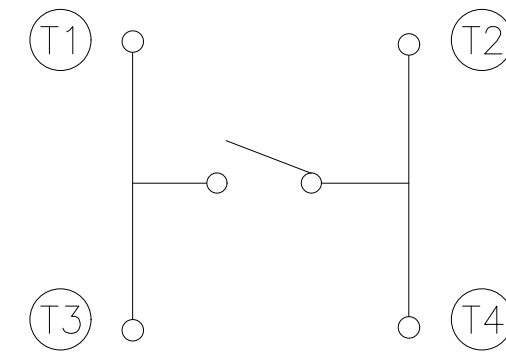
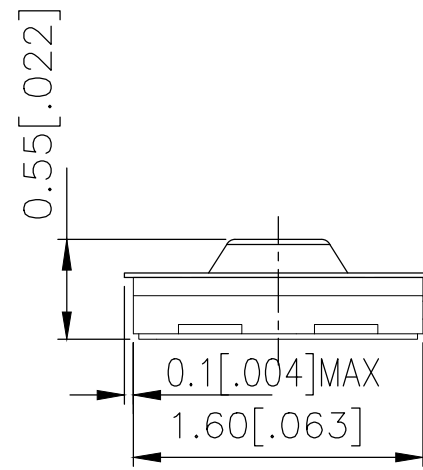
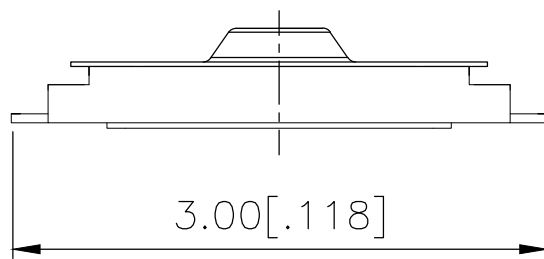
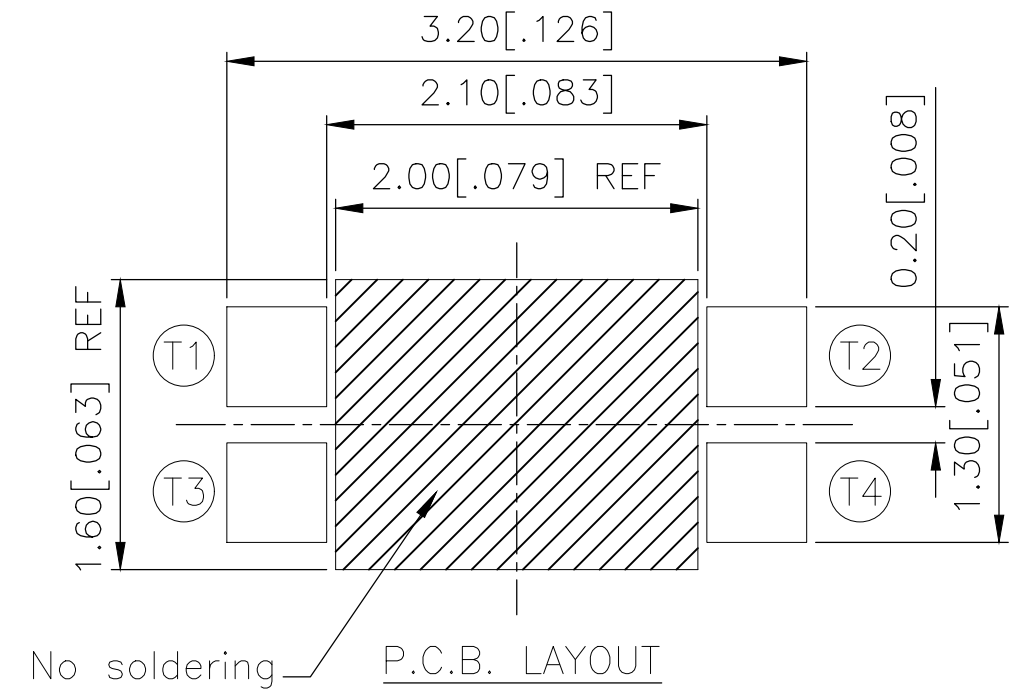
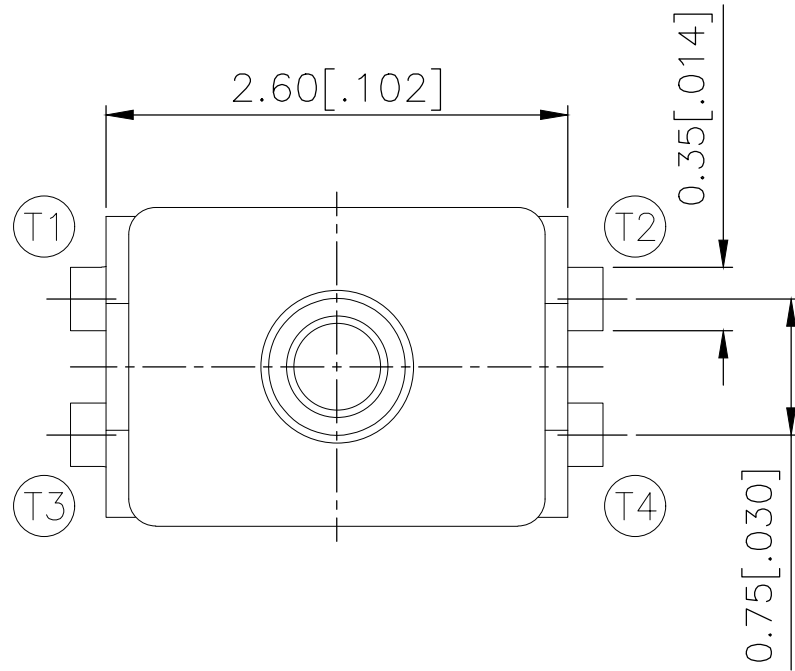
RELEASED FOR PUBLICATION

REVISIONS

© COPYRIGHT - TE Connectivity Ltd.

ALL RIGHTS RESERVED.

| P | LTR | DESCRIPTION | DATE | DWN | APVD |
|---|-----|---------------------------|-----------|-----|------|
| | B | REVISED PER ECR-19-004770 | 10APR2019 | SR | DD |



CIRCUIT DIAGRAM

| | | |
|----------------------|-------------------|-------------|
| 160±50 | USLPT2616CT2TR | 2337224-1 |
| ACTUATION FORCE (gf) | SMART PART NUMBER | PART NUMBER |

THIS DRAWING IS A CONTROLLED DOCUMENT.

| DIMENSIONS: | TOLERANCES UNLESS OTHERWISE SPECIFIED: |
|-------------|--|
| mm | |
| | 0 PLC ± - |
| | 1 PLC ± - |
| | 2 PLC ± 0.1 [.004] |
| | 3 PLC ± - |
| | 4 PLC ± - |
| | ANGLES ± - |

| | |
|----------|--------|
| MATERIAL | FINISH |
| - | - |

| | | |
|------------------|------------------|-----------|
| DWN | GANESH C M | 04JUL2018 |
| CHK | ALEXANDER SHARPE | 04JUL2018 |
| APVD | ALEXANDER SHARPE | 04JUL2018 |
| PRODUCT SPEC | - | - |
| APPLICATION SPEC | - | - |
| WEIGHT | - | - |

| | | | |
|---|-----------|----------------------|---------------|
| | | TE Connectivity Ltd. | |
| | | NAME | |
| SWITCH, TACTILE, LOW-PROFILE, ULTRA-MINI, 2.6 x 1.6 x 0.55, TAB | | | |
| SIZE | CAGE CODE | DRAWING NO | RESTRICTED TO |
| A3 | 00779 | C-2337224 | - |
| CUSTOMER DRAWING | | SCALE | SHEET 1 of 3 |
| | | | REV B |

THIS DRAWING IS UNPUBLISHED.

RELEASED FOR PUBLICATION

REVISIONS

© COPYRIGHT - TE Connectivity Ltd.

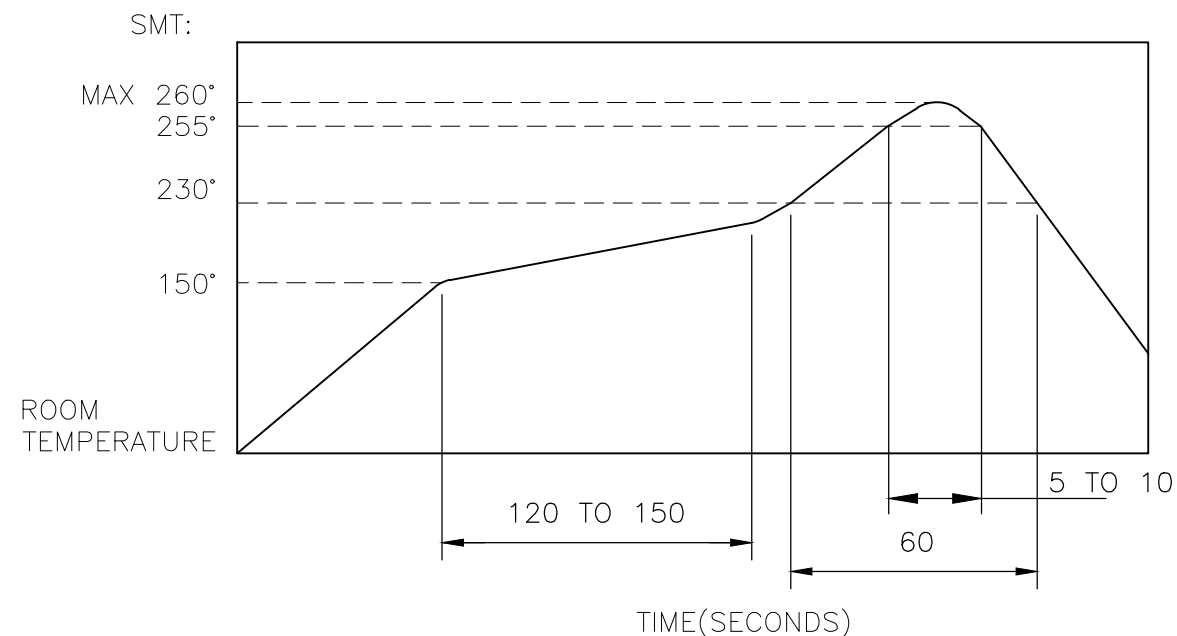
ALL RIGHTS RESERVED.

| P | LTR | DESCRIPTION | DATE | DWN | APVD |
|---|-----|-------------|------|-----|------|
| - | - | SEE SHEET 1 | - | - | - |

NOTES:

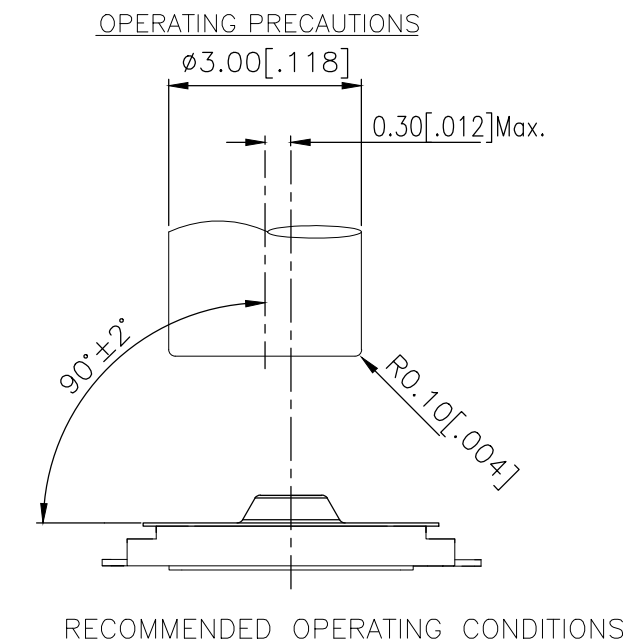
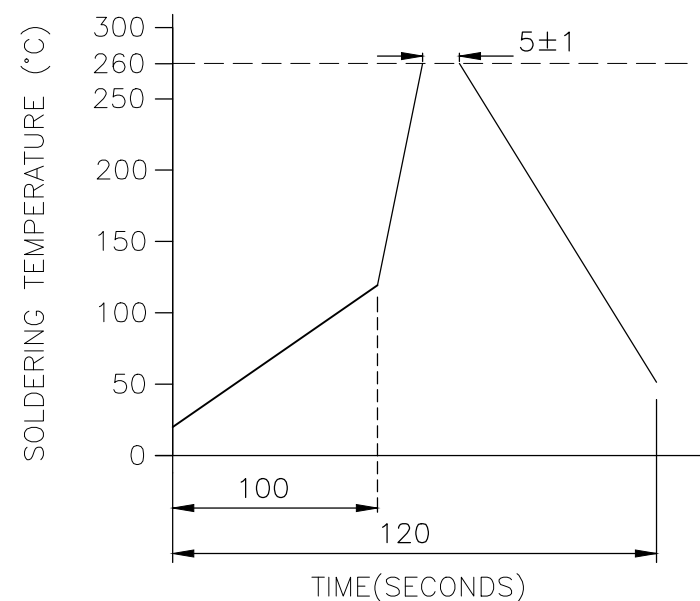
- MATERIALS:**
 TERMINAL: COPPER ALLOY, SILVER FINISH
 BASE: THERMOPLASTIC, BLACK
 TAPE: POLYAMIDE
 ACTUATOR: POLYIMIDE
 CONTACT: STAINLESS STEEL, SILVER FINISH
- COMPLIANCE:**
 ALL MATERIALS AND FINISHES SHALL COMPLY WITH EU DIRECTIVE 2002/95/EC OF 27JAN2003(RoHS)
- SPECIFICATIONS:**
 RATING: 10 μ A, 2V DC MINIMUM TO 20 mA, 15V DC MAXIMUM
 CONTACT RESISTANCE: 500m Ω MAXIMUM (INITIAL)
 INSULATION RESISTANCE: 50M Ω MINIMUM (INITIAL)
 DIELECTRIC STRENGTH: 250 V AC, 1 MINUTE
 OPERATING LIFE: 200,000 CYCLES WITH LOAD
 TRAVEL: 0.11 \pm 0.05 [.004 \pm .002]
 ACTUATION FORCE: 160 \pm 50gf
 OPERATING TEMPERATURE: -40° TO 85°C
 STORAGE TEMPERATURE: -40° TO 85°C

4. SOLDER CONDITIONS:



THE CONDITON NOTED ABOVE IS THE TEMPERATURE OF THE COPPER FOIL ON THE SURFACE OF THE PCB. THERE ARE CASES WHERE THE TEMPERATURE OF THE BOARD GREATLY DIFFERS FROM THE SURFACE OF THE SWITCH. DO NOT ALLOW THE SURFACE TEMPERATURE OF THE SWITCH TO EXCEED 260°C.

WAVE SOLDER:



MANUAL SOLDERING:

| | |
|---------------------------|-------------------|
| SOLDERING TEMPERATURE | 350°C MAXIMUM |
| CONTINUOUS SOLDERING TIME | 3 SECONDS MAXIMUM |

HANDLING PRECAUTIONS:

- CARE SHOULD BE EXERCISED SO THAT FLUX FROM THE TOP SURFACE OF THE PRINTED CIRCUIT BOARD DOES NOT ADHERE TO THE SWITCH.
 - DO NOT WASH THE SWITCH.
5. OPERATING PRECAUTIONS:
- DO NOT ACTUATE THE SWITCH WITH EXCESSIVE FORCE
 - DISCONTINUE FORCE AFTER THE SWITCH HAS BEEN ACTUATED SO AS TO AVOID DEFORMATION OF THE COMPONENTS OF THE SWITCH. DEFORMATION OF THE COMPONENTS MAY CAUSE THE SWITCH TO MALFUNCTION.
 - ALIGN THE PLUNGER WITH THE SWITCH TO INSURE PROPER OPERATION

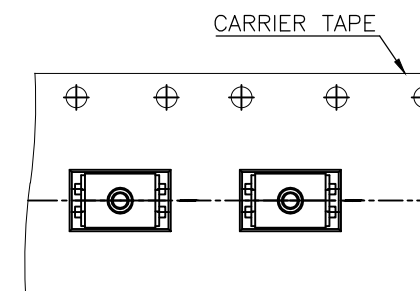
| | | | | | |
|--|--|---------------------------------------|--|--------------------|--------------------|
| THIS DRAWING IS A CONTROLLED DOCUMENT. | | DWN GANESH C M 04JUL2018 | TE Connectivity Ltd. | | |
| DIMENSIONS: mm | | CHK ALEXANDER SHARPE 04JUL2018 | | | |
| TOLERANCES UNLESS OTHERWISE SPECIFIED: | | APVD ALEXANDER SHARPE 04JUL2018 | NAME SWITCH, TACTILE, LOW-PROFILE, ULTRA-MINI, 2.6 x 1.6 x 0.55, TAB | | |
| 0 PLC \pm - 1 PLC \pm - 2 PLC \pm 0.1 [.004] 3 PLC \pm - 4 PLC \pm - ANGLES \pm - | | PRODUCT SPEC - | APPLICATION SPEC - | | |
| MATERIAL - | | FINISH - | WEIGHT | SIZE A3 | CAGE CODE 00779 |
| CUSTOMER DRAWING | | | DRAWING NO C-2337224 | RESTRICTED TO - | SCALE - |
| | | | SHEET 2 OF 3 | REV B | |

| P | LTR | DESCRIPTION | DATE | DWN | APVD |
|---|-----|-------------|------|-----|------|
| - | - | SEE SHEET 1 | - | - | - |

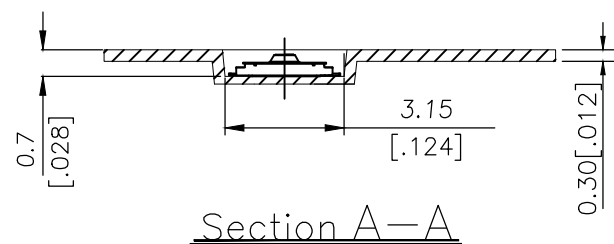
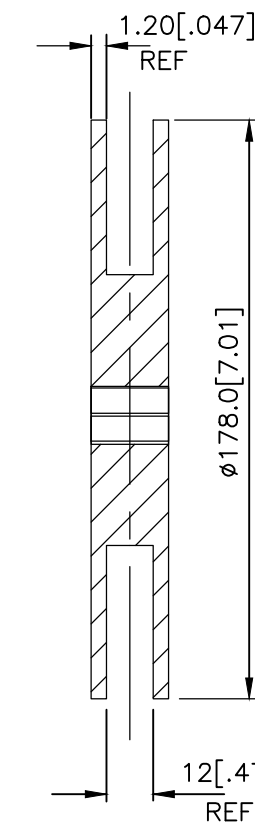
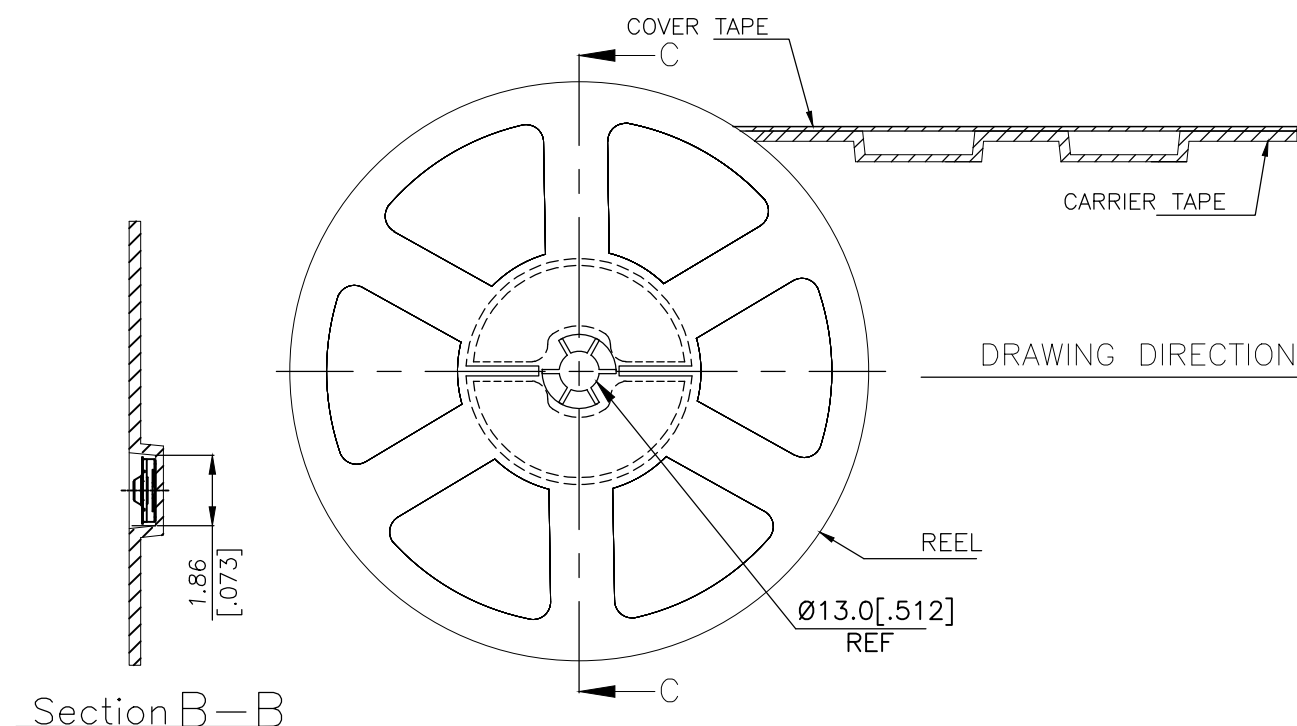
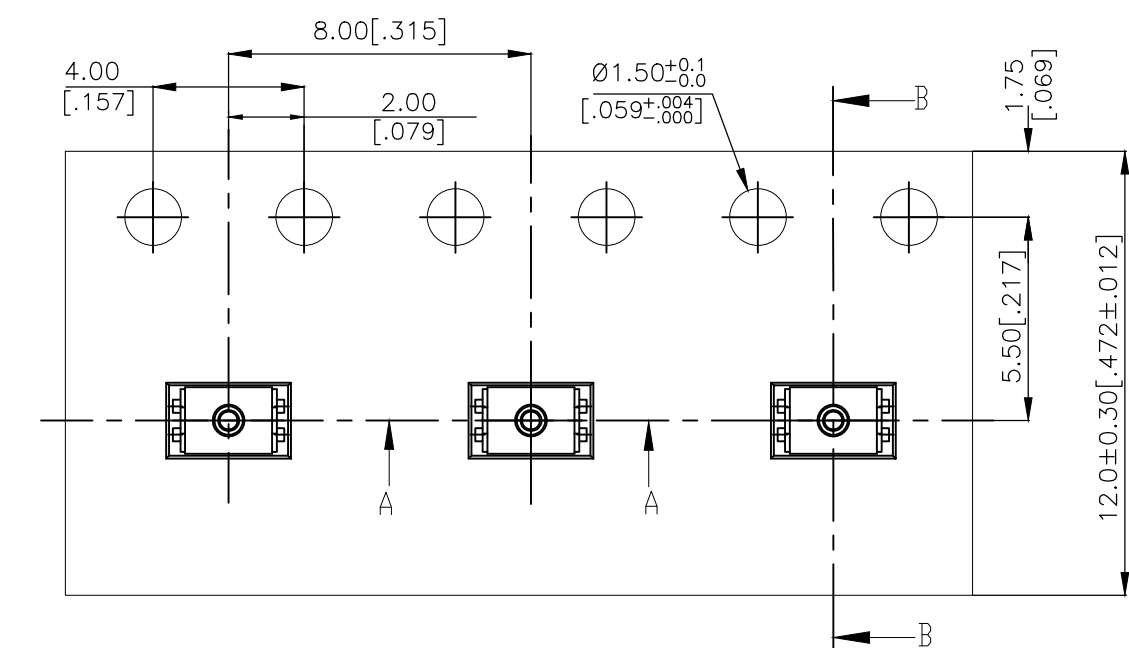
6. PACKAGING:

1. THE TAPE AND REEL ARE SHOWN FOR CUSTOMER APPLICATION REFERENCE. PACKAGING NOTES 3 AND 4 ARE REQUIRED BUT NOT ILLUSTRATED.
2. 2,500 SWITCHES PER REEL.
3. THE REEL, DESICCANT POUCH AND HUMIDITY CARD ARE SEALED IN A MOISTURE BARRIER BAG PER THE CURRENT REVISION OF IPC/JEDEC J-STD-033, MSL 2A REQUIREMENTS.
4. THE MOISTURE BARRIER BAG IS LABELED PER THE CURRENT REVISION OF IPC/JEDEC J-STD-033, MSL 2A REQUIREMENTS.

ORIENTATION OF PILOT HOLES




THE DIMENSIONS OF CARRIER TAPE AND REEL



Section B-B

Section C-C

| | | | | | | | | | | | | | | | | | |
|---|--------------|---------------------------------------|--|-----------|------------|--|--------------|-------|-----|-------|-----|--------|-----|------------------|--|------|---------------|
| THIS DRAWING IS A CONTROLLED DOCUMENT. | | DWN GANESH C M 04JUL2018 |  TE Connectivity Ltd. | | | | | | | | | | | | | | |
| DIMENSIONS: mm | | CHK ALEXANDER SHARPE 04JUL2018 | | | | NAME SWITCH, TACTILE, LOW-PROFILE, ULTRA-MINI, 2.6 x 1.6 x 0.55, TAB | | | | | | | | | | | |
| TOLERANCES UNLESS OTHERWISE SPECIFIED: | | APVD ALEXANDER SHARPE 04JUL2018 | PRODUCT SPEC | | | | | | | | | | | | | | |
| <table border="0"> <tr><td>0 PLC</td><td>± -</td></tr> <tr><td>1 PLC</td><td>± -</td></tr> <tr><td>2 PLC</td><td>± 0.1 [.004]</td></tr> <tr><td>3 PLC</td><td>± -</td></tr> <tr><td>4 PLC</td><td>± -</td></tr> <tr><td>ANGLES</td><td>± -</td></tr> </table> | | 0 PLC | ± - | 1 PLC | ± - | 2 PLC | ± 0.1 [.004] | 3 PLC | ± - | 4 PLC | ± - | ANGLES | ± - | APPLICATION SPEC | | SIZE | RESTRICTED TO |
| 0 PLC | ± - | | | | | | | | | | | | | | | | |
| 1 PLC | ± - | | | | | | | | | | | | | | | | |
| 2 PLC | ± 0.1 [.004] | | | | | | | | | | | | | | | | |
| 3 PLC | ± - | | | | | | | | | | | | | | | | |
| 4 PLC | ± - | | | | | | | | | | | | | | | | |
| ANGLES | ± - | | | | | | | | | | | | | | | | |
| MATERIAL | | WEIGHT | | CAGE CODE | DRAWING NO | | | | | | | | | | | | |
| - | | - | | A3 00779 | C-2337224 | | | | | | | | | | | | |
| CUSTOMER DRAWING | | | SCALE | SHEET | REV | | | | | | | | | | | | |
| | | | - | 3 OF 3 | B | | | | | | | | | | | | |