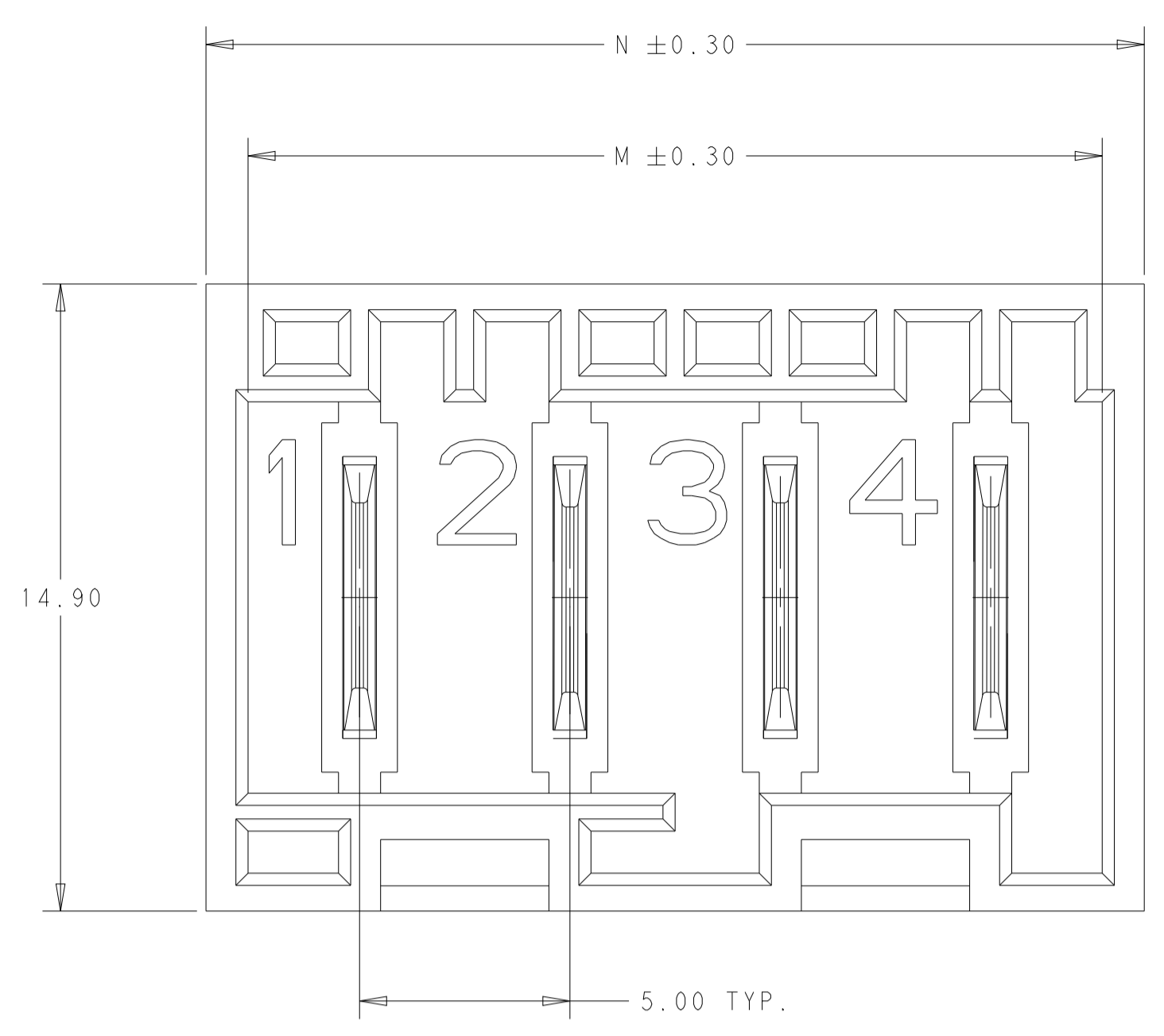
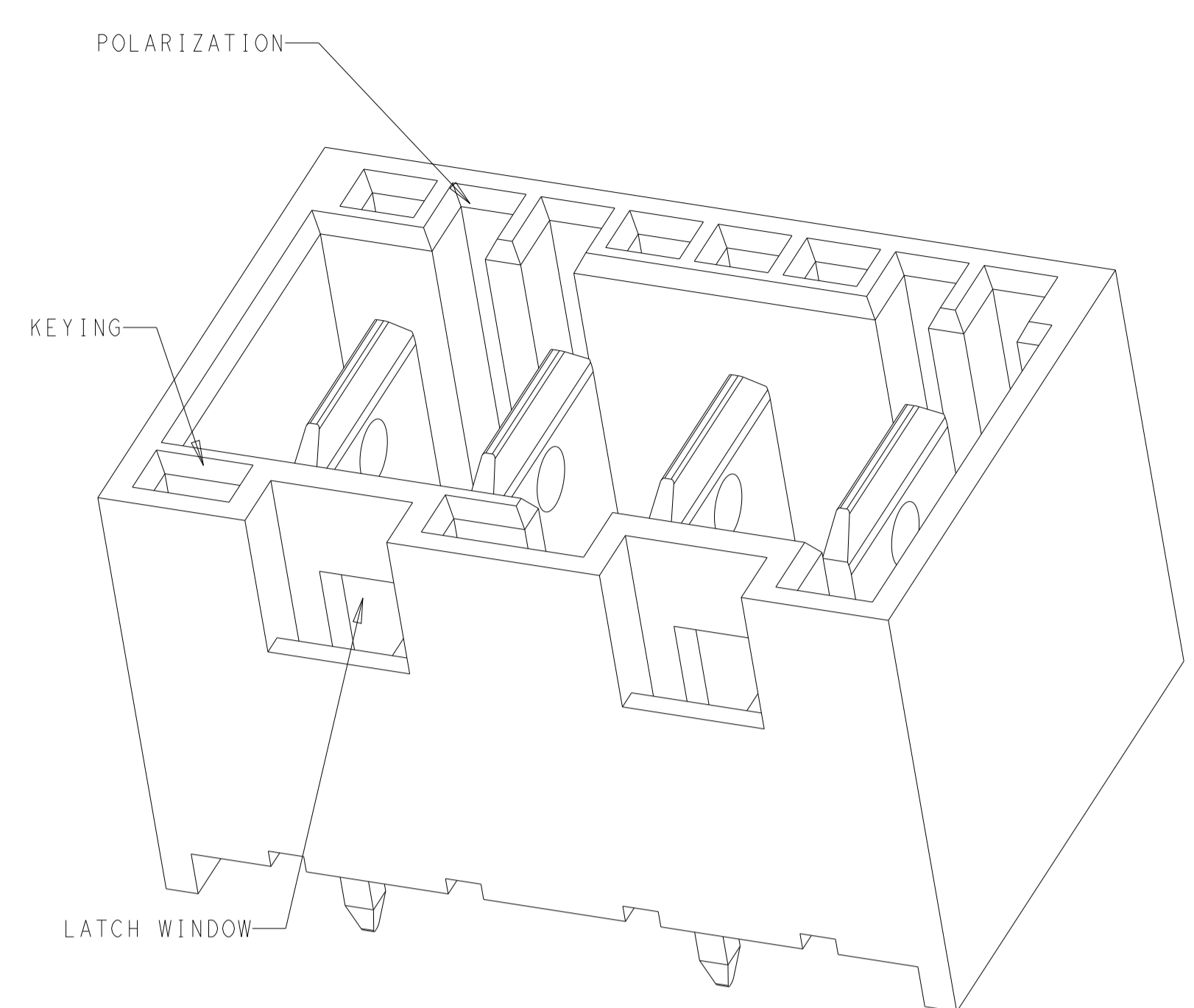
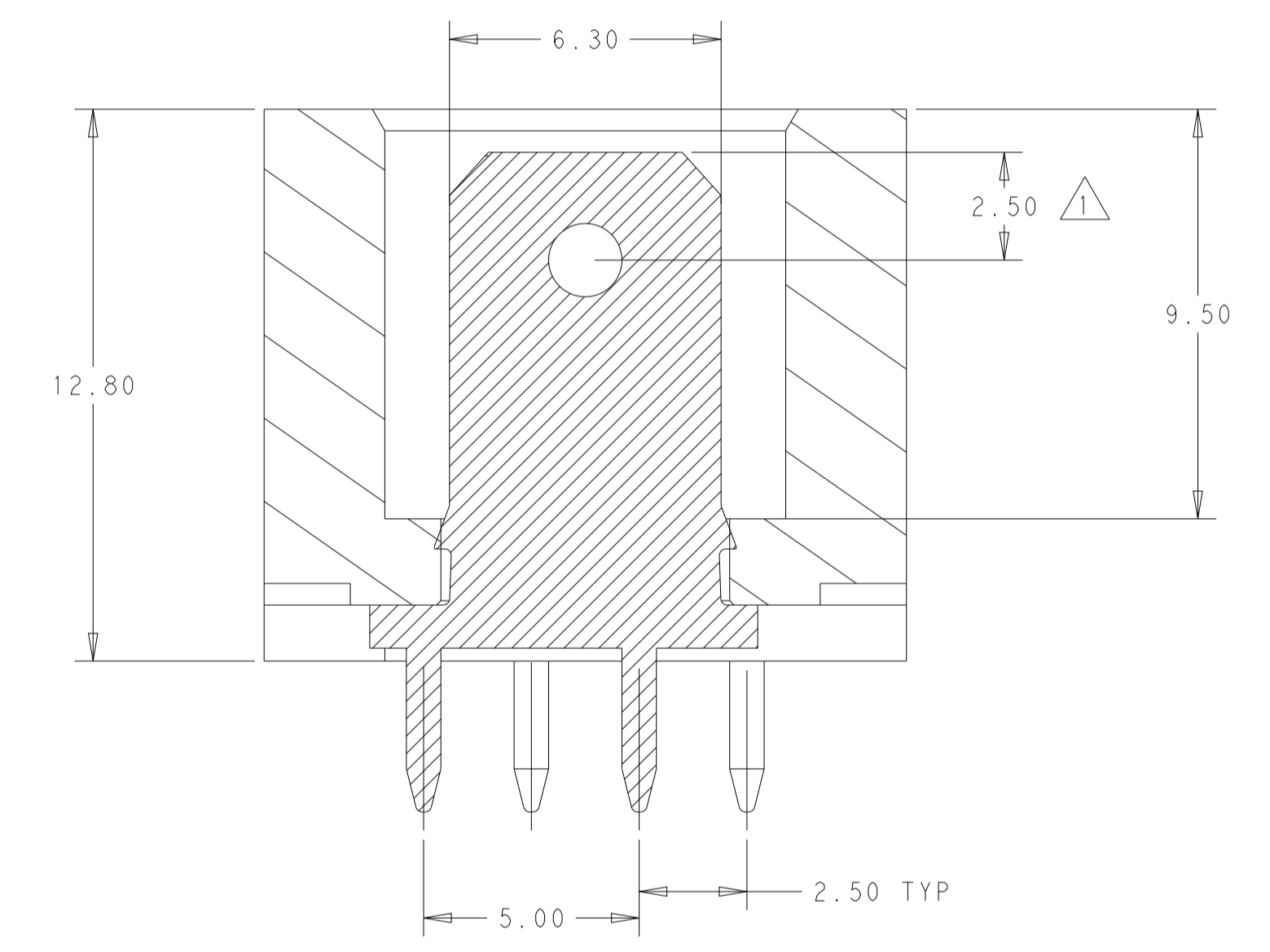
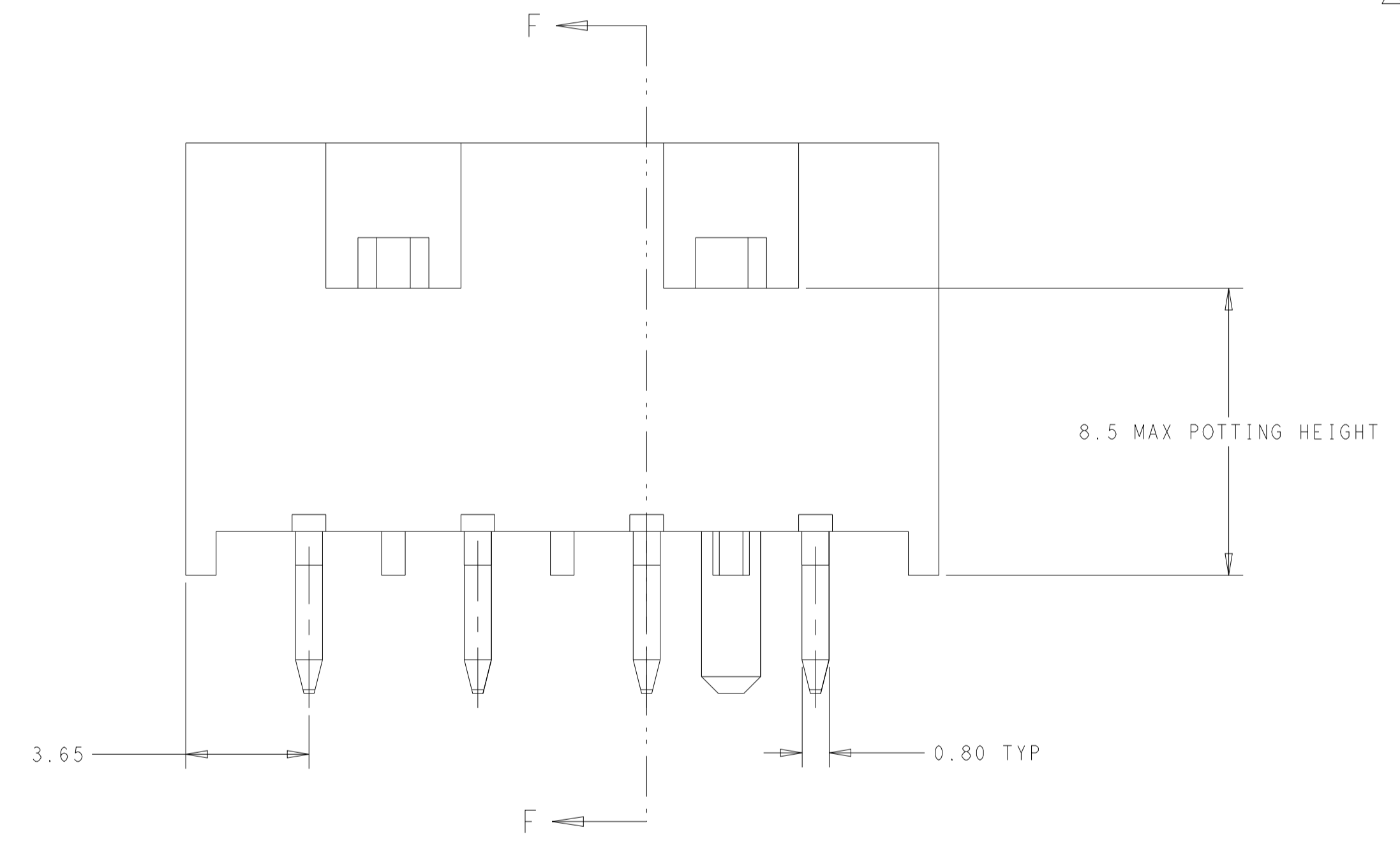
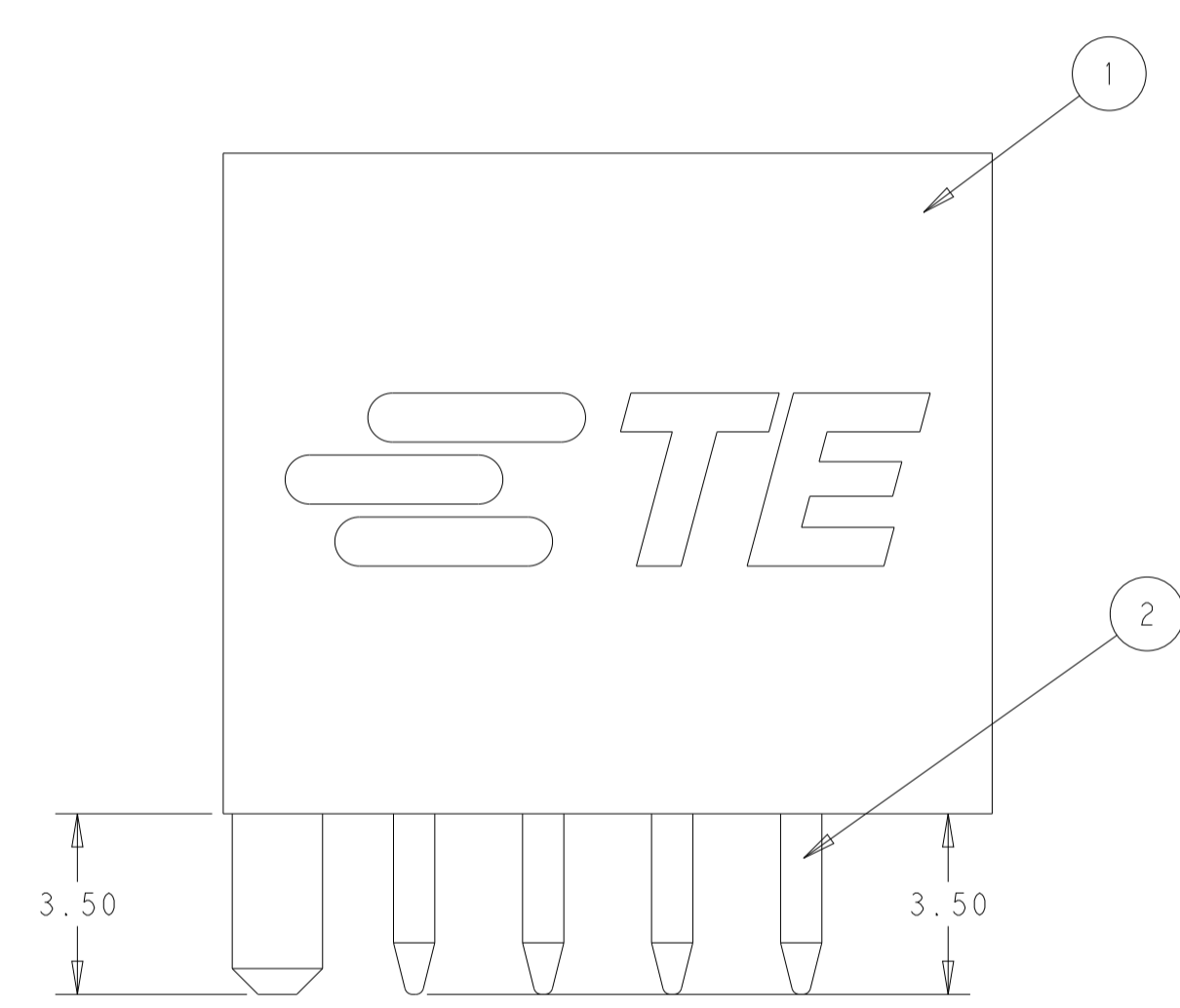


REVISIONS				
P	LTN	DESCRIPTION	DATE	APVD
B	ECR-21-100869		31MAR2021	PJ FL
B1	ECR-21-105673		06JUL2021	LZ FL
B2	ECR-21-118862		10NOV2021	SM FL
B3	ECR-23-197565		10FEB2023	TL FL

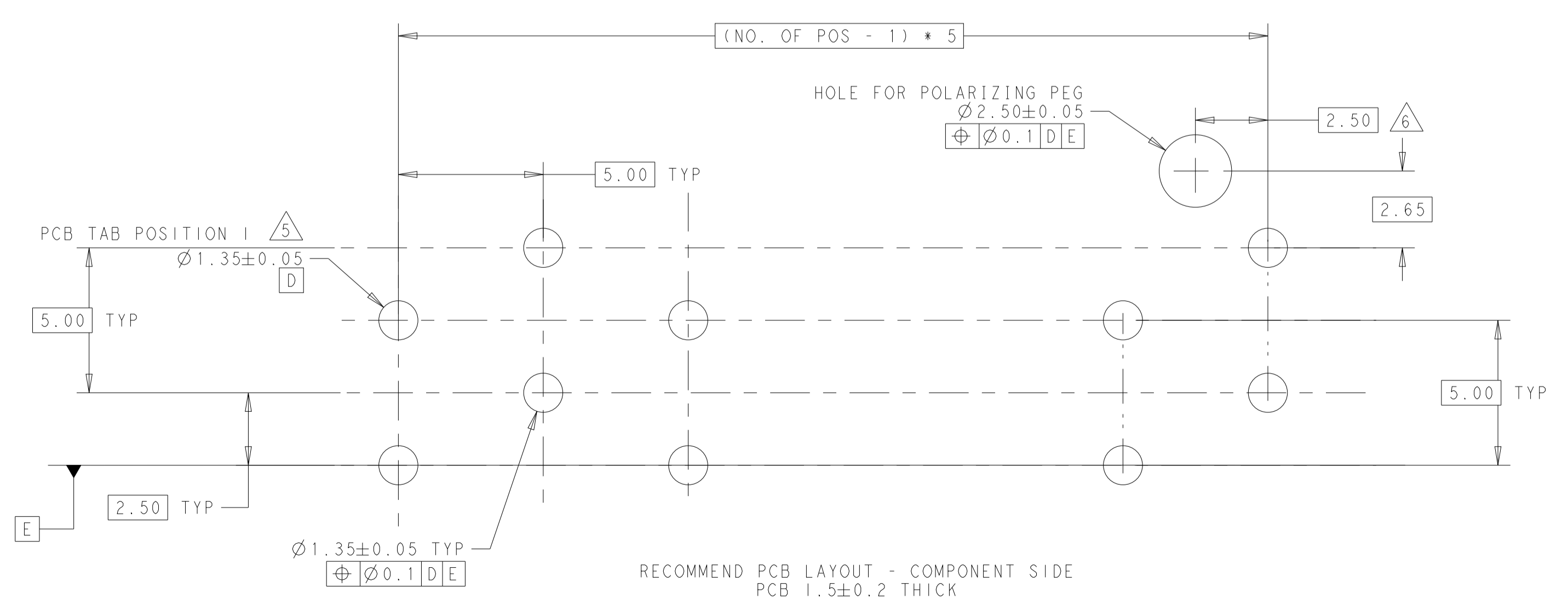


NOTES:

- △ HOUSING HAS RAST 5 COMPLIANT KEYING, LATCHING, AND POLARIZATION TAB IS 6.30 X 0.8, HOWEVER THE LOCATION OF THE TAB HOLE DOES NOT MEET DIN 46244
- 2 SEE SHEET 2 FOR AVAILABLE CONFIGURATIONS
- 3 MATERIAL: HOUSING, NYLON, UL94 V0, 750°C GWT NO FLAME  
CONTACT: COPPER ALLOY, 0.8MM THICK
- 4 FINISH: CONTACTS, MATTE TIN PLATING OVERALL, NICKEL UNDER-PLATING
- △ PCB TABS INSERTED IN A STAGGERED PATTERN BEGINNING WITH POSITION 1
- △ DIMENSION OFF OF LAST POSITION REGARDLESS OF EVEN OR ODD POSITION HEADER
- 7 PACKAGING: LOOSE PIECE
- △ PRELIMINARY PART - NOT RELEASED FOR PRODUCTION
- △ TOOL MARK ON TERMINAL SURFACE IS ACCEPTABLE WHICH DOES NOT IMPACT FUNCTION



SECTION F-F



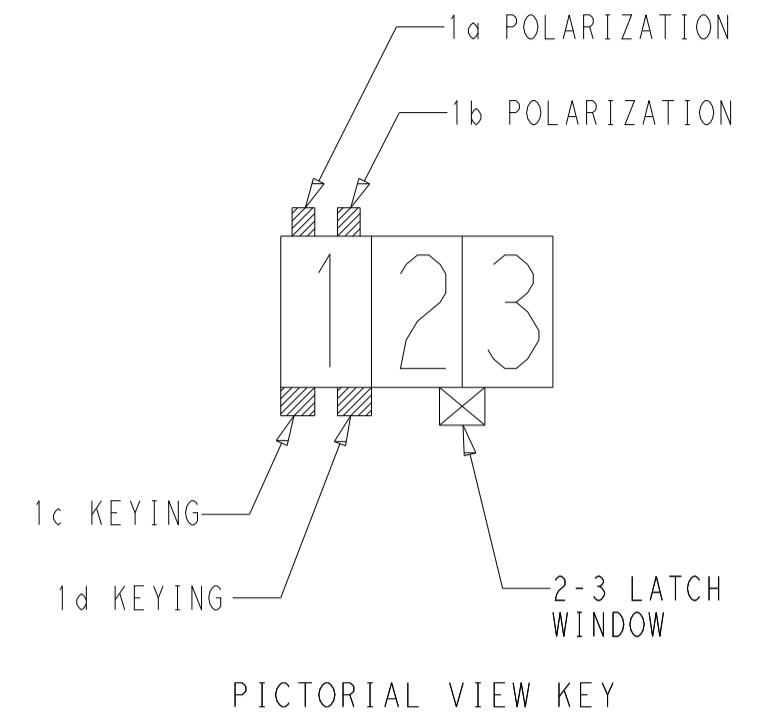
20.30	22.30	4
15.30	17.30	3
10.30	12.30	2
M	N	NO. OF POS.

THIS DRAWING IS A CONTROLLED DOCUMENT.

DIMENSIONS:	TOLERANCES UNLESS OTHERWISE SPECIFIED:	OWN: BASAVARAJA D A 21MAY2018	CHK: WANG, WINTER 21MAY2018	APVD: WANG, WINTER 21MAY2018	NAME: RAST 5 HDR ASSY, POSITIVE-LOCK SHROUDED, VERTICAL, OPPOSITE
mm	0 PLC ± 1 PLC ± 2 PLC ±0.25 3 PLC ± 4 PLC ± ANGLES ±°	FINISH: SEE NOTES	WEIGHT: -	SIZE: A1	CAGE CODE: -
MATERIAL: SEE NOTES	SEE NOTES	REVISIONS: -	DRAWING NO: C=2337101	SCALE: 7:1	SHEET 1 OF 2
CUSTOMER DRAWING			REV: B3		

TE Connectivity

REVISIONS				
P	LTN	DESCRIPTION	DATE	APVD
-		SEE SHEET 1	-	-



	NATURAL	2	POSITIVE-LOCK TAB CONTACT WITH MATTE TIN-PLATING	1	RAST 5 TAB HEADER HOUSING	2	2337101-2	2390869-2
LAYOUT	COLOR	QTY	TAB CONTACT (2)	QTY	HEADER HOUSING (1)	NO. OF POS	RESIN A	RESIN B
							TE PART NO.	

THIS DRAWING IS A CONTROLLED DOCUMENT.

DIMENSIONS: mm	TOLERANCES UNLESS OTHERWISE SPECIFIED:	DWN: BASAVARAJA D A 21MAY2018 CHK: WANG, WINTIE 21MAY2018 APVD: WANG, WINTIE 21MAY2018	<b>TE</b> TE Connectivity NAME: RAST 5 HDR ASSY, POSITIVE-LOCK SHROUDED, VERTICAL
0 PLC ± 1 PLC ± 2 PLC ±0.25 3 PLC ± 4 PLC ± ANGLES ±3° FINISH	SEE NOTES SEE NOTES	PRODUCT SPEC: 108-106080 APPLICATION SPEC:	SIZE: A1 CAGE CODE: - DRAWING NO: C=2337101 RESTRICTED TO: -
MATERIAL: SEE NOTES		WEIGHT: -	CUSTOMER DRAWING SCALE: 8:1 SHEET 2 OF 2 REV B3