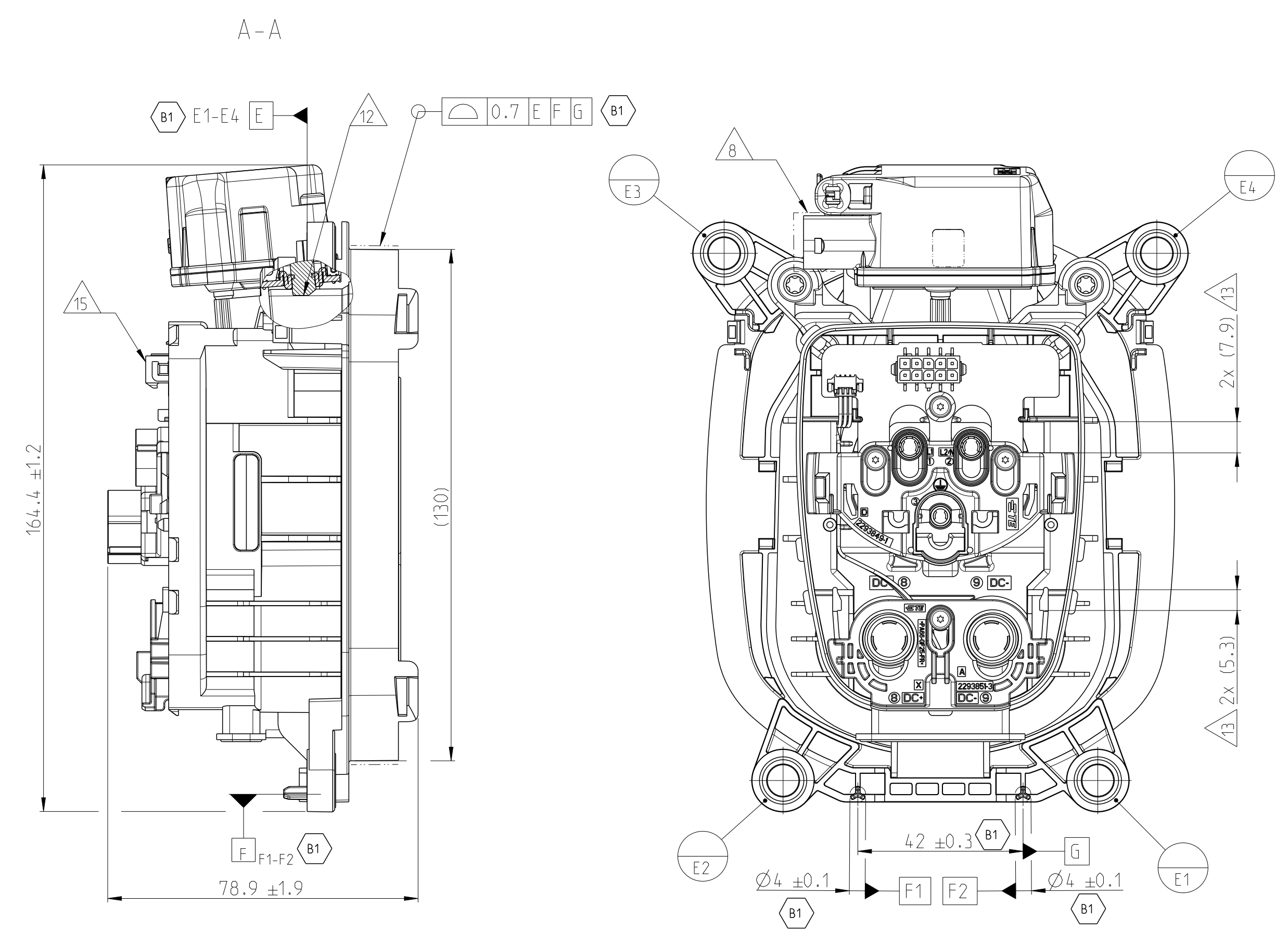
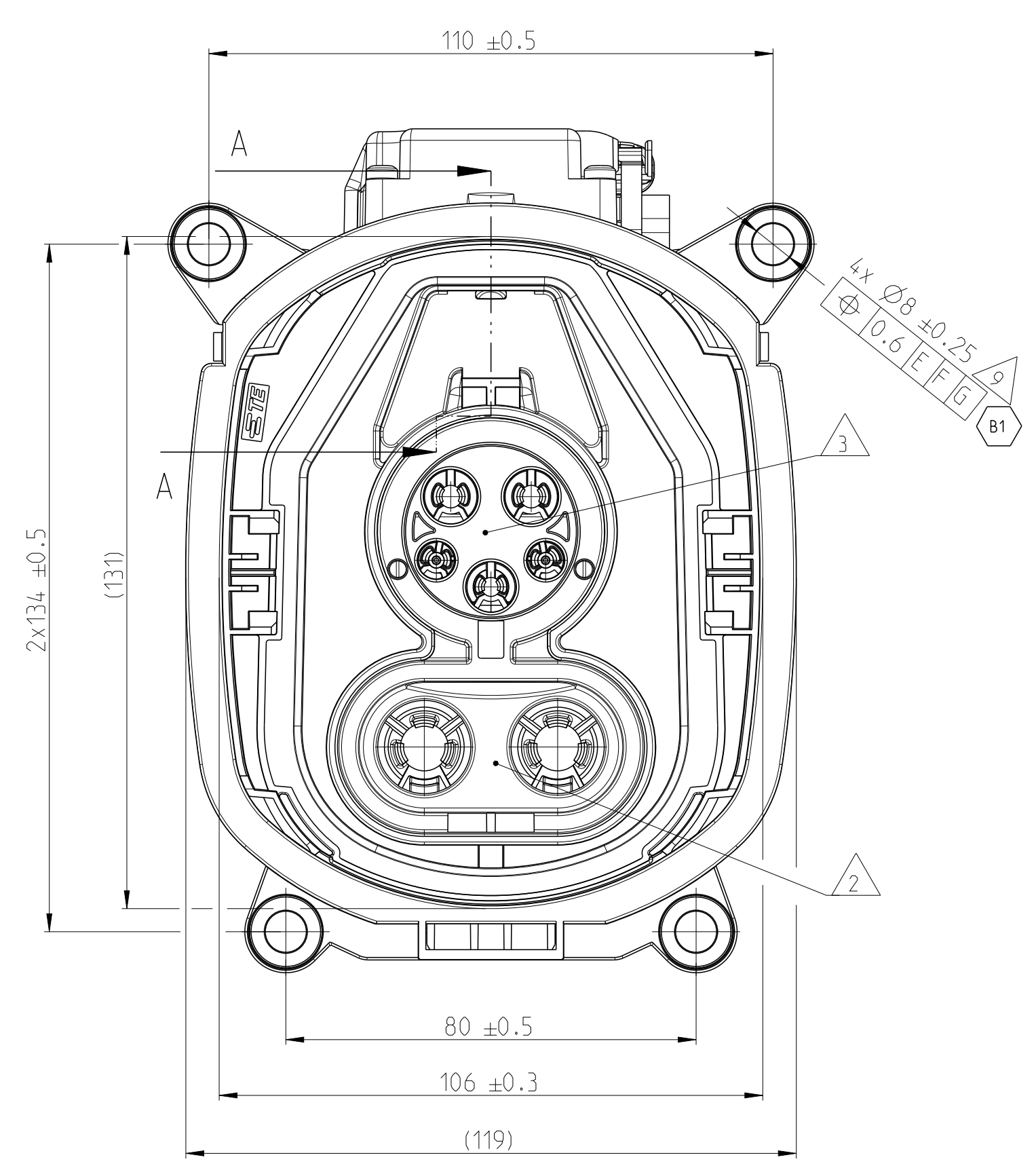
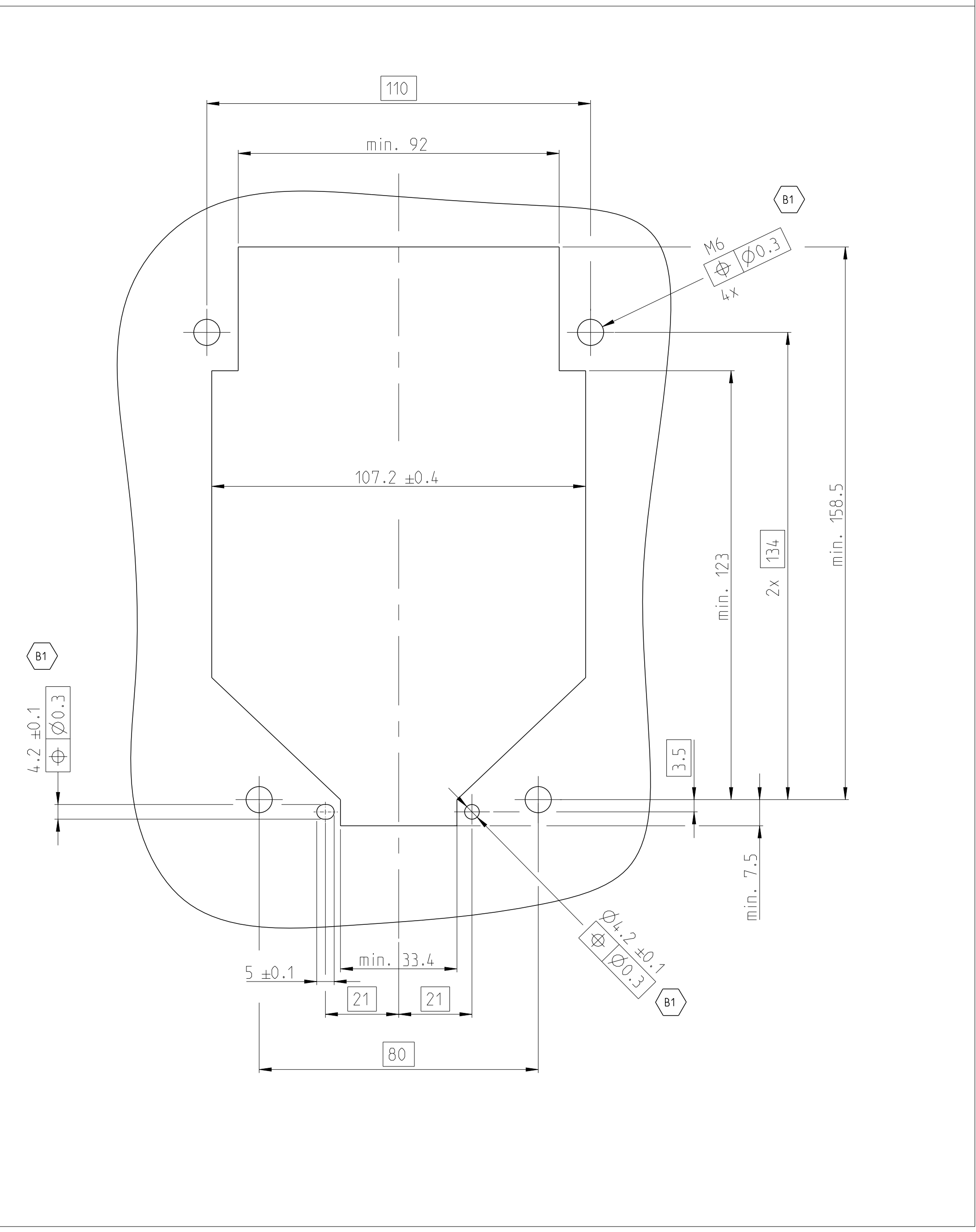


REVISIONS				
REV	DATE	DESCRIPTION	BY	APPD
B	20180202	180 DEGREE AC AND DC CABLE EXIT VARIANT IS ADDED IN SHEET 5. BOM TABLE UPDATED	HKS	SK
B1	20180203	GEOMETRICAL DIMENSIONS ADDED FOR SEALING SURFACE AND MOUNTING HOLES	HKS	FW

**REQUIREMENT FOR MOUNTING PLATE**

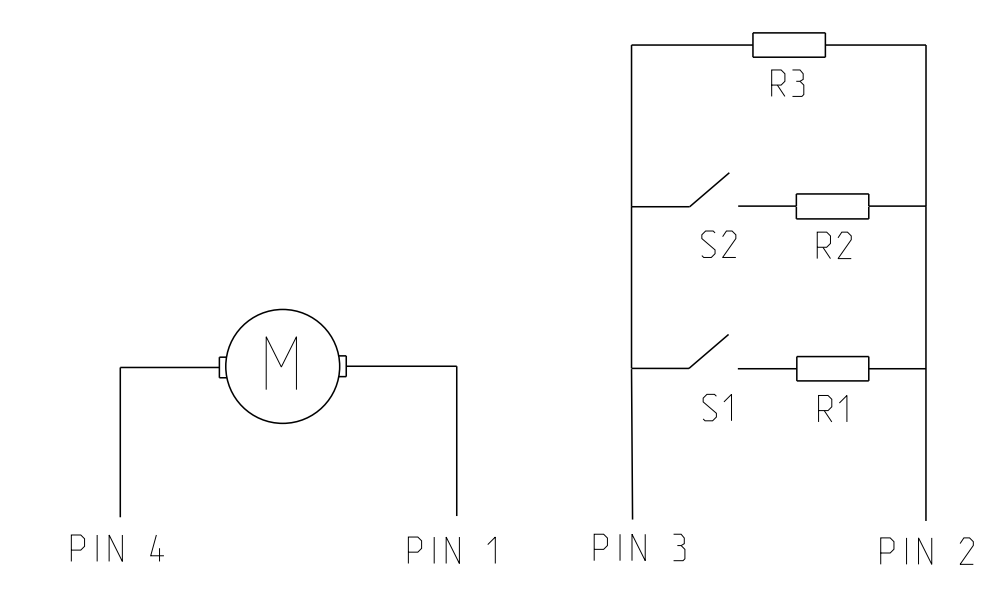


- NOTES**
- 1 CHARGE INLET SIMILAR TO IEC62196-3.CCS 1. SHEET 3-111a
  - 2 CHARGE INLET SIMILAR TO IEC62196-2.TYPE 1. SHEET 2-1
  - 3 SPECIFIED IN PRODUCT SPECIFICATION 108-94777
  - 6 COMPATIBLE PCB CONNECTOR: PN 1-794617-0 WITH TERMINAL PN 0-794606-1
  - 7 FUNCTIONAL AND ELECTRICAL REQUIREMENTS OF ACTUATOR SEE SPECIFICATION 108-94519
  - 8 COMPATIBLE CONNECTOR FOR ACTUATOR: 1-967640-1
  - 9 APPLICABLE SCREWS FOR MOUNTING. HEAD DIAMETER MIN. 10.5mm. TORQUE 6Nm±0.9Nm FOR M6 SCREWS
  - 10 DELIVERY CONDITION OF ACTUATOR: IN BASE POSITION
  - 11 DELIVERY CONDITION SEC. LOCKS IN PRELOCK POSITION
  - 12 MAKE SURE THAT NO MECHANICAL FORCES ARE APPLIED ON THE HEADER OF THE PCBA
  - 16 COMPATIBLE WITH FLAP ASSY X-2337030-1

**ACTUATOR WIRE CONFIGURATION**

PIN 3	PIN 2	SENSE RESISTANCE	FUNCTION
-	+	11.000 kOhm ± 2%	LOCKED
-	+	2.194 kOhm ± 2%	DRIVE/FAULT
-	+	0.989 kOhm ± 2%	UNLOCKED

PIN 1	PIN 4	FUNCTION
-	+	UNLOCKING
+	-	LOCKING

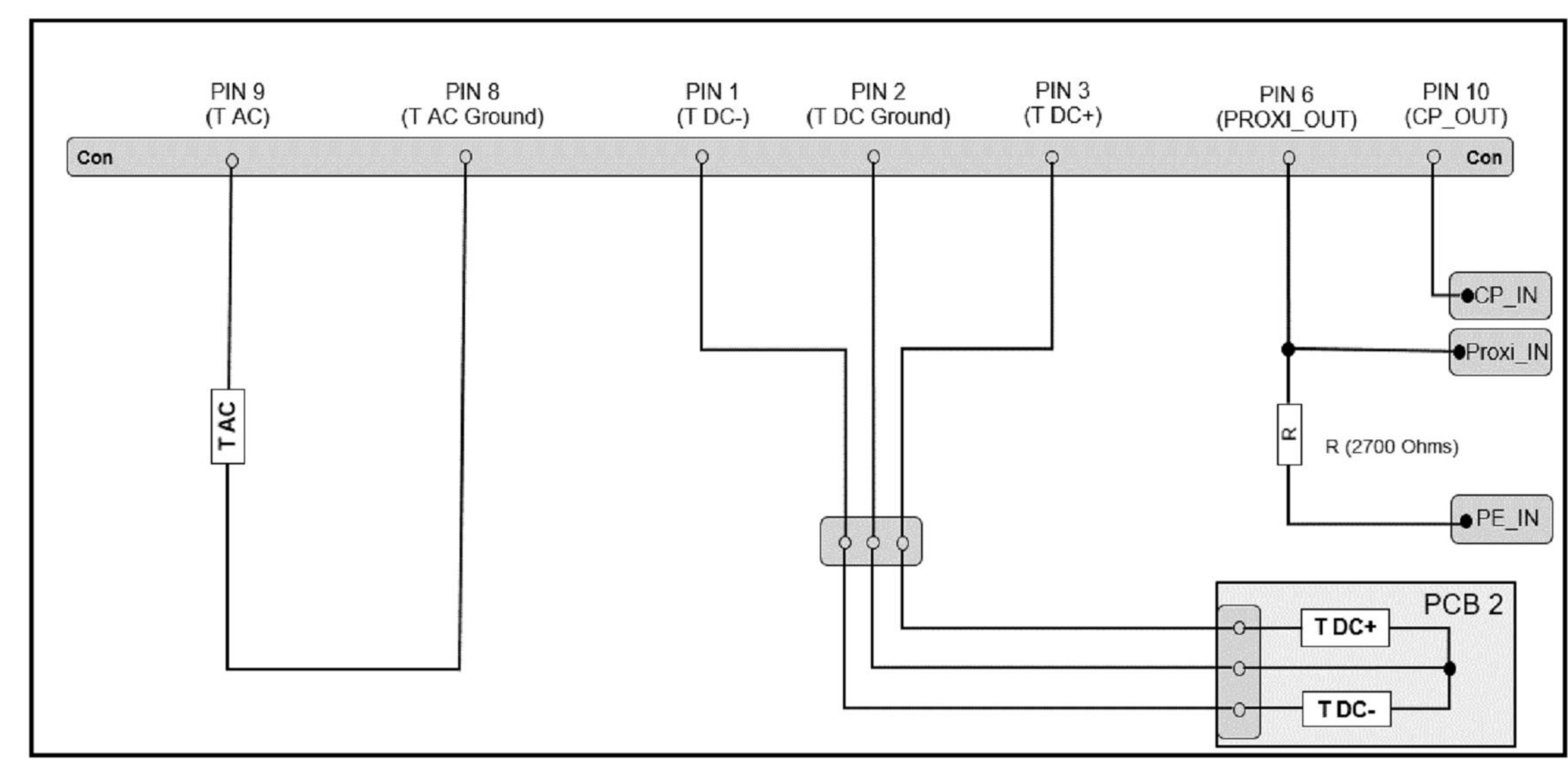


TEMPERATURE (°C)	RESISTANCE (Ω)
-40	232634
-35	173538
-30	130769
-25	99489
-20	76385
-15	59157
-10	46194
-5	36356
0	28829
5	23025
10	18515
15	14986
20	12205
25	10000
30	8240.3
35	6827.5
40	5686.6
45	4760.3
50	4004.2
55	3383.8
60	2872.3
65	2448.5
70	2095.9
75	1801.2
80	1553.8
85	1345.3
90	1168.9
95	1019.2
100	891.48

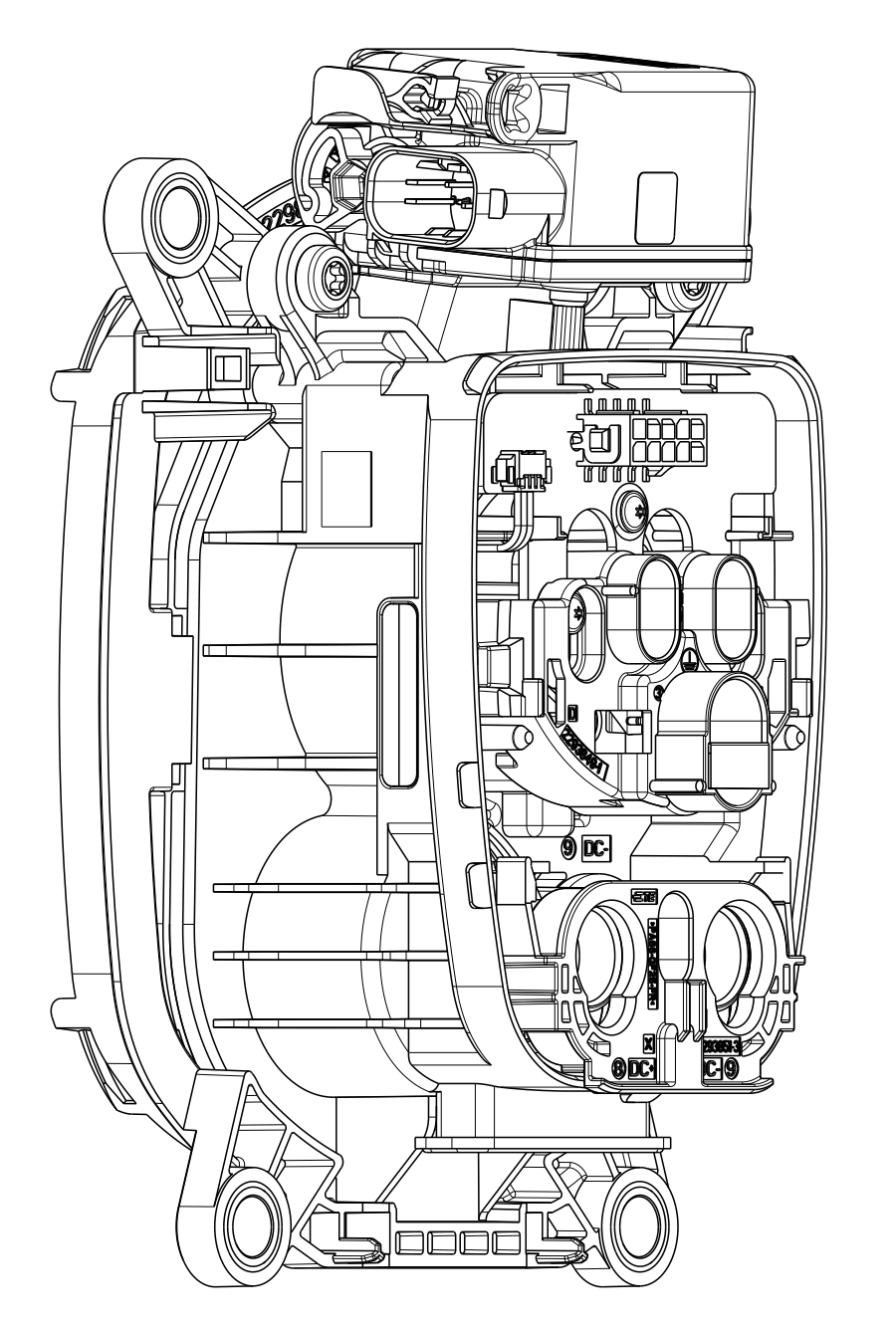
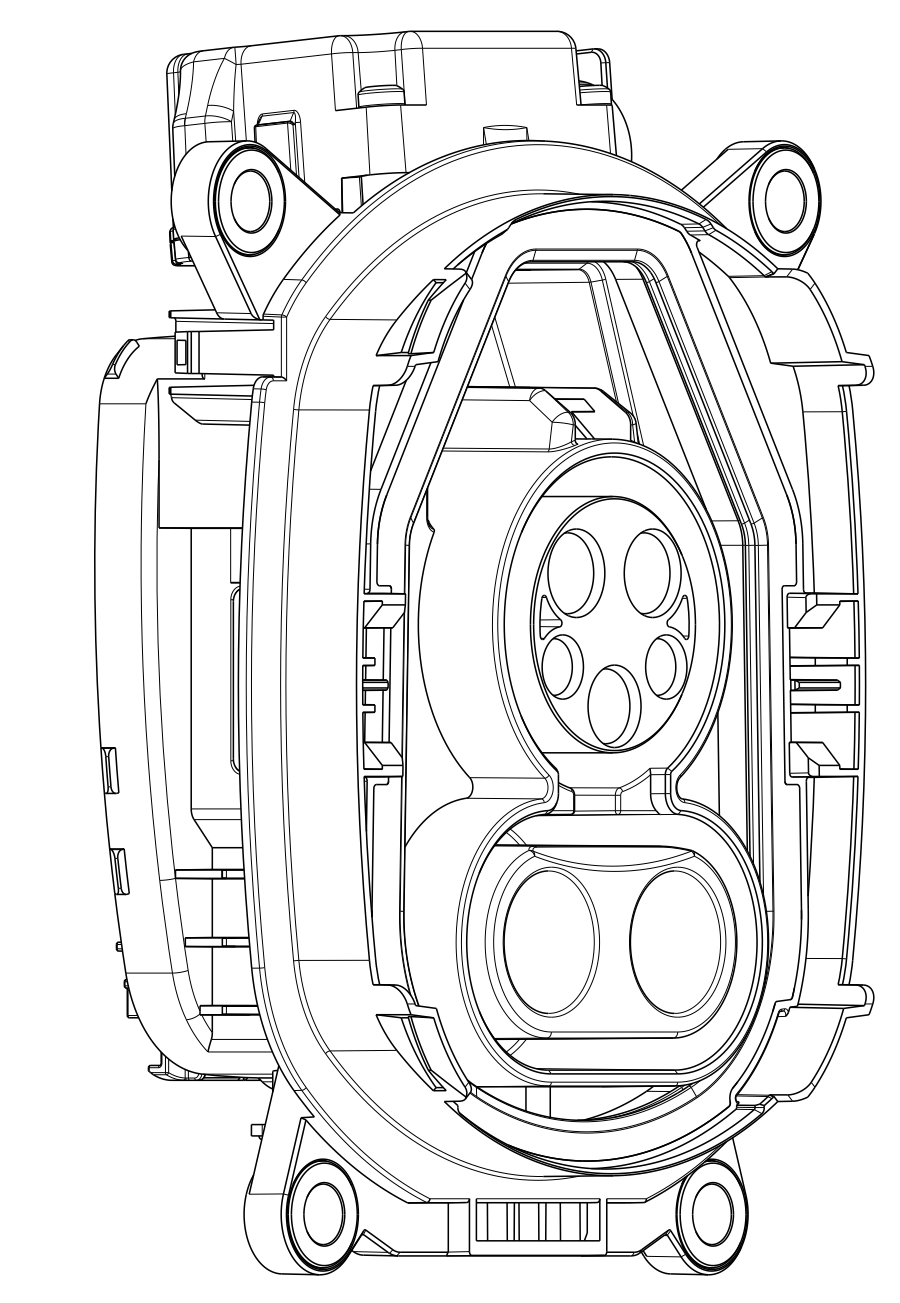
**PINNING PCB**

PIN NO.	COMBO1
1	T DC-
2	T DC GROUND
3	T DC+
4	-
5	-
6	PROXI
7	-
8	T AC GROUND
9	T AC
10	CP
11	-
12	-

**CIRCUIT DIAGRAM ( FOR INFORMATION ONLY )**



**AS SHOWN  
9-2337006-1  
ISOMETRIC VIEW**

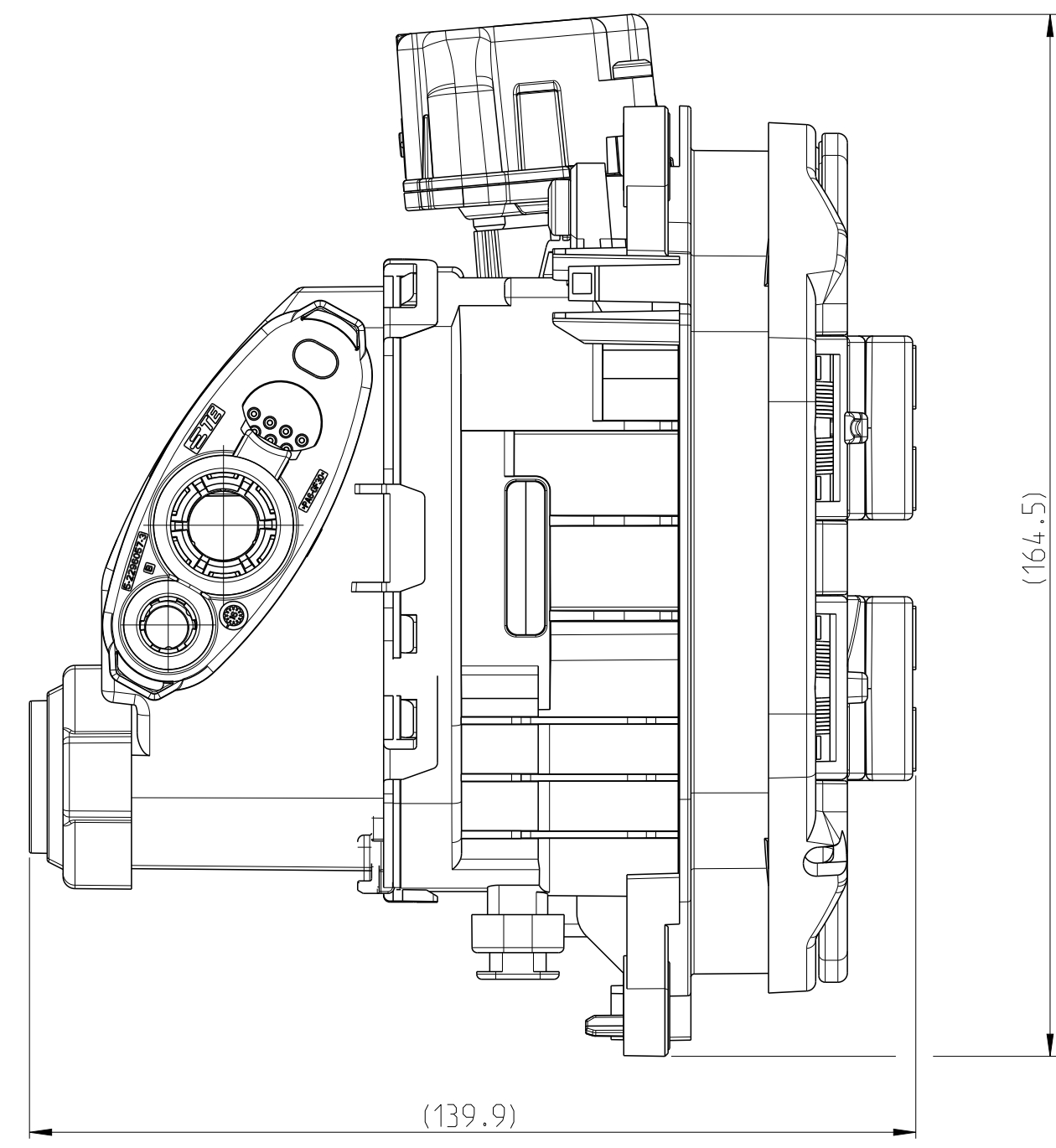
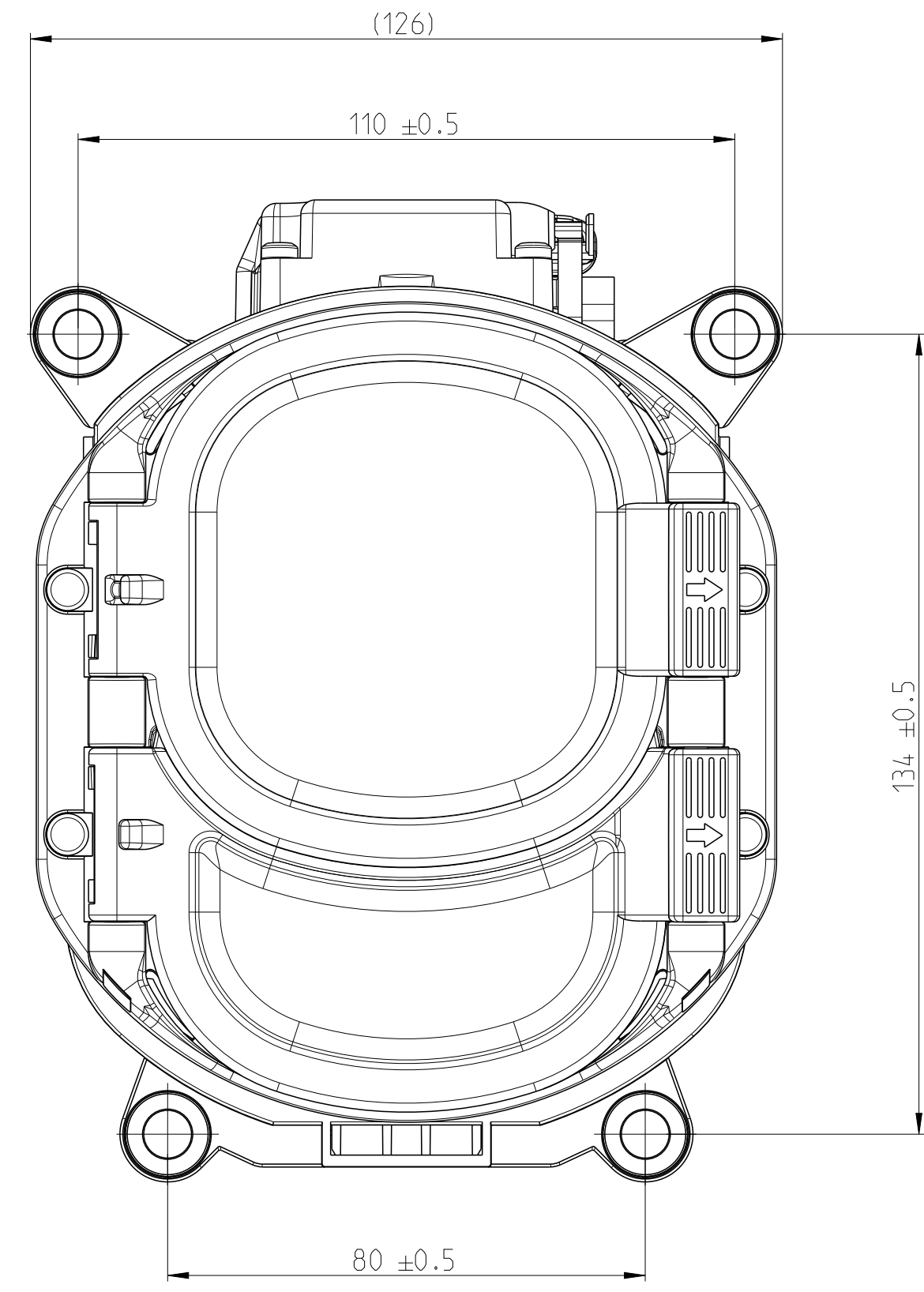


THIS DRAWING IS A CONTROLLED DOCUMENT. DIMENSIONING AND TOLERANCING PER GPS ISO STANDARDS. DIMENSIONS UNLESS OTHERWISE SPECIFIED: ISO 2768-MS. FINISH: SEE TABLE. CUSTOMER DRAWING.

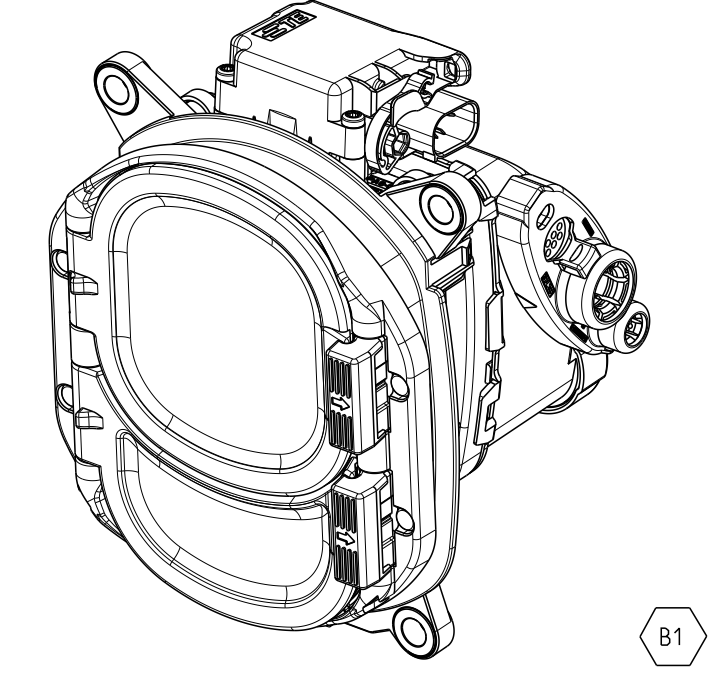
DATE: 11APR2015  
 DRAWN BY: S. Kumbhar  
 CHECKED BY: W. Litzlock  
 APPROVED BY: W. Litzlock  
 PRODUCT SPEC: 108-94777  
 APPLICATION SPEC: -

NAME: CHARGE INLET, COMBO 1 IEC62196-3  
 SIZE: A0  
 CASE CODE: -  
 DRAWING NO: 9-2337006  
 SCALE: 1:1  
 SHEET: 1 of 5  
 RESTRICTED TO: -  
 REV: B1



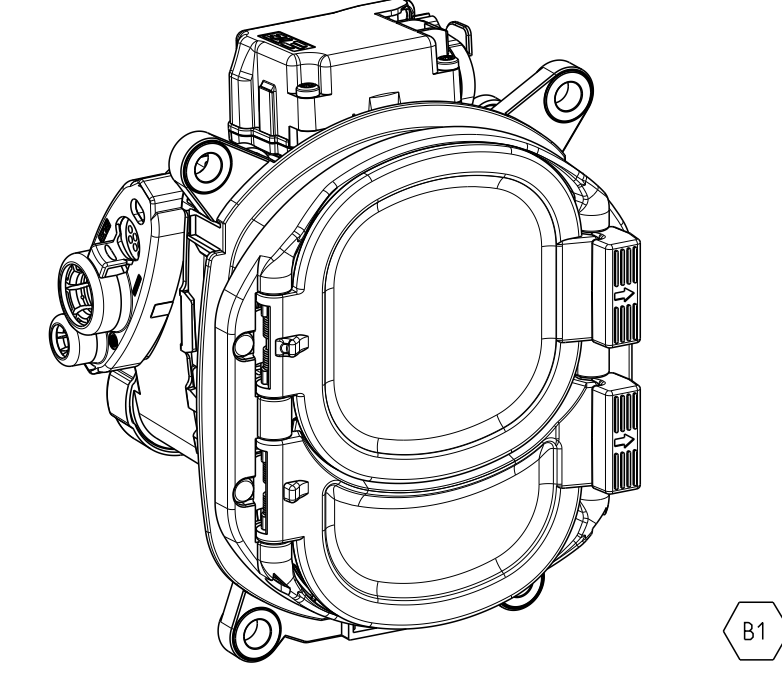


CHARGE INLET ASSY RIGHT  
FLAP ASSY LEFT  
I2



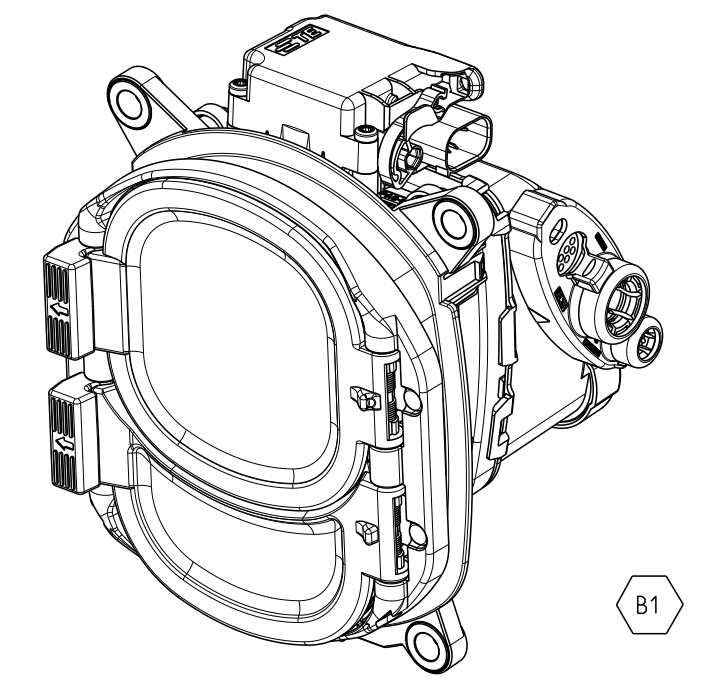
2-2337006-1 + 8-2337030-1

CHARGE INLET ASSY LEFT  
FLAP ASSY LEFT  
I2



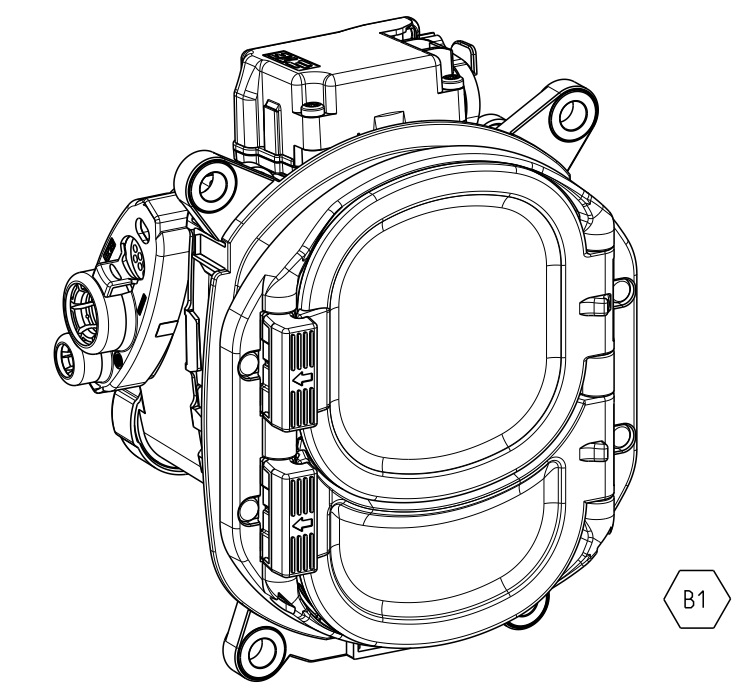
1-2337006-1 + 8-2337030-1

CHARGE INLET ASSY RIGHT  
FLAP ASSY RIGHT  
I2



2-2337006-1 + 9-2337030-1

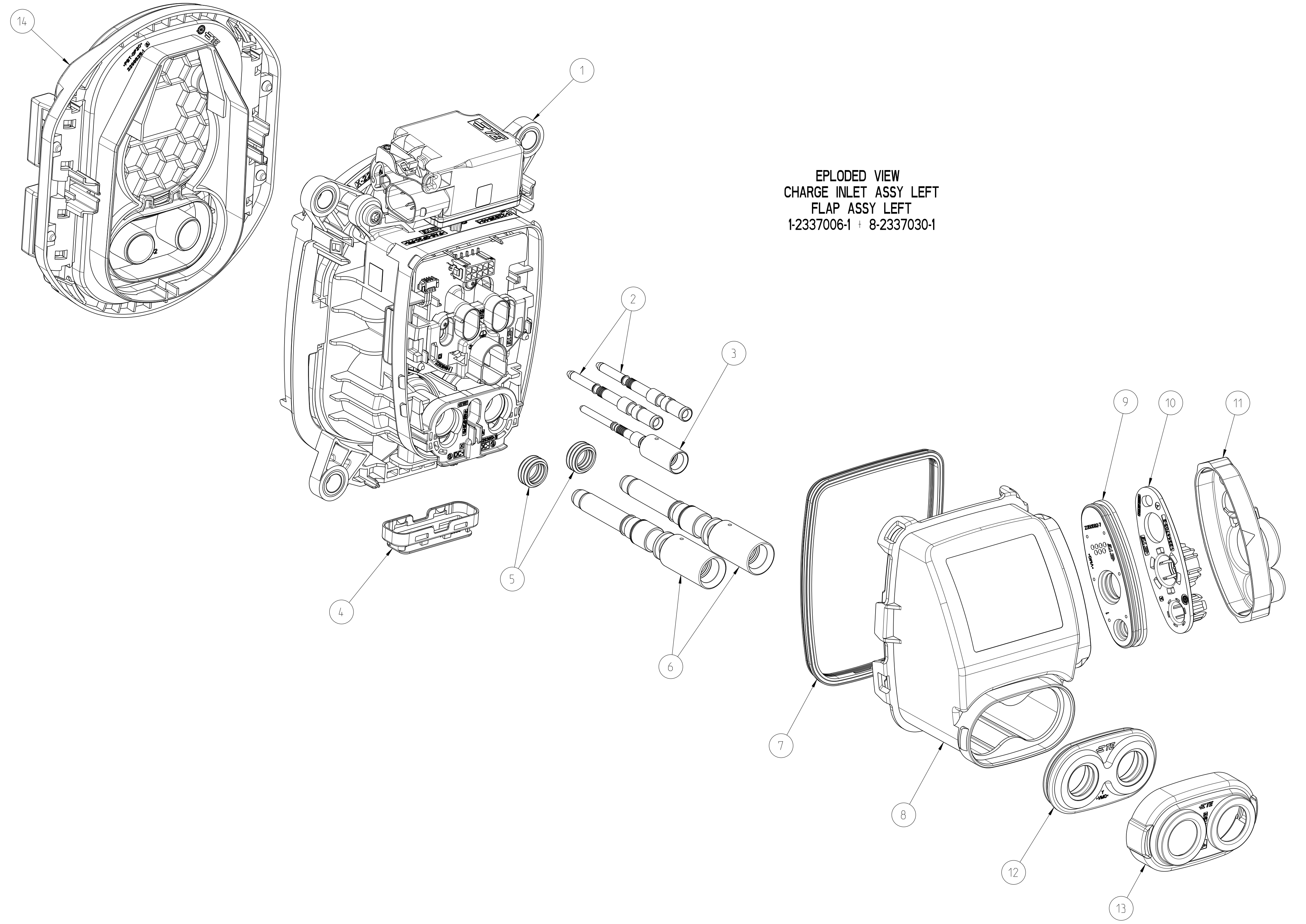
CHARGE INLET ASSY LEFT  
FLAP ASSY RIGHT  
I2



1-2337006-1 + 9-2337030-1

REVISIONS				
REV	DATE	DESCRIPTION	BY	APPD
-	-	SEE SHEET 1	-	-

- NOTES
- NOT FOR SALE. DESCRIBES ONLY THE BOM AND THE ASSEMBLY OF THE COMPLETE PRODUCT
  - CHARGE INLET SIMILAR TO IEC62196-3.CCS 1, SHEET 3-111a
  - ADAPTIVE CABLES SEE APPLICATION SPECIFICATION 114-94649
  - COMPATIBLE PCB CONNECTOR: PN 1-794617-0 WITH TERMINAL PN 0-794606-1
  - FUNCTIONAL AND ELECTRICAL REQUIREMENTS OF ACTUATOR SEE SPECIFICATION 108-94519
  - COMPATIBLE CONNECTOR FOR ACTUATOR: 1-967640-1
  - APPLICABLE SCREWS FOR MOUNTING. HEAD DIAMETER MIN. 10.5mm. TORQUE 6Nm±0.9Nm FOR M6 SCREWS
  - MAX VOLTAGE AND CURRENT RATING FOR AC AND DC. SEE PRODUCT SPECIFICATION 108-94777



EXPLODED VIEW  
CHARGE INLET ASSY LEFT  
FLAP ASSY LEFT  
1-2337006-1 + 8-2337030-1

FLAP OPTIONS AVAILABLE (COMPATIBLE TO ALL INLETS)	9-2337030-1	A	FLAP ASSY.INLET COMBO RIGHT	-	BLACK	14
		8-2337030-1	A	FLAP ASSY.INLET COMBO LEFT	-	BLACK
	ORDER PN	REV	ADDITIONAL COMPONENTS/ ACCESSORIES DESCRIPTION	MATERIAL	SURFACE/COLOR	ITEM NO

1	1	5-2296059-4	A	COVER, CABLE SEAL, COMBO DC	PA6-(GF10+GB20)	BLACK	13
1	1	2296058-4	A	FAMILY SEAL, COMBO DC	VMQ	RED	12
1	1	5-2296057-3	B	COVER, CABLE SEAL, AC	PA6-GF10+GB20	BLACK	11
1	1	1-2344703-2	A	STRAIN RELIEF, AC	PA6-(GF+GB)30	BROWN	10
1	1	2350592-7	B	AC FAMILY SEAL	VMQ	LIGHT GREY	9
-	1	5-2296039-4	B	CABLE EXIT, RECT, COMBO RIGHT	PA6-(GF10+GB20)	BLACK	8
1	-	5-2296039-3	B	CABLE EXIT, RECT, COMBO LEFT	PA6-(GF10+GB20)	BLACK	8
1	1	0-2320511-1	B	PERIPHERAL SEAL	VMQ	RUST RED	7
2	2	2292541-1	A	PIN, DIA8.0 CONTACT ASSY TYP1 50mm <sup>2</sup>	COPPER	SILVER/TIN	6
2	2	2120571-1	A	SEALING	VMQ	NATURAL	5
1	1	2292534-1	B	PROTECTION CAP.WATER DRAIN	PA6-GF10+GB20	BLACK	4
1	1	2293267-5	A	PIN CONTACT, DIA2.8, PE 25mm <sup>2</sup>	BRASS	SILVER	3
2	2	2293266-3	A	PIN CONTACT, DIA3.6, L/N, ASSY 6mm <sup>2</sup>	BRASS	SILVER	2
1	1	9-2337006-1	B	INLET HSG, COMBO1, ASSY	-	-	1

1-2337006-1 CHARGE INLET ASSY LEFT	2-2337006-1 CHARGE INLET ASSY RIGHT	ORDER PN	REV	PART DESCRIPTION	MATERIAL	SURFACE/COLOR	ITEM NO
WIRE SIZE 6mm <sup>2</sup> / 50mm <sup>2</sup>							

THIS DRAWING IS A CONTROLLED DOCUMENT. DIMENSIONING AND TOLERANCING PER GPS ISO STANDARDS.

DATE: 11APR2018  
DRAWN: S. Kumbur  
CHECKED: W. Jitzack  
APPROVED: W. Jitzack

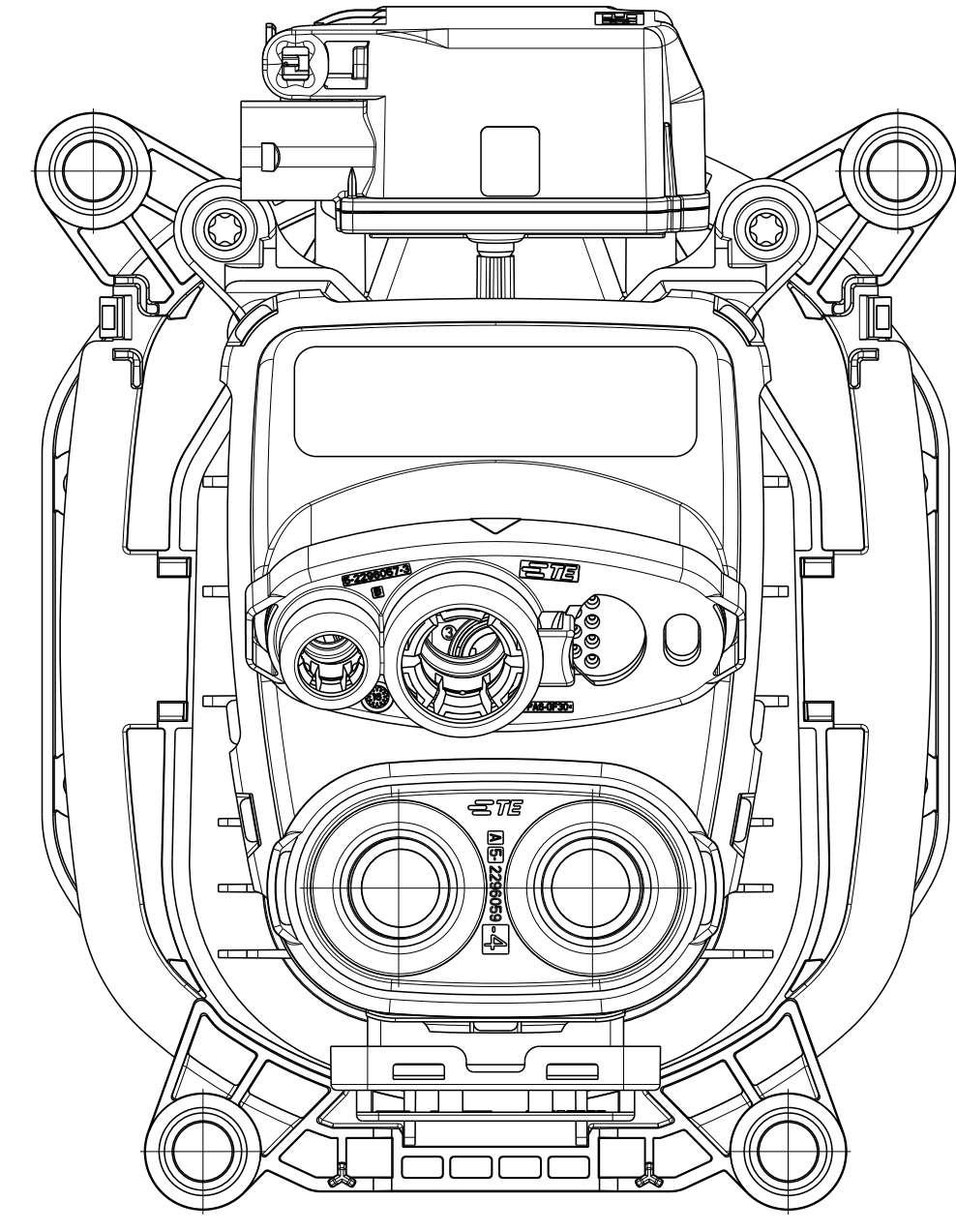
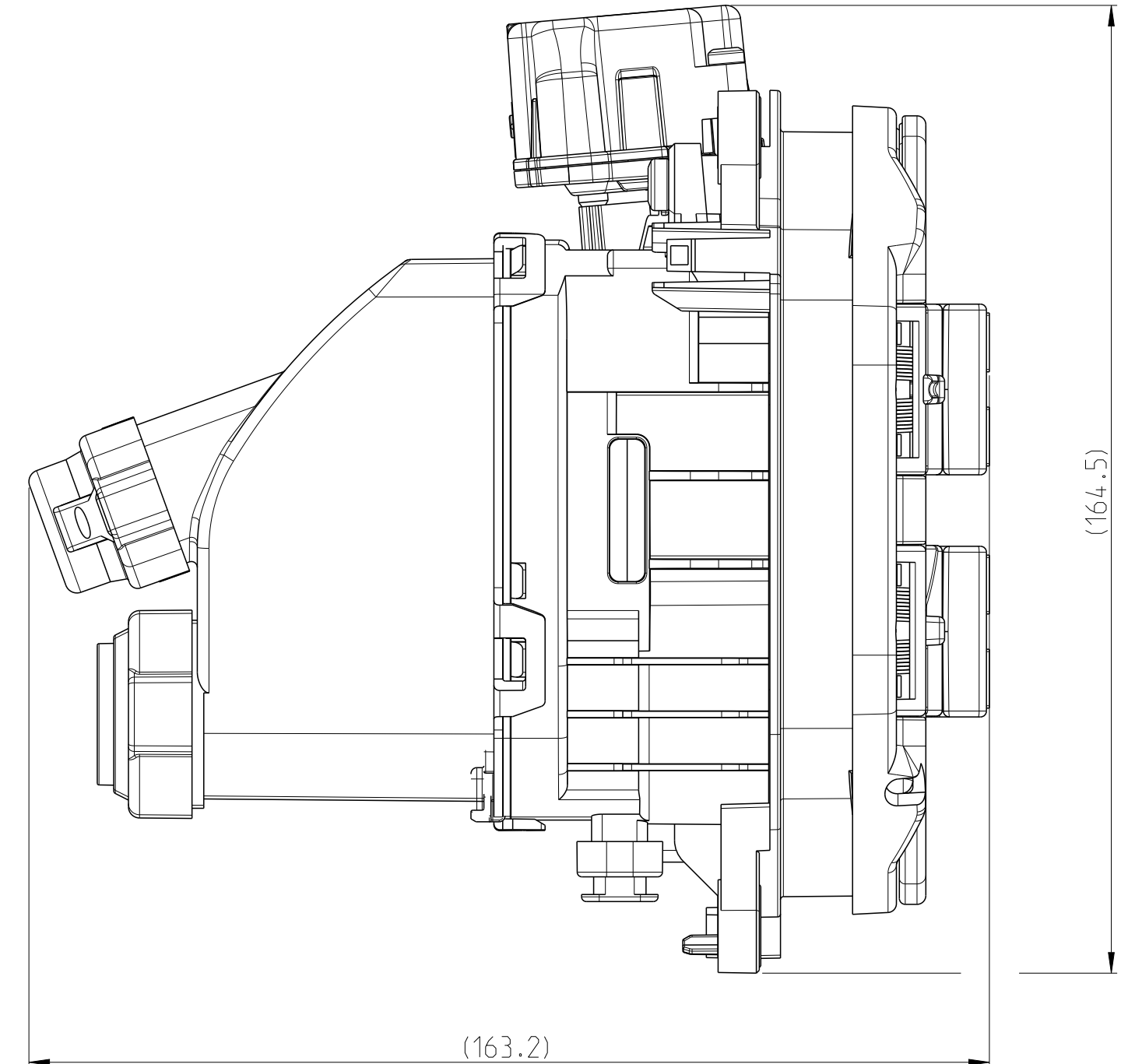
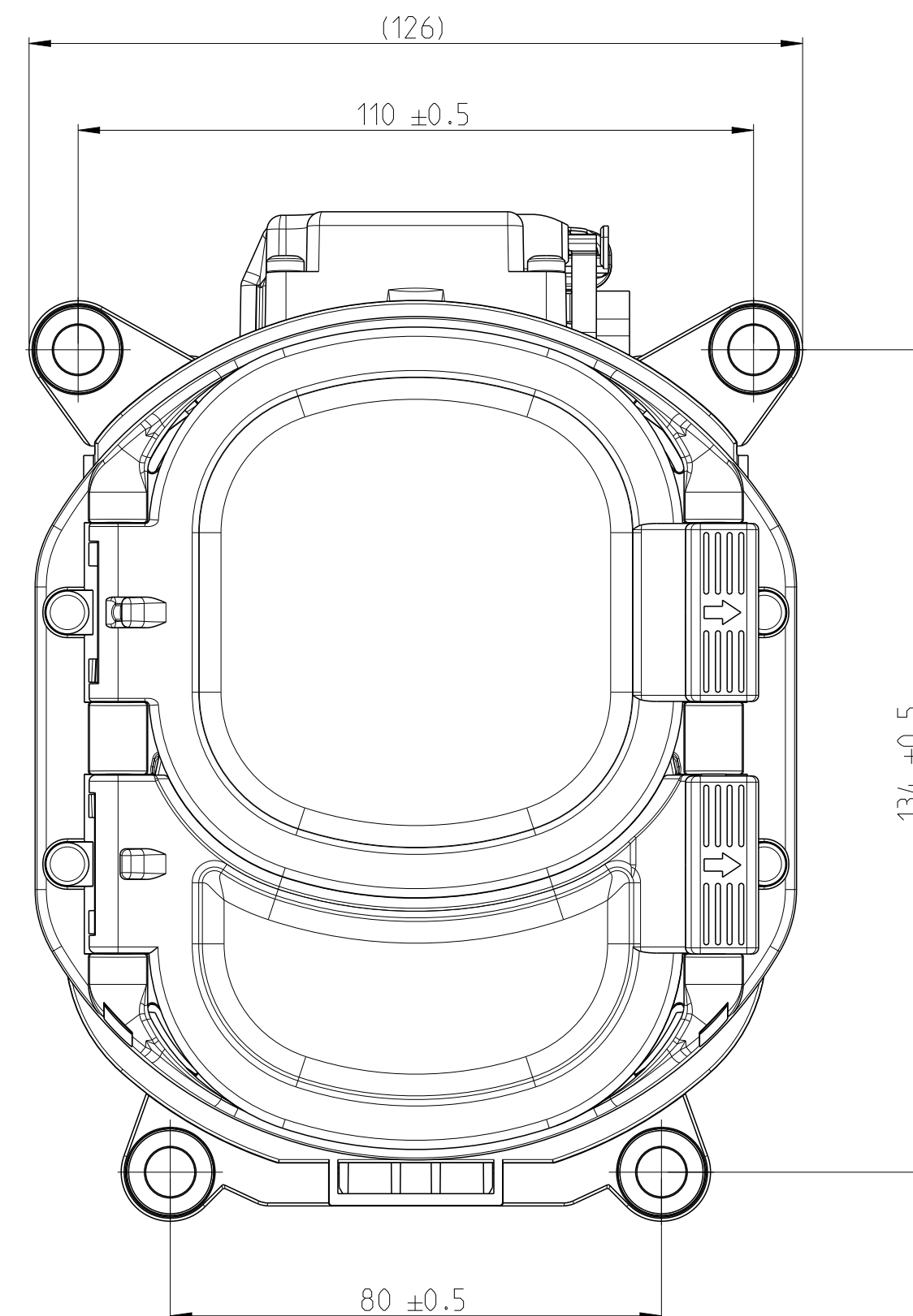
NAME: CHARGE INLET, COMBO 1 IEC62196-3

SCALE: 1:1

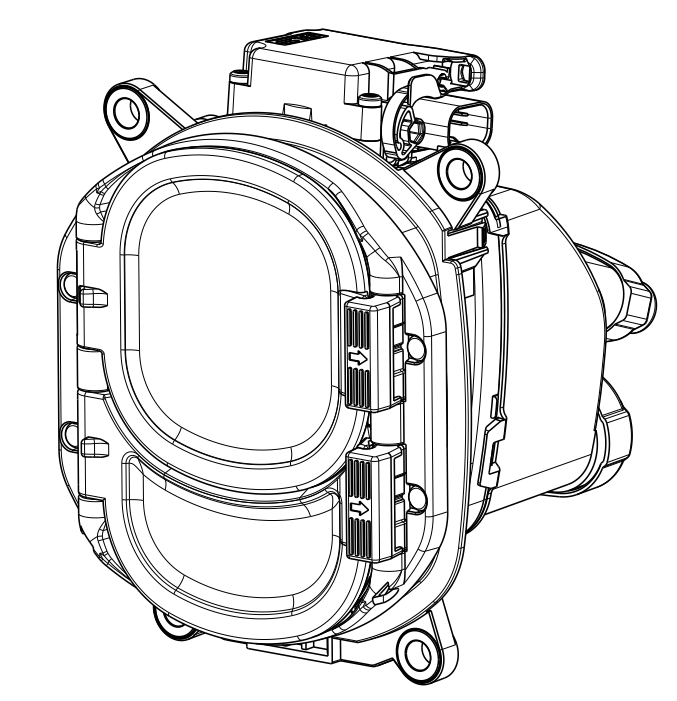
SHEET 3 OF 5

RESTRICTED TO



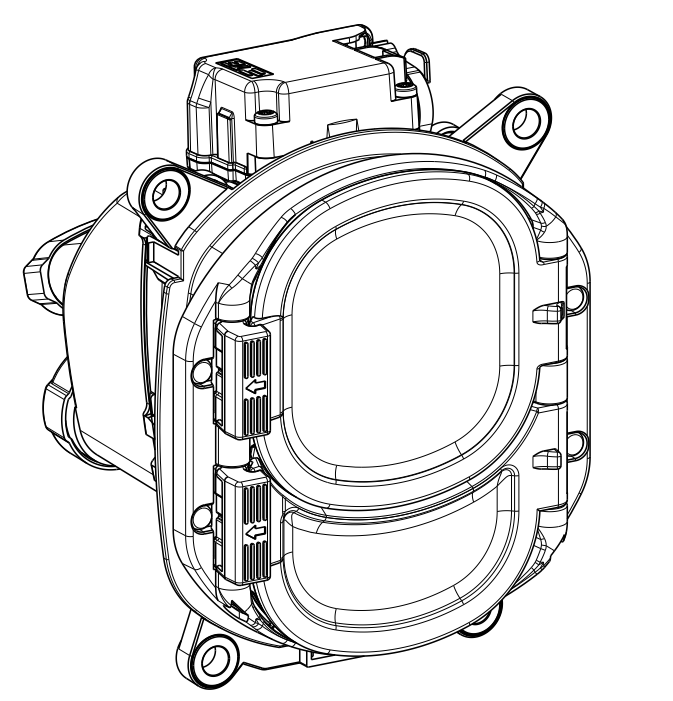


CHARGE INLET ASSY STRAIGHT  
FLAP ASSY LEFT  
12



3-2337006-1 + 8-2337030-1 <sup>B1</sup>

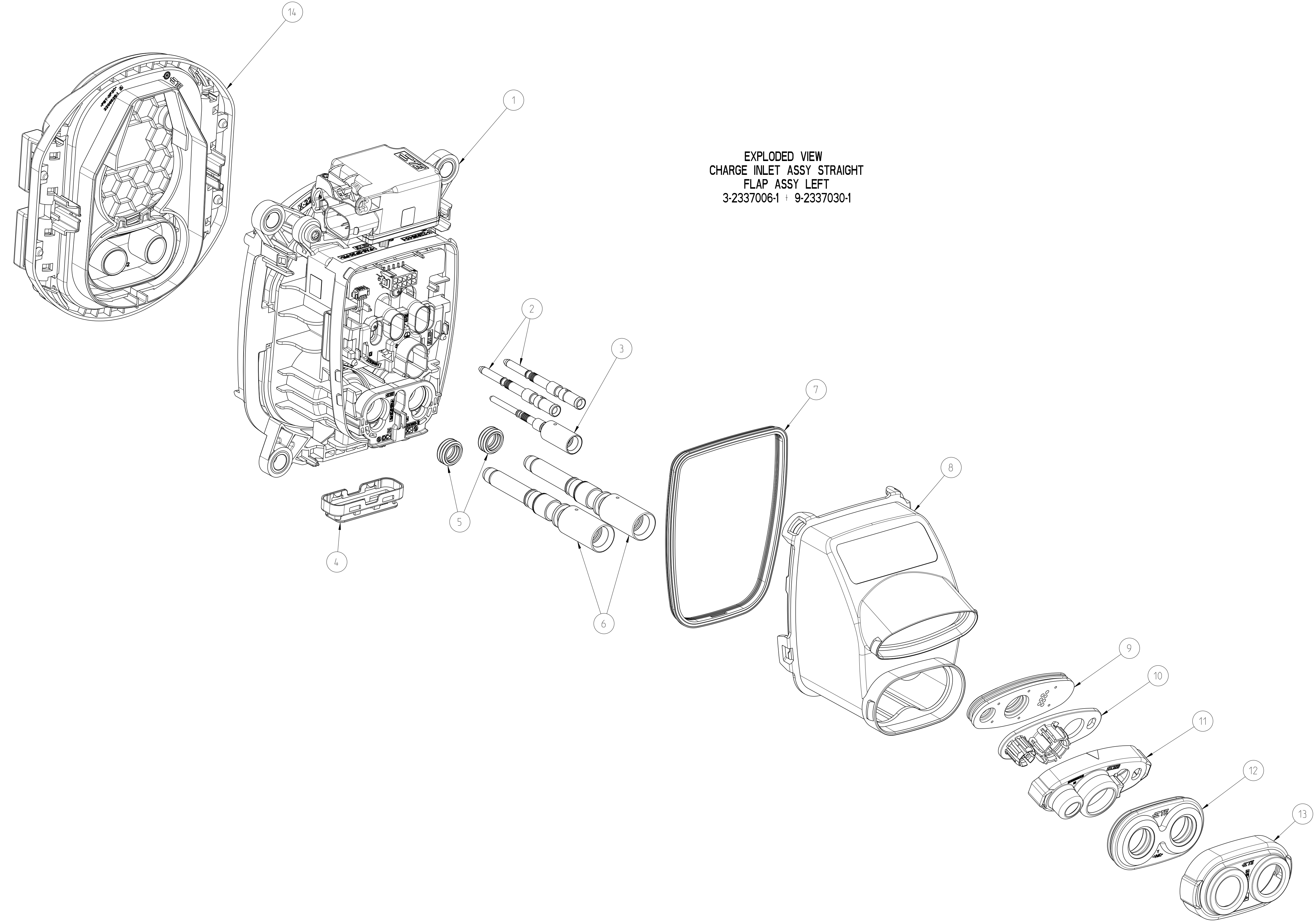
CHARGE INLET ASSY STRAIGHT  
FLAP ASSY RIGHT  
12



3-2337006-1 + 9-2337030-1 <sup>B1</sup>

REVISIONS			
REV	DATE	DESCRIPTION	APP'D
1	-	SEE SHEET 1	-

- NOTES
- NOT FOR SALE. DESCRIBES ONLY THE BOM AND THE ASSEMBLY OF THE COMPLETE PRODUCT
  - CHARGE INLET SIMILAR TO IEC62196-3.CCS 1. SHEET 3-111a
  - ADAPTIVE CABLES SEE APPLICATION SPECIFICATION 114-94762
  - COMPATIBLE PCB CONNECTOR: PN 1-794617-0 WITH TERMINAL PN 0-794606-1
  - FUNCTIONAL AND ELECTRICAL REQUIREMENTS OF ACTUATOR SEE SPECIFICATION 108-94519
  - COMPATIBLE CONNECTOR FOR ACTUATOR: 1-967640-1
  - APPLICABLE SCREWS FOR MOUNTING. HEAD DIAMETER MIN. 10.5mm. TORQUE 6Nm±0.9Nm FOR M6 SCREWS
  - <sup>B1</sup> MAX VOLTAGE AND CURRENT RATING FOR AC AND DC. SEE PRODUCT SPECIFICATION 108-94777



EXPLODED VIEW  
CHARGE INLET ASSY STRAIGHT  
FLAP ASSY LEFT  
3-2337006-1 + 9-2337030-1

ORDER PN	REV	ADDITIONAL COMPONENTS/ ACCESSORIES DESCRIPTION	MATERIAL	SURFACE/COLOR	ITEM NO
9-2337030-1	A	FLAP ASSY.INLET COMBO RIGHT	-	BLACK	14
8-2337030-1	A	FLAP ASSY.INLET COMBO LEFT	-	BLACK	14

ORDER PN	REV	PART DESCRIPTION	MATERIAL	SURFACE/COLOR	ITEM NO
5-2296059-4	A	COVER, CABLE SEAL, COMBO DC	PA6-(GF10+GB20)	BLACK	13
2296058-4	A	FAMILY SEAL, COMBO DC	VMQ	RED	12
5-2296057-3	B	COVER, CABLE SEAL, AC	PA6-(GF10+GB20)	BLACK	11
1-2344703-2	A	STRAIN RELIEF, AC	PA6-(GF+GB)30	BROWN	10
2350592-7	B	AC FAMILY SEAL	VMQ	LIGHT GREY	9
2307523-1	A	CABLE EXIT, RECT, COMBO	PA6-(GF+GB)30	ORANGE	8
0-2320511-1	B	RADIAL SEAL	VMQ	RUST RED	7
2292541-1	A	PIN, DIA8.0 CONTACT ASSY TYP1 50mm <sup>2</sup>	COPPER	SILVER/TIN	6
2120571-1	A	SEALING	VMQ	NATURAL	5
2292534-1	B	PROTECTION CAP.WATER DRAIN	PA6-(GF10+GB20)	BLACK	4
2293267-5	A	PIN CONTACT, DIA2.8, PE 25mm <sup>2</sup>	BRASS	SILVER	3
2293266-3	A	PIN CONTACT, DIA3.6, L/N, ASSY 6mm <sup>2</sup>	BRASS	SILVER	2
9-2337006-1	B	INLET HSG, COMBO1, ASSY	-	-	1

3-2337006-1  
CHARGE INLET  
ASSY STRAIGHT  
WIRE SIZE 6mm<sup>2</sup>/50mm<sup>2</sup>

THIS DRAWING IS A CONTROLLED DOCUMENT. DIMENSIONING AND TOLERANCING PER GPS ISO STANDARDS.

DATE: 11APR2018  
 DRAWN: S. Kumbur  
 CHECKED: W. Litlock  
 APPROVED: W. Litlock  
 PRODUCT SPEC: 114-94762

STE TE Connectivity

NAME: CHARGE INLET, COMBO 1 IEC62196-3

SCALE: 1:1 SHEET 5 OF 5