

THIS DRAWING IS UNPUBLISHED.
DIFFUSION RESTREINTE

RELEASED FOR PUBLICATION
LIBRE A LA DIFFUSION

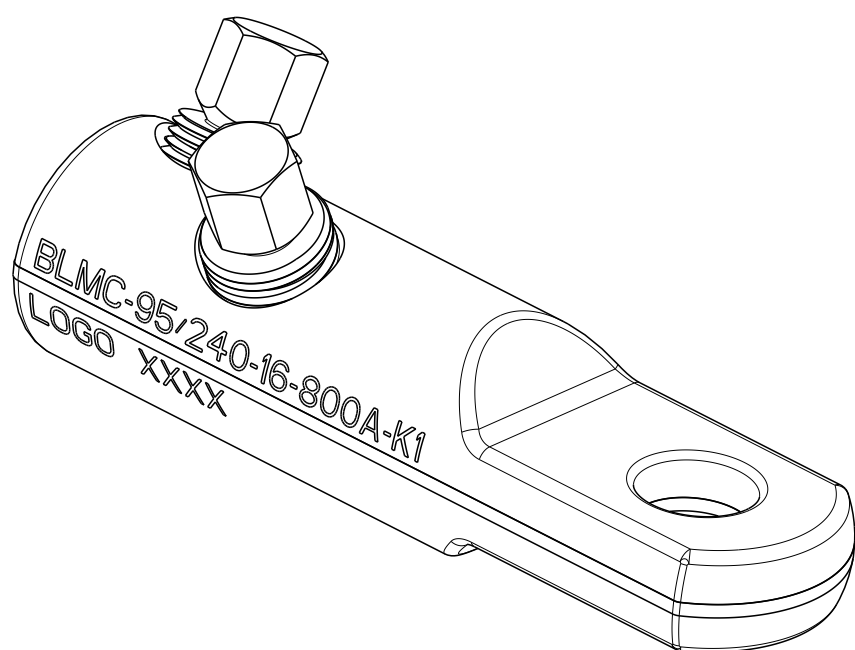
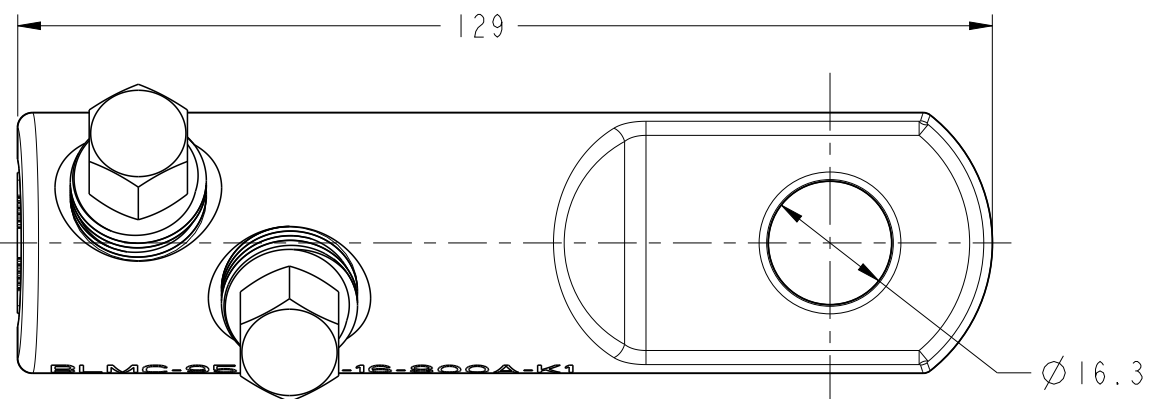
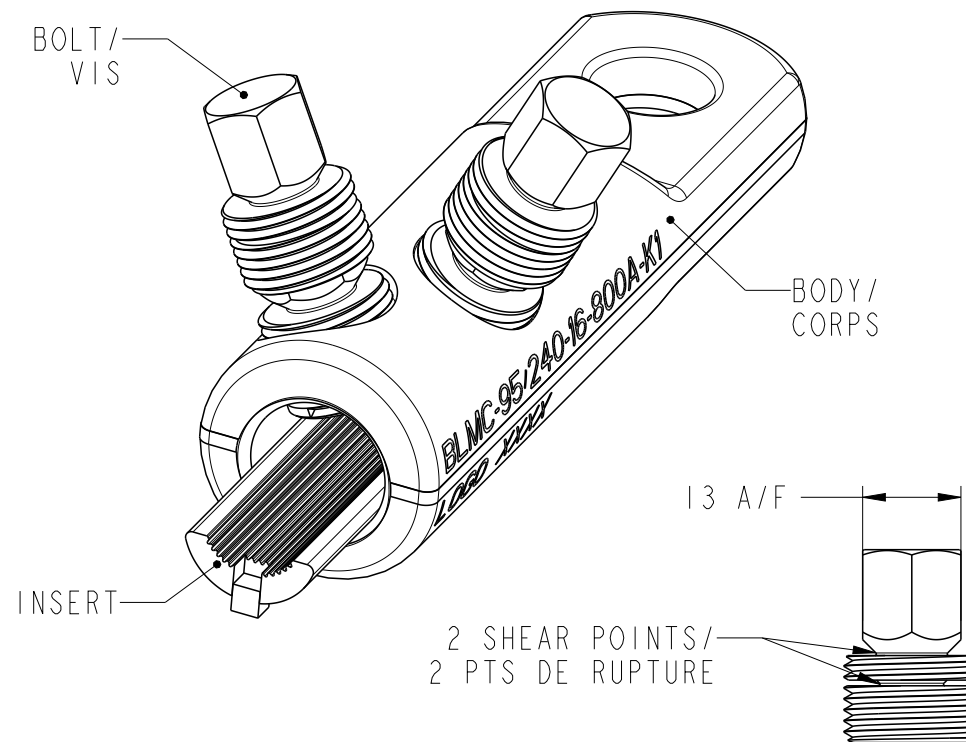
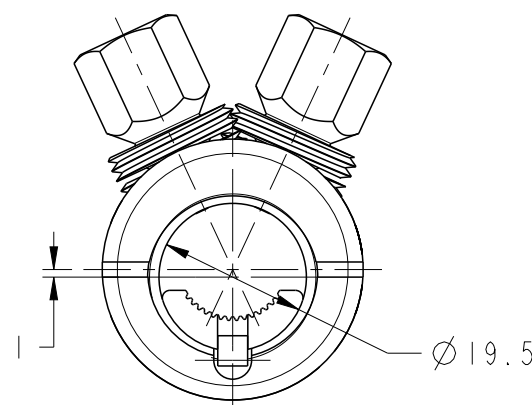
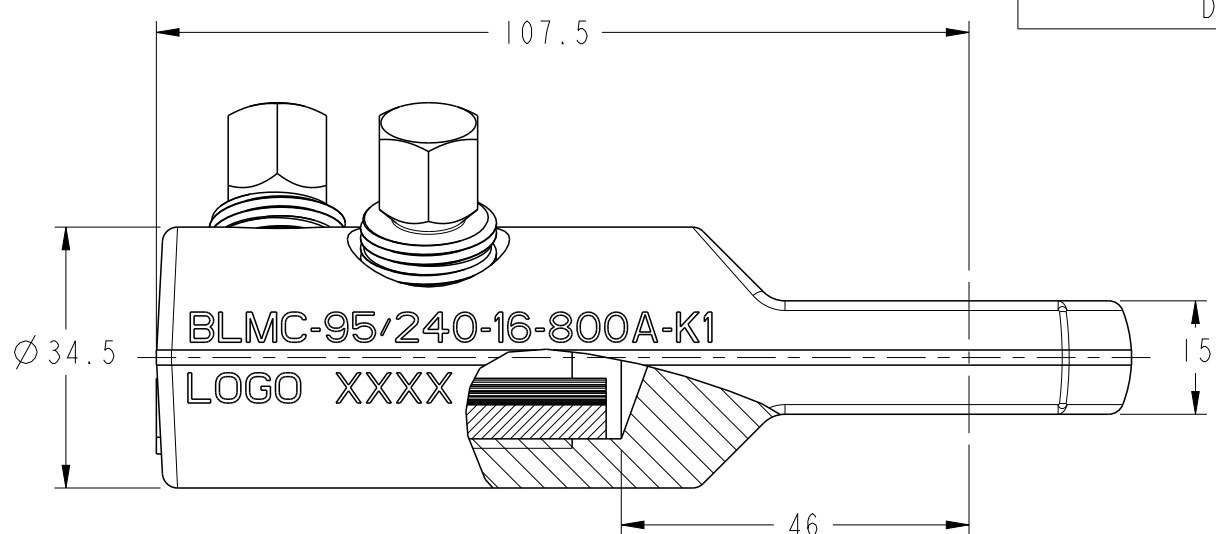
20

© COPYRIGHT 20 BY -

ALL RIGHTS RESERVED.
TOUS DROITS RESERVES


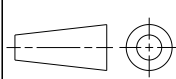
BLMC-95/240-16-800A-K1	2336435-1
DESCRIPTION	TCPN

REVISIONS					
P	LTR REV	DESCRIPTION MODIFICATIONS	DATE	DWN DESS.	APVD APP.
	A	CREATION	29JAN2021	BM	NA



	AL				CU	
	ROUND STRANDED /Rond câblé /RM	ROUND SOLID /Rond solide /RE	SECTOR STRANDED /Sectoral câblé /SM	SECTOR SOLID /Sectoral câblé /SE	ROUND STRANDED /Rond câblé /RM	SECTOR STRANDED /Sectoral câblé /SM
CONDUCTOR CROSS-SECTION /Section conducteur /Querschnittsbereich mm ²	95-240	95-240	95-150 (185 and 240 with rounding)	95-150 (185 with 90°)	95-240	95-150 (185 and 240 with rounding)
CONDUCTOR DIAMETER /Diamètre conducteur /Leiterdurchmesser mm	Ø11-Ø19.2	Ø10.5-Ø18	-	-	Ø11-Ø19.2	-

TOLERANCES UNLESS OTHERWISE SPECIFIED: -
TOLERANCES NON SPECIFIEES: -

THIS DRAWING IS A CONTROLLED DOCUMENT. CE PLAN EST UN DOCUMENT CONTROLE PAR TYCO ELECTRONICS CORPORATION. IL EST SUSCEPTIBLE D'ETRE REVISE. POUR OBTENIR LA DERNIERE REVISION, CONTACTER LE SERVICE TECHNIQUE DE TYCO ELECTRONICS SIMEL SAS, 21220 GEVREY-CHAMBERTIN, FRANCE		DWN/DESSINE B HARATH B M 29JAN2021	 TE Connectivity	
DIMENSIONS: mm		CHK/VERIFIE B MILLOT 29JAN2021		
		APVD/APPROUVE N ALMEIDA 29JAN2021	PRODUCT SPEC SPEC. PRODUIT -	
MATERIAL MATIERE AL ALLOY		FINISH FINITION TINNED	APPLICATION SPEC SPEC. APPLICATION -	RESTRICTED TO RESERVE A
		WEIGHT MASSE APPROX. 252 g	SIZE FORMAT A3	CAGE CODE -
		CUSTOMER DRAWING /PLAN CLIENT	DRAWING NO No PLAN C-2336435	SCALE ECHELLE 1:1
			UNIQUEMENT POUR REFERENCE	SHEET FEUILLE OF DE REV A