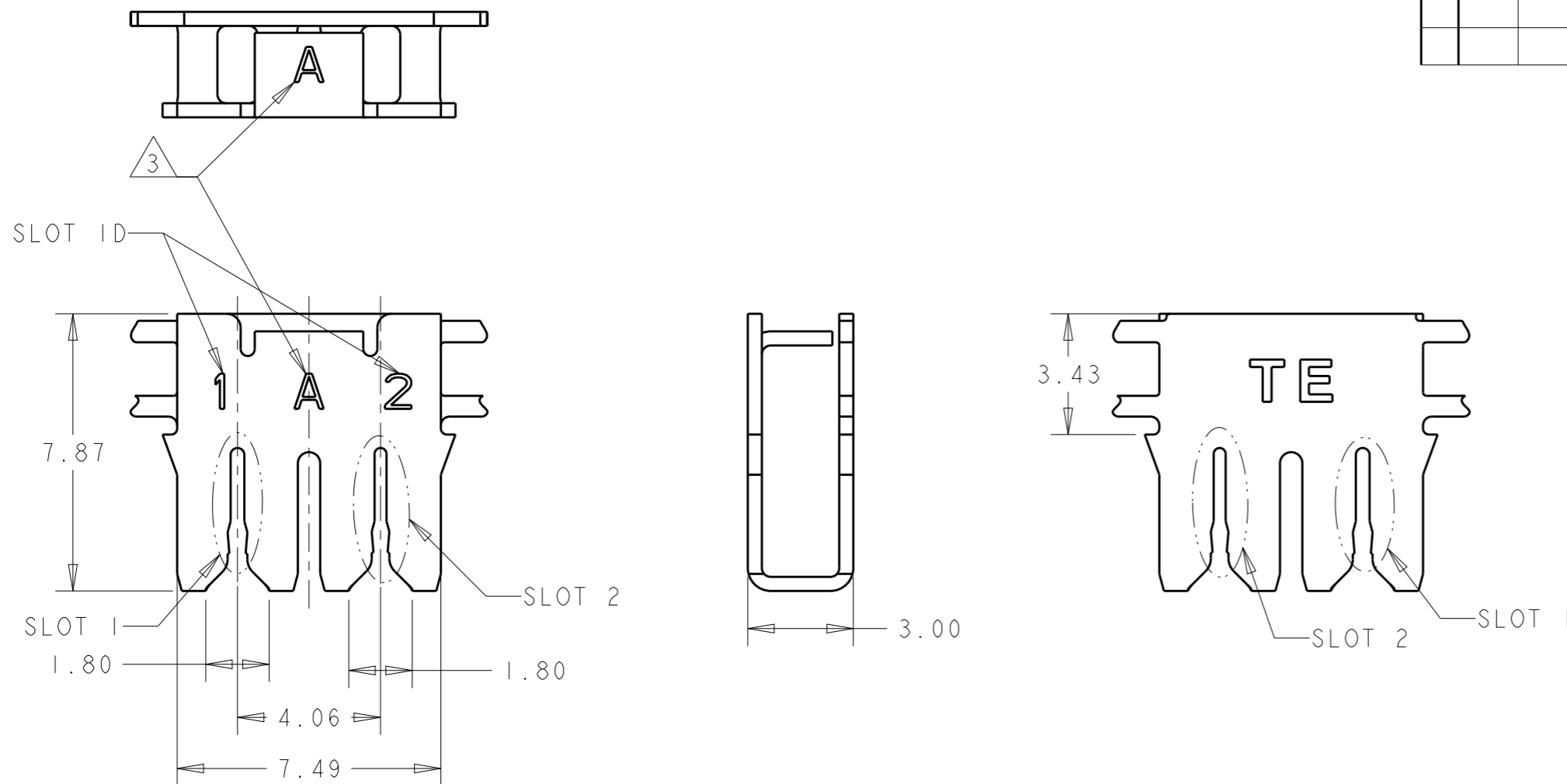


| P | LTR | DESCRIPTION | DATE | DWN | APVD |
|---|-----|-------------|-----------|-----|------|
| | A | RELEASED | 05MAR2019 | T.G | N.Y |
| | B | REVISED | 25JUL2019 | T.G | N.Y |
| | | | | | |



- 1. CONTINUOUS STRIP ON REELS WITH TERMINALS LOCATED ON 9.65 ± 0.05 mm CENTERS.
- 2. SLOT 1 AND 2 ACCEPT SINGLE COPPER MAGNET WIRE ONLY.
- 3. ID MARK OF SLOT SIZE: SEE TABLE 1.
- 4. RECOMMEND TO EVALUATE THE WIRE IN CASE OF USING NEW WIRE.
- 5. MATERIAL: PHOSPHOR BRONZE
FINISH: TIN PLATE

TABLE 1

| | | | |
|--------------|---------------------------|--|-------------|
| B | $\Phi 0.8 \sim \Phi 1.0$ | AWG20~22 ($\Phi 0.64 \sim \Phi 0.89$) | 1-2335803-2 |
| A | $\Phi 0.5 \sim \Phi 0.75$ | | 1-2335803-1 |
| ID MARK 3 | 4 SLOT 2 WIRE RANGE | 4 SLOT 1 WIRE RANGE | PART No. |

| | | | | | | | | | | | | | | | | |
|--|--------------|---------------------------------|--|-------------------------|-----------|-------|------------|-------|-------------|-------|--------------|--------|-------|----------------------------|------------|--|
| THIS DRAWING IS A CONTROLLED DOCUMENT. | | DWN T.GOTO 23APR2018 | | | | | | | | | | | | | | |
| DIMENSIONS: mm | | CHK N.YAMASAKI 23APR2018 | | | | | | | | | | | | | | |
| TOLERANCES UNLESS OTHERWISE SPECIFIED: ± 0.3 | | APVD N.YAMASAKI 23APR2018 | NAME TERMINAL, 2SLOT-TYPE 3SERIES, MAGTERM I | | | | | | | | | | | | | |
| <table border="0"> <tr> <td>0 PLC</td> <td>\pm</td> </tr> <tr> <td>1 PLC</td> <td>± 0.5</td> </tr> <tr> <td>2 PLC</td> <td>± 0.13</td> </tr> <tr> <td>3 PLC</td> <td>± 0.013</td> </tr> <tr> <td>4 PLC</td> <td>± 0.0001</td> </tr> <tr> <td>ANGLES</td> <td>\pm</td> </tr> </table> | | 0 PLC | \pm | 1 PLC | ± 0.5 | 2 PLC | ± 0.13 | 3 PLC | ± 0.013 | 4 PLC | ± 0.0001 | ANGLES | \pm | PRODUCT SPEC 108-140194 | SIZE A3 | |
| 0 PLC | \pm | | | | | | | | | | | | | | | |
| 1 PLC | ± 0.5 | | | | | | | | | | | | | | | |
| 2 PLC | ± 0.13 | | | | | | | | | | | | | | | |
| 3 PLC | ± 0.013 | | | | | | | | | | | | | | | |
| 4 PLC | ± 0.0001 | | | | | | | | | | | | | | | |
| ANGLES | \pm | | | | | | | | | | | | | | | |
| MATERIAL 5 | | APPLICATION SPEC 114-78034 | CAGE CODE 00779 | DRAWING NO C-2335803 | | | | | | | | | | | | |
| FINISH 5 | | WEIGHT 0.41g | RESTRICTED TO - | | | | | | | | | | | | | |
| RESTRICTED CUSTOMER | | | SCALE 6:1 | SHEET 1 OF 1 | | | | | | | | | | | | |
| | | | REV B | | | | | | | | | | | | | |