

4

3

2

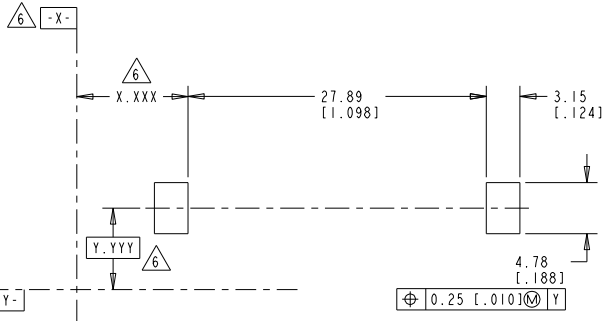
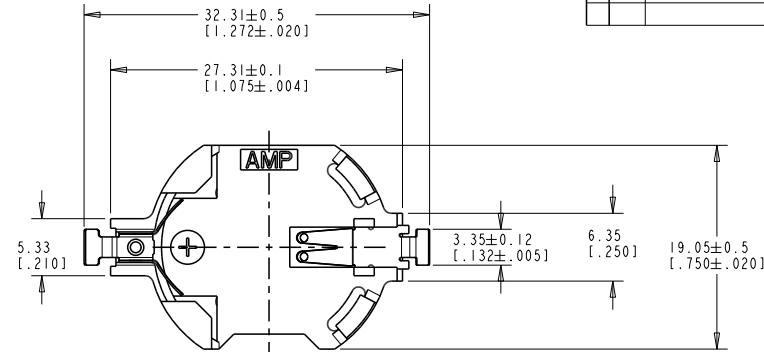
1

THIS DRAWING IS UNPUBLISHED. RELEASED FOR PUBLICATION. COPYRIGHT copyright.d8fe. ALL RIGHTS RESERVED.

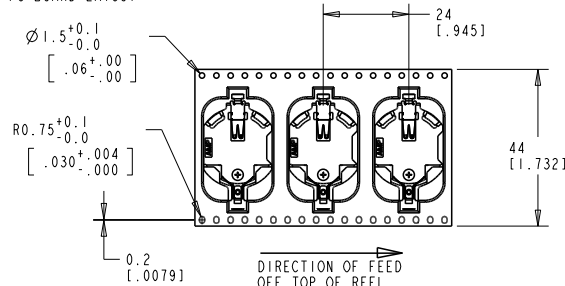
REVISIONS				
P	LTR	DESCRIPTION	DATE	APVD
A2		ADD NEW PART -3	07NOV2022	J. J. N. S.

- 1 HOUSING: HIGH TEMPERATURE 94V-0 RATED, LCP, COLOR NATURAL.
- CONTACTS: PHOSPHOR BRONZE.
- 2 CONTACTS: 0.0200-0.0004[.000080-.000157] TIN.
- 3. CONNECTOR ACCEPTS BATTERY CR2032.
- 4. PACKAGING: TAPE AND REEL.  
TAPE & SPROCKET HOLES DIMENSIONS PER EIA-481-3 WITH 330.0 [13.0] DIA. CARDBOARD SIDES
- 5 DATUM **-B-** IS ESTABLISHED BY ANY CONTACT OR HOUSING SURFACES CONTACTING A REFERENCE PLANE.
- 6 DATUMS AND DIMENSIONS ESTABLISHED BY CUSTOMER.
- 7 CONTACTS: Ni 0.00125[.000050] MIN OVER ALL. MATTE TIN 0.00254 [.000100] MIN OVER ALL.

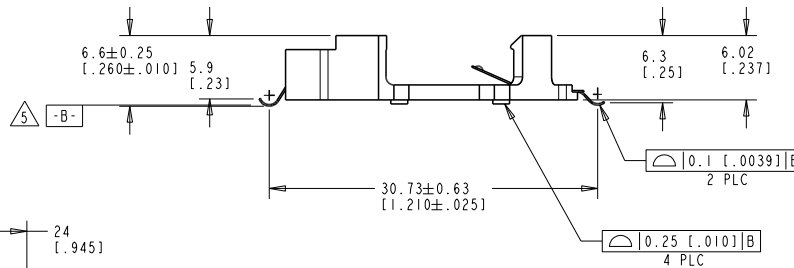
0.38±0.05  
[.015±.002]



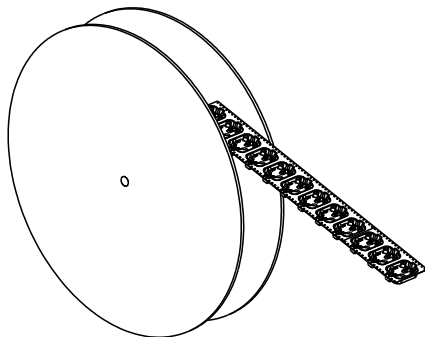
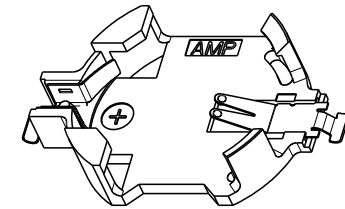
RECOMMENDED PC BOARD LAYOUT



DIRECTION OF FEED  
OFF TOP OF REEL



Ø22.66±0.07  
[.892±.003]



HEAT SEAL	2	2335232-3
SELF-ADHESIVE	1	2335232-2
SELF-ADHESIVE	2	2335232-1
COVER TAPE	PLATING	PART NUMBER

THIS DRAWING IS A CONTROLLED DOCUMENT.

DWN: Art.Lin 19NOV2017  
 CHR: WenKe.He 19NOV2017  
 APVD: WenKe.He 19NOV2017

DIMENSIONS: mm [INCHES]

TOLERANCES UNLESS OTHERWISE SPECIFIED:  
 0 PLC ±.051 [0.02]  
 1 PLC ±0.131 [0.05]  
 2 PLC ±0.0501 [0.020]  
 3 PLC ±.051 [0.020]  
 4 PLC ±.051 [0.020]  
 ANGLES ±#5  
 FINISH 2

MATERIAL 1

STE TE Connectivity

NAME: ASSEMBLY BATTERY CONNECTOR, SURFACE MOUNT, TOP LOAD

PRODUCT SPEC: 108-1691

APPLICATION SPEC: -

WEIGHT: -

SIZE: A2 00779

CAGE CODE: 2335232

DRAWING NO: 2335232

RESTRICTED TO: -

CUSTOMER DRAWING

SCALE: 3:1

SHEET: 1 OF 1

REV: A2