

THIS DRAWING IS UNPUBLISHED.

RELEASED FOR PUBLICATION

12JUN2012

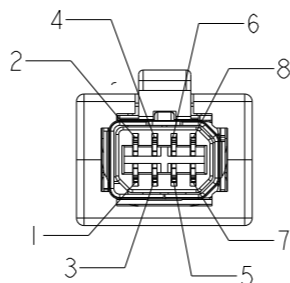
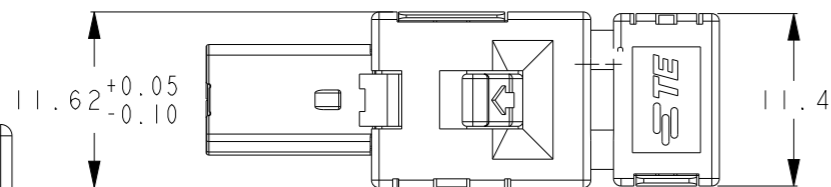
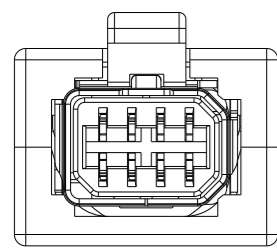
© COPYRIGHT 2012 BY Tyco Electronics Japan G.K. ALL RIGHTS RESERVED.

LOC J

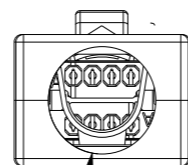
DIST -

REVISIONS

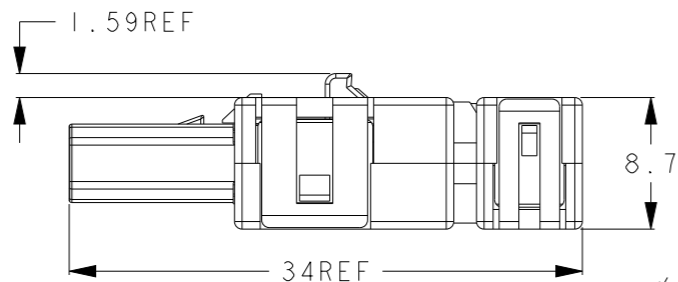
P	LTR	DESCRIPTION	DATE	DWN	APVD
A1		RELEASED	14JAN2019	PP	JB
A2		REVISED PER ECR-20-003019	21OCT2020	SS	JDB
A3		NOTE 2 UPDATED	09NOV2020	SS	JDB
A4		ECR-23-184393 ADD NEW PN	17AUG2023	BP	LET



CIRCUIT NO.



Ø7.1 MAX



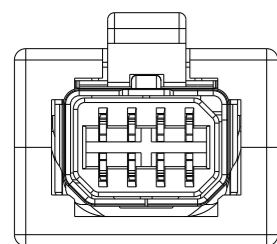
MATING SHAPE : TYPE I
2201855-1/-2/-3/-6
SCALE 3:1

NOTES:

- 1 : TYPE I , INSULATION DIAMETER 1.05-1.15mm (L)
 - 1 : TYPE II, INSULATION DIAMETER 1.05-1.15mm (L)
 - 2 : TYPE I , INSULATION DIAMETER 0.93-1.05mm (M)
 - 2 : TYPE II, INSULATION DIAMETER 0.93-1.05mm (M)
 - 3 : TYPE I , INSULATION DIAMETER 0.93-1.05mm IPC, 1.05-1.15mm IPC (M+L)
 - 6 : TYPE I , INSULATION DIAMETER 1.1-1.2mm (LL)
 - 6 : TYPE II , INSULATION DIAMETER 1.1-1.2mm (LL)

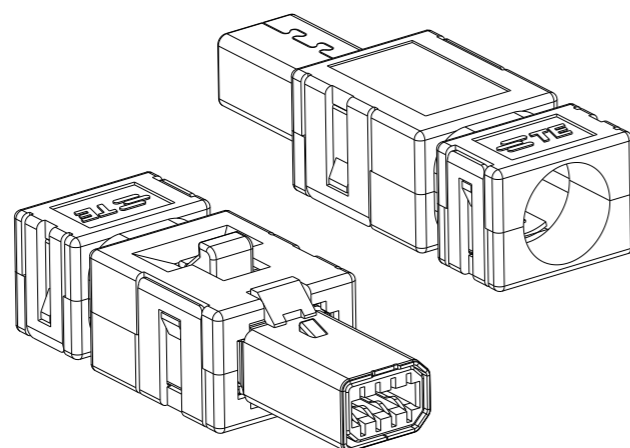
2. ALL ITEMS EXCEPT ITEM 4 ARE PACKED IN BAGS CONTAINING 100 PCS.
THOSE BAGS ARE PLACED INSIDE ONE BIG BAG. ITEM 4 IS PACKED IN TRAYS (4X25 PCS). THE BIG BAG IS PLACED ON TOP OF THE TRAYS IN ONE BOX.

3. FOR SINGLE PIECE BLISTER SEE DRAWING 2201855

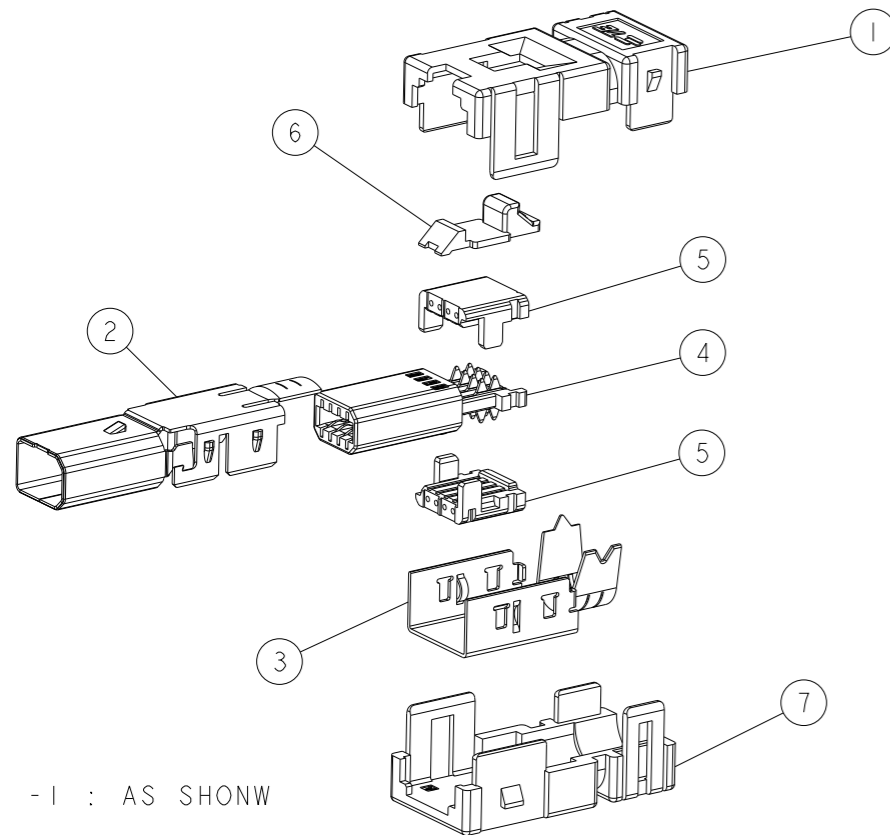


MATING SHAPE : TYPE II
1-2201855-1/-2
SCALE 3:1

-1 : AS SHOWN



	LL	LL	M+L	M	M	L	L			
BAG	100	100	100	100	100	100	100	THERMO PLASTIC	PLUG COVER HSG BOTTOM	8
BAG	100	100	-	-	-	-	-	THERMO PLASTIC	CABLE HSG Ø1.10-1.20 COLOR : GREEN	7
	-	-	-	100	100	-	-		CABLE HSG Ø0.93-1.05 COLOR : RED	
	-	-	-	-	-	100	100		CABLE HSG Ø1.05-1.15 COLOR : BLUE	
BAG	100	100	-	-	-	-	-	THERMO PLASTIC	CABLE HSG Ø1.10-1.20 COLOR : GREEN	6
	-	-	100	100	100	-	-		CABLE HSG Ø0.93-1.05 COLOR : RED	
	-	-	100	-	-	100	100		CABLE HSG Ø1.05-1.15 COLOR : BLUE	
BAG	100	100	100	100	100	100	100	THERMO PLASTIC	LOCK HSG	5
TRAY	100	100	100	100	100	100	100	HSG MATERIAL:THERMO PLASTIC CONTACT MATERIAL:COPPER ALLOY FINISH:NI PLATING ALL OVER CONTACT AREA Au PLATING TERMINATION AREA Au PLATING	PLUG SUB ASSY	4
BAG	100	100	100	100	100	100	100	MATERIAL:COPPER ALLOY FINISH:NICKEL PLATING	BOTTOM SHELL	3
BAG	100	-	-	100	-	100	-	MATERIAL:COPPER ALLOY FINISH:NICKEL PLATING	PLUG TOP SHELL TYPE II	2
BAG	100	100	100	100	100	100	100	THERMO PLASTIC	PLUG COVER HSG TOP	1
PACKED IN	1-	-6	-6	-3	1-	-2	-2	1-	-1	-1



-1 : AS SHOWN

SCALE 3:2

THIS DRAWING IS A CONTROLLED DOCUMENT.

DIMENSIONS: mm	TOLERANCES UNLESS OTHERWISE SPECIFIED: ±0.5
Ø PLC	±
1 PLC	±0.5
2 PLC	±0.13
3 PLC	±0.013
4 PLC	±0.0001
ANGLES	±
MATERIAL	FINISH

DWN	09JAN2019
P. POORTER	
CHK	09JAN2019
P. POORTER	
APVD	09JAN2019
J. DE BRUIJN	
PRODUCT SPEC	108-78955
APPLICATION SPEC	114-5506
WEIGHT	4.38 GR



INDUSTRIAL MINI I/O PIERCING
PLUG CONNECTOR KIT

NAME	INDUSTRIAL MINI I/O PIERCING PLUG CONNECTOR KIT		
SIZE	CAGE CODE	DRAWING NO	RESTRICTED TO
A3	00779	C-2335143	
CUSTOMER DRAWING	SCALE	SHEET	OF
	2:1	1	1
		REV	A4