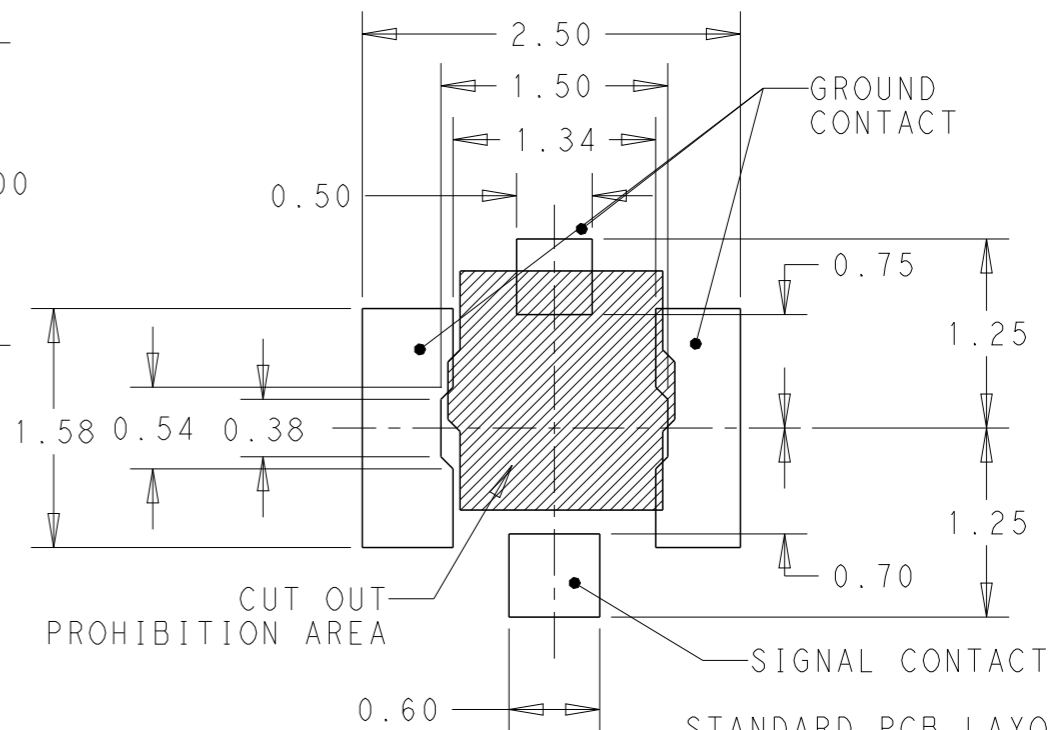
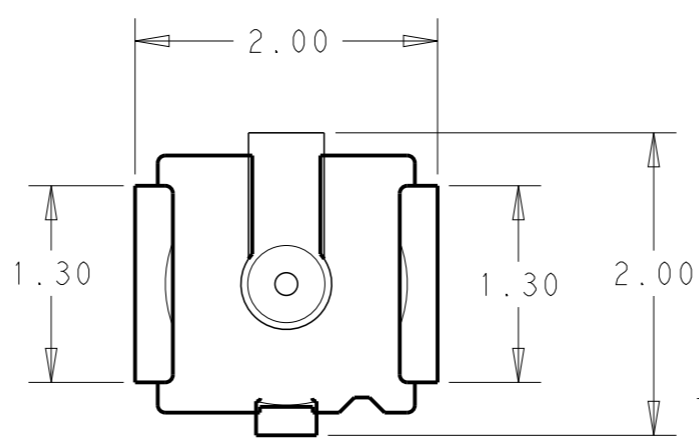
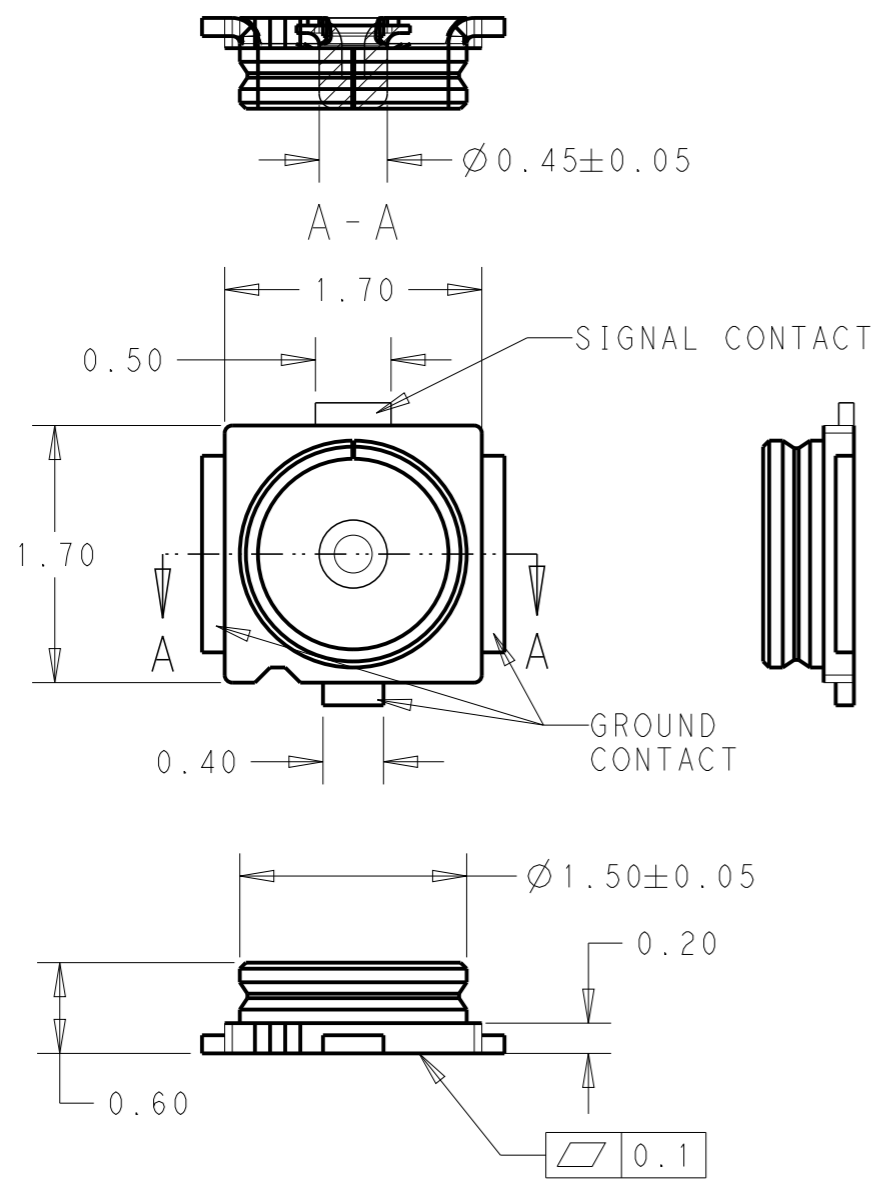


AS SHOWN : 2334884-1

REVISIONS

P	LTR	DESCRIPTION	DATE	DWN	APVD
	A4	MODIFY TITLE	28NOV2018	H.T	H.T
	A8	ECR-21-104161 FREQUENCY	28MAY2021	JZ	WKH
	A9	ECR-22-138775	11MAY2022	JZ	WKH
	A10	ECR-24-198976;UPDATED SPEC VSWR	23FEB2024	TP	WH

1. TECHNICAL PARAMETERS
 FREQUENCY RANGE : DC~12GHz.
 NOMINAL CHARACTERISTICS IMPEDANCE : 50Ω
 INSULATION RESISTANCE : 500MΩMIN
 INITIAL CONTACT RESISTANCE
 20mΩMAX(INNER CONTACT) / 20mΩMAX(OUT CONTACT)
 WITH STANDING VOLTAGE : 200V AC 1min
 OPERATING TEMPERATURE : -40°C ~ +85°C
 VSWR: 1.3MAX (RANGE:DC~3GHz)
 1.4MAX (RANGE:3GHz~6GHz)
 1.5MAX (RANGE:6GHz~9GHz)
 1.6MAX (RANGE:9GHz~12GHz)



STANDARD PCB LAYOUT SCALE : 20:1

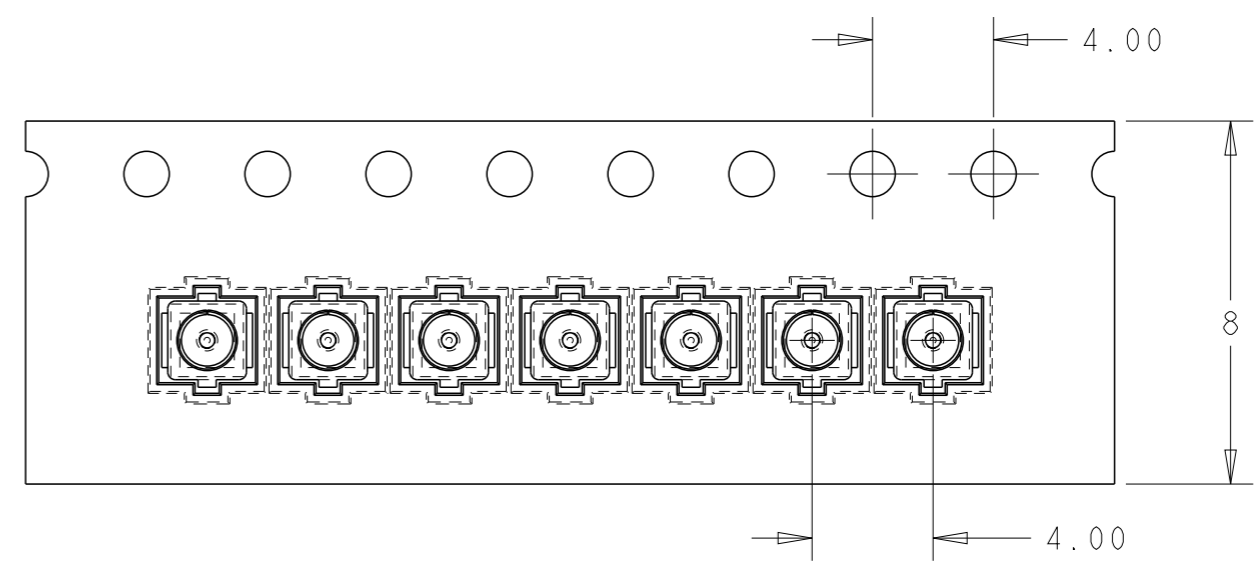
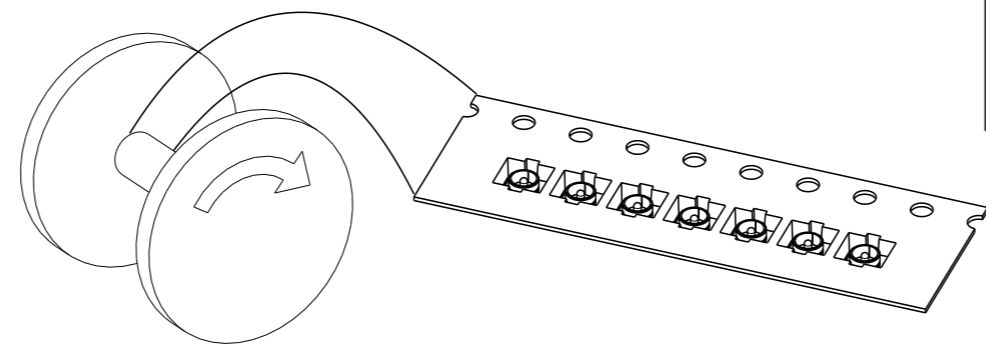
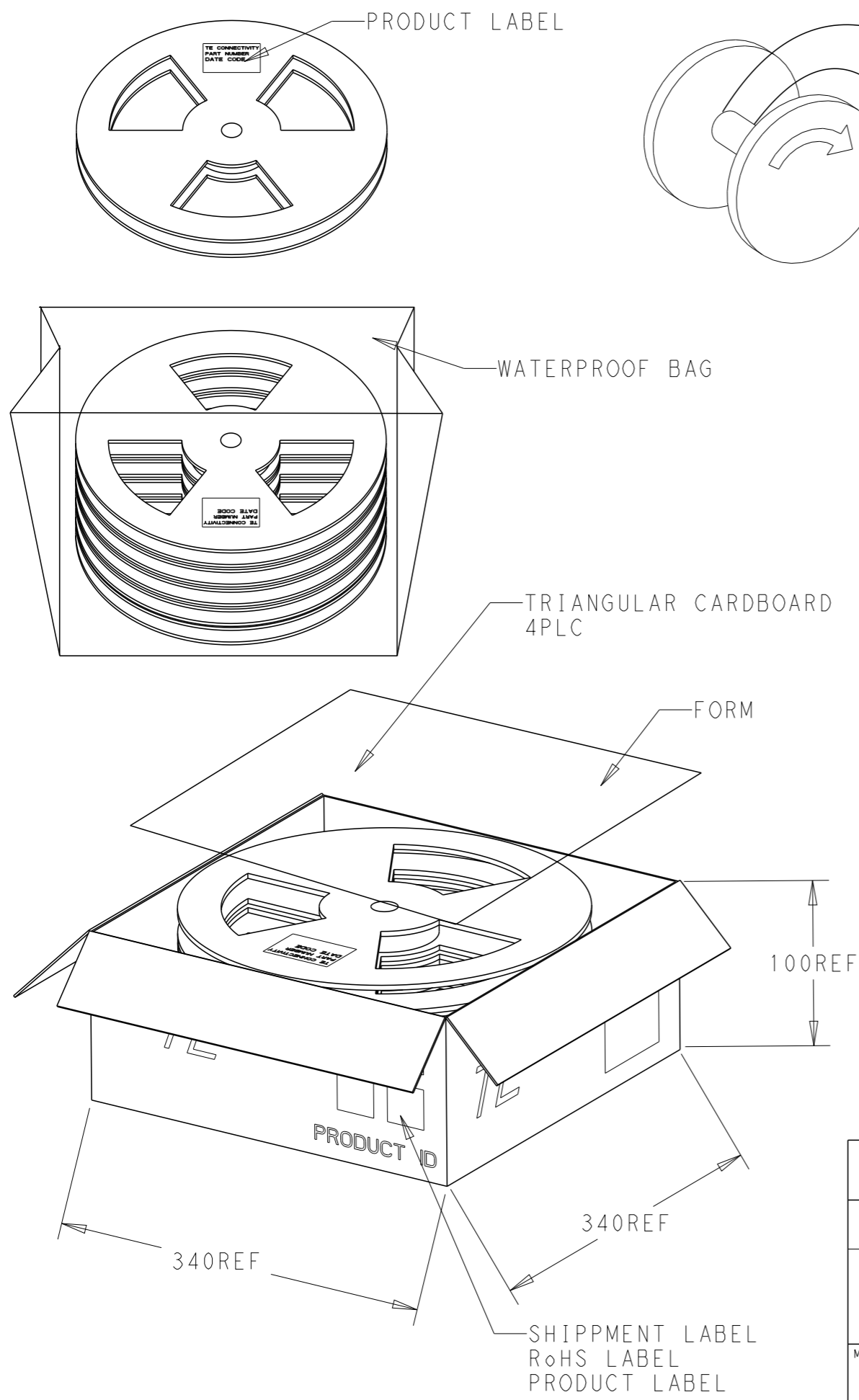
1	CENTER CONTACT	3
1	DIELECTRIC	2
1	SHELL	1
QTY	DESCRIPTION	ITEM

THIS DRAWING IS A CONTROLLED DOCUMENT.		DWN H. TAMURA	17MAY2018	TE TE Connectivity	
DIMENSIONS: mm		CHK -	APVD -		
TOLERANCES UNLESS OTHERWISE SPECIFIED: ±0.15		PRODUCT SPEC -		NAME UMCC MICRO-COAX RECEPTACLE GEN 4 COMPATIBLE WITH MHF4	
0 PLC ± 1 PLC ± 2 PLC ± 3 PLC ± 4 PLC ± ANGLES ±3°		APPLICATION SPEC -		SIZE A3	CAGE CODE 00779
MATERIAL TBD		WEIGHT -		DRAWING NO C-2334884	RESTRICTED TO -
CUSTOMER DRAWING				SCALE 20:1	SHEET 1 OF 2
				REV A10	

REVISIONS

P	LTR	DESCRIPTION	DATE	DWN	APVD
-	-	SEE SHEET 1	-	-	-

NOTE
 10000 PCS / REEL
 6 REEL / BOX
 60000 PCS / BOX
 REEL DIM : 330mm
 MATERIAL : PS 0.3mm



➔ USER DIRECTION OF UNREELING

THIS DRAWING IS A CONTROLLED DOCUMENT.		DWN H. TAMURA	17MAY2018		
DIMENSIONS: mm		CHK -	APVD -		
		TOLERANCES UNLESS OTHERWISE SPECIFIED: 0 PLC ± 1 PLC ± 2 PLC ± 3 PLC ± 4 PLC ± ANGLES ±3°		NAME UMCC MICRO-COAX RECEPTACLE GEN 4 COMPATIBLE WITH MHF4	
MATERIAL TBD		FINISH -		PRODUCT SPEC - APPLICATION SPEC - WEIGHT -	SIZE A3
		CUSTOMER DRAWING		CAGE CODE 00779	DRAWING NO C-2334884
				RESTRICTED TO -	SCALE NTS
				SHEET 2	OF 2 REV A10