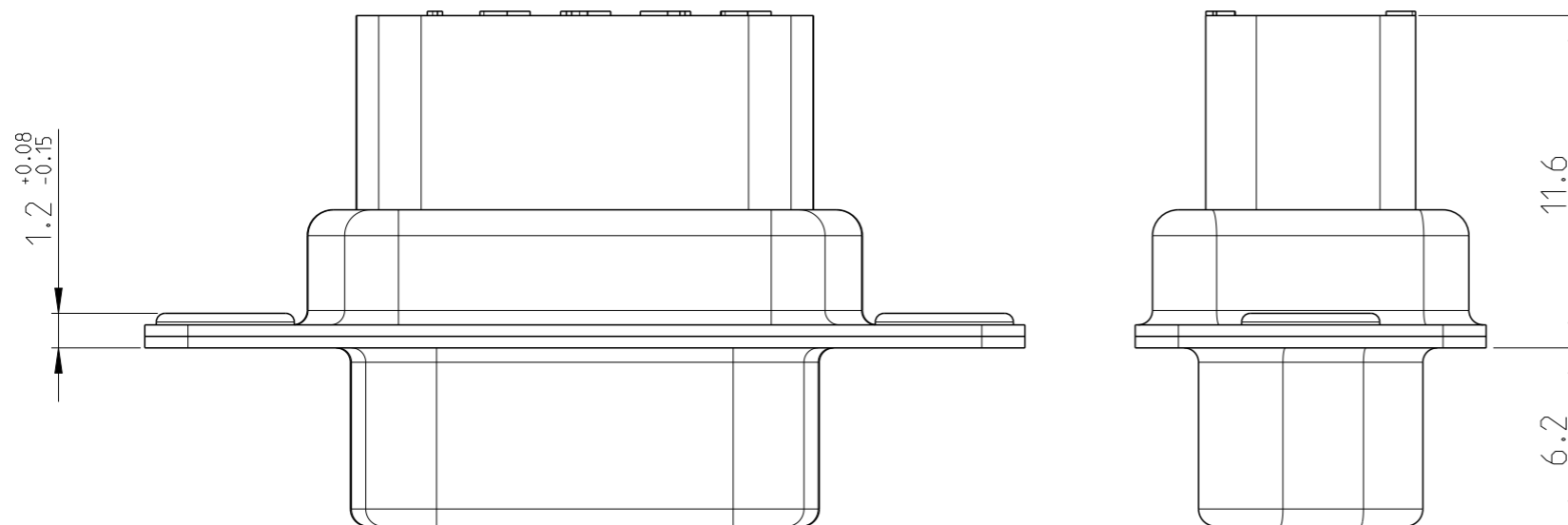
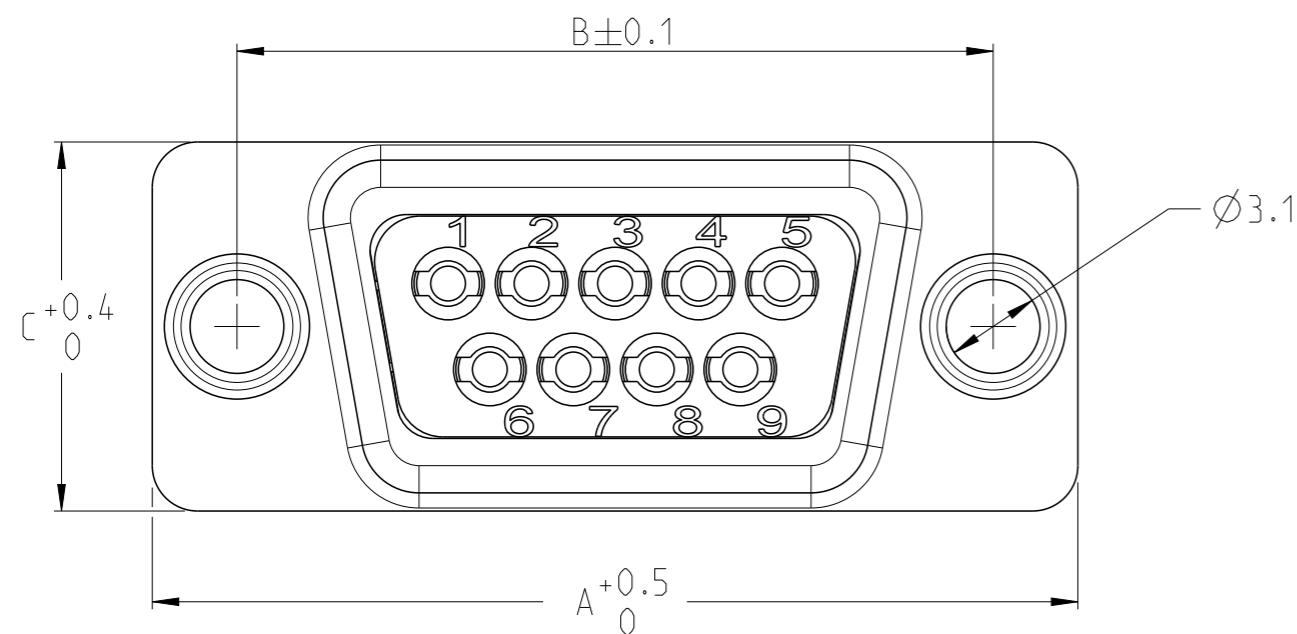


P	LTR	DESCRIPTION	DATE	DWN	APVD
	A	INITIAL RELEASE	12APR2018	GK	ES
	A1	EN45545 COMPLIANT VERSIONS ADDED	29SEP2020	GK	SE

REFER PAGE 2 FOR CRIMP CONTACT DETAILS

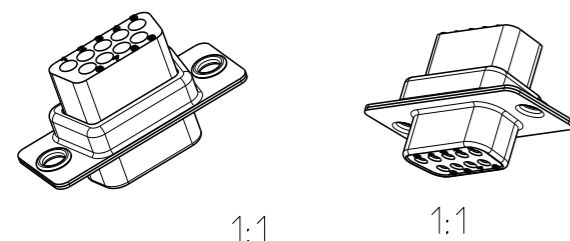


- 1 MATERIAL
MOLDED PARTS:
THERMOPLASTIC (PA66 GF-15), 94V-0 RATED,
FLAME RETARDANT, BLACK.
SHELL: STEEL
CONTACTS: COPPER ALLOY.
- 2 SHELL: TIN PLATED.
CONTACTS: GOLD PLATED OVER NICKEL.



EN45545 COMPLIANT VERSIONS	14.0	15.2	61.1	66.6	50	1-2334099-5
	12.5	12.2	63.5	69.2	37	1-2334099-4
	9.2	12.2	47.0	52.8	25	1-2334099-3
	6.4	12.2	33.3	39.0	15	1-2334099-2
	4.8	12.2	25.0	30.6	9	1-2334099-1
-	14.0	15.2	61.1	66.6	50	2334099-5
-	12.5	12.2	63.5	69.2	37	2334099-4
-	9.2	12.2	47.0	52.8	25	2334099-3
-	6.4	12.2	33.3	39.0	15	2334099-2
-	4.8	12.2	25.0	30.6	9	2334099-1
NOTES	WEIGHT (g)	C	B	A	NO OF POS	PART NO

SHOWN 2334099-1



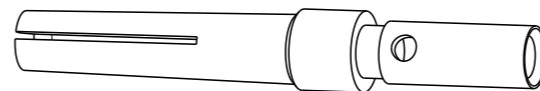
THIS DRAWING IS A CONTROLLED DOCUMENT.

DIMENSIONS: mm	TOLERANCES UNLESS OTHERWISE SPECIFIED: 0 PLC ± 1 PLC ± 2 PLC ± 3 PLC ± 4 PLC ± ANGLES ± FINISH	DWN 09APR2018 GOPALAKRISHNA HV CHK 09APR2018 E STELLINGA APVD 09APR2018 E STELLINGA PRODUCT SPEC - APPLICATION SPEC - WEIGHT SEE TABLE	NAME D-SUB CRIMP FEMALE 9-50 POS - SIZE A3 CAGE CODE 00779 DRAWING NO C-2334099 RESTRICTED TO
MATERIAL	1	2	SCALE 4:1 SHEET 1 OF 2 REV A1

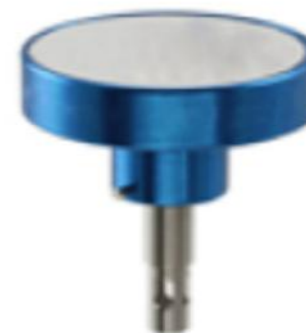
CUSTOMER DRAWING


REVISIONS

P	LTR	DESCRIPTION	DATE	DWN	APVD
	-	SEE SHEET 1	-	-	-

CRIMP CONTACT DETAILS		
WIRE SIZE	SOCKET(FEMALE)	PICTORIAL VIEW
AWG 20	2334108-2	
AWG 22	2334108-3	
AWG 24-28	2334108-4	

CONTACT CRIMP TOOL	PICTORIAL VIEW
601966-1 (COMPACT) 601967-1 (STANDARD)	

CONTACT POSITIONER DETAILS (CONTACT TYPE:PIN)		
CRIMP TOOL	PART NUMBER	PICTORIAL VIEW
COMPACT	601966-2	
STANDARD	1-2823582-4	

THIS DRAWING IS A CONTROLLED DOCUMENT.		DWN GOPALAKRISHNA HV 09APR2018		
DIMENSIONS: mm		CHK E STELLINGA 09APR2018		
TOLERANCES UNLESS OTHERWISE SPECIFIED:		APVD E STELLINGA 09APR2018	NAME D-SUB CRIMP FEMALE 9-50 POS	
0 PLC ± 1 PLC ± 2 PLC ± 3 PLC ± 4 PLC ± ANGLES ±		PRODUCT SPEC -	RESTRICTED TO	
MATERIAL		APPLICATION SPEC -	SIZE A3	CAGE CODE 00779
FINISH		WEIGHT SEE TABLE	DRAWING NO C-2334099	
CUSTOMER DRAWING			SCALE 4:1	SHEET 2 OF 2
			REV A1	