

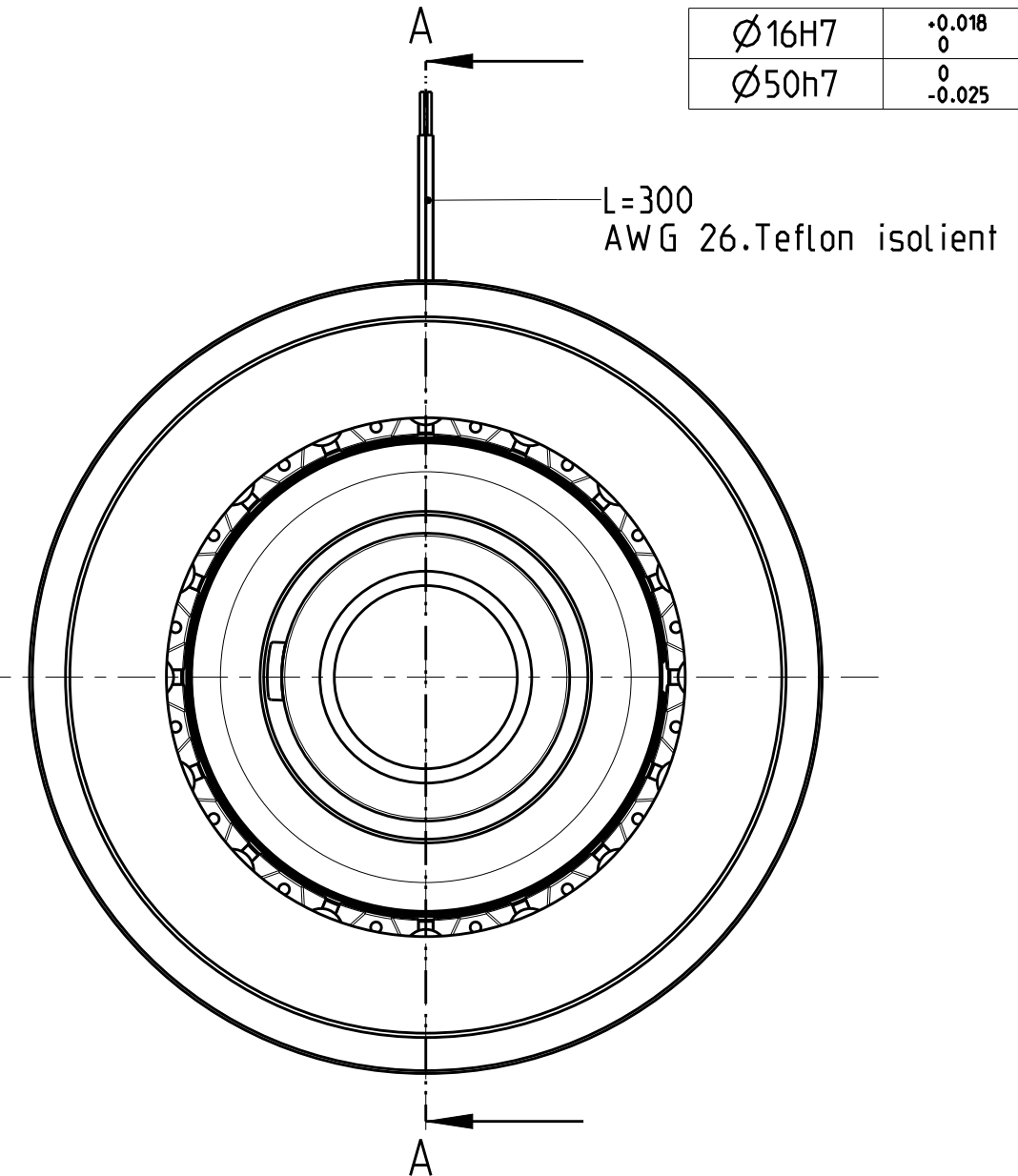
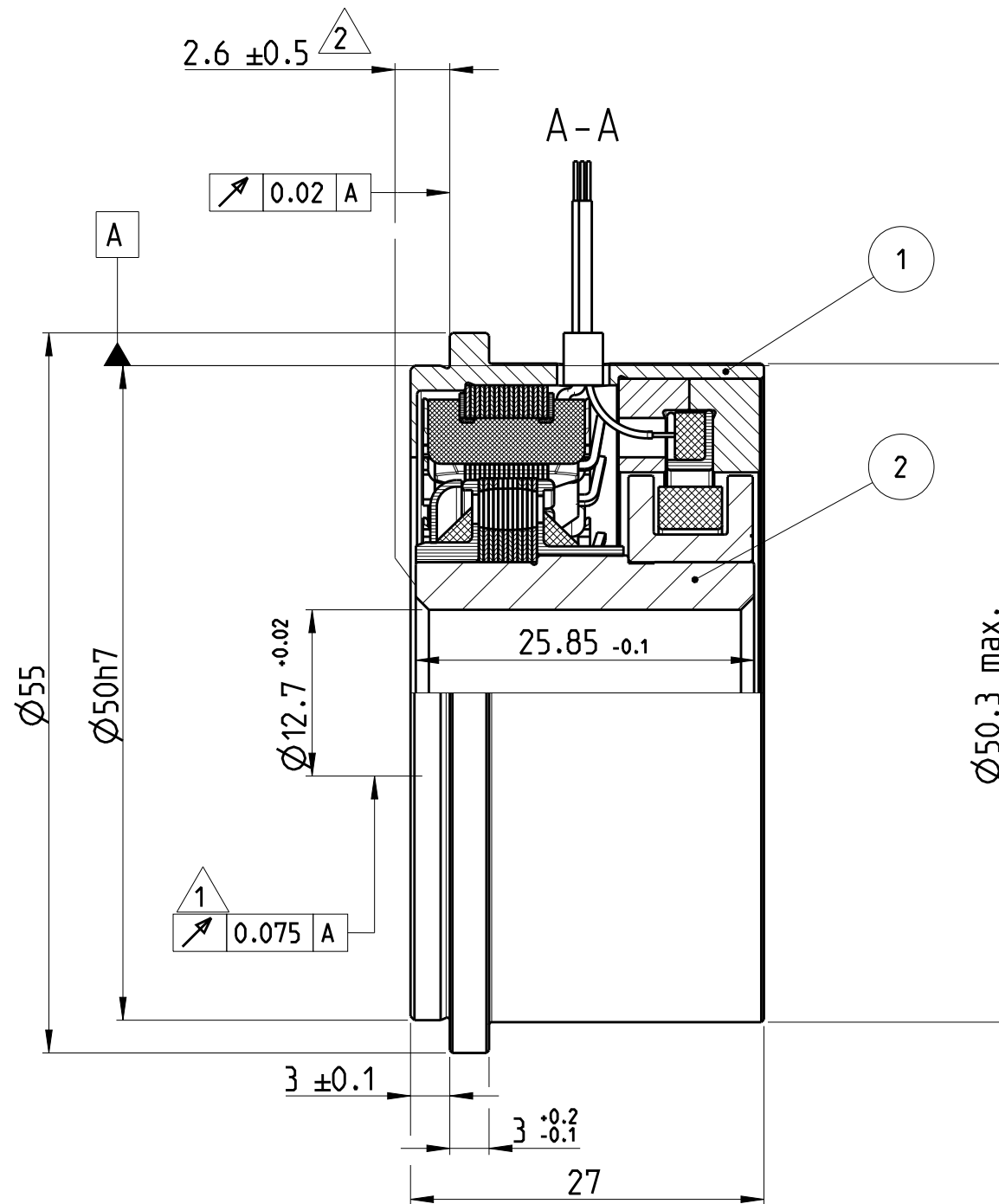
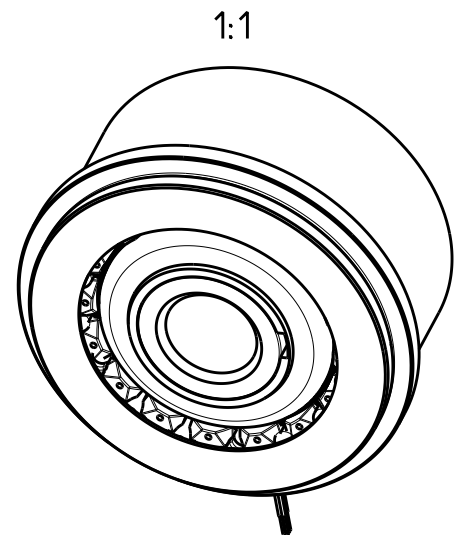
THIS DRAWING IS UNPUBLISHED. RELEASED FOR PUBLICATION 2018  
 © COPYRIGHT 2018 BY - TE CONNECTIVITY ALL RIGHTS RESERVED.

REVISIONS

P	LTR	DESCRIPTION	DATE	DWN	APVD
A1	ECR-19-000965		22 JAN 2019	GK	OD
A2	ECR-19-010937		12 JUL 2019	GK	OD
B	ECR-19-016683		25 OCT 2019	GK	OD
C	ECR-19-018517		14 JAN 2020	GK	OD

Signal	Aderfarbe
S1	rot
S2	gelb
S3	Schwarz
S4	blau
R1	rot-weiss
R2	gelb-weiss

Ø16H7	+0.018 0
Ø50h7	0 -0.025



- 1 Gesamtschlag im eingebauten Zustand
- 2 Axialversatz

Ersetzt / replace V23401-T2061-B101

ITEM NO	PARTNUMBER	DESCRIPTION	ITEM NO
1	1-1824370-0	Roto kpl./ Bauform U1 (12N)	2
1	2345885-1	Gehäuse kpl. / Bauform T2	1
2333949-1	PARTNUMBER	DESCRIPTION	ITEM NO
REVISION OF EACH ASSY NO. (WHEN BLANK, USE DWG. REVISION)			
PARTS LIST			

THIS DRAWING IS A CONTROLLED DOCUMENT.

DWN	27 APR 2018		MASSBILD HOHLWELLENDREHMELDER DIMENSIONAL DRAWING RESOLVER V23401-T2061-B101
CHK	27 APR 2018		
APVD	27 APR 2018		
PRODUCT SPEC			
APPLICATION SPEC		SIZE	A3
WEIGHT	-	CAGE CODE	00779
CUSTOMER DRAWING		DRAWING NO	C-2333949-1
		RESTRICTED TO	-
		SCALE	2:1
		SHEET	1 OF 1
		REV	C