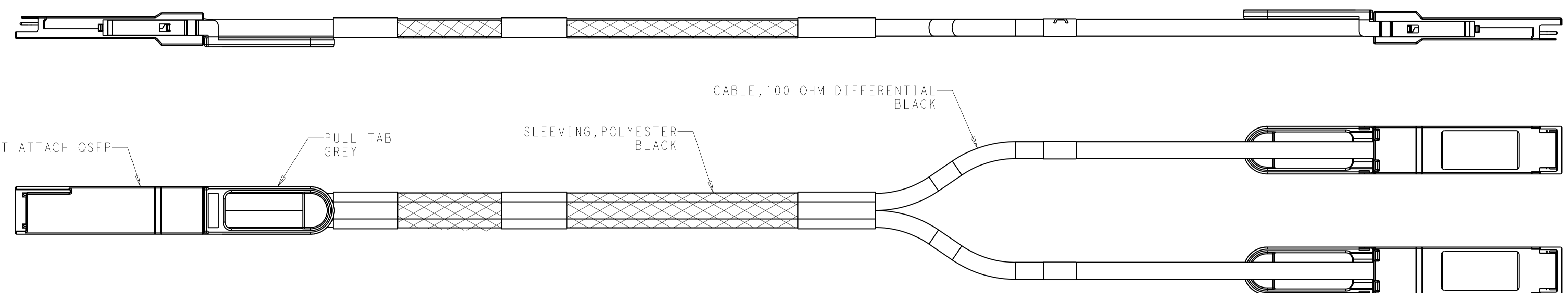
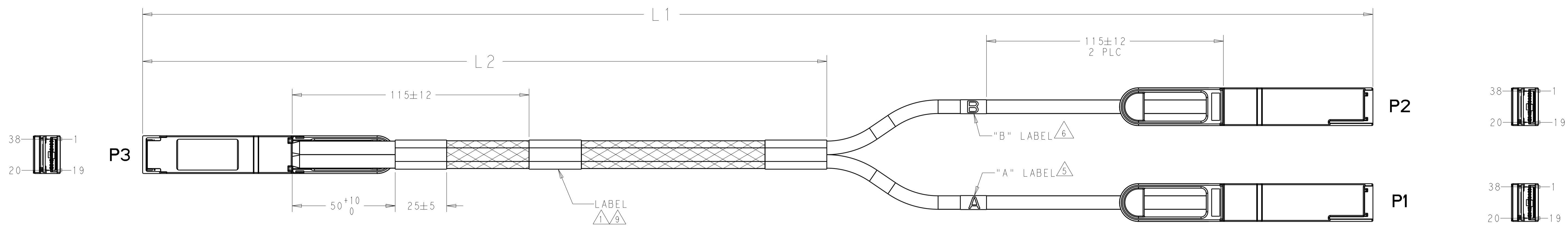
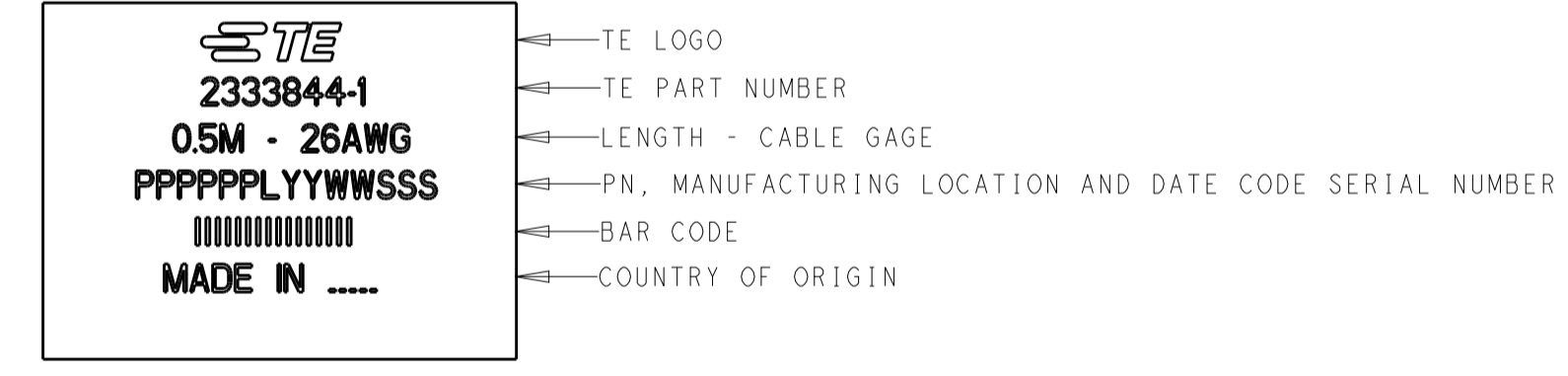


REVISIONS				
P	LTN	DESCRIPTION	DATE	OWN APVD
A		PER ECO-18-020143	31DEC2018	MY GF
B		REVISED PER ECO-19-013192	27AUG2019	AP GF
-	-	-	-	-
-	-	-	-	-



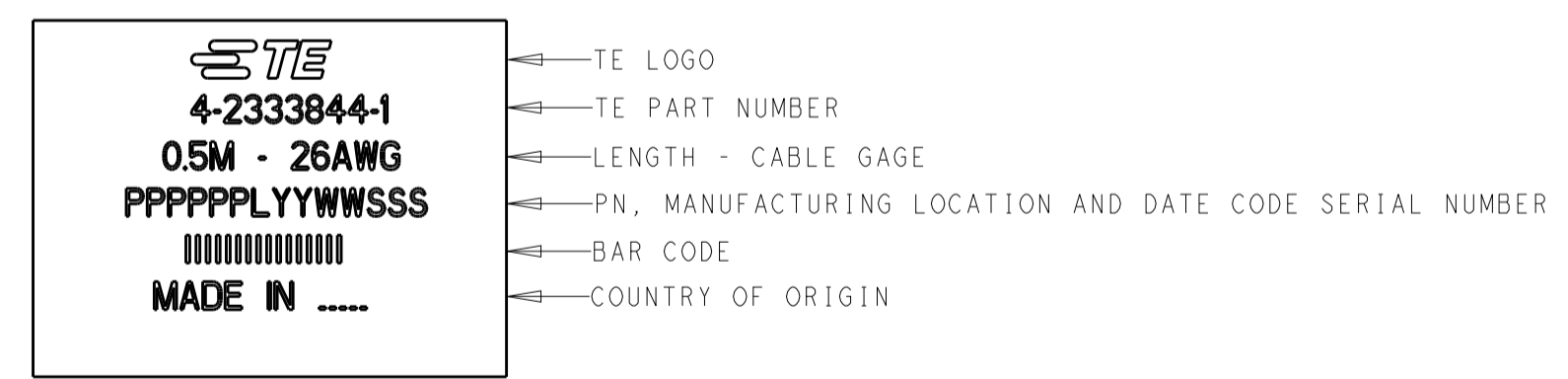
△ LABEL INFORMATION FOR 25 GIG PNS (-1 THRU -10): -1 SHOWN.



△ TEST IN ACCORDANCE WITH IEEE802.3bj.

△ DASH NUMBER 41 THRU 46 CONFORM TO 56G, PAM-4 IEEE802.3CD PERFORMANCE REQUIREMENTS.

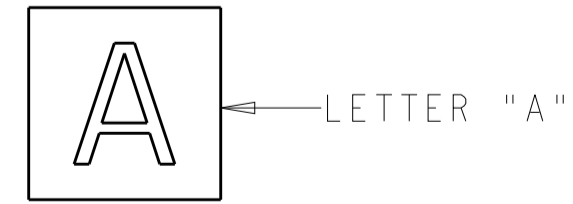
△ LABEL INFORMATION FOR 56 GIG PNS (-41 THRU -46): -41 SHOWN.



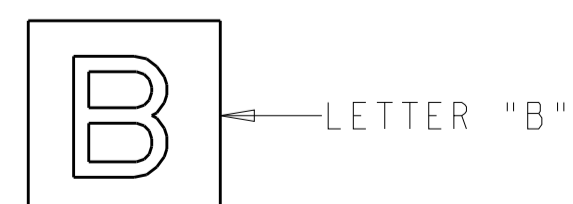
- SEE SHEET 2 FOR WIRING SCHEMATIC.
- PRODUCT AND PROCESSING MUST MEET THE REQUIREMENTS OF TE SPECIFICATION TEC-138-702.
- CABLE ASSEMBLY TO BE TESTED FOR OPENS, SHORTS AND PROPER EEPROM PROGRAMMING.

△ NO SLEEVING REQUIRED FOR 0.5M LENGTH(2333844-1 AND 4-2333844-1).

△ LABEL INFORMATION:



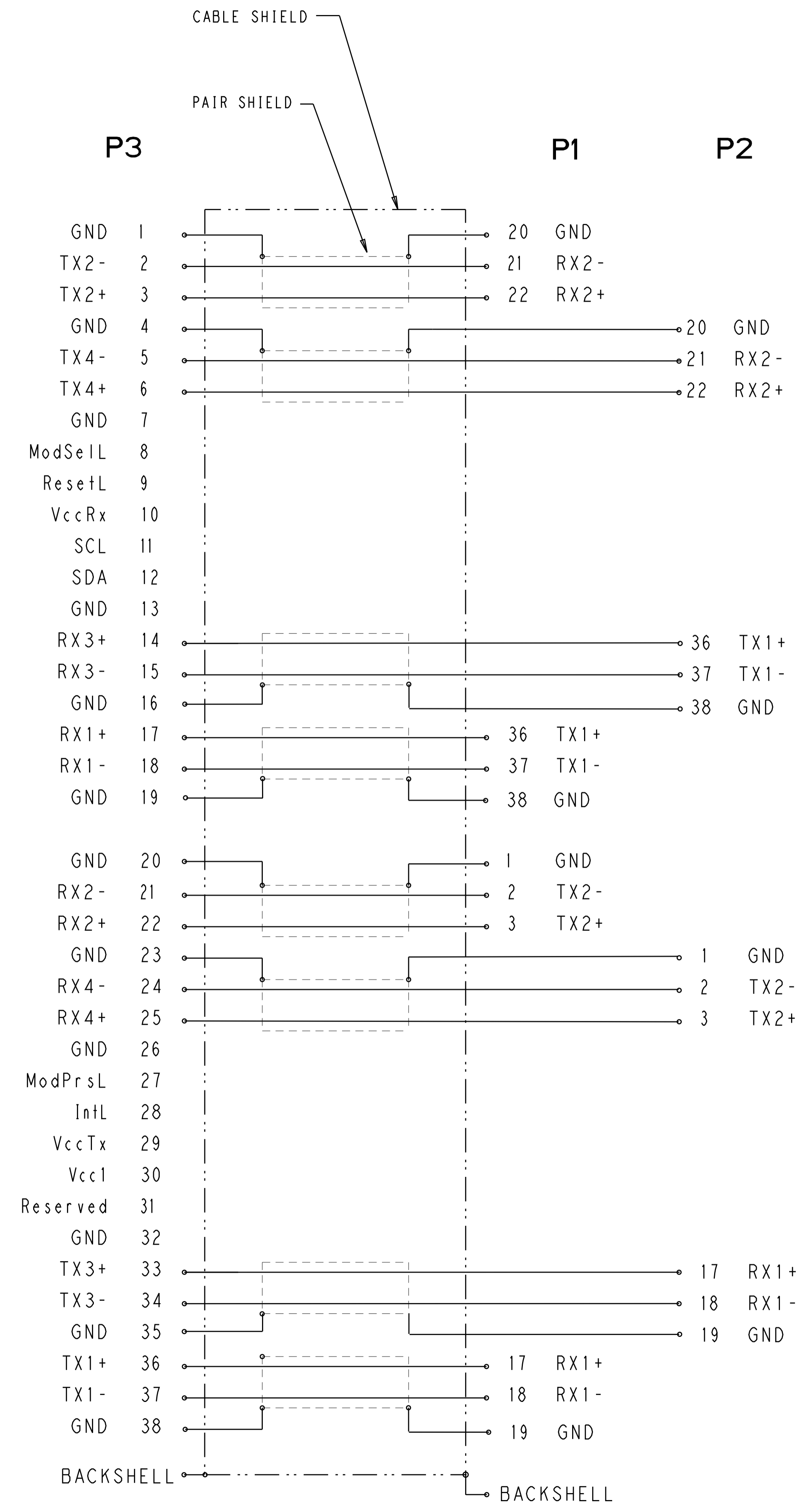
△ LABEL INFORMATION:



STANDAARD	GAGE	"L2" mm	"L1" mm	PART NO
△ 8	26	1000±25	3000 +80/-0	4-2333844-6
	26	1000±25	2500 +80/-0	4-2333844-5
	26	700±25	2000 +80/-0	4-2333844-4
	26	500±25	1500 +50/-0	4-2333844-3
	26	330±25	1000 +50/-0	4-2333844-2
	26	250±25	500 +50/-0	4-2333844-1
△ 7	26	2000±25	5000 +80/-0	1-2333844-0
	26	2000±25	4500 +80/-0	2333844-9
	26	1500±25	4000 +80/-0	2333844-8
	26	1500±25	3500 +80/-0	2333844-7
	26	1000±25	3000 +80/-0	2333844-6
	26	1000±25	2500 +80/-0	2333844-5
	26	1000±25	2000 +80/-0	2333844-4
	26	500±25	1500 +50/-0	2333844-3
	26	500±25	1000 +50/-0	2333844-2
	26	250±25	500 +50/-0	2333844-1

THIS DRAWING IS A CONTROLLED DOCUMENT. DIMENSIONS: mm. TOLERANCES UNLESS OTHERWISE SPECIFIED: 0 PLC ±, 1 PLC ±, 2 PLC ±, 3 PLC ±, 4 PLC ±, ANGLES ±, FINISH finish_spec_2. MATERIAL: -. WEIGHT: -. RESTRICTED TO RESTRICTED CUSTOMER. DATE: 05MAY2018. CHK: G. FRANKLIN. APVD: G. FRANKLIN. NAME: CABLE ASSEMBLY, QSFP TO (2) QSFP 25GIG, 26AWG. SIZE: A1. CAGE CODE: 100779. DRAWING NO: 2333844. SCALE: 5:1. SHEET 1 OF 2. REV B.

REVISIONS				
P.	LTN	DESCRIPTION	DATE	APVD
-	-	SEE SHEET 1	-	-



WIRING PATTERN

THIS DRAWING IS A CONTROLLED DOCUMENT.		OWN: Y1 05MAY2018	STE TE Connectivity
DIMENSIONS: mm		CHK: G. FRANKLIN 05MAY2018	
TOLERANCES UNLESS OTHERWISE SPECIFIED:		APVD: G. FRANKLIN 05MAY2018	NAME: CABLE ASSEMBLY, QSFP TO (2) QSFP 25GIG, 26AWG
0 PLC ±		PRODUCT SPEC: -	
1 PLC ±		APPLICATION SPEC: -	SIZE: A1 CAGE CODE: 2333844 DRAWING NO: 2333844
2 PLC ±		RESTRICTED TO: -	
3 PLC ±		WEIGHT: -	SCALE: 5:1 SHEET 2 OF 2 REV B
4 PLC ±		RESTRICTED CUSTOMER	
ANGLES: -		FINISH: finish_spec_2	