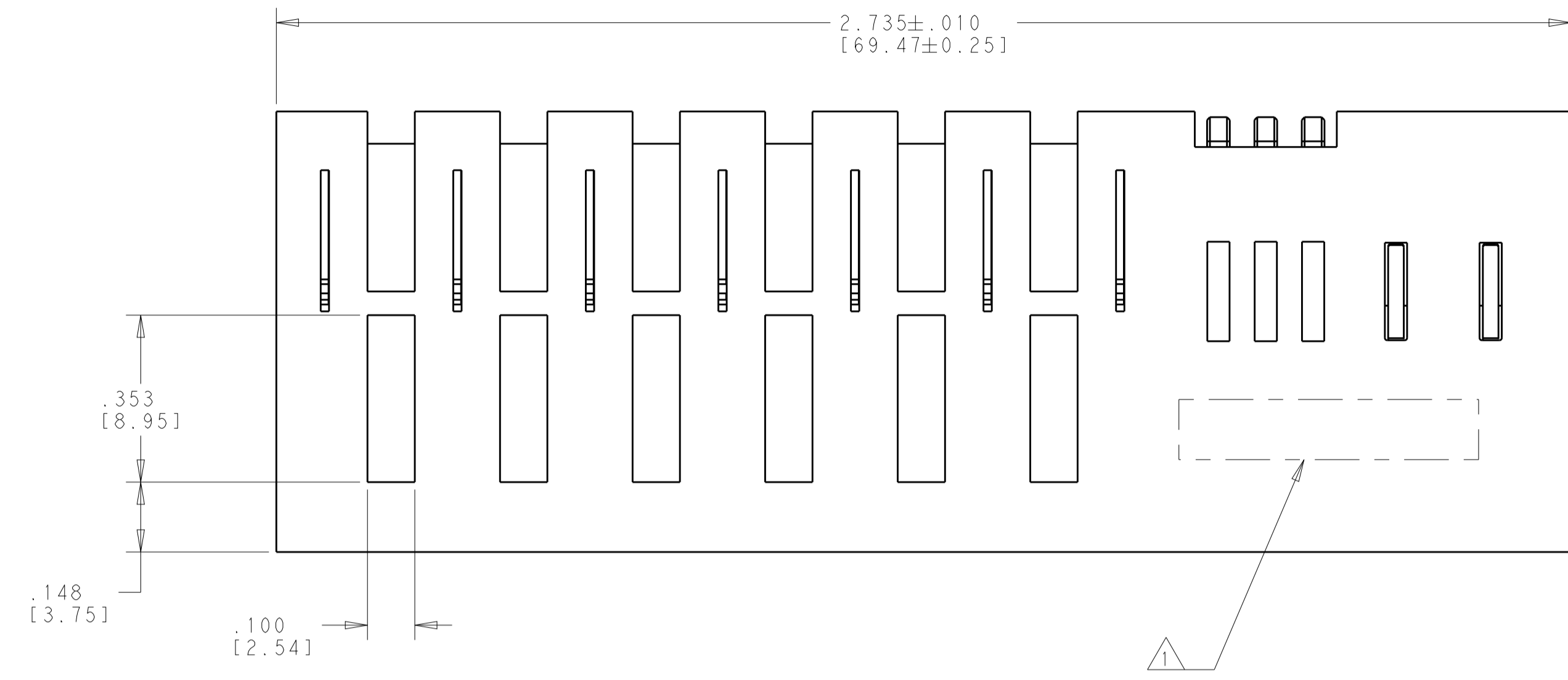
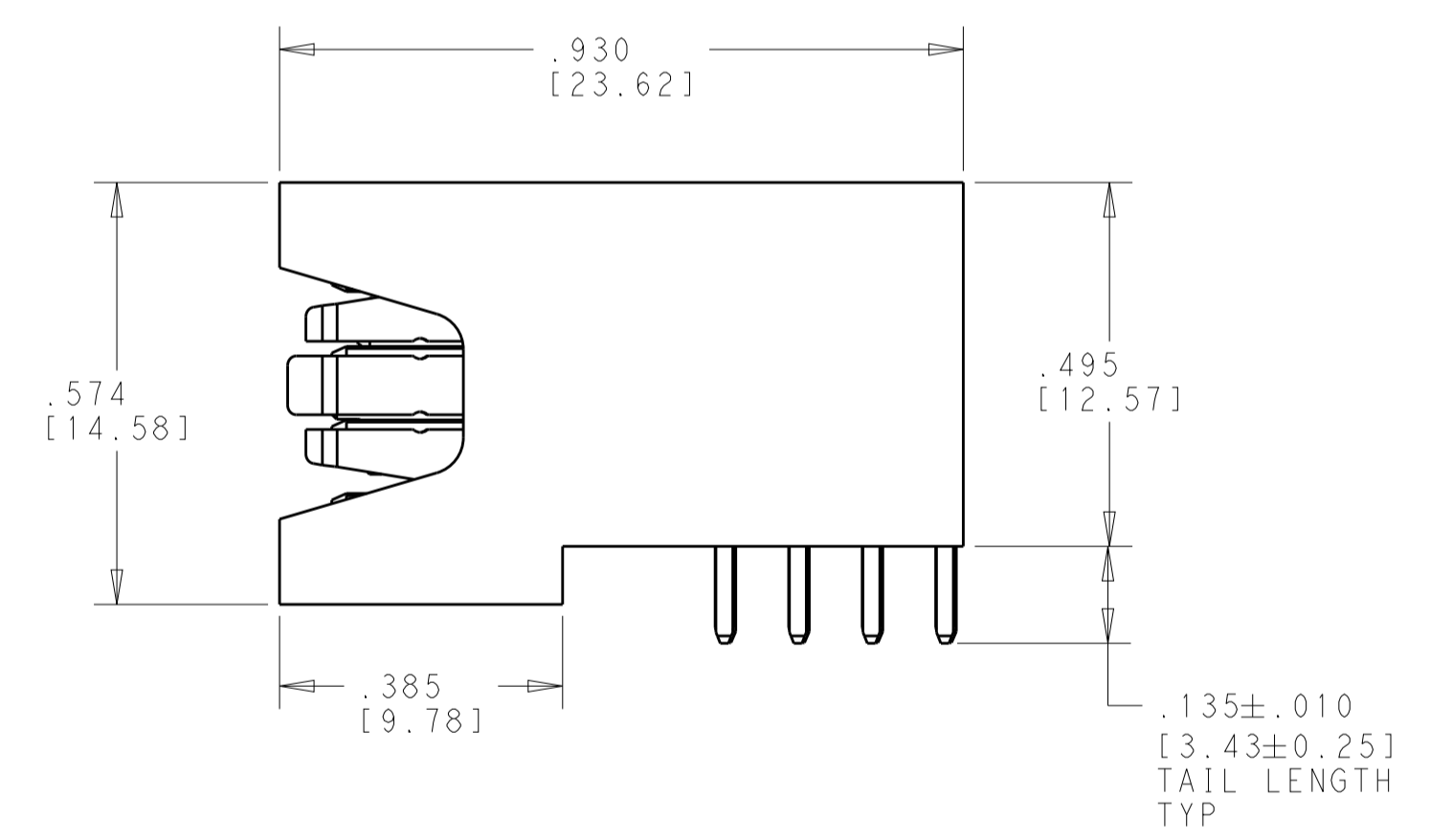
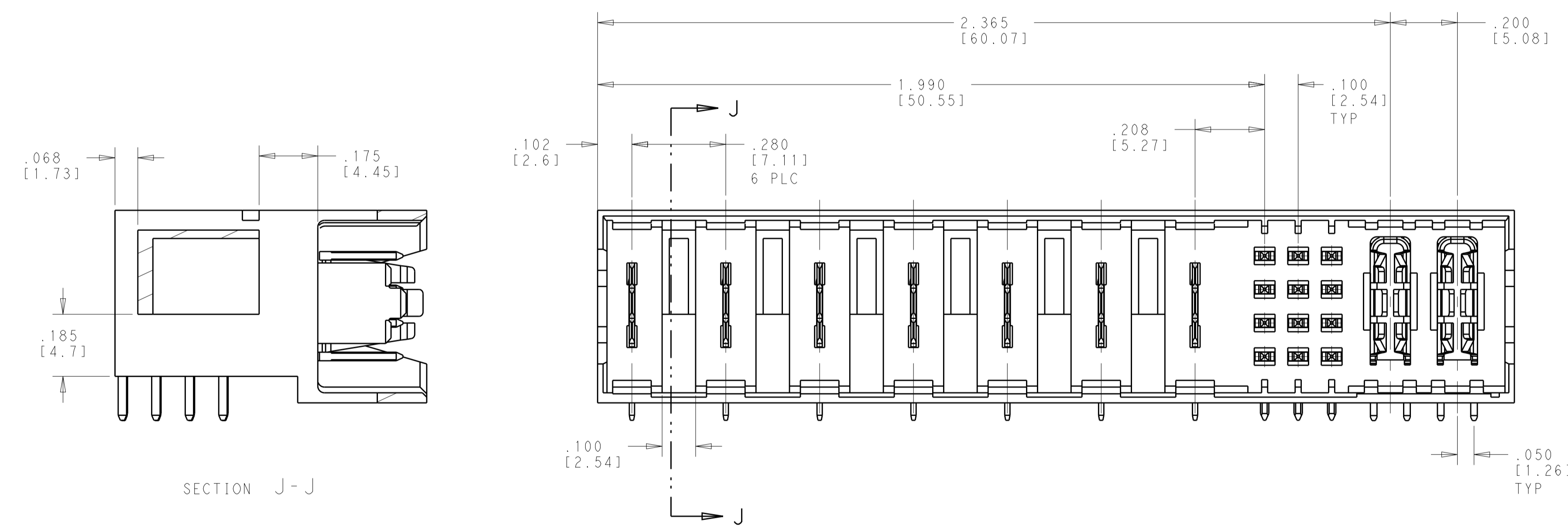


REVISIONS				
P.	LTN	DESCRIPTION	DATE	APVD
C		RELEASED PER ECO-20-010202	09JUL2020	DCB DH



- ⚠ "TE", PART NUMBER AND DATE CODE TO BE MARKED IN AREA SHOWN PARTS UNDER 2.00 [50.8] LONG MAY BE MARKED ON BOTH SIDES
- ⚠ MATERIAL:
 HOUSING - GLASS FILLED HIGH TEMP THERMO PLASTIC, BLACK, UL94 V-0
 SIGNAL CONTACT - HIGH CONDUCTIVITY COPPER ALLOY
 POWER CONTACT - HIGH CONDUCTIVITY COPPER ALLOY
 LOW POWER CONTACT - HIGH CONDUCTIVITY COPPER ALLOY
- ⚠ CONTACT PLATING:
 SIGNAL CONTACTS - .000050 [0.00127] MIN Ni UNDER ALL
 .000050 [0.00127] MIN Au ON CONTACT AREA
 .000005 [0.00013] MIN Au AT PCB INTERFACE
 POWER CONTACTS - .000050 [0.00127] MIN Ni UNDER ALL
 .000050 [0.00127] MIN Au ON CONTACT AREA
 .000005 [0.00013] MIN Au AT PCB INTERFACE
- ⚠ CONNECTOR OUTLINE
- ⚠ DATUM AND BASIC DIMENSIONS ESTABLISHED BY CUSTOMER
- ⚠ PCB - ALL HOLE DIAMETERS ARE FINISHED HOLE SIZES
- ⚠ PCB - $.0453 \pm .0010$ [1.151 ± 0.025] DRILLED HOLES PLATED WITH $.0003$ [0.008] MIN Sn OVER $.001$ -.003 [0.03-0.08] Cu PLATING TO ACHIEVE A $.040 \pm .003$ [1.02 ± 0.08] HOLE.
- ⚠ SUGGESTED NON-PLATED CLEARANCE SLOTS FOR HIGH VOLTAGE APPLICATIONS. OPTIONAL HIGH VOLTAGE FIN COMPONENTS 2313445-1 SOLD SEPARATELY (6 PER CONNECTOR).



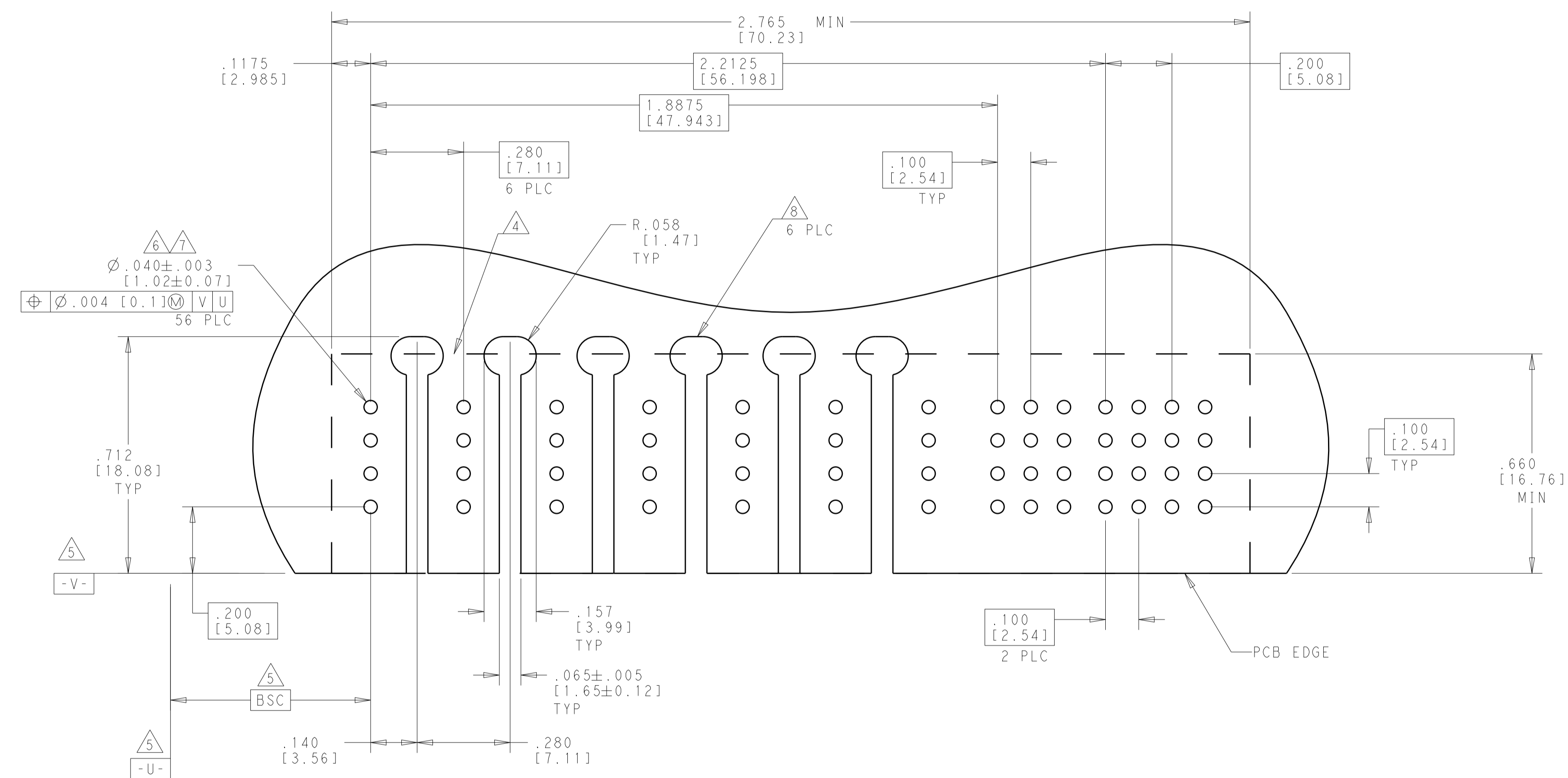
7LP+12S+2P	2332791-1
DESCRIPTION	PART NUMBER

THIS DRAWING IS A CONTROLLED DOCUMENT.		DWN: D. BELACK 09SEP2018	TE Connectivity	
DIMENSIONS: INCHES [mm]		CHK: -	NAME: MULTIBEAM 270V, RA ASSY	
TOLERANCES UNLESS OTHERWISE SPECIFIED:		APVD: C. GINGRICH 09SEP2018	PRODUCT SPEC: 108-163023	
0 PLC ±		PRODUCT SPEC: -	APPLICATION SPEC: -	
1 PLC ±		APPLICATION SPEC: 114-13251	SIZE: CAGE CODE: DRAWING NO: A100779C=2332791	
2 PLC ±		WEIGHT: -	RESTRICTED TO: -	
3 PLC ±.005		CUSTOMER DRAWING	SCALE: 4:1 SHEET 1 OF 2 REV C	
4 PLC ±.0020				
ANGLES: ±				
FINISH: ⚠				

REVISIONS				
P.	LTN	DESCRIPTION	DATE	APVD
-	-	SEE SHEET 1	-	-

PART NUMBER	ROWS	POWER												SIGNAL			POWER	
		LP1	LP2	LP3	LP4	LP5	LP6	LP7	LP8	LP9	LP10	LP11	LP12	LP13	1	2	3	P1
2332791-1	D													J	J	J		
	C	LM	-	LM	-	LM	-	LM	-	LM	-	LM	-	K	K	K	TM	TM
	B													N	N	N		
	A													S	S	S		

7LP+12S+2P



RECOMMENDED PCB LAYOUT

STD SOLDER TYPE SIGNAL CONTACT, .135 [3.43] TAIL LENGTH, ROW D	J
STD SOLDER TYPE SIGNAL CONTACT, .135 [3.43] TAIL LENGTH, ROW C	K
STD SOLDER TYPE SIGNAL CONTACT, .135 [3.43] TAIL LENGTH, ROW B	N
STD SOLDER TYPE SIGNAL CONTACT, .135 [3.43] TAIL LENGTH, ROW A	S
STD SOLDER TYPE POWER CONTACT, .135 [3.43] TAIL LENGTH	TM
STD SOLDER TYPE POWER CONTACT, .135 [3.43] TAIL LENGTH	LM

DESCRIPTION		IDENTIFIER	
THIS DRAWING IS A CONTROLLED DOCUMENT.		DWN: D. BELACK 09SEP2018	
DIMENSIONS: INCHES [mm]		CHK: -	
TOLERANCES UNLESS OTHERWISE SPECIFIED:		APVD: C. GINGRICH 09SEP2018	
0 PLC ±	1 PLC ±	NAME: MULTIBEAM 270V, RA ASSY	
2 PLC ±	3 PLC ±	VITA 62.1 3U P0, SOLDER	
4 PLC ±.005	5 PLC ±.002	PRODUCT SPEC: 108-163023	
ANGLES ±.020	FINISH: 2	APPLICATION SPEC: -	
MATERIAL: -		SIZE: 114-13251	
FINISH: 3		WEIGHT: -	
CUSTOMER DRAWING		SCALE: 4:1 SHEET 2 OF 2 REV C	