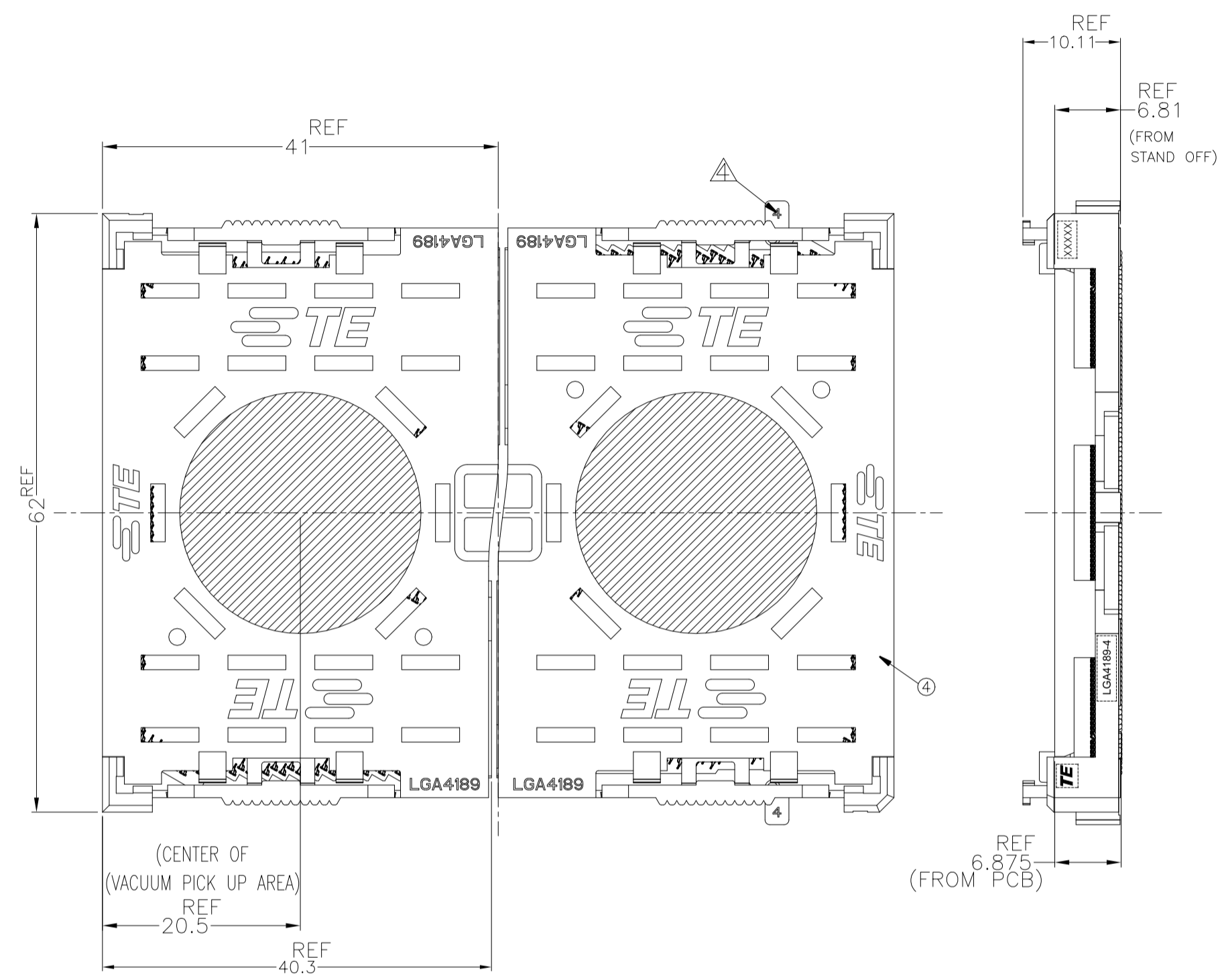


LOC	DIST	REVISIONS					
		P	LTR	DESCRIPTION	DATE	DWN	APVD
ES	-	A		RELEASE DRAWING	31OCT2019	G.L	S.L

1. MATERIAL
- ① HOUSING : HIGH TEMP, THERMO-PLASTIC, UL94V-0, BLACK
  - ② CONTACT : COPPER ALLOY  
FINISH : Au PL. SHOW AS 7 AT CONTACT AREA  
ON OVERALL OVER Ni UNDER PL. 0.00127 MIN.
  - ③ SOLDER BALL : Sn/Ag/Cu
  - ④ CAP : HIGH TEMP. THERMO-PLASTIC, UL94V-0, NATURAL
- △ INDICATED DATE CODE , TYCO LOGO, PRODUCT NAME ON THE HSG  
 △ FOR NORMAL ORDER, LEFT AND RIGHT SEGMENT SHOULD ORDER AT SAME TIME  
 △ THE NUMBER INDICATED SOCKET NAME, "4" FOR SOCKET P4, "5" FOR SOCKET P5.  
 △ THE PAD SIZE IS FOR REFERENCE, CUSTOMER CAN FOLLOW INTEL INSTRUNCTION TO DESIGN  
 △ THESE DIMENSIONS FOR BACK PLATE SCREW HOLE.



FOR DG1.0

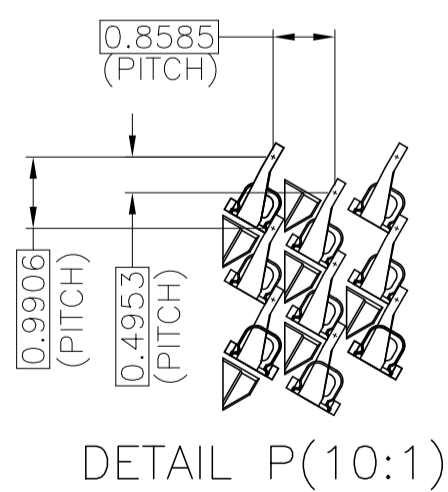
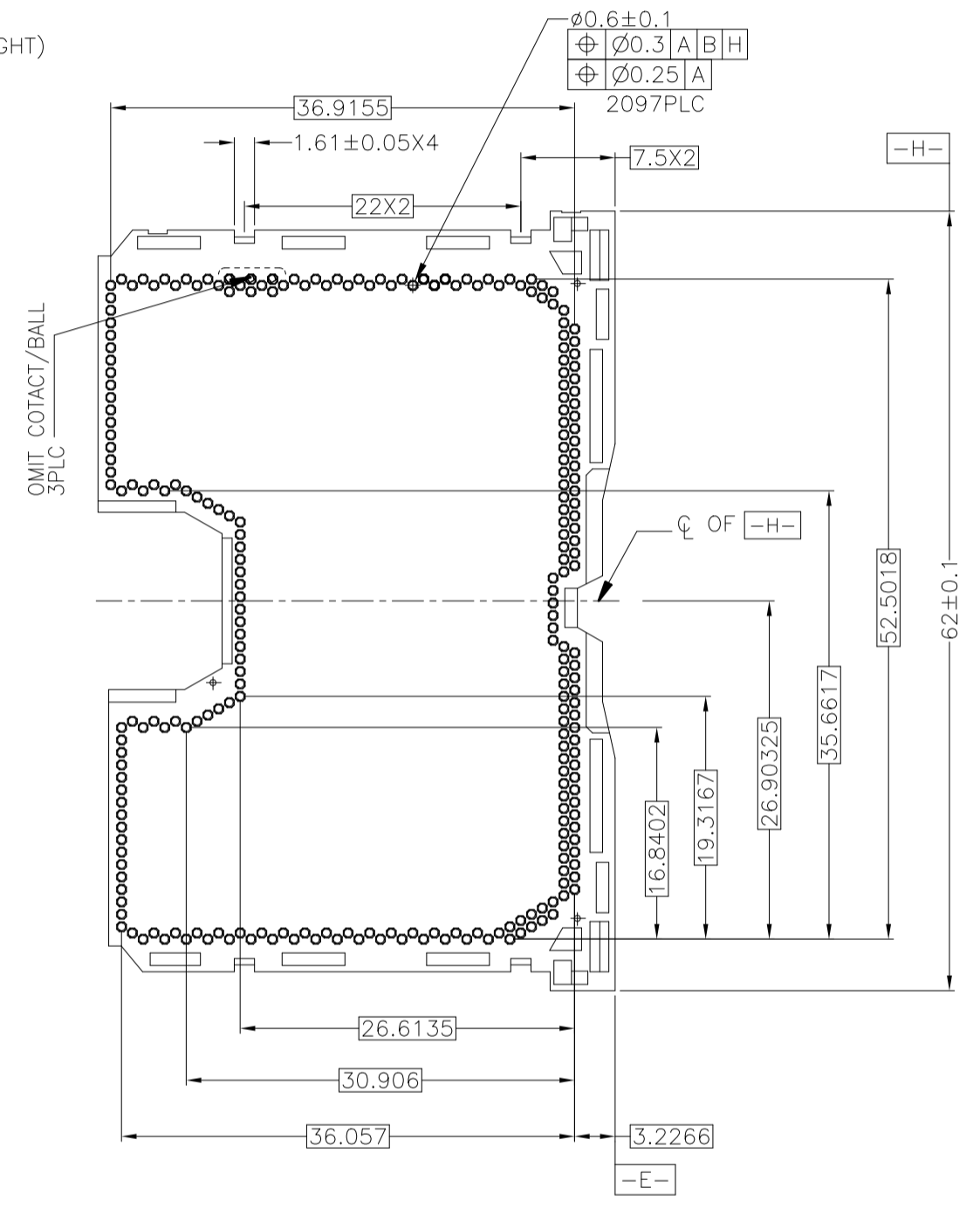
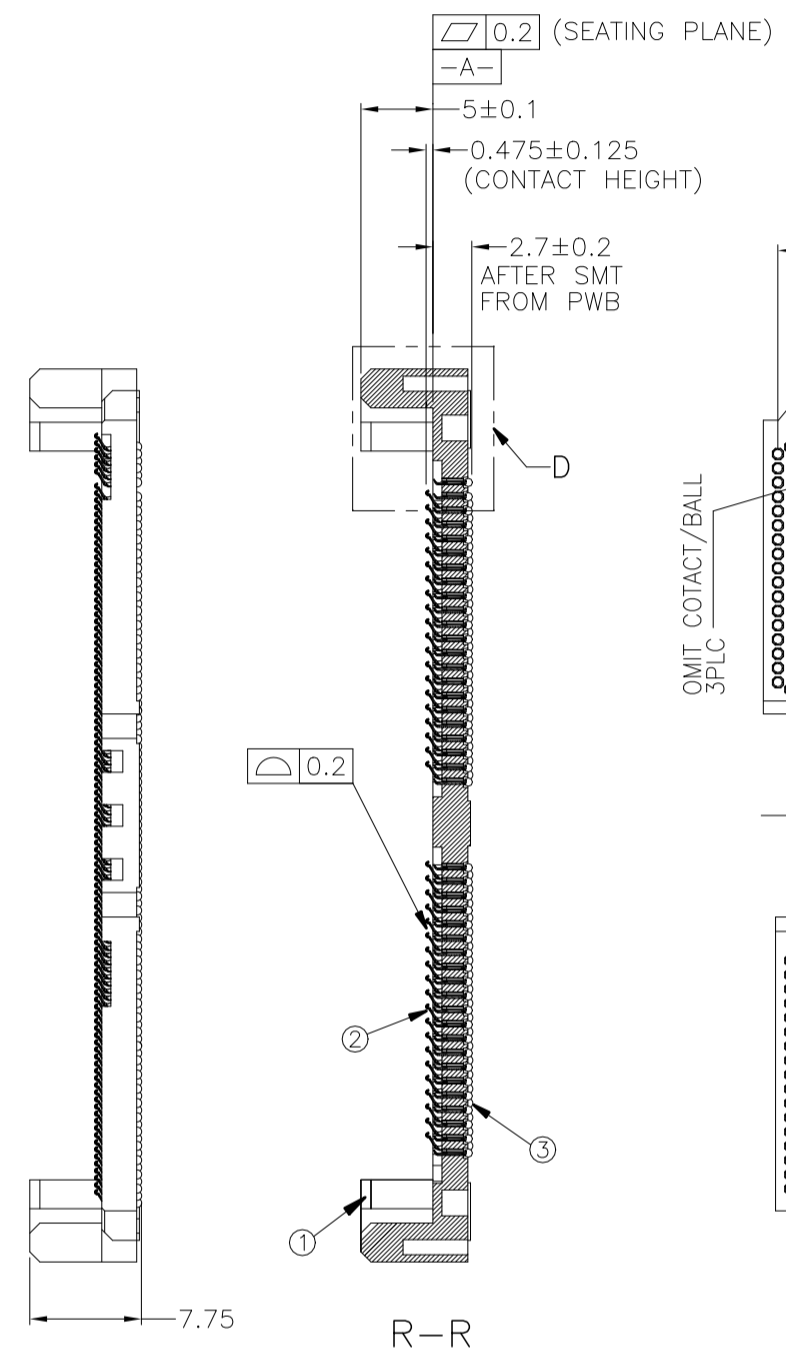
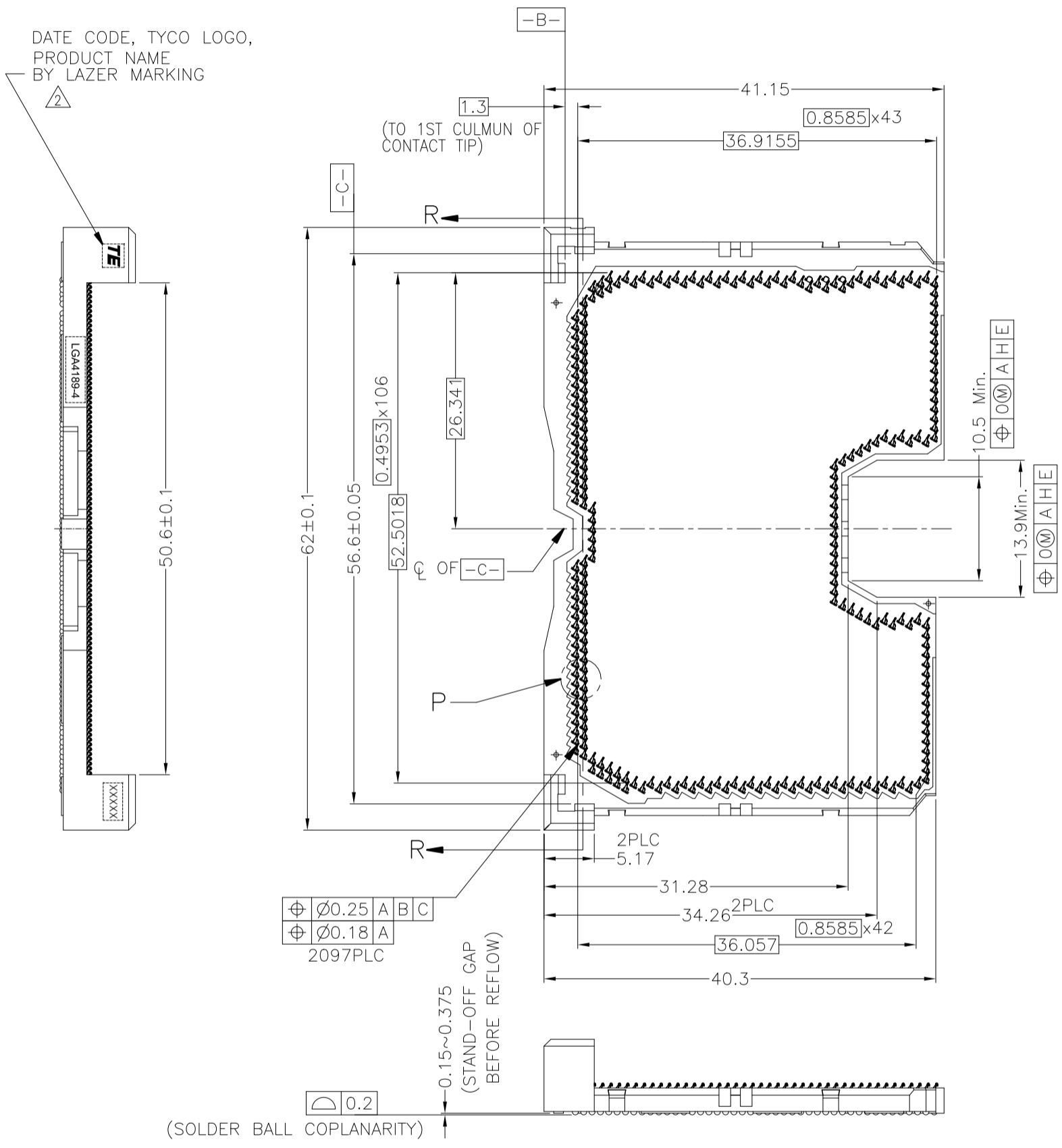
AFTER SMT CONDITION (WITH CAP)  
 DEMONSTRATION BY SOCKET P4, LGA4189-4

	15u" AU PLATING		30u" AU PLATING		DESCRIPTION
	LGA4189-4 SOCKET P4	LGA4189-5 SOCKET P5	LGA4189-4 SOCKET P4	LGA4189-5 SOCKET P5	
LGA4189-4 RIGHT SEGMENT					
LGA4189-4 LEFT SEGMENT					
LGA4189-5 RIGHT SEGMENT					
LGA4189-5 LEFT SEGMENT					
LGA4189-4 RIGHT SEGMENT					
LGA4189-4 LEFT SEGMENT					
LGA4189-5 RIGHT SEGMENT					
LGA4189-5 LEFT SEGMENT					
15.2					1-2332283-3
					1-2332283-1
					1-2332283-4
					1-2332283-2
PRODUCT WEIGHT (g/SOCKET)	QUANTITY PER UNIT				PACKAGE P/N

THIS DRAWING IS A CONTROLLED DOCUMENT.		DWN 22AUG2017	TE Connectivity	
		BILL LV 22AUG2017		
		CHK 22AUG2017	NAME SOCKET ASSY LGA4189-X	
		APVD 22AUG2017		
		SIMON LI	PRODUCT SPEC 108-115115 APPLICATION SPEC 114-115011	
DIMENSIONS: mm		TOLERANCES UNLESS OTHERWISE SPECIFIED:		SIZE A2
		0-PLC ± 1-PLC ±0.3 2-PLC ± 3-PLC ±3 4-PLC ± ANGLES ±		CAGE CODE 00779
MATERIAL -		FINISH -		DRAWING NO G-2332283
				RESTRICTED TO -
				CUSTOMER DRAWING
				SCALE NTS
				SHEET 1 OF 7
				REV A

LOC		DIST		REVISIONS			
P	LTR	DESCRIPTION	DATE	DWN	APVD		
-	-	SEE SHEET 1	-	-	-	-	-

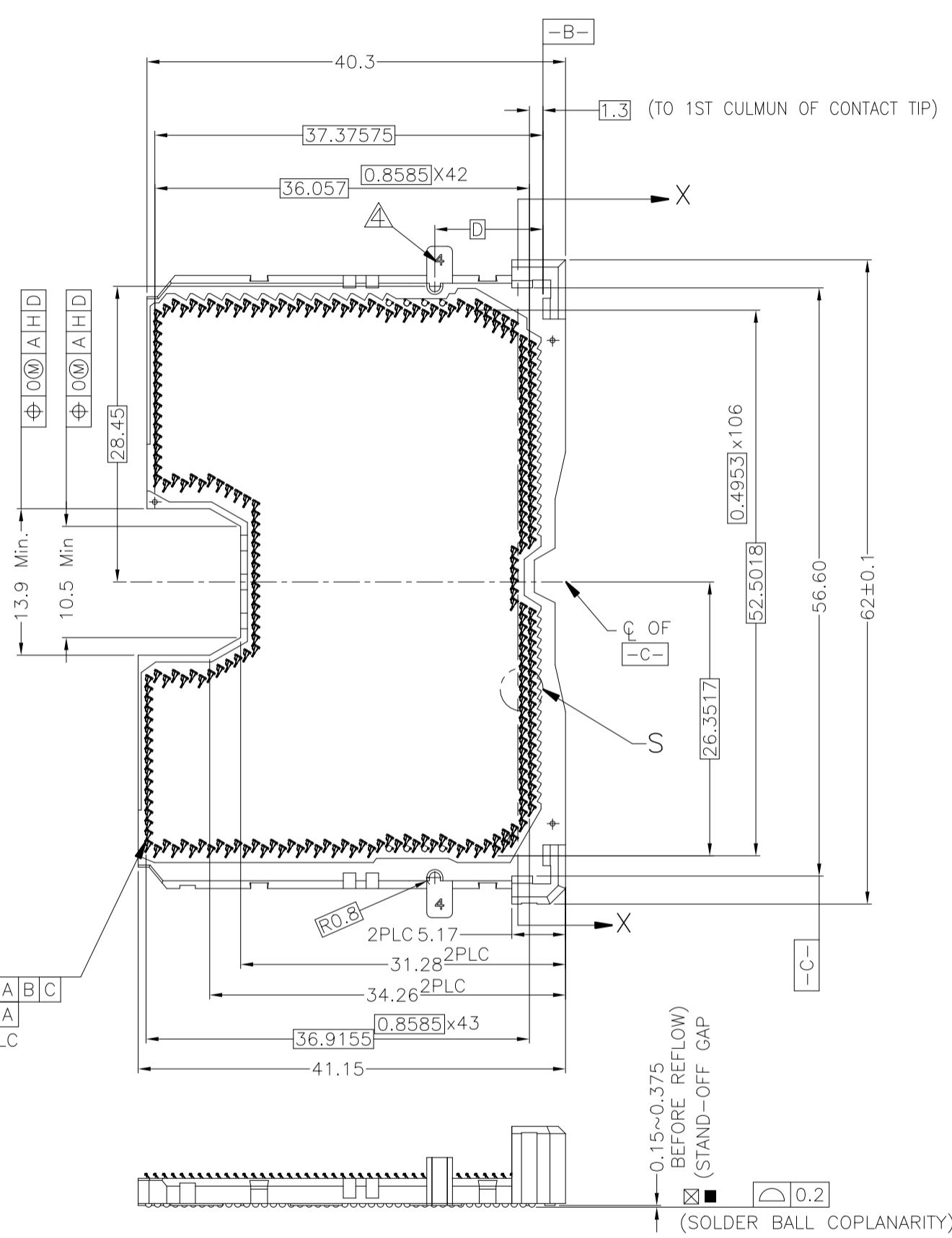
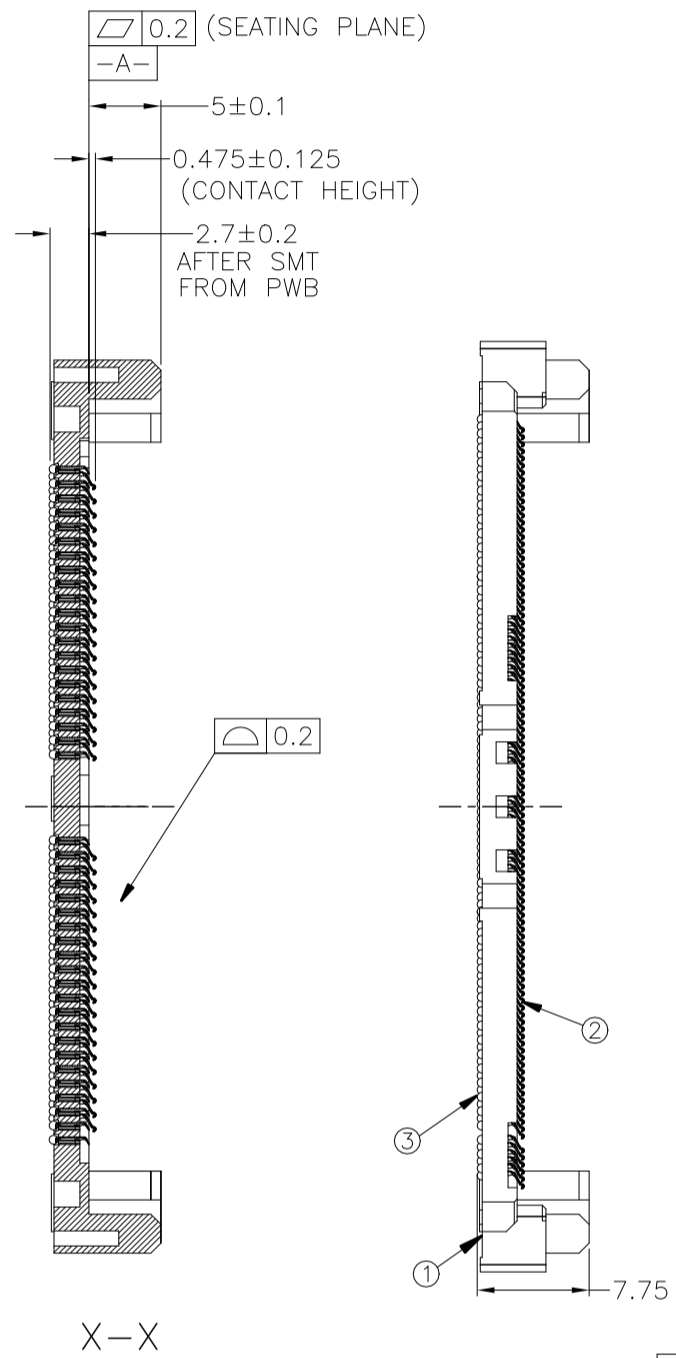
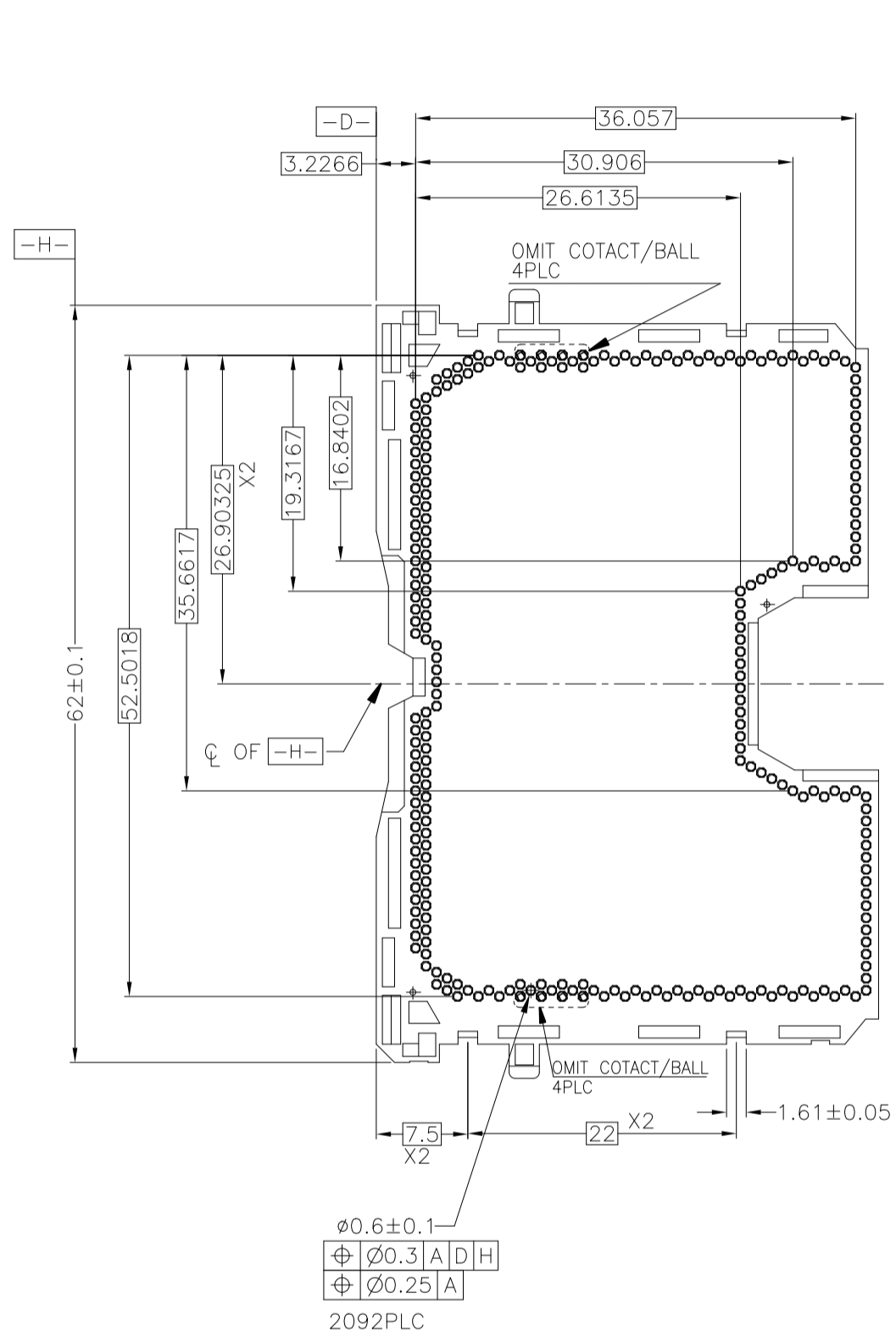
DATE CODE, TYCO LOGO,  
 PRODUCT NAME  
 BY LAZER MARKING



THESE VIEW DON'T SHOW CAP  
 BEFORE SMT CONDITION  
 LGA4189-4 LEFT SIDE ASSY  
 1-2323614-\* AS SHOWN

THIS DRAWING IS A CONTROLLED DOCUMENT.		DWN	TE Connectivity	
DIMENSIONS: mm		CHK	SOCKET ASSY LGA4189-X	
TOLERANCES UNLESS OTHERWISE SPECIFIED:		APVD	NAME	
0-PLC ±		PRODUCT SPEC	SIZE CAGE CODE DRAWING NO RESTRICTED TO	
1-PLC ±0.3		APPLICATION SPEC	A2 00779 2332283	
2-PLC ±		WEIGHT	CUSTOMER DRAWING SCALE NTS SHEET 2 OF 7 REV A	
3-PLC ±				
4-PLC ±				
ANGLES ±				
FINISH				

LOC	DIST	REVISIONS			
P	LTR	DESCRIPTION	DATE	DWN	APVD
ES	-	SEE SHEET 1	-	-	-



THESE VIEW DON'T SHOW CAP BEFORE SMT CONDITION  
 LGA4189-4 RIGHT SIDE ASSY  
 2323614-\* AS SHOWN

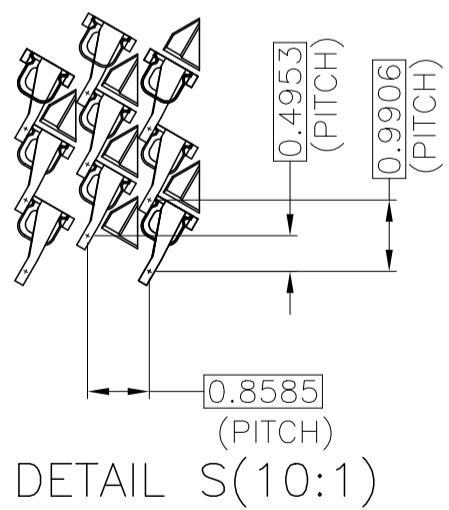
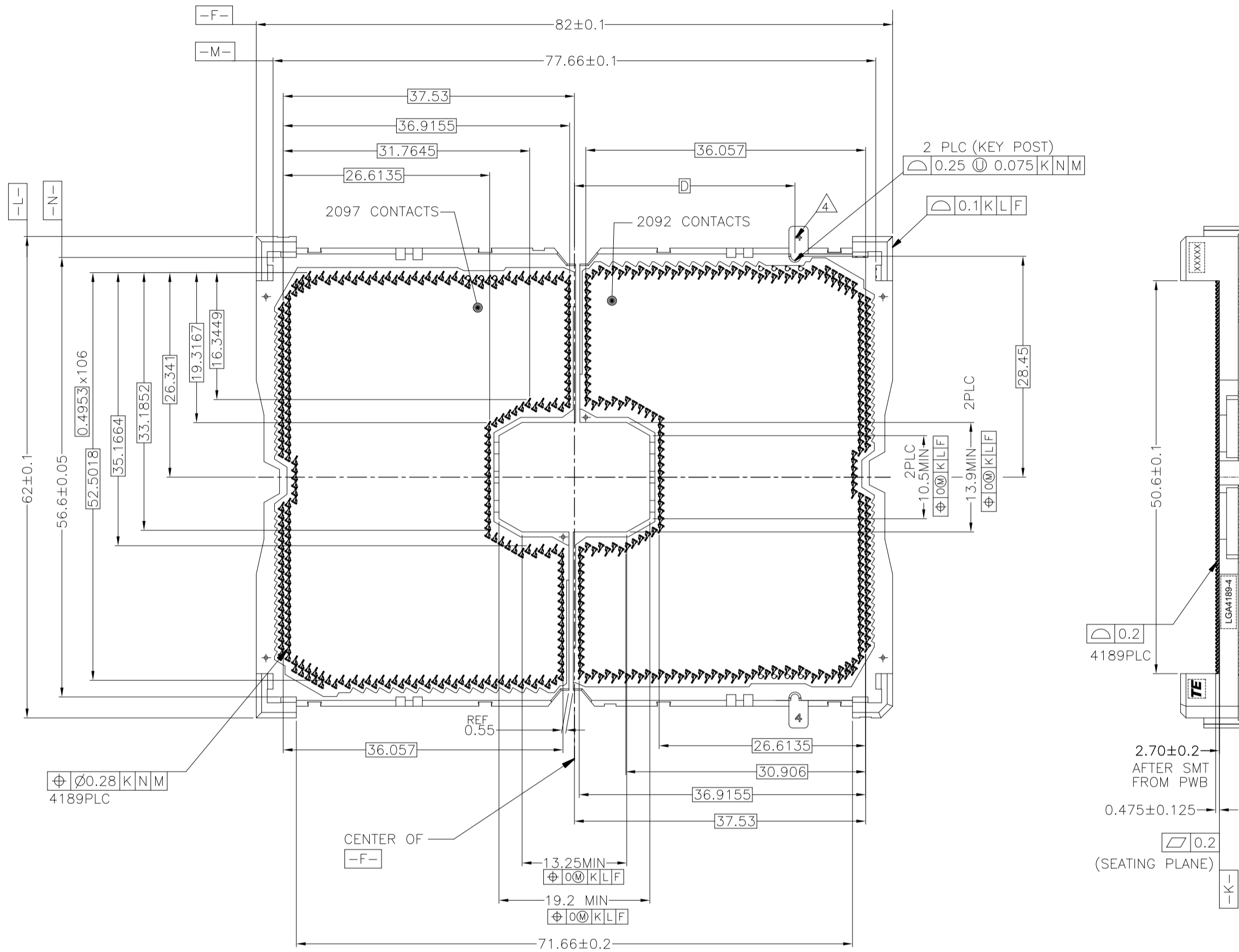


TABLE FOR P4/P5 KEY LOCATION

DESCRIPTION	DIM D
LGA4189 SOCKET P5(RIGHT SEGMENT)	13.415
LGA4189 SOCKET P4(RIGHT SEGMENT)	10.415

THIS DRAWING IS A CONTROLLED DOCUMENT.		DWN	TE Connectivity		
DIMENSIONS: mm		CHK	NAME		
TOLERANCES UNLESS OTHERWISE SPECIFIED:		APVD	SOCKET ASSY LGA4189-X		
0-PLC ±		PRODUCT SPEC	SIZE	CAGE CODE	DRAWING NO
1-PLC ±0.3		APPLICATION SPEC	A2	00779	2332283
2-PLC ±		WEIGHT	CUSTOMER DRAWING		
3-PLC ±3		SCALE NTS SHEET 3 OF 7 REV A			
4-PLC ±					
ANGLES ±					
FINISH					

LOC	DIST	REVISIONS			
P	LTR	DESCRIPTION	DATE	DWN	APVD
-	-	SEE SHEET 1	-	-	-



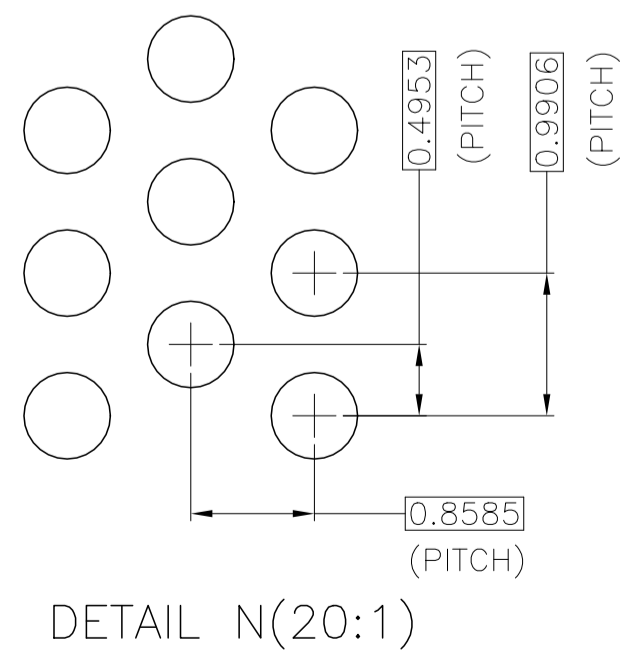
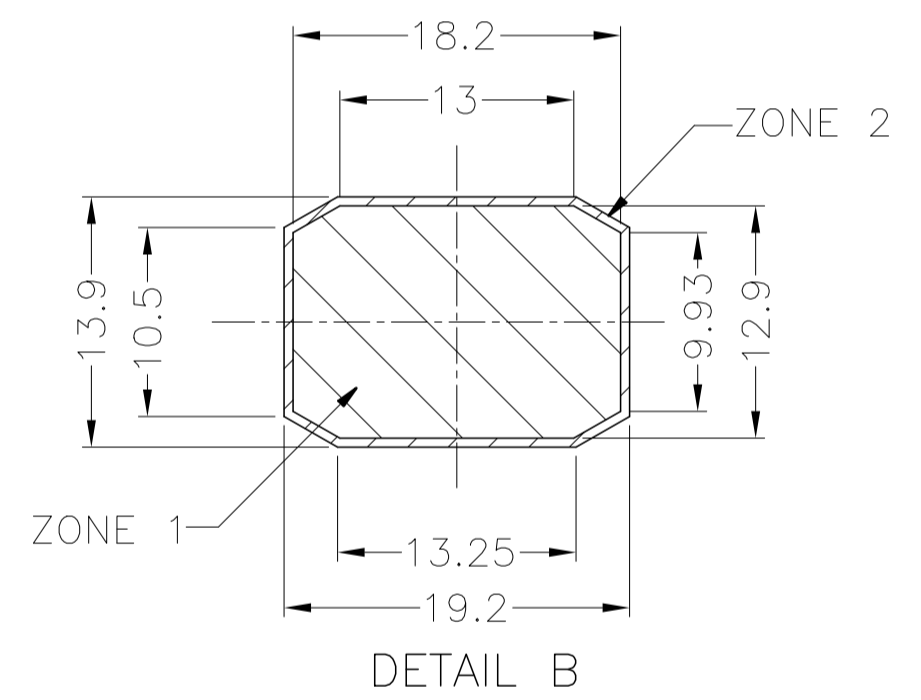
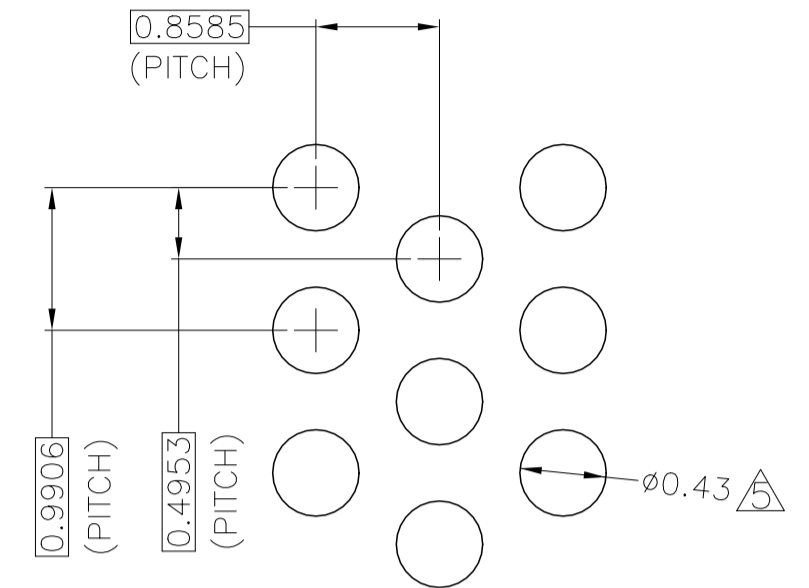
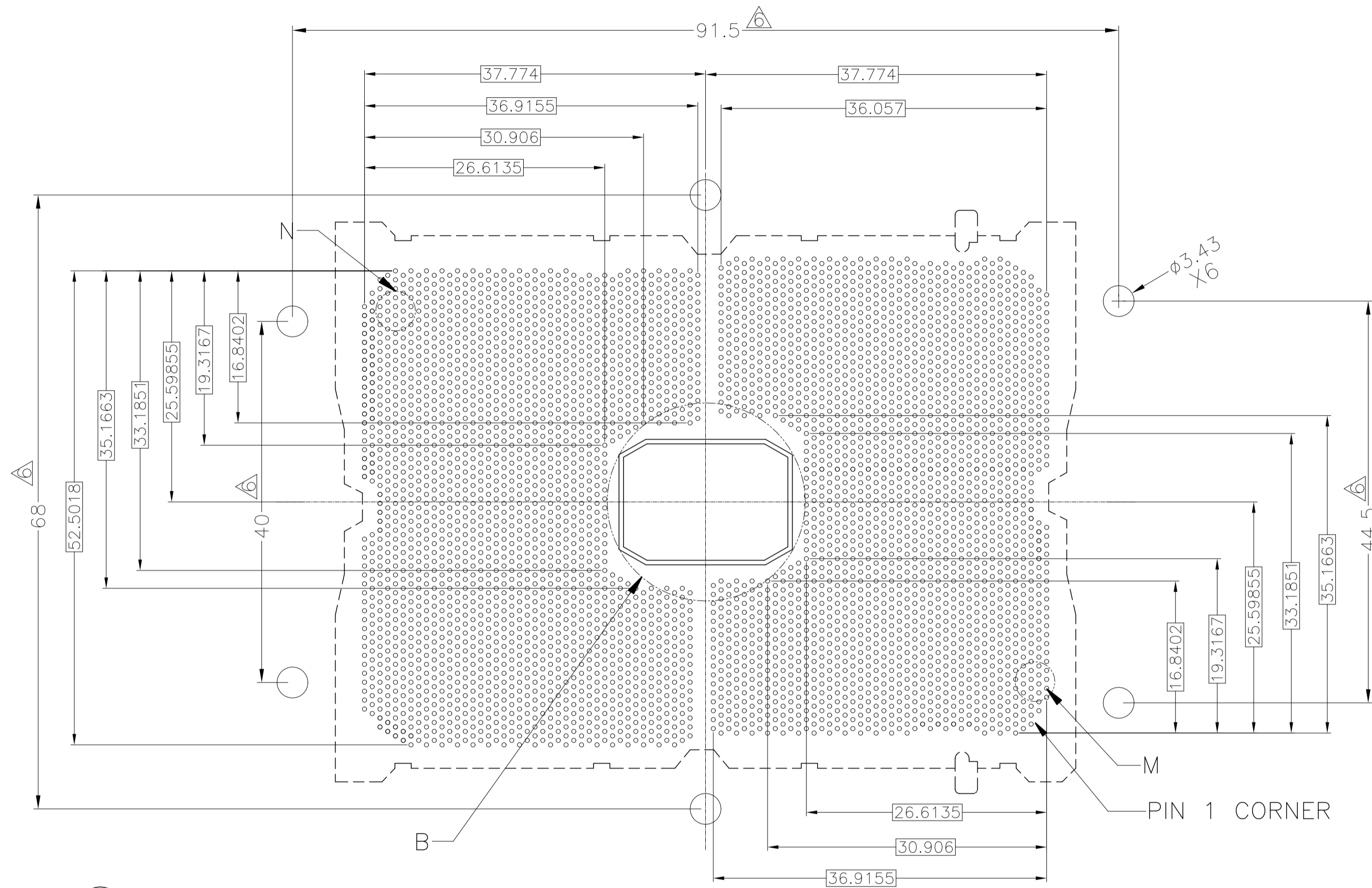
AFTER SMT CONDITION (WITHOUT CAP)

TABLE FOR P4/P5 KEY LOCATION

DESCRIPTION	DIM D
LGA4189 SOCKET P5(RIGHT SEGMENT)	25.415
LGA4189 SOCKET P4(RIGHT SEGMENT)	28.415

THIS DRAWING IS A CONTROLLED DOCUMENT.		DWN	TE Connectivity		
DIMENSIONS: mm		CHK	NAME		
TOLERANCES UNLESS OTHERWISE SPECIFIED:		APVD	PRODUCT SPEC		
0-PLC ± 1-PLC ±0.3 2-PLC ± 3-PLC ±3 4-PLC ± ANGLES ±		APPLICATION SPEC		SOCKET ASSY LGA2324271-X	
MATERIAL		WEIGHT		SIZE	RESTRICTED TO
FINISH		CUSTOMER DRAWING		A2 00779	-
		SCALE		DRAWING NO	
		NTS		G=2332283	
		SHEET		4 of 7	
		REV		A	

LOC		DIST		REVISIONS			
P	LTR	DESCRIPTION	DATE	DWN	APVD		
-	-	SEE SHEET 1	-	-	-		



PCB BALL LAYOUT REFERENCE

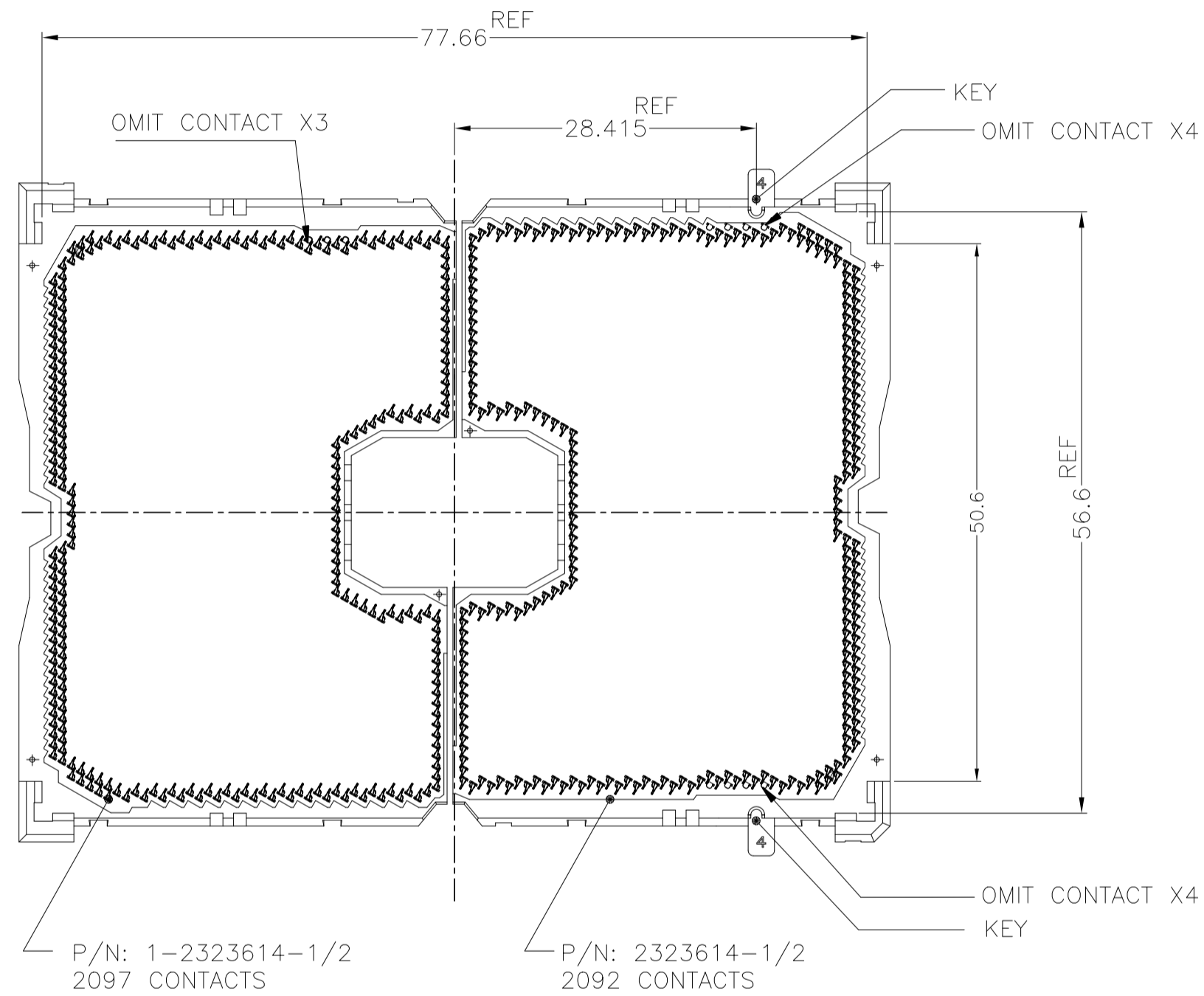
KOZ LEGEND FOR REFERENCE:

	ZONE 2: SOCKET CAVITY TO SOCKET ZONE. NO COMPONENT PLACEMENT ALLOWED 0.0mm HEIGHT RESTRICTION.
	ZONE 1: SOCKET CAVITY 1.222mm HEIGHT RESTRICTION.

THIS DRAWING IS A CONTROLLED DOCUMENT.		DWN	-		
		CHK	-		
		APVD	-		
DIMENSIONS: mm		NAME			
TOLERANCES UNLESS OTHERWISE SPECIFIED:		PRODUCT SPEC			
0-PLC ±		APPLICATION SPEC			
1-PLC ±0.3		SIZE			
2-PLC ±		CAGE CODE			
3-PLC ±		DRAWING NO			
4-PLC ±		RESTRICTED TO			
ANGLES ±		A2 00779 C=2332283			
FINISH		CUSTOMER DRAWING			
		SCALE		SHEET	
		NTS		5 of 7	
				REV A	

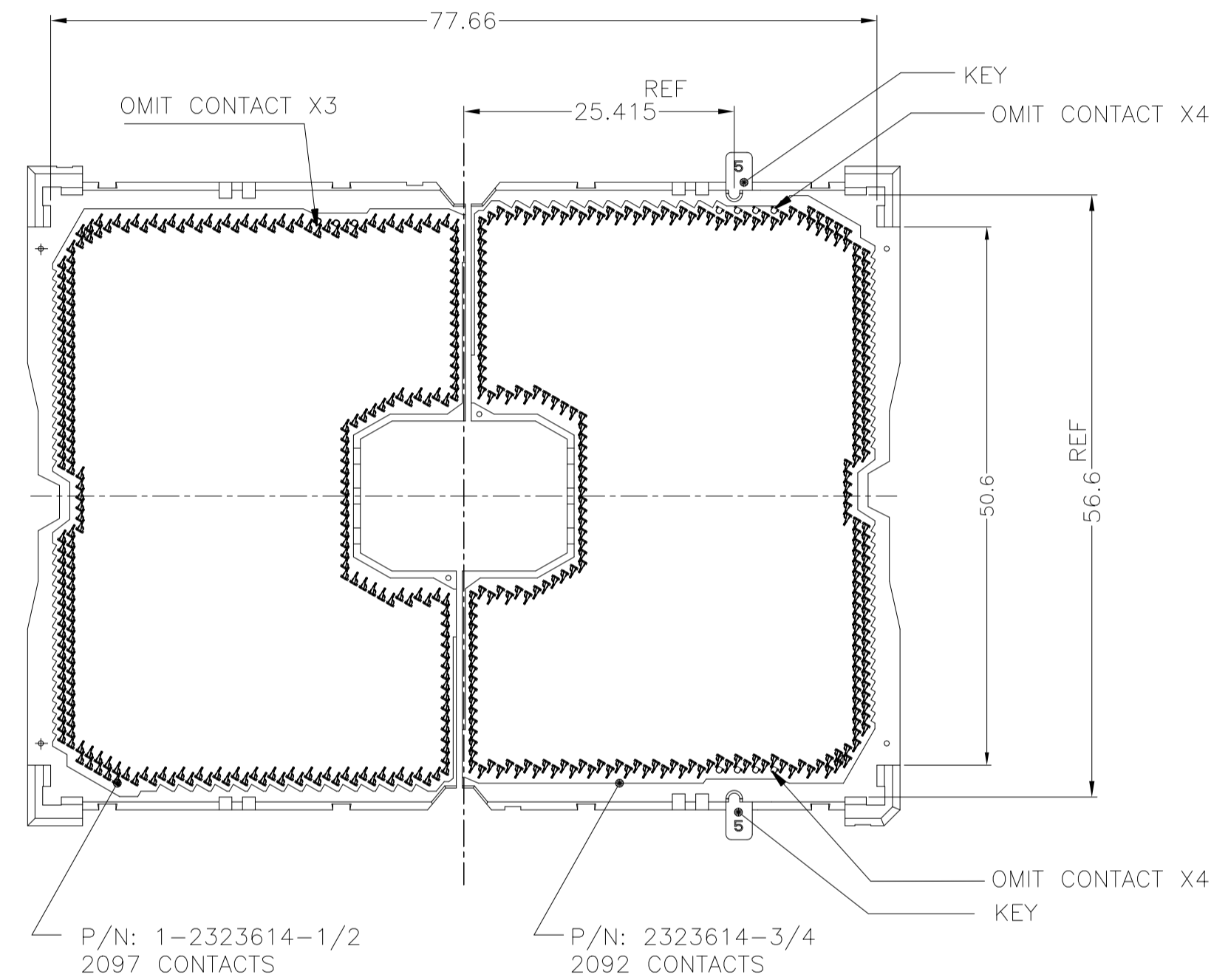
LOC		DIST		REVISIONS			
P	LTR	DESCRIPTION	DATE	DWN	APVD		
-	-	SEE SHEET 1	-	-	-		

SOCKET P4,LGA4189-4 AS SHOWN



LGA4189-4 AS SHOWN  
 AFTER SMT CONDITION (WITHOUT CAP)

SOCKET P5,LGA4189-5 AS SHOWN



LGA4189-5 AS SHOWN  
 AFTER SMT CONDITION (WITHOUT CAP)

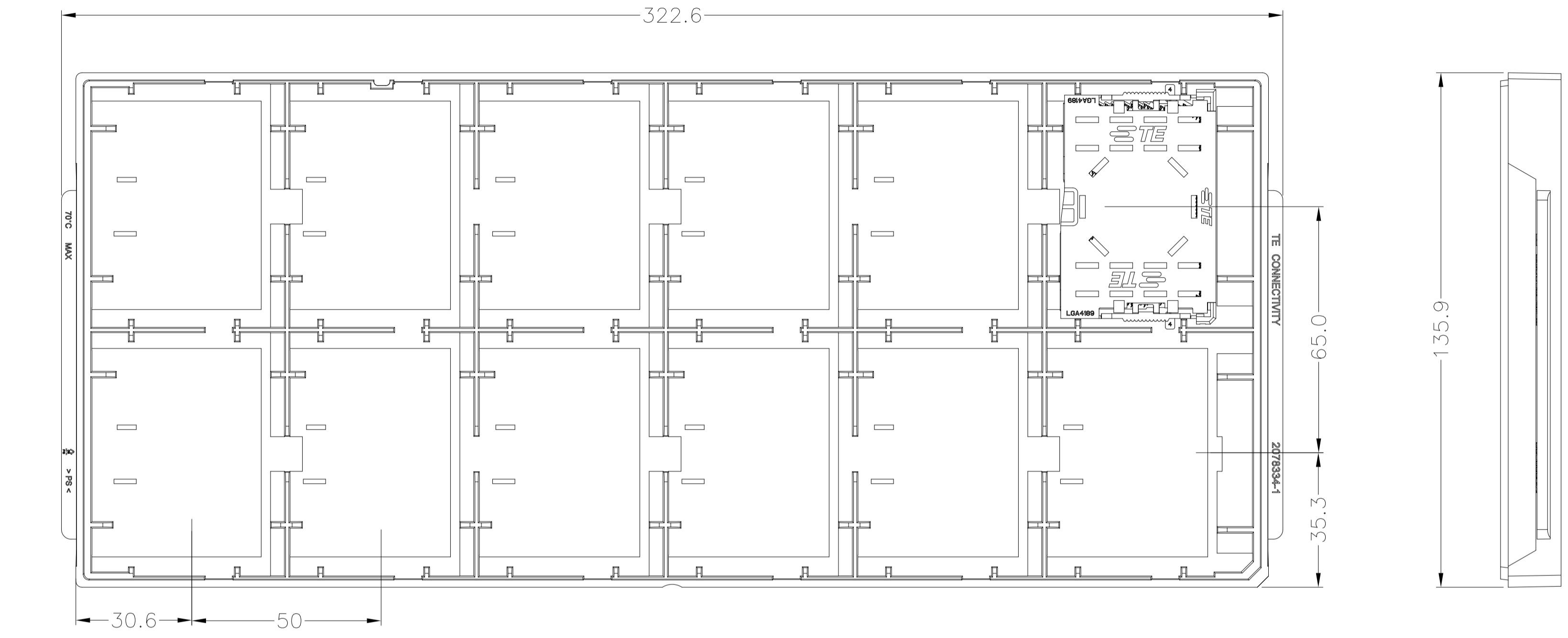
LGA4189-X POST SMT CONDITION  
 (PCB IS NOT SHOWN)

THIS DRAWING IS A CONTROLLED DOCUMENT.		DWN	-		TE Connectivity
DIMENSIONS: mm		CHK	-		
TOLERANCES UNLESS OTHERWISE SPECIFIED:		APVD	-		NAME
0-PLC ± 1-PLC ±0.3 2-PLC ± 3-PLC ±3 4-PLC ± ANGLES ± FINISH -		PRODUCT SPEC		SOCKET ASSY LGA4189-X	
MATERIAL		APPLICATION SPEC		SIZE	RESTRICTED TO
-		-		A2	-
		WEIGHT		CAGE CODE	DRAWING NO
		-		00779	2332283
		CUSTOMER DRAWING		SCALE	SHEET
		-		NTS	6 OF 7
				REV	A

2332283

THIS DRAWING IS UNPUBLISHED. RELEASED FOR PUBLICATION  
 © COPYRIGHT - Tyco Electronics JAPAN G.K. ALL RIGHTS RESERVED.

LOC	DIST	REVISIONS					
ES	-	P	LTR	DESCRIPTION	DATE	DWN	APVD
		-		SEE SHEET 1	-	-	-



FOR LEFT SEGMENT, USE BLACK TRAY TO PACKAGE.  
 FOR RIGHT SEGMENT, USE BLUE TRAY TO PACKAGE.

84	84	12	1-2332283-4	LGA4189-5 RIGHT SEGMENT	LGA4189-5 SOCKET P4
	84	12		LGA4189-5 LFFT SEGMENT	LGA4189-5 SOCKET P4
84	84	12	1-2332283-3	LGA4189-5 RIGHT SEGMENT	LGA4189-5 SOCKET P4
	84	12		LGA4189-5 LFFT SEGMENT	LGA4189-5 SOCKET P4
84	84	12	1-2332283-2	LGA4189-4 RIGHT SEGMENT	LGA4189-4 SOCKET P4
	84	12		LGA4189-4 LFFT SEGMENT	LGA4189-4 SOCKET P4
84	84	12	1-2332283-1	LGA4189-4 RIGHT SEGMENT	LGA4189-4 SOCKET P4
	84	12		LGA4189-4 LFFT SEGMENT	LGA4189-4 SOCKET P4
SOCKET QTY PER OUTER BOX		SOCKET QTY PER INNER BOX	SOCKET QTY PER TRAY	ORDER PART NUMBER	PRODUCT NAME

THIS DRAWING IS A CONTROLLED DOCUMENT.

DWN	-	 TE Connectivity	SOCKET ASSY LGA4189-X						
CHK	-		PRODUCT SPEC	-					
APVD	-		APPLICATION SPEC	-					
WEIGHT	-		SIZE	CAGE CODE	DRAWING NO	RESTRICTED TO			
MATERIAL		FINISH		A2	00779	G=2332283	-		
CUSTOMER DRAWING				SCALE	NTS	SHEET	7 OF 7	REV	A

2332283