

THIS DRAWING IS UNPUBLISHED.

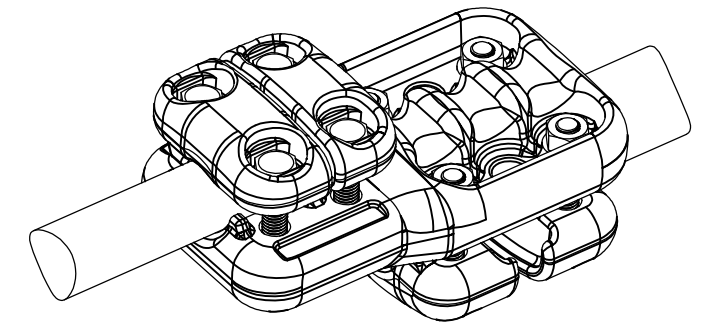
RELEASED FOR PUBLICATION

ALL RIGHTS RESERVED.

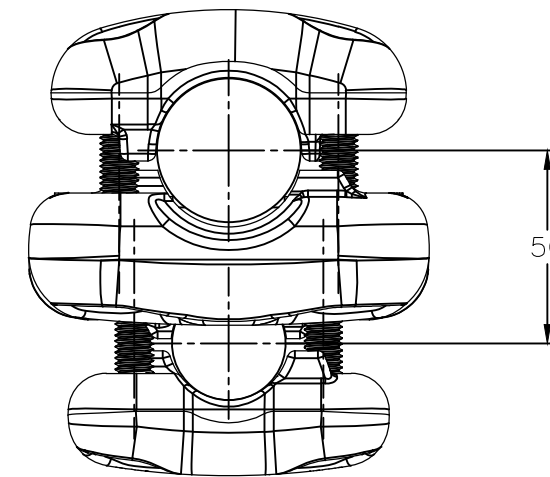
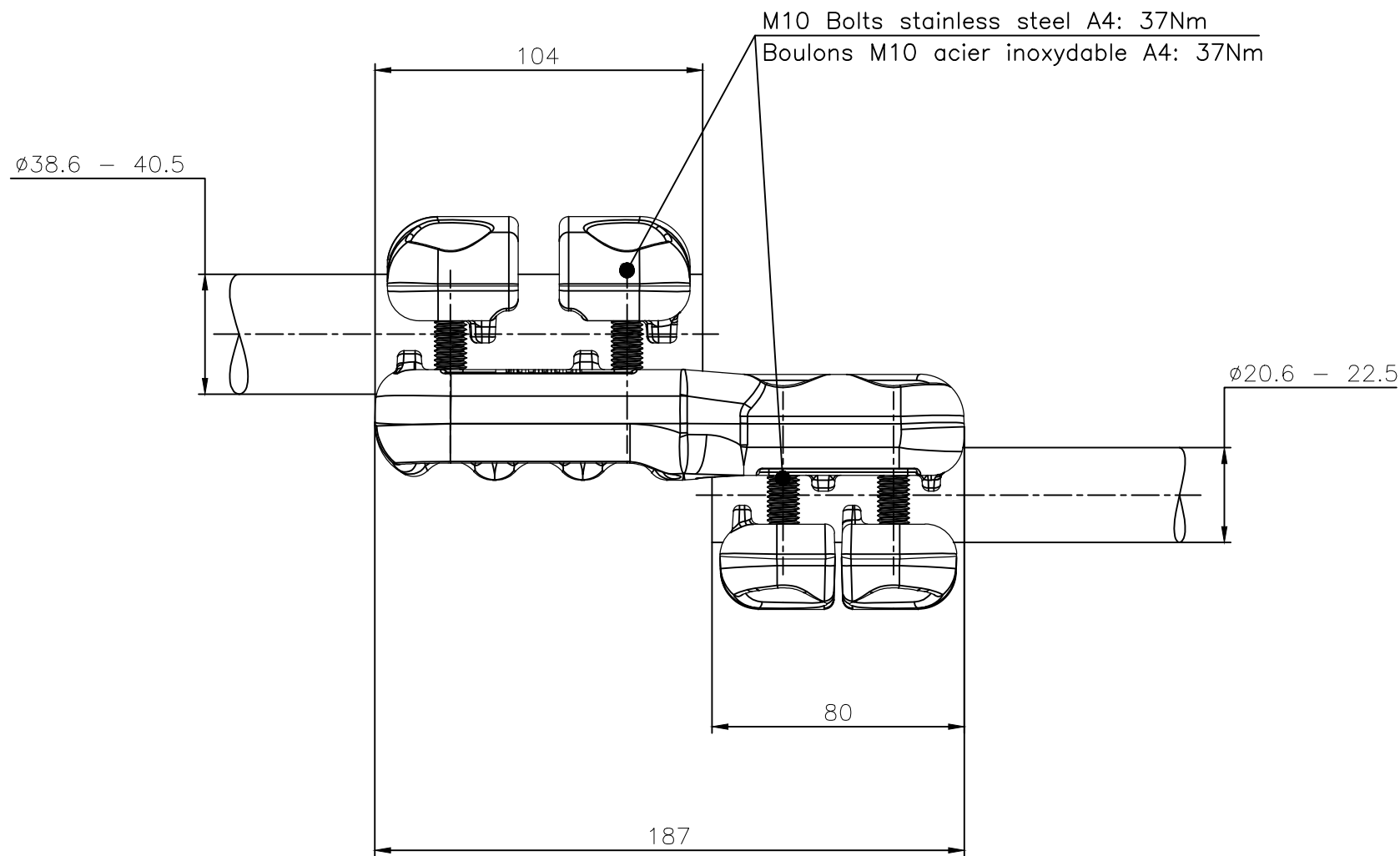
© COPYRIGHT - By -

REVISIONS

P	LTR	DESCRIPTION	DATE	DWN	APVD
	A	CREATION	20-MAR-18	GL	-



No scale
Sans échelle



THIS DRAWING IS A CONTROLLED DOCUMENT.		DWN	20-MAR-18		 TE Connectivity		
		CHK	-				
		APVD	-				
		PRODUCT SPEC	-				
DIMENSIONS: mm		TOLERANCES UNLESS OTHERWISE SPECIFIED:		NAME			
		0 PLC ± -		STRAIGHT CONNECTOR			
		1 PLC ± -		RACCORD DROIT			
		2 PLC ± -		5 CJ 84 M405 S225			
		3 PLC ± -		SIZE		CAGE CODE	DRAWING NO
		4 PLC ± -		-		A3 00779 C=2332231	
		ANGLES ± -		APPROX.WEIGHT		1.9 kg	
MATERIAL		FINISH		CUSTOMER DRAWING		SCALE	
-		-		1:2		SHEET	
				1 OF 1		REV	
				A			

ITEM:.....