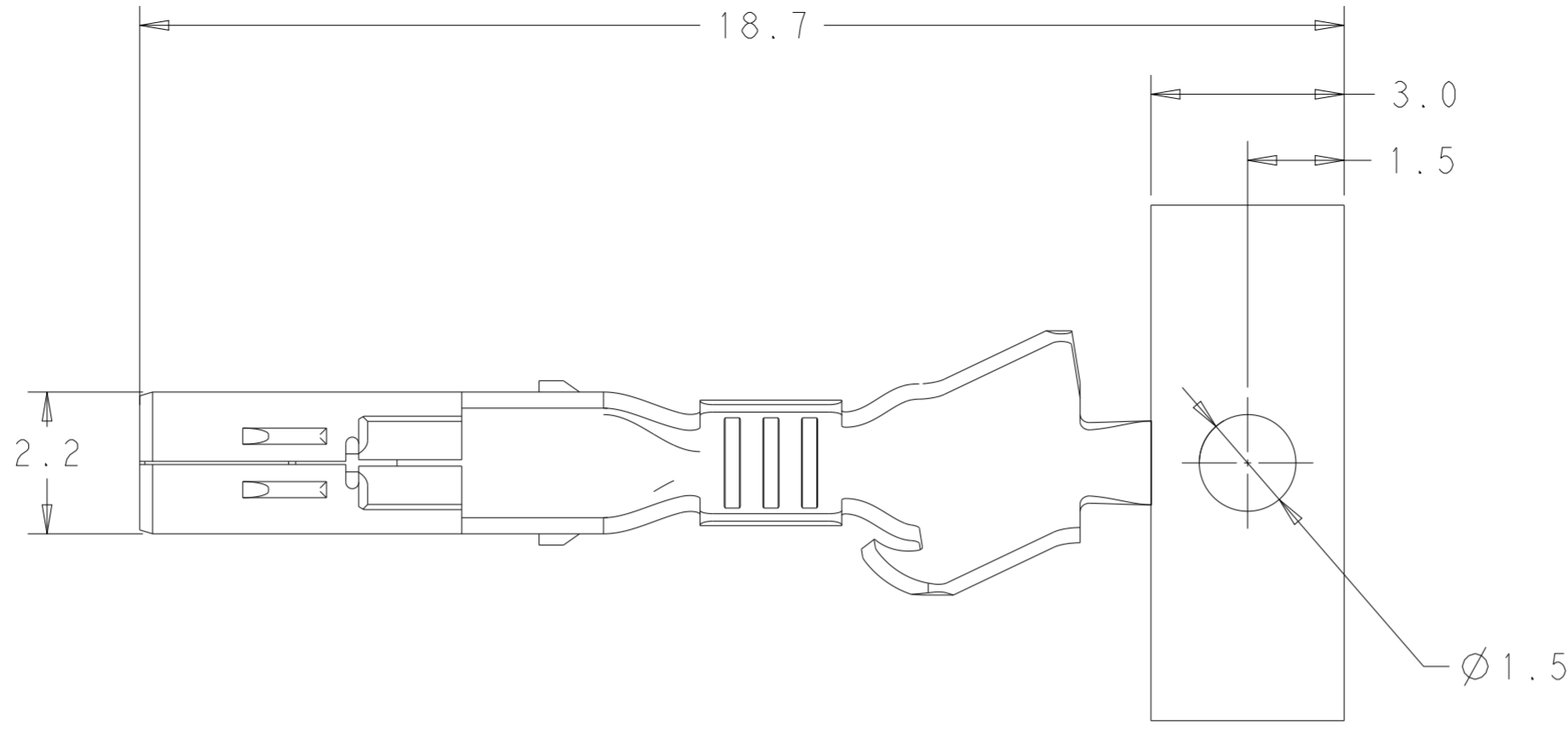
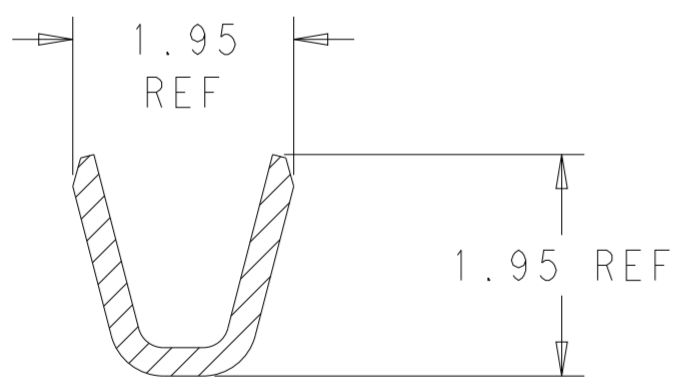
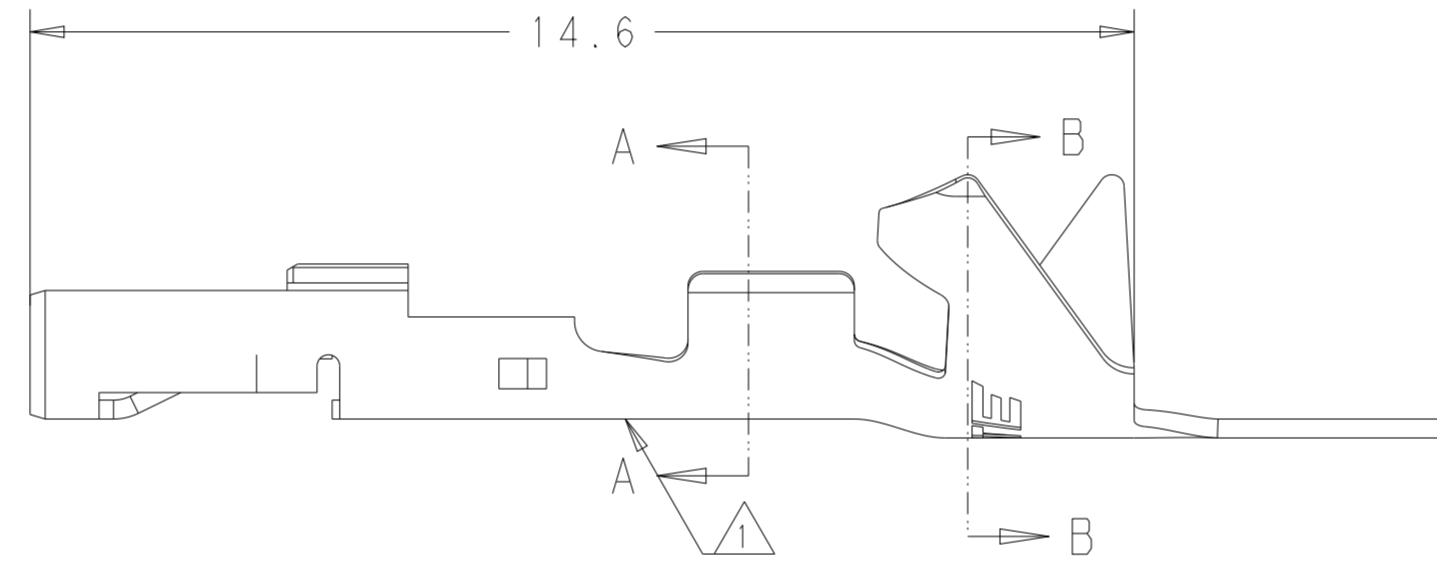
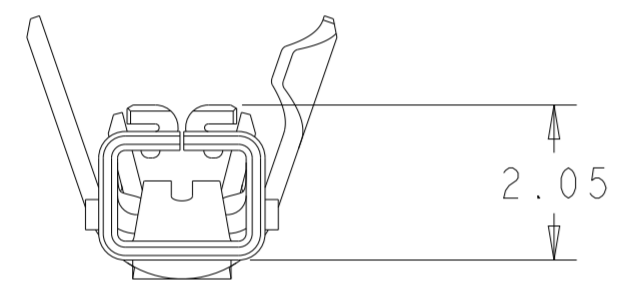


THIS DRAWING IS UNPUBLISHED. RELEASED FOR PUBLICATION  
 © COPYRIGHT copyright.dBTe ALL RIGHTS RESERVED.

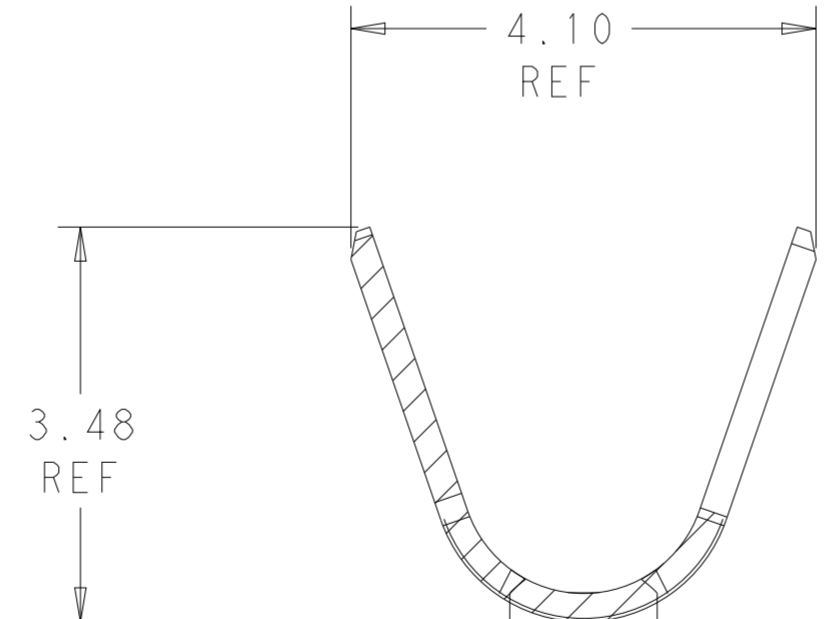
REVISIONS				
P	LTR	DESCRIPTION	DATE	APVD
	A1	REVISED PER ECR-24-199305	23FEB2024	AK DS



- 1. MATERIAL MARK
- 2. WIRE RANGE: 22-26 AWG COPPER STRANDED
- 3. INSULATION RANGE: 1.3~2.4



SECTION A-A  
SCALE 15:1



SECTION B-B  
SCALE 15:1

M2	COPPER ALLOY	2329917-1
MATERIAL MARK $\Delta$	MATERIAL	PART NUMBER

THIS DRAWING IS A CONTROLLED DOCUMENT.		DWN SREERAJ K R 12 JAN 2022	TE Connectivity	
DIMENSIONS: mm		CHK DAVID SWARTZ 12 JAN 2022		
TOLERANCES UNLESS OTHERWISE SPECIFIED:		APVD VINAY 12 JAN 2022	NAME POWER VERSA-LOCK REC TERMINAL, WIRE SEAL 22-26 AWG	
0 PLC	±	PRODUCT SPEC	108-143081	SIZE
1 PLC	±0.40	APPLICATION SPEC	114-143082	CAGE CODE
2 PLC	±0.30	WEIGHT	-	DRAWING NO
3 PLC	±	MATERIAL	-	RESTRICTED TO
4 PLC	±	FINISH	-	SCALE
ANGLES	±	CUSTOMER DRAWING	5:1	SHEET
SEE TABLE	PRE-PLATED Sn	1471-9 (3/13)	1	OF
			1	REV
				A1