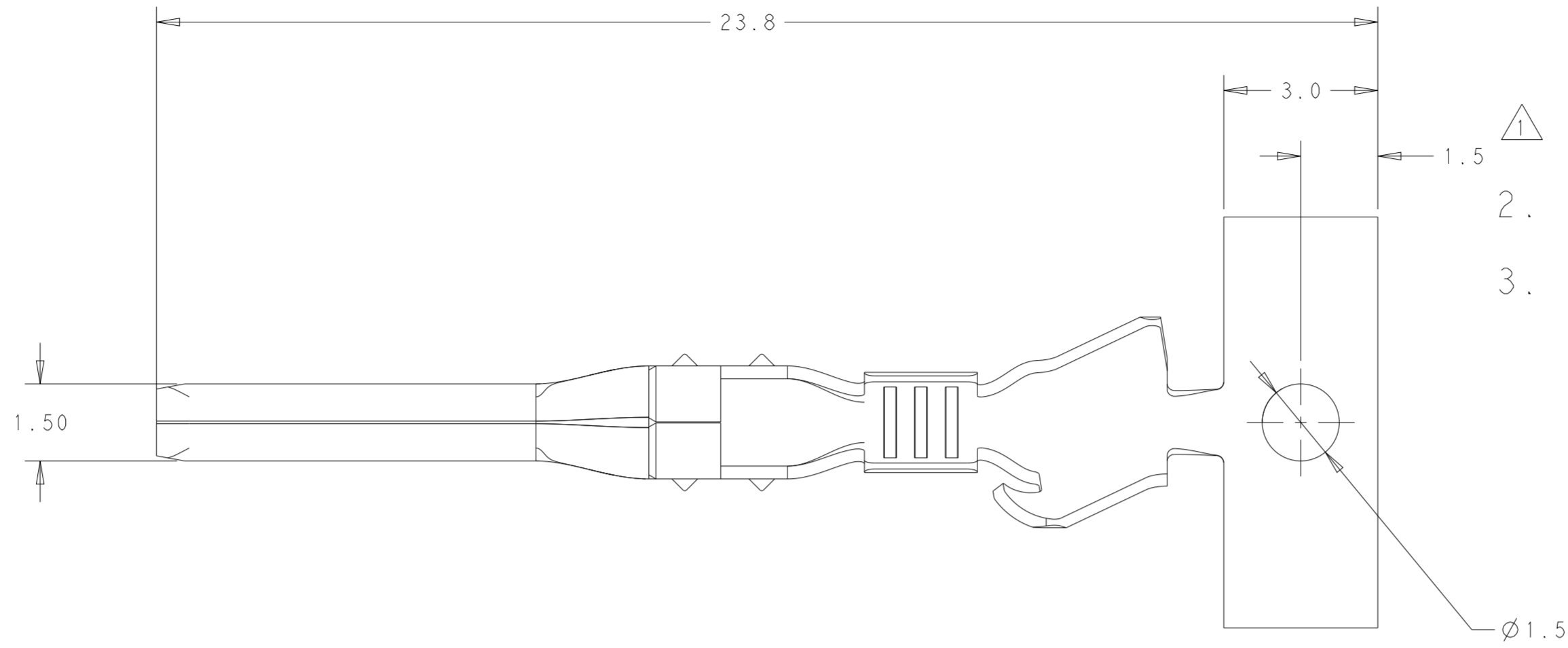
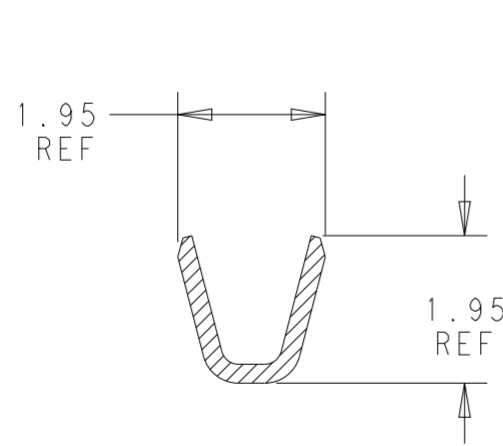
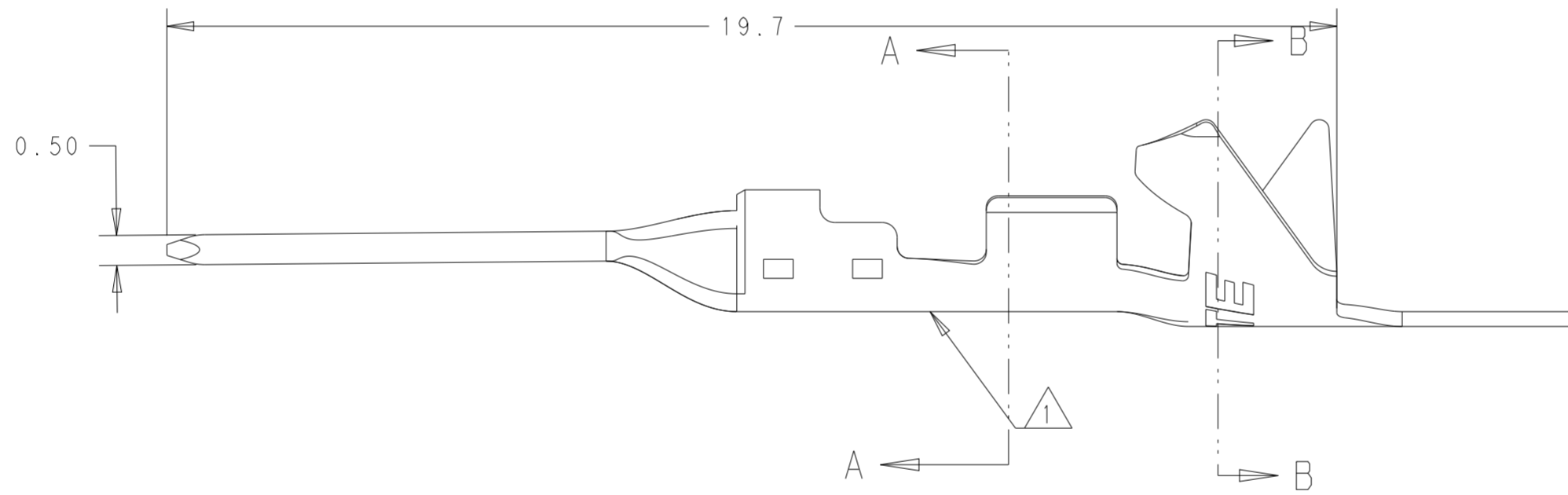
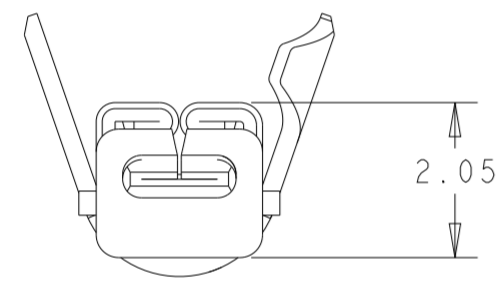


THIS DRAWING IS UNPUBLISHED. RELEASED FOR PUBLICATION 2017  
 © COPYRIGHT 2017 BY - TE CONNECTIVITY ALL RIGHTS RESERVED.

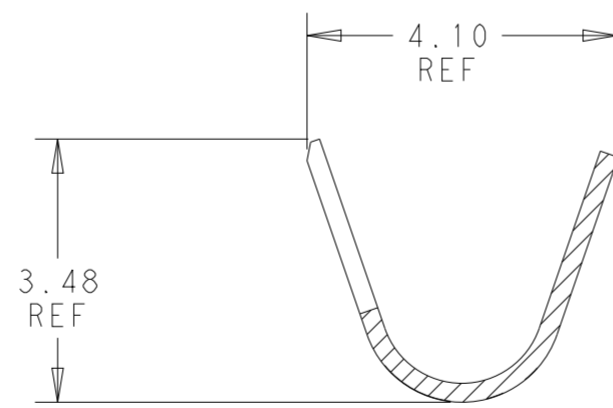
REVISIONS				
P	LTR	DESCRIPTION	DATE	APVD
	A1	REVISED PER ECR-24-199305	23FEB2024	AK DS



- 1. MATERIAL MARK
- 2. WIRE: AWG 22-26 COPPER STRANDED
- 3. INSULATION DIA RANGE: 1.3~2.4



SECTION A-A  
SCALE 10:1



SECTION B-B  
SCALE 10:1

THIS DRAWING IS A CONTROLLED DOCUMENT.

DIMENSIONS:	TOLERANCES UNLESS OTHERWISE SPECIFIED:
mm	0 PLC ±
	1 PLC ±0.40
	2 PLC ±0.30
	3 PLC ±
	4 PLC ±
	ANGLES ±3°
MATERIAL	FINISH
SEE TABLE	PRE-PLATED Sn

DWN	12 JAN 2022
CHK	12 JAN 2022
APVD	12 JAN 2022
PRODUCT SPEC	108-143081
APPLICATION SPEC	114-143082
WEIGHT	-
CUSTOMER DRAWING	SCALE 10:1

M1	BRASS	2329911-1
MATERIAL MARK 1	MATERIAL	PART NUMBER
<b>STE</b> TE Connectivity		
NAME POWER VERSA-LOCK TAB TERMINAL WIRE SEAL 22-26 AWG		
SIZE	CAGE CODE	DRAWING NO
A2	-	C-2329911
RESTRICTED TO	SHEET 1 OF 1	REV A1