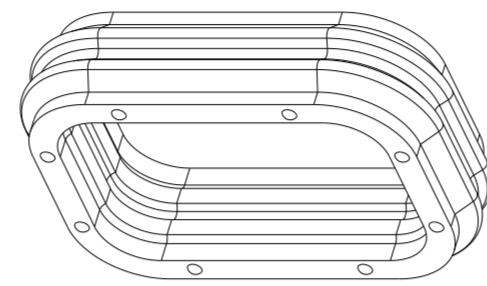
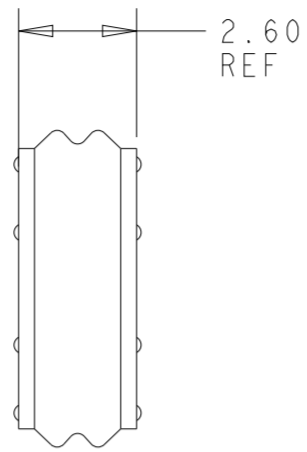
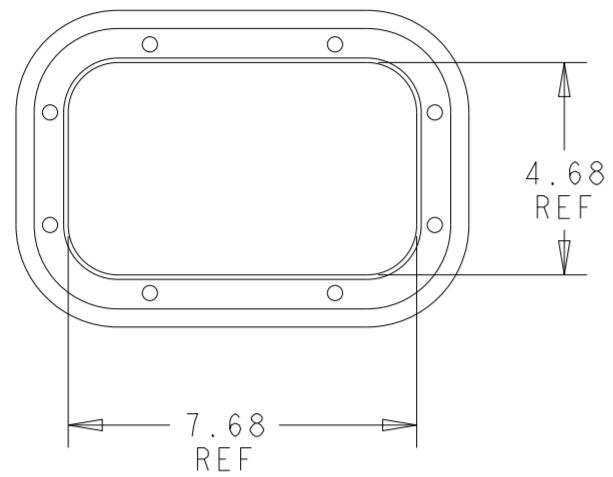
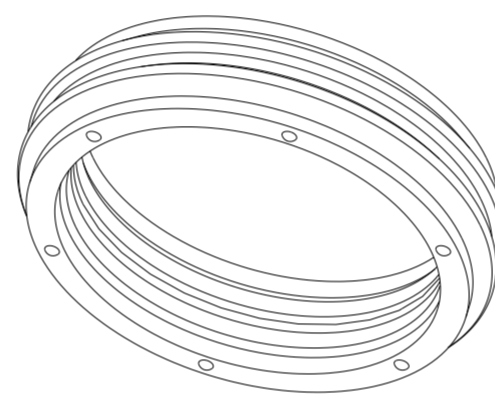
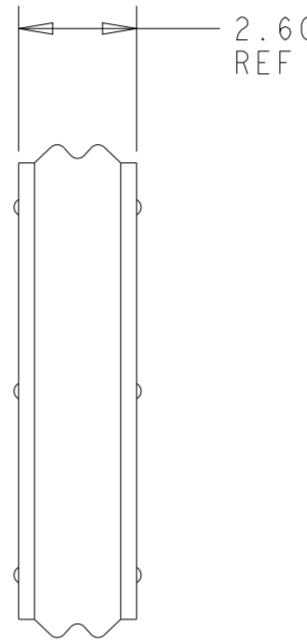
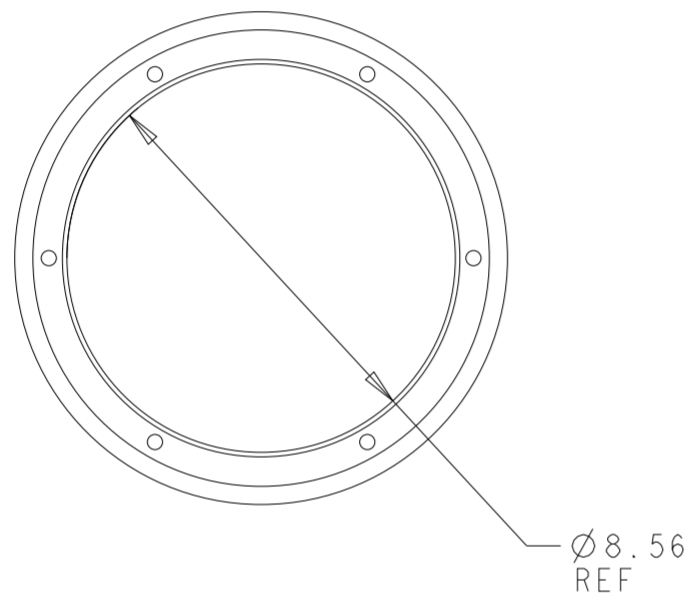


THIS DRAWING IS UNPUBLISHED. RELEASED FOR PUBLICATION 2018
 © COPYRIGHT 2018 BY TE CONNECTIVITY ALL RIGHTS RESERVED.

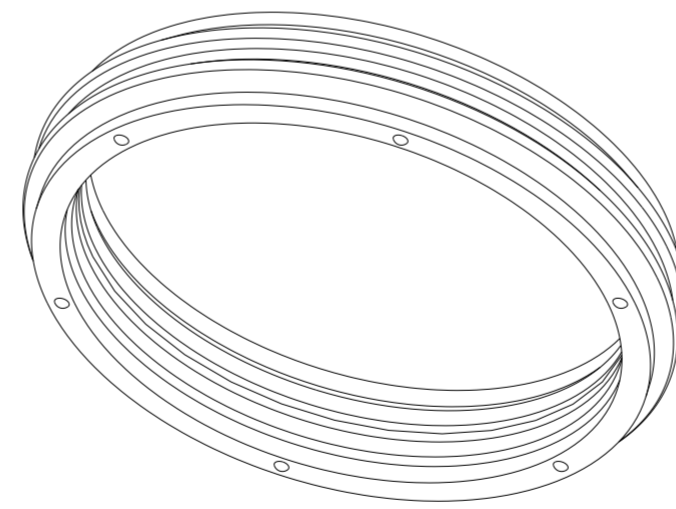
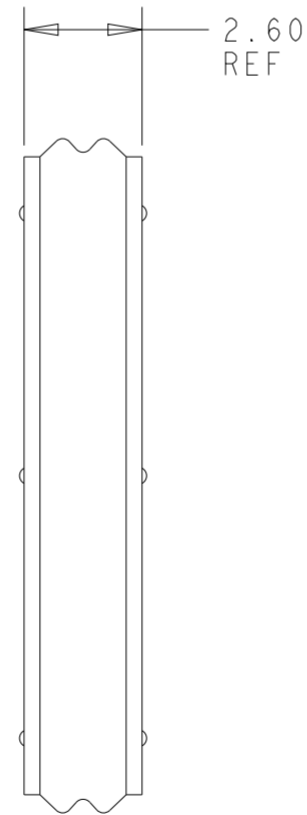
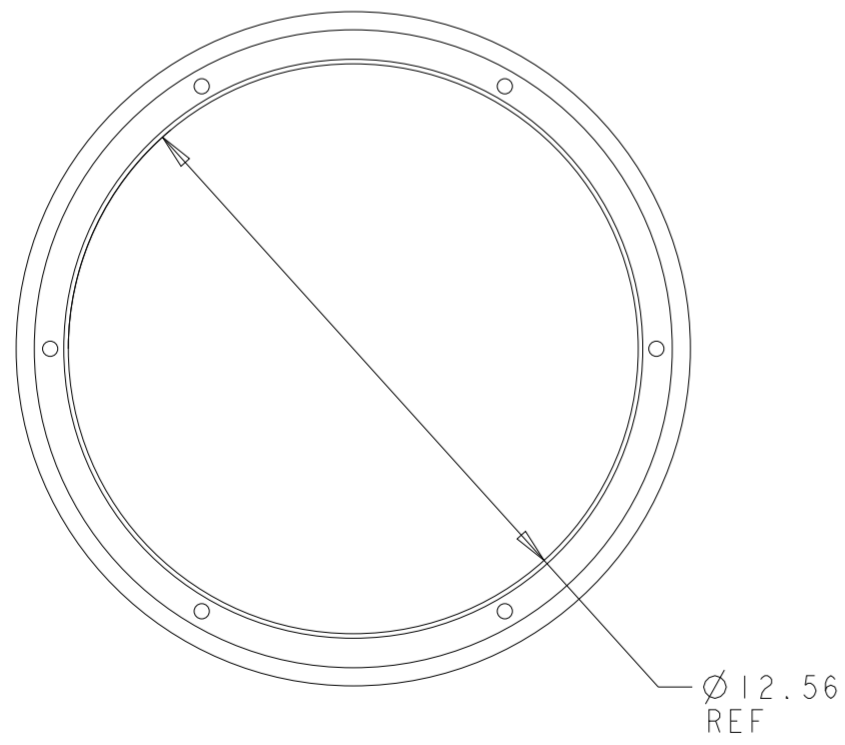
| REVISIONS | | | | |
|-----------|-----|----------------------------|-----------|-------|
| P | LTR | DESCRIPTION | DATE | APVD |
| | A1 | RELEASED PER ECR-23-165119 | 10FEB2023 | MV DZ |
| | | | | |
| | | | | |



2*2 POSITION



2*3 POSITION



3*4 POSITION

- 1 MATERIAL: SILICONE RUBBER, INHERENTLY LUBRICATED
COLOR: BLUE
- 2. MATING PLUG HOUSING P/N'S: *-2329541-*
- 3 PRELIMINARY PART - NOT RELEASED FOR PRODUCTION
THIS PRODUCT HAS NOT COMPLETED QUALIFICATION TESTING
- 4 OBSOLETE PARTS

| | | | |
|---|-----------|---|-------------|
| 4 | 3*4 | 3 | 1-2329542-2 |
| 4 | 2*3 | 3 | 2329542-6 |
| | 2*2 | | 2329542-4 |
| | POSITIONS | | PART NUMBER |

| | | | | |
|--|----------|------------------------------------|---|--------------------|
| THIS DRAWING IS A CONTROLLED DOCUMENT. | | DWN B. WEAVER 02 JUL 2018 | TE Connectivity | |
| DIMENSIONS: mm | | CHK S. FERNANDES 02 JUL 2018 | | |
| TOLERANCES UNLESS OTHERWISE SPECIFIED: | | APVD C. YI 02 JUL 2018 | NAME PERIMETER SEAL, PLUG HOUSING, SDL 2.5 WATERPROOF | |
| 0 PLC ± | 1 PLC ± | PRODUCT SPEC 108-143069 | SIZE A2 | CAGE CODE 00779 |
| 2 PLC ± | 3 PLC ± | APPLICATION SPEC 114-143067 | DRAWING NO C-2329542 | RESTRICTED TO - |
| 4 PLC ± | ANGLES ± | WEIGHT - | SCALE 6:1 | SHEET 1 |
| FINISH - | | CUSTOMER DRAWING | REV A1 | |