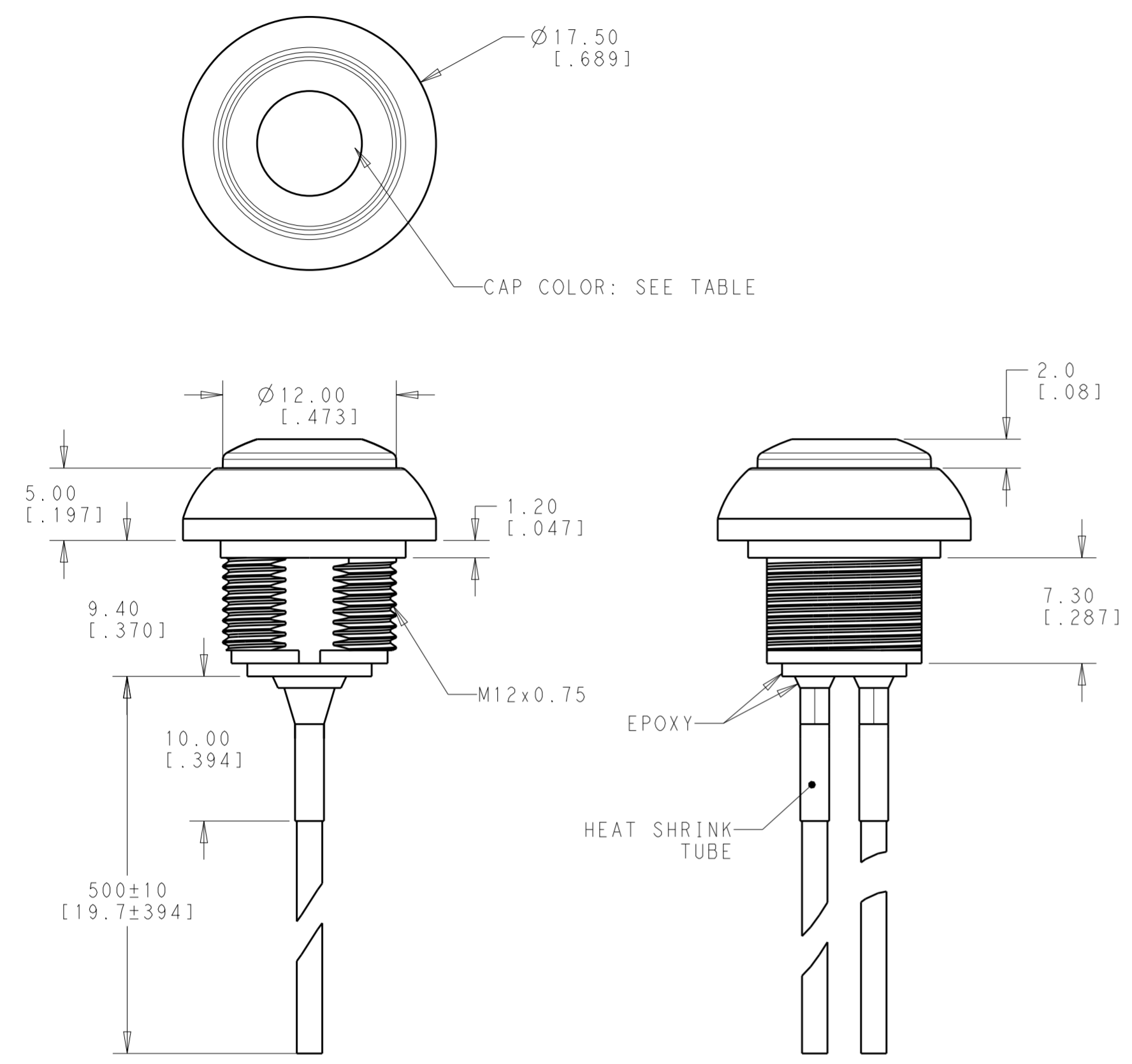


THIS DRAWING IS UNPUBLISHED. RELEASED FOR PUBLICATION
 © COPYRIGHT copyright.d8te- ALL RIGHTS RESERVED.

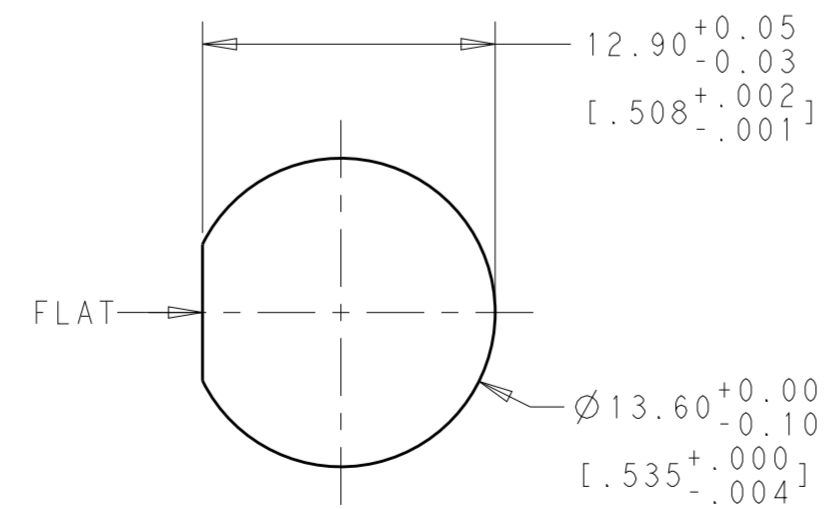
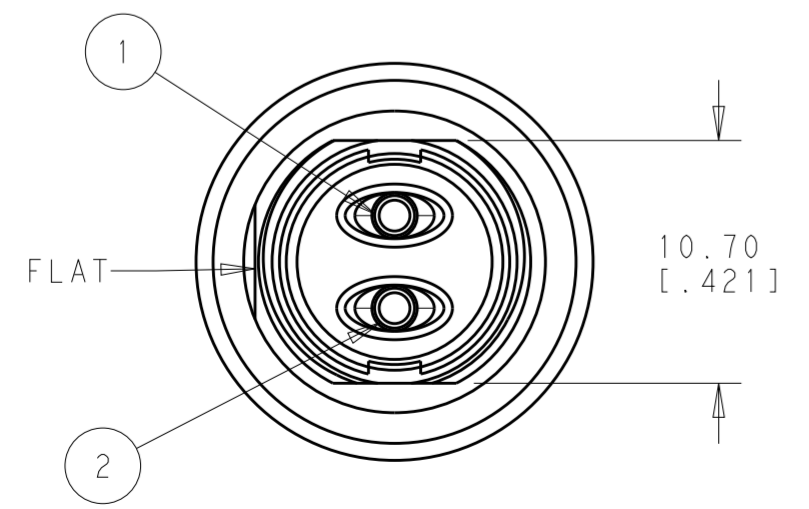
REVISIONS				
P	LTR	DESCRIPTION	DATE	APVD
2		REVISED TOLERANCE	20APR2018	JS AS

FLYING LEADS OFF - (ON)



Model No.	POS. 1	POS. 2
PB6	OFF	MOM(ON)
CONNECTED TERMINALS	OPEN	CLOSE
SCHEMATIC		

SWITCH FUNCTION



PANEL CUT-OUT
THICKNESS: 1.5mm~4.0mm
[0.059~.157]

SPECIFICATIONS:

MAXIMUM CURRENT/VOLTAGE RATING WITH RESISTIVE LOAD:
400mA 32VAC, 200mA 50VDC, 125mA 125VAC

INITIAL CONTACT RESISTANCE: 100mΩ MAXIMUM, RESISTANCE OF THE WIRE NOT INCLUDED.

INSULATION RESISTANCE: 1 GΩ MINIMUM AT 500 VDC

DIELECTRIC STRENGTH: 1,500 VAC RMS

CONTACT BOUNCE: 10ms

ELECTRICAL LIFE AT FULL LOAD: 500,000 CYCLES

MECHANICAL LIFE: 1,000,000 CYCLES

TOTAL TRAVEL: 1.5 (.059)

ACTUATION FORCE: 3 TO 6N

OPERATING TEMPERATURE: -30° TO 85° C

DEGREE OF PROTECTION: IP68, 1 HOUR @ 1 METER

TORQUE: 0.5N·m MAXIMUM APPLIED TO NUT

MATERIALS:

CAP: POLYAMIDE 6/6

PLUNGER: POLYAMIDE 6/6 OR POLYCARBONATE

RUBBER: SILICONE

BUSHING: POLYAMIDE 6/6

CASE: DIALLYL PHTHALATE (DAP) (UL94 V-0)

TERMINALS/CONTACTS: COPPER ALLOY, GOLD OVER SILVER PLATED

HEX NUT: BRASS, NICKEL PLATED (1)

LOCK WASHER: BRASS, NICKEL PLATED (1)

O-RING: SILICONE (1)

WIRE: UL 3385, 20 AWG, SECTION 0.6mm²

SPRING: STEEL

HEAT SHRINK TUBE: POLYOLEFIN

PACKAGING:

SWITCHES ARE BUNDLED. HARDWARE IS NOT ASSEMBLED TO THE SWITCH.

COMPLIANCE:

ALL MATERIALS AND FINISHES SHALL COMPLY WITH EU DIRECTIVE 2002/95/EC OF 27JAN2003(ROHS)

SOLDER PROCESSING:

MANUAL SOLDERING: SOLDER IRON, 30 WATTS, CONTROLLED AT 350° C, APPROXIMATELY 5 SECONDS WHILE APPLYING SOLDER.

- HARDWARE IS SHIPPED UNASSEMBLED.

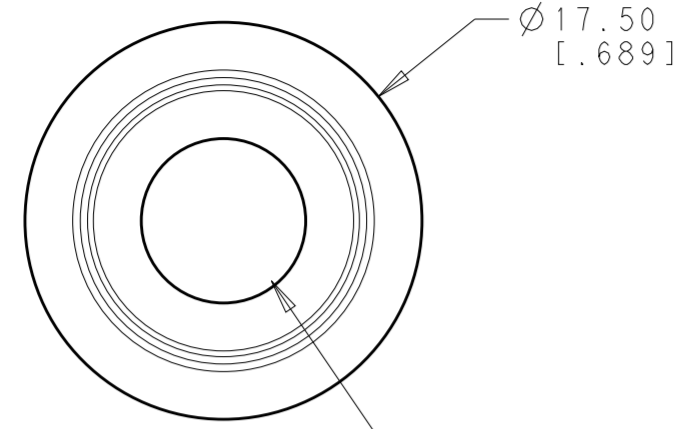
NO.	DESCRIPTION	WIRE COLOR
2	TERMINAL 2	BLACK
1	TERMINAL 1	BLACK

THIS DRAWING IS A CONTROLLED DOCUMENT.		DWN RAVLS 22FEB2018	TE Connectivity	
DIMENSIONS: mm [INCHES]		CHK ALEXANDER SHARPE 22FEB2018		
TOLERANCES UNLESS OTHERWISE SPECIFIED:		APVD ALEXANDER SHARPE 22FEB2018	NAME SWITCH, PUSHBUTTON, FLAT CAP NO LED, FLYING LEADS WITH HEAT SHRINK, SEALED, OFF-(ON) AND ON-(OFF)	
0 PLC ±		PRODUCT SPEC	SIZE CAGE CODE DRAWING NO	
1 PLC ±0.4 [.016]		APPLICATION SPEC	A200779 C-2329386	
2 PLC ±0.25 [.010]		WEIGHT	RESTRICTED TO	
3 PLC ±		CUSTOMER DRAWING	SCALE 3:2 SHEET 1 OF 3 REV 2	
4 PLC ±				
ANGLES ±5°				
FINISH				

THIS DRAWING IS UNPUBLISHED. RELEASED FOR PUBLICATION
 © COPYRIGHT copyright.d8te- ALL RIGHTS RESERVED.

FLYING LEADS ON-(OFF)

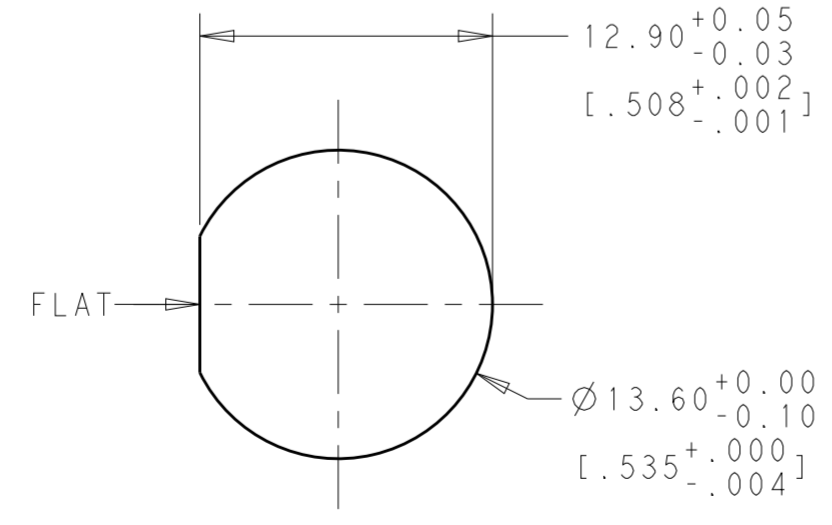
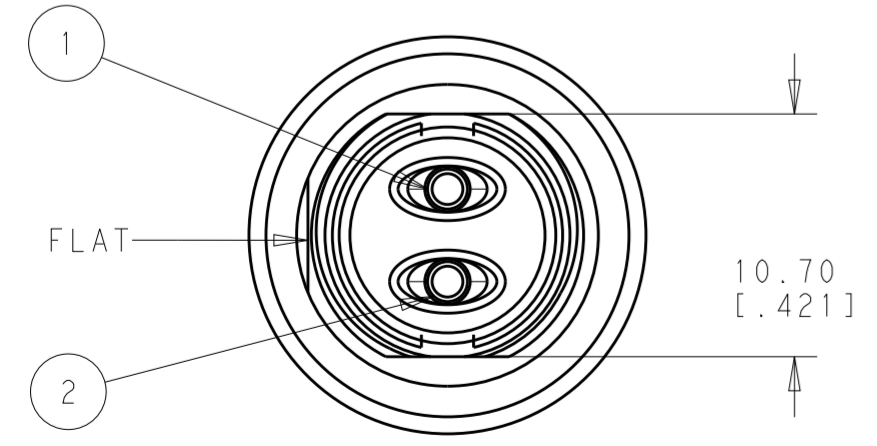
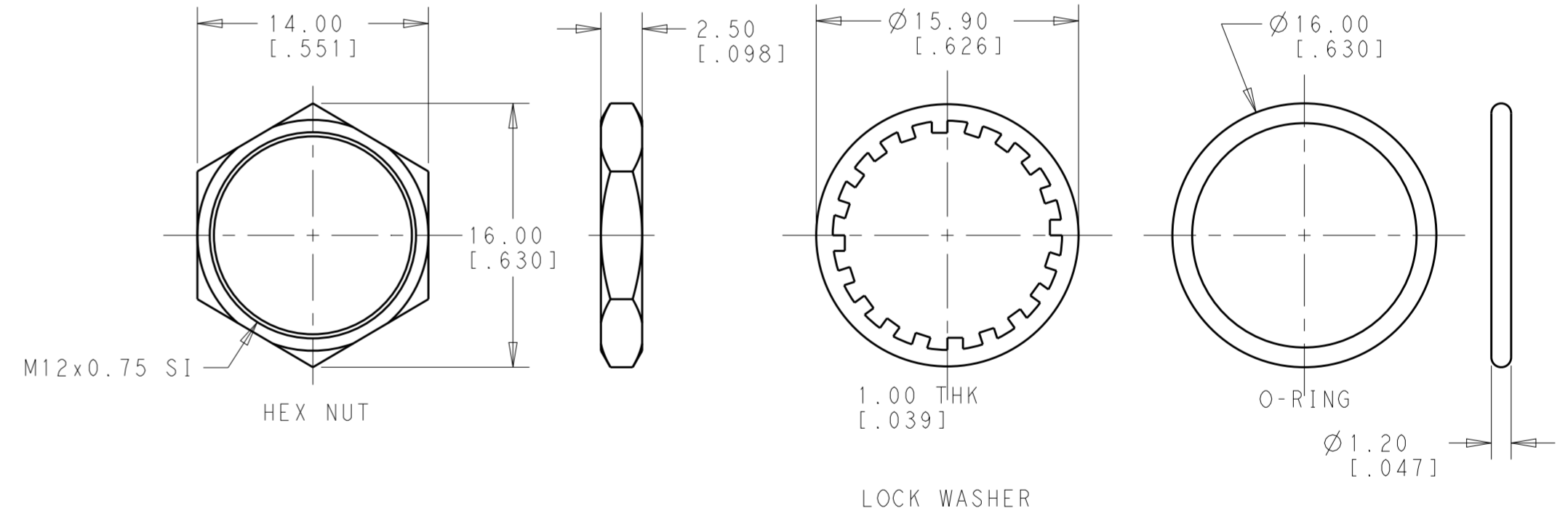
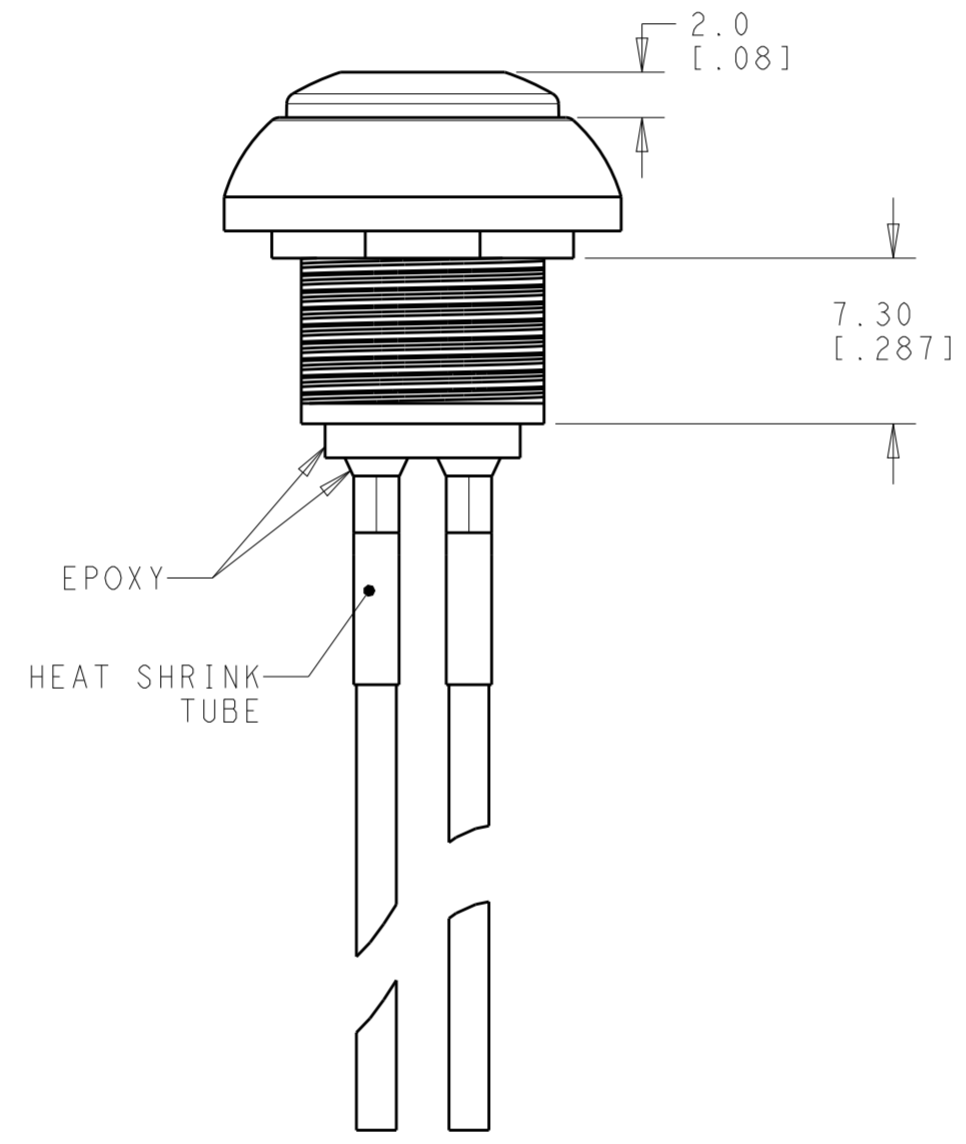
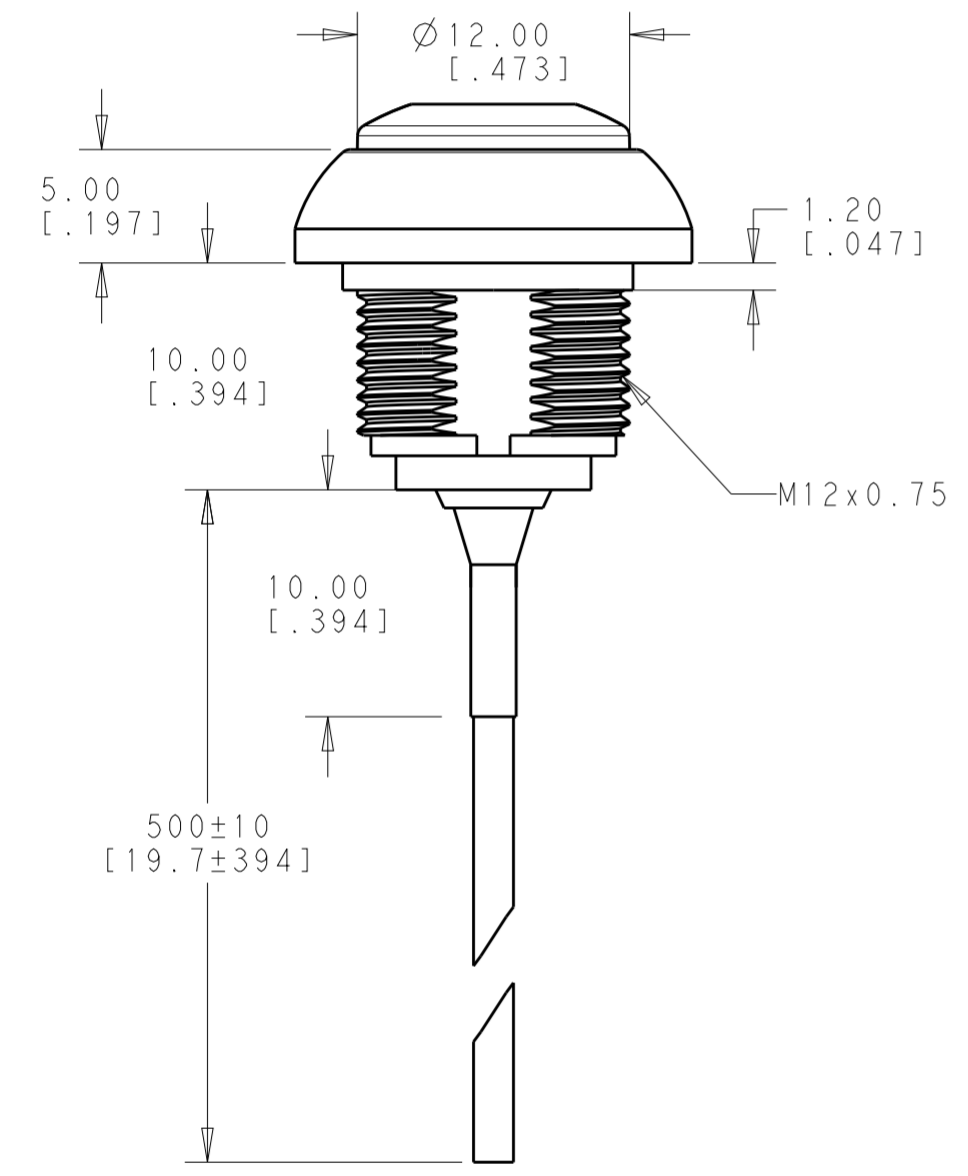
REVISIONS				
P	LTR	DESCRIPTION	DATE	APVD
-		SEE SHEET 1	-	-



CAP COLOR: SEE TABLE

Model No.	POS. 1	POS. 2
PB7	ON	MOM(OFF)
CONNECTED TERMINALS	CLOSE	OPEN
SCHEMATIC		

SWITCH FUNCTION



PANEL CUT-OUT
THICKNESS: 1.5mm~4.0mm
[.059~.157]

NO.	DESCRIPTION	WIRE COLOR
2	TERMINAL 2	BLACK
1	TERMINAL 1	BLACK


THIS DRAWING IS A CONTROLLED DOCUMENT.		DWN: RAVLS 22FEB2018		TE Connectivity		
DIMENSIONS: mm [INCHES]		CHK: ALEXANDER SHARPE 22FEB2018		NAME: SWITCH, PUSHBUTTON, FLAT CAP NO LED, FLYING LEADS WITH HEAT SHRINK, SEALED, OFF-(ON) AND ON-(OFF)		
TOLERANCES UNLESS OTHERWISE SPECIFIED:		APVD: ALEXANDER SHARPE 22FEB2018		SIZE: A2 CAGE CODE: G-2329386		
0 PLC ±		PRODUCT SPEC: -		DRAWING NO: C-2329386		
1 PLC ±0.4 [.016]		APPLICATION SPEC: -	RESTRICTED TO: -			
2 PLC ±0.25 [.010]		WEIGHT: -	SCALE: 3:2 SHEET: 2 OF 3 REV: 2			
3 PLC ±		CUSTOMER DRAWING				
4 PLC ±						
ANGLES ±5°						
FINISH: -						

THIS DRAWING IS UNPUBLISHED. RELEASED FOR PUBLICATION
 © COPYRIGHT copyright.d8te ALL RIGHTS RESERVED.

REVISIONS				
P	LTR	DESCRIPTION	DATE	APVD
-		SEE SHEET 1	-	-

POLE	THROW	TERMINAL TYPE	CAP TYPE & COLOR	LED COLOR	TE DESCRIPTIVE PART NUMBER	PART NUMBER
SINGLE POLE	ON-(OFF) MOMENTARY	FLYING LEADS WITH HEAT SHRINK TUBE	FLAT, MATTE BLUE	N/A	PB7B2FM7M1CAL00Y500	1-2329386-0
			FLAT, MATTE GREEN	N/A	PB7B2FM6M1CAL00Y500	2329386-9
			FLAT, MATTE YELLOW	N/A	PB7B2FM5M1CAL00Y500	2329386-8
			FLAT, MATTE RED	N/A	PB7B2FM3M1CAL00Y500	2329386-7
			FLAT, MATTE BLACK	N/A	PB7B2FM2M1CAL00Y500	2329386-6
	OFF-(ON) MOMENTARY		FLAT, MATTE BLUE	N/A	PB6B2FM7M1CAL00Y500	2329386-5
			FLAT, MATTE GREEN	N/A	PB6B2FM6M1CAL00Y500	2329386-4
			FLAT, MATTE YELLOW	N/A	PB6B2FM5M1CAL00Y500	2329386-3
			FLAT, MATTE RED	N/A	PB6B2FM3M1CAL00Y500	2329386-2
			FLAT, MATTE BLACK	N/A	PB6B2FM2M1CAL00Y500	2329386-1

THIS DRAWING IS A CONTROLLED DOCUMENT.

DWN RAVLS 22FEB2018	 TE Connectivity NAME SWITCH, PUSHBUTTON, FLAT CAP NO LED, FLYING LEADS WITH HEAT SHRINK, SEALED, OFF-(ON) AND ON-(OFF)
CHK ALEXANDER SHARPE 22FEB2018	
APVD ALEXANDER SHARPE 22FEB2018	
PRODUCT SPEC -	
MATERIAL -	SIZE A200779
DIMENSIONS: mm [INCHES]	CAGE CODE C-2329386
TOLERANCES UNLESS OTHERWISE SPECIFIED: 0 PLC ± 1 PLC ±0.4 [.016] 2 PLC ±0.25 [.010] 3 PLC ± 4 PLC ± ANGLES ±5° FINISH	DRAWING NO -
WEIGHT -	RESTRICTED TO
CUSTOMER DRAWING	SCALE 3:2 SHEET 3 OF 3 REV 2