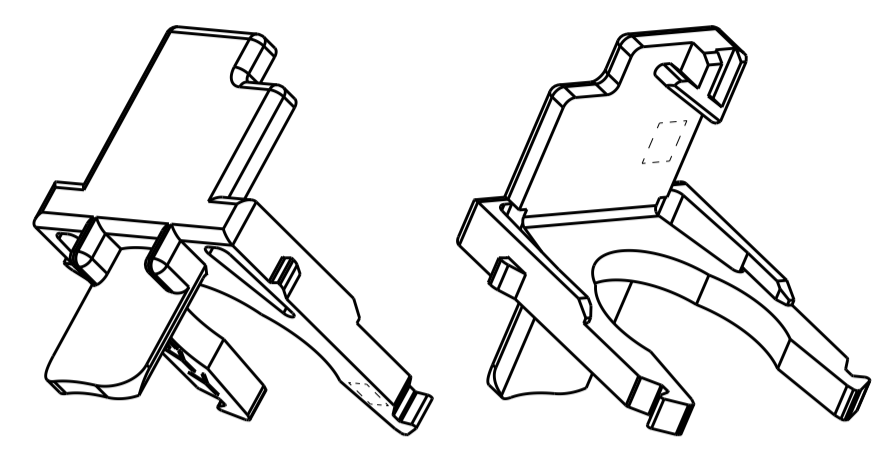
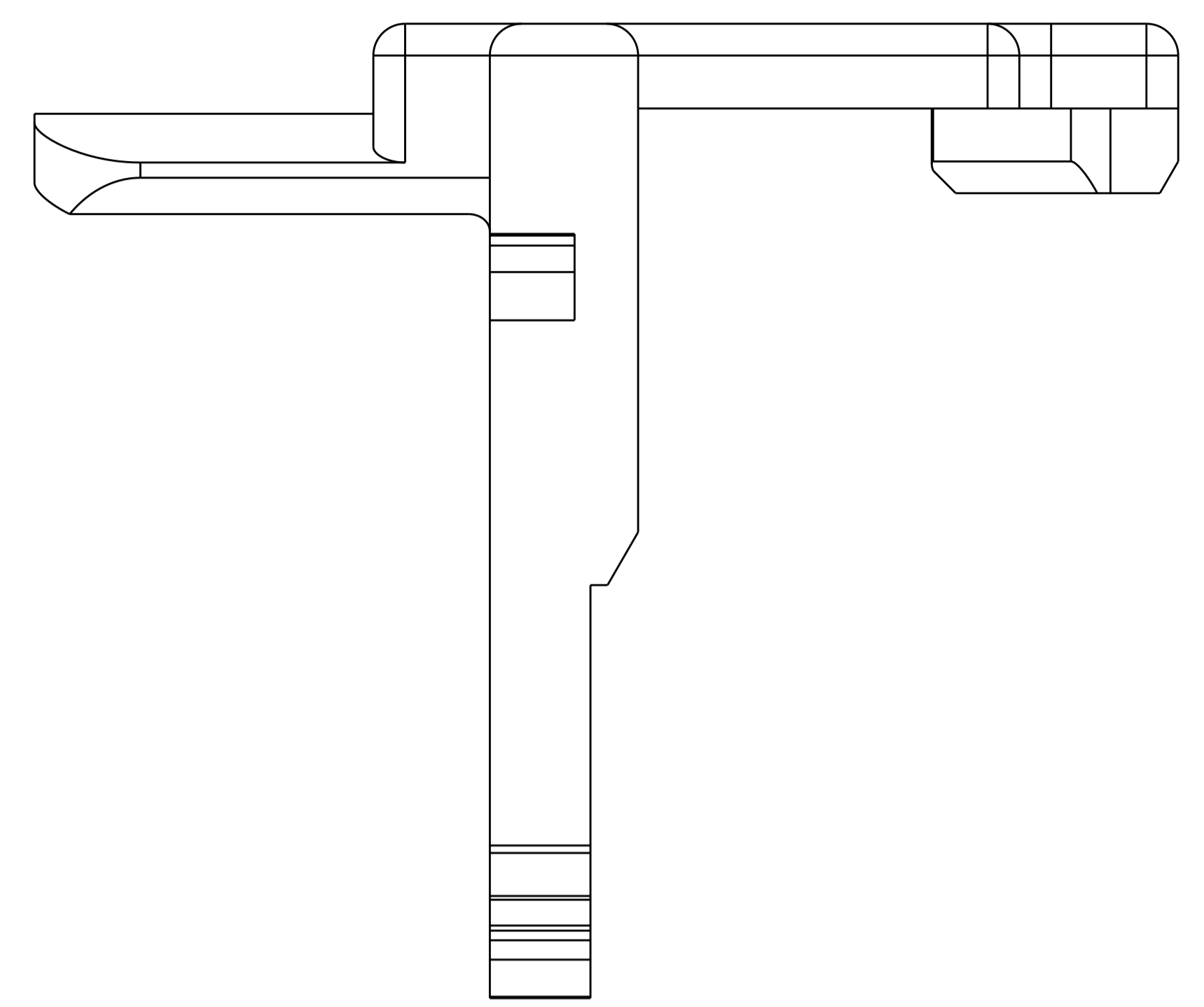
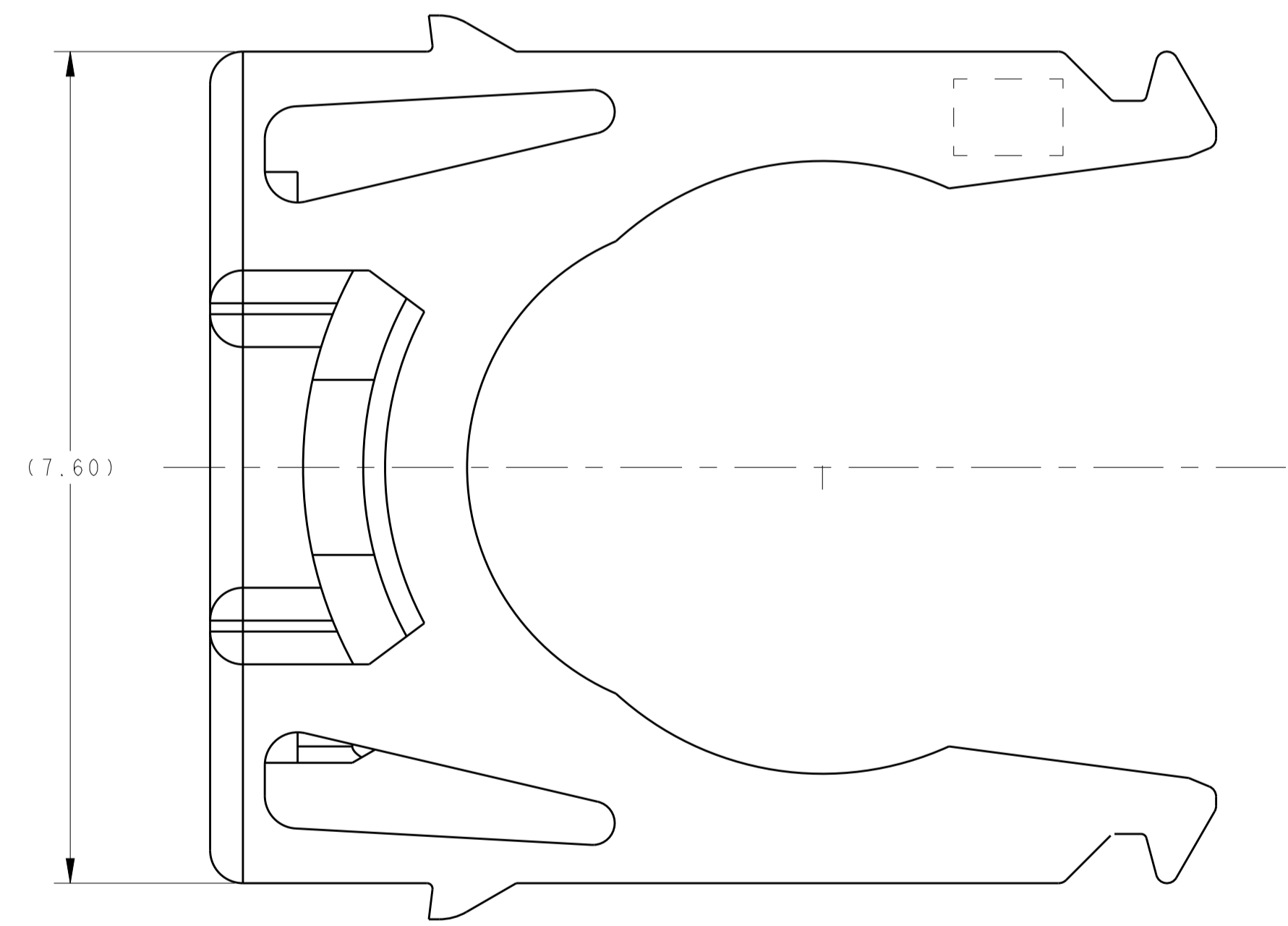


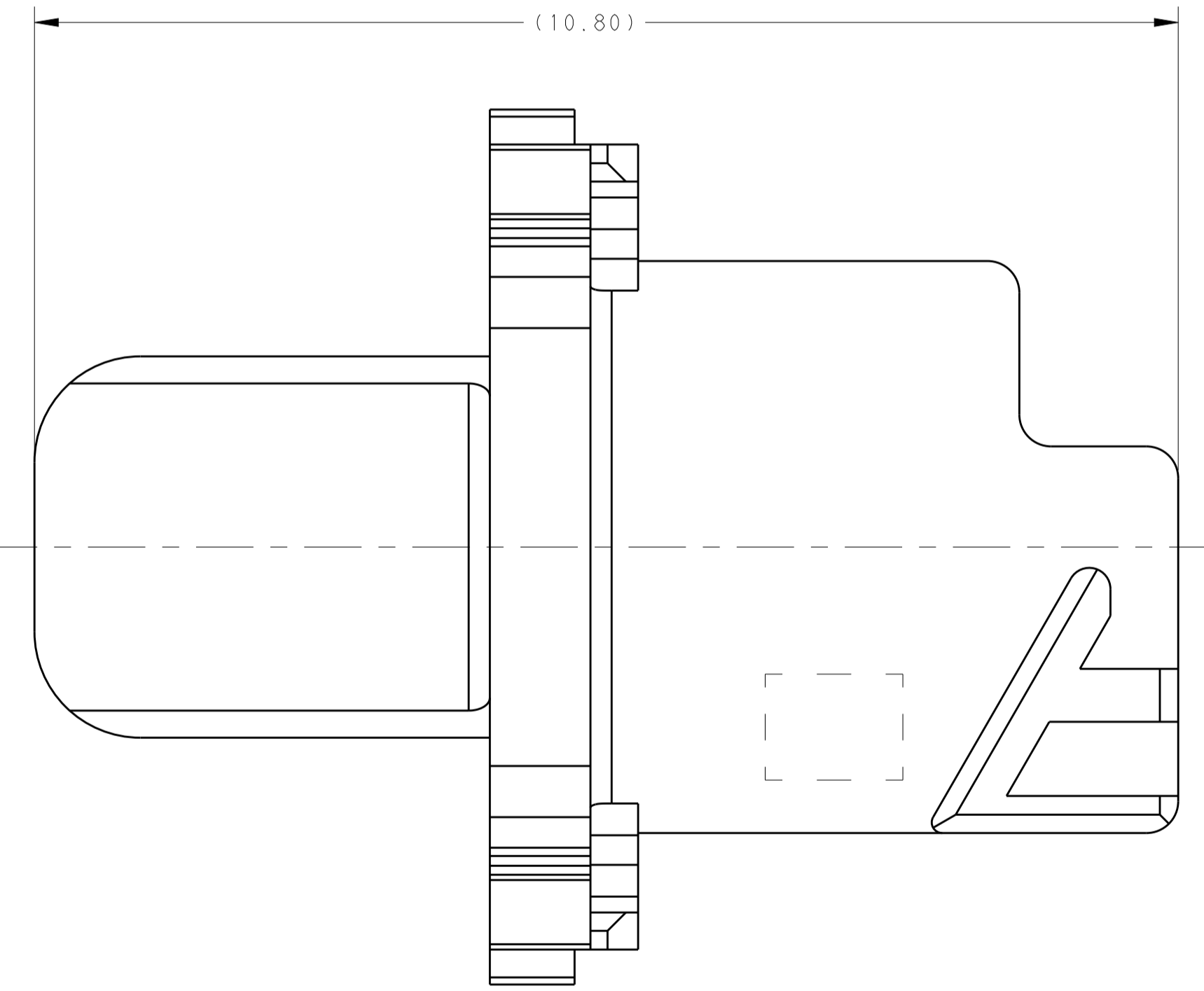
REVISIONS				
P.	LTN	DESCRIPTION	DATE	DWN APVD
A		INITIAL RELEASED	03NOV19	L.Y I.Y
A1		REVISED PER ECO-20-005746	21APR20	L.Y W.W



SCALE 5:1

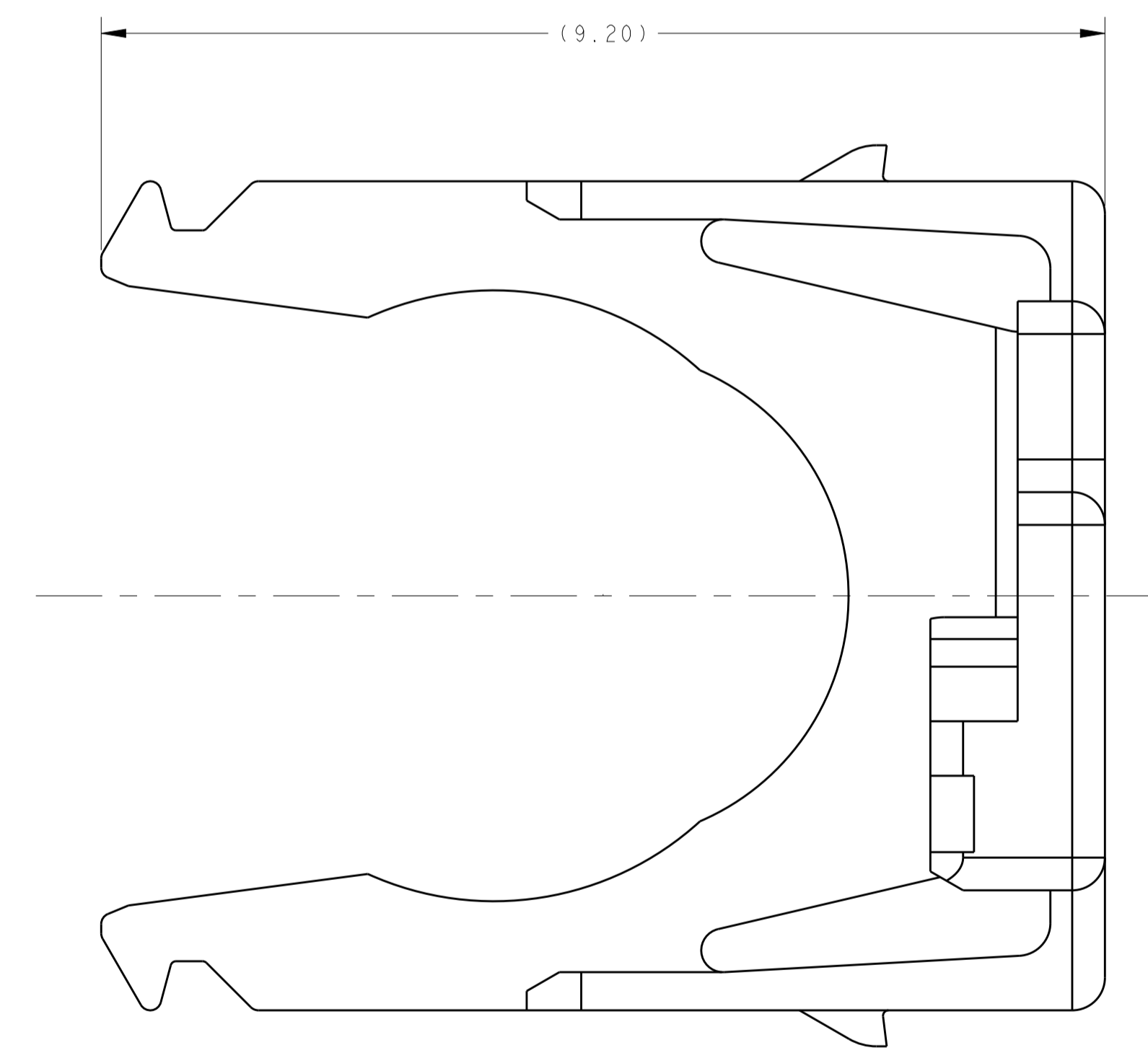


(7.60)



(10.80)

SCALE 20:1



(9.20)

⚠ MATERIAL, POLYESTER PBT, COLOR SEE TABLE.  
 A1 2. 2326897-1 IS SUZHOU VERSION OF 2312640-1. BOTH HAVE THE SAME PERFORMANCE, ALSO ARE MADE FROM THE SAME MOLDS AND THE SAME AUTOMATION MACHINE.

WATER BLUE	⚠	2312640-1	2326897-1
COLOR	MATERIAL	NA PART NUMBER	CHINA PART NUMBER

THIS DRAWING IS A CONTROLLED DOCUMENT.		DWN L. YANG 03NOV2019	TE Connectivity	
DIMENSIONS: mm		CHK F. PAN 03NOV2019		
TOLERANCES UNLESS OTHERWISE SPECIFIED:		APVD Y. IN 03NOV2019	NAME MALE SECONDARY LOCK 1 WAY, AUTOMATED FAKRA	
0 PLC ±	1 PLC ±	PRODUCT SPEC 108-32137	SIZE CAGE CODE DRAWING NO	
2 PLC ±	3 PLC ±	APPLICATION SPEC 114-32145	RESTRICTED TO	
4 PLC ±	ANGLES ±	WEIGHT	A1	SCALE 20:1 SHEET 1 OF 1 REV A1
MATERIAL	FINISH	CUSTOMER DRAWING		